



US00D426218S

United States Patent [19]

[11] Patent Number: **Des. 426,218**

Abed et al.

[45] Date of Patent: **** Jun. 6, 2000**

[54] **PORTABLE TELEPHONE DEVICE**

[75] Inventors: **Tark Abed**, Palo Alto; **Shawn Gary Hanna**, Woodside; **Tony Lillios**, Palo Alto; **Josh Willard Ferguson**, San Francisco, all of Calif.; **Midori Yonezawa**; **Tadamasa Hayakawa**, both of Tokyo, Japan

[73] Assignee: **Mitsubishi Denki Kabushiki Kaisha**, Tokyo, Japan

[**] Term: **14 Years**

[21] Appl. No.: **29/102,075**

[22] Filed: **Mar. 17, 1999**

[51] **LOC (7) Cl.** **14-03**

[52] **U.S. Cl.** **D14/138; D14/144**

[58] **Field of Search** D14/137, 218, D14/138, 144, 147-148, 247-249, 140-142, 250, 240, 100, 115, 106; 379/433, 434, 419, 420, 428, 440, 368; 455/550-575, 90; D13/168; D18/2, 7

[56] **References Cited**

U.S. PATENT DOCUMENTS

D. 298,945	12/1988	Kagayama et al.	D14/106
D. 330,194	10/1992	Izaki	D14/100
D. 349,511	8/1994	Sakaguchi et al.	D18/7
D. 353,828	12/1994	Miyahara et al.	D18/7
D. 356,105	3/1995	Miyahara et al.	D18/7
D. 362,865	10/1995	Komuta et al.	D18/2
D. 368,702	4/1996	Shimizu	D18/7
D. 389,838	1/1998	Brunner et al.	D14/218
D. 392,968	3/1998	Johansson	D14/144
D. 398,307	9/1998	Collins	D14/144
D. 404,021	1/1999	Nishida	D14/100
D. 409,161	5/1999	Hanafsa et al.	D14/100
D. 409,227	5/1999	Takahata et al.	D18/2

D. 413,597	7/1999	Oba	D14/144
D. 413,885	9/1999	Irimajiri et al.	D14/144
4,823,311	4/1989	Hunter et al.	D18/7 X
5,719,936	2/1998	Hillenmayer	379/428 X

OTHER PUBLICATIONS

Mobile Computing and Communications, Reader Service #14, Novatel wireless, Nov. 1997.

Primary Examiner—Jeffrey Asch
Attorney, Agent, or Firm—Oblon, Spivak, McClelland, Maier & Neustadt, P.C.

[57] **CLAIM**

The ornamental design for a portable telephone device, as shown and described.

DESCRIPTION

FIG. 1 is a front, top and right side perspective view of a portable telephone device including a handset and a personal data assistant, showing our new design;

FIG. 2 is a rear, bottom and left side perspective view thereof;

FIG. 3 is a front, top and right side perspective view of the handset in FIG. 1;

FIG. 4 is a rear, bottom and left side perspective view thereof;

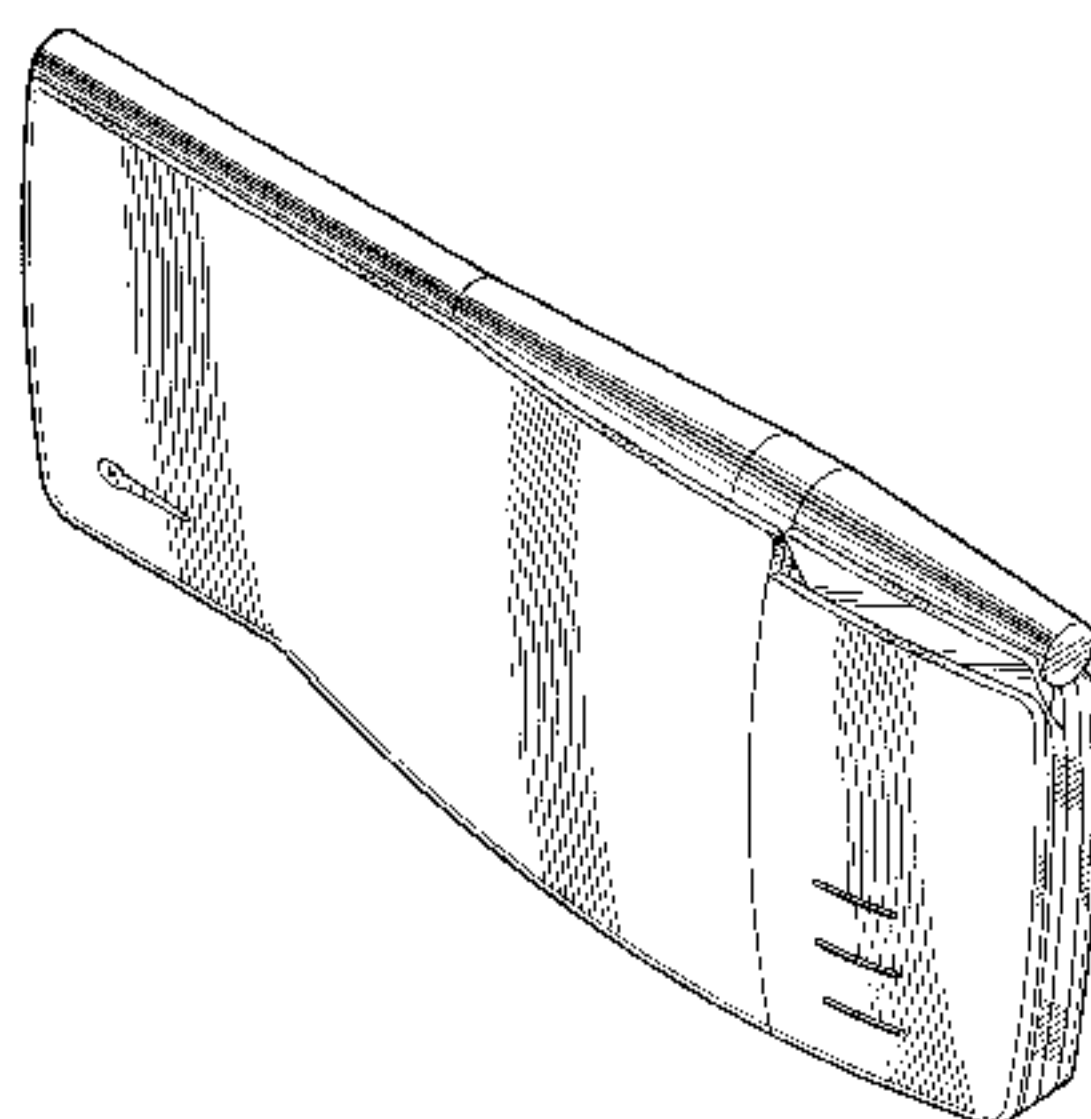
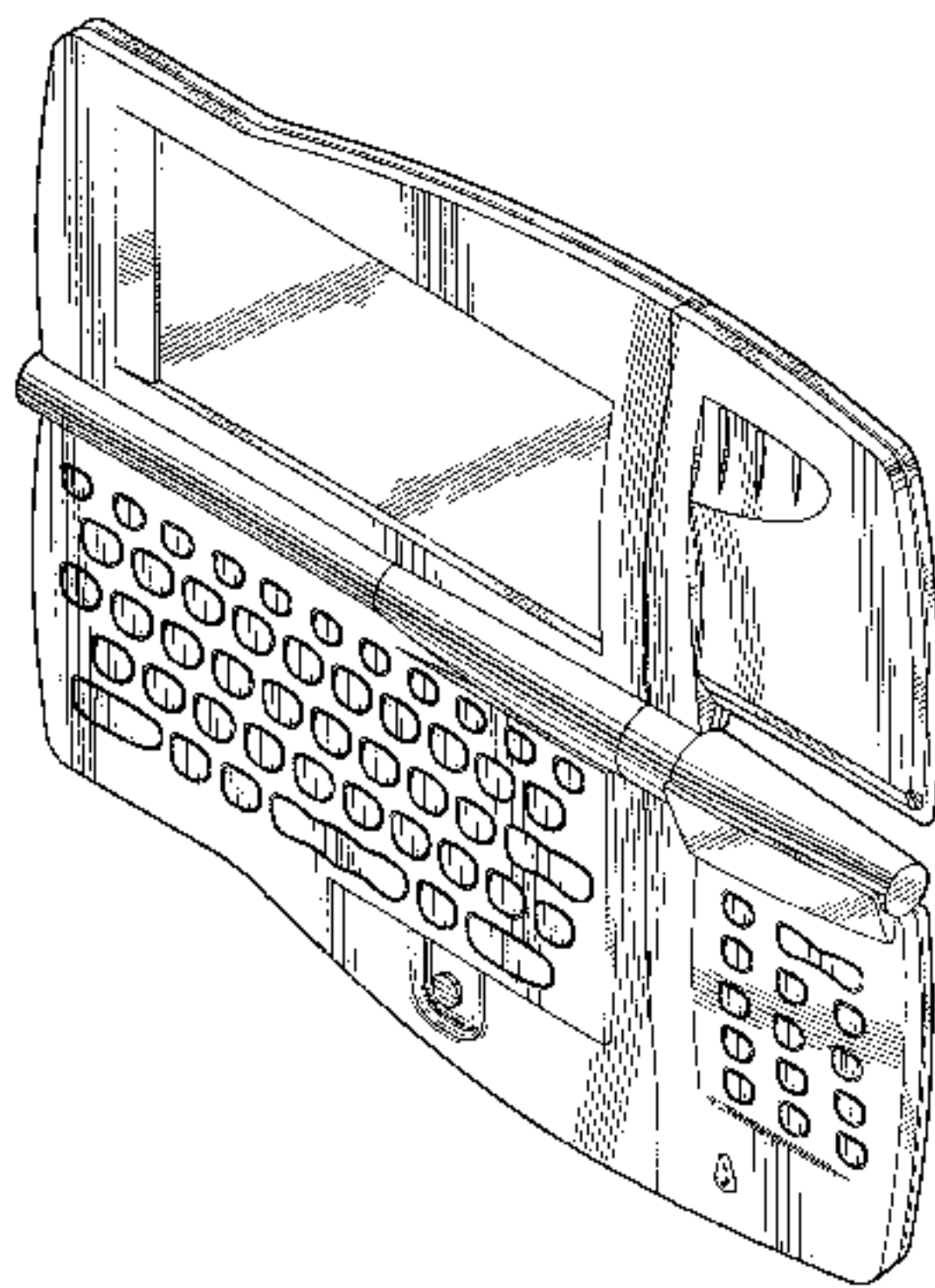
FIG. 5 is a front, top and right side perspective view of the personal data assistant in FIG. 1; and,

FIG. 6 is a front, top and right side perspective view of the portable telephone device in FIG. 1 in a closed state.

The personal data assistant and handset have been shown separately in FIGS. 3-5 for convenience and clarity of illustration.

The portions of the article not shown in the drawing or described in the specification form no part of the claimed design.

1 Claim, 6 Drawing Sheets



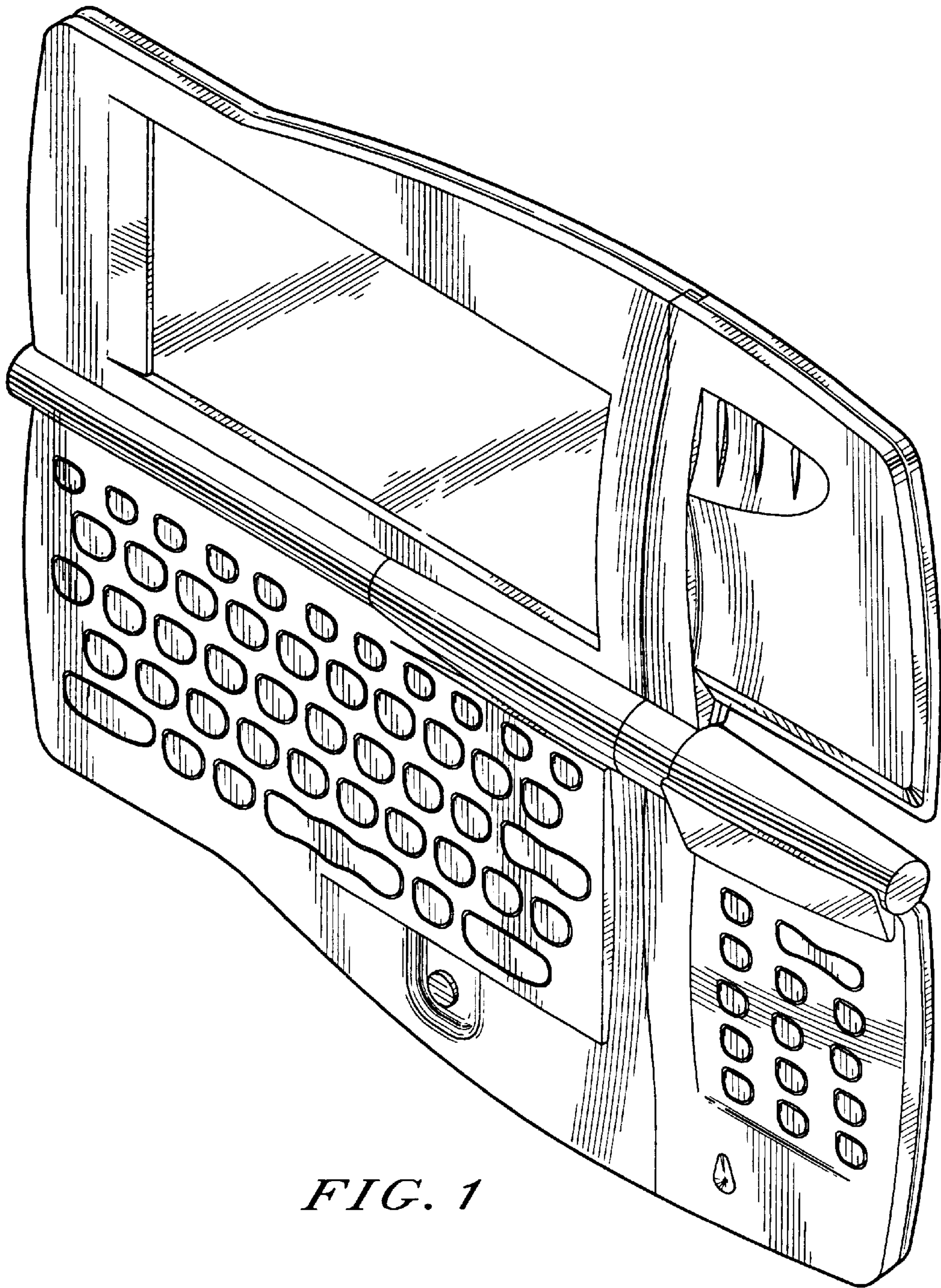


FIG. 1

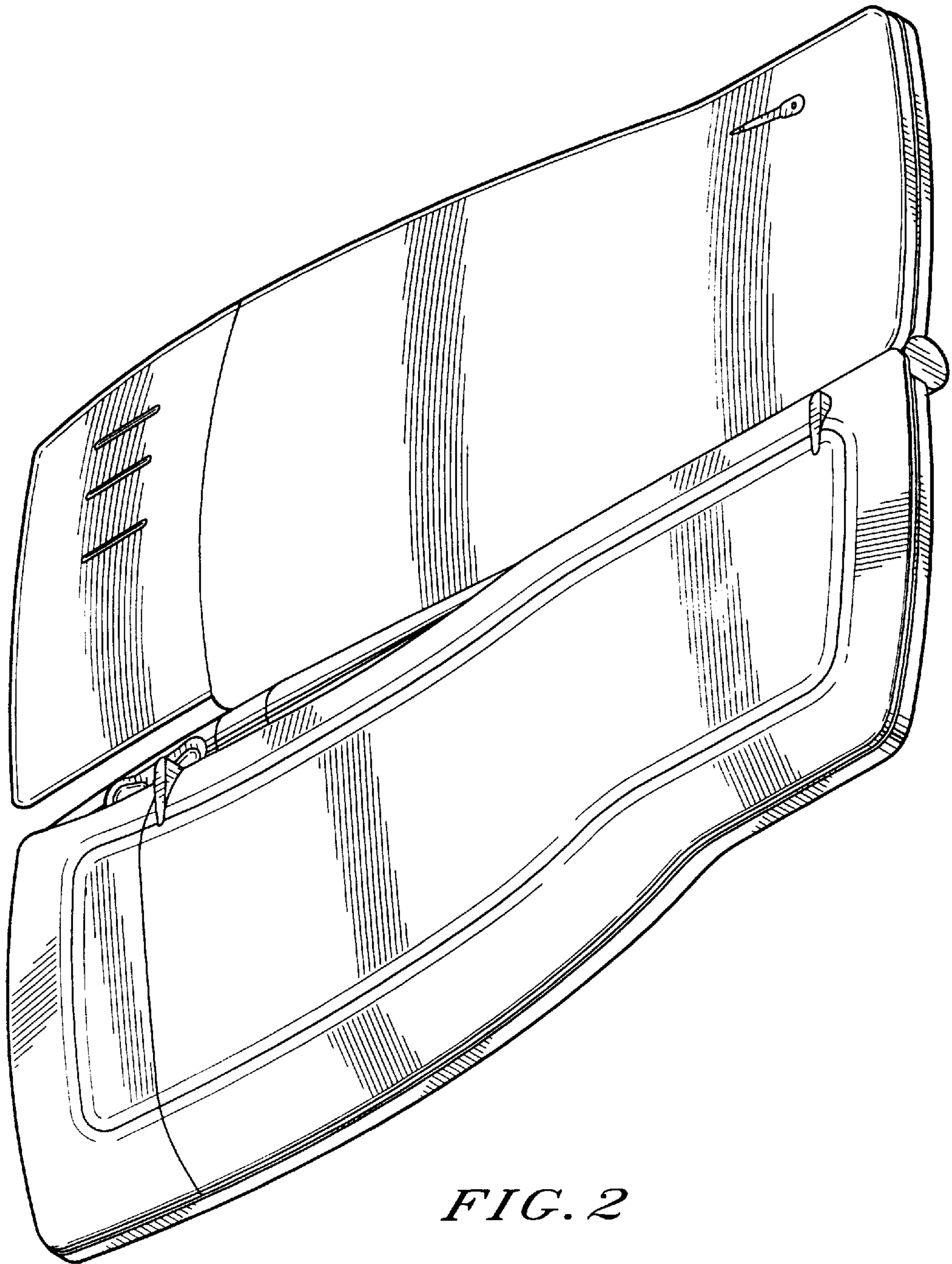


FIG. 2

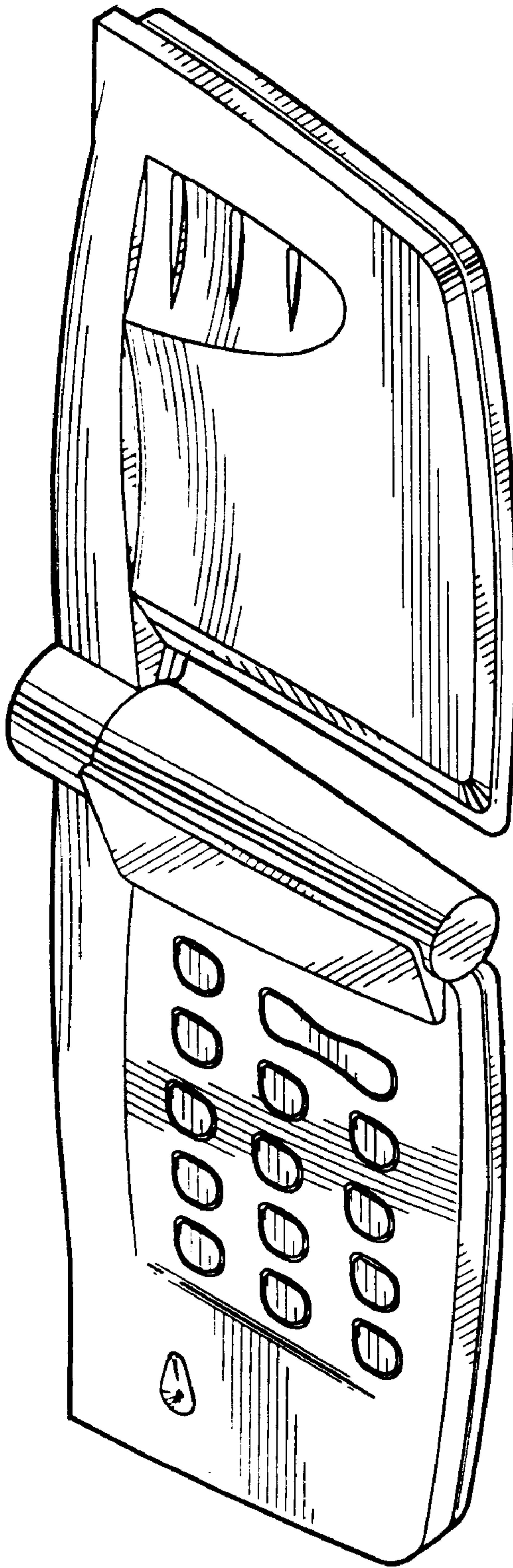


FIG. 3

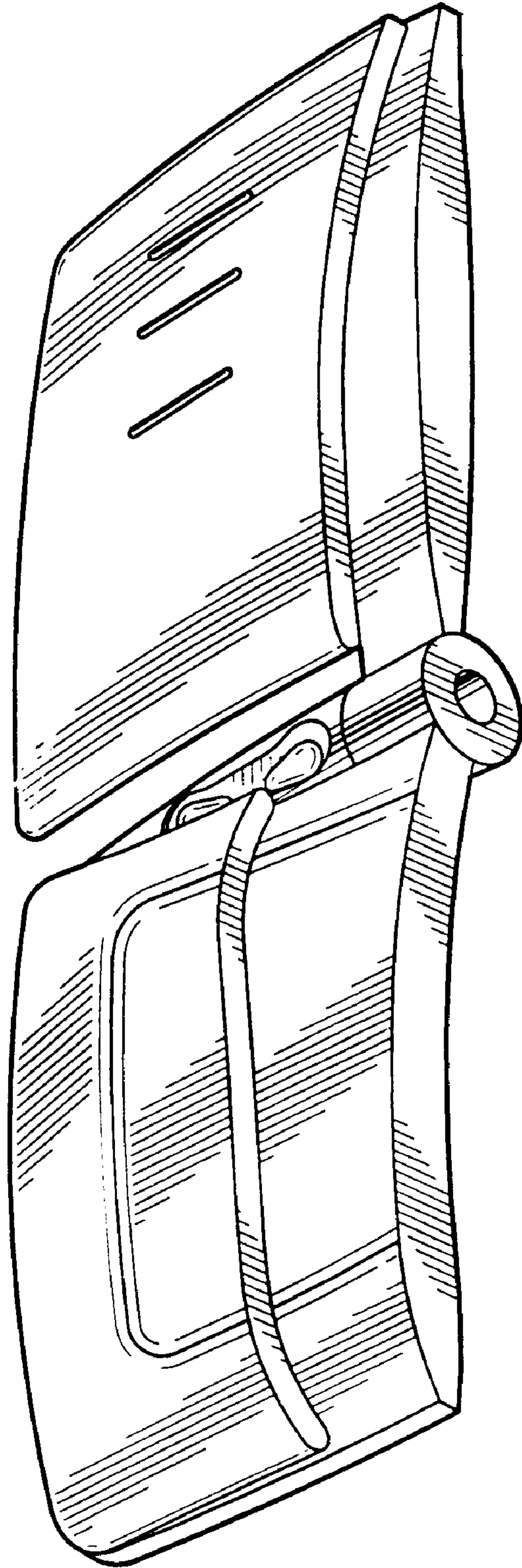


FIG. 4

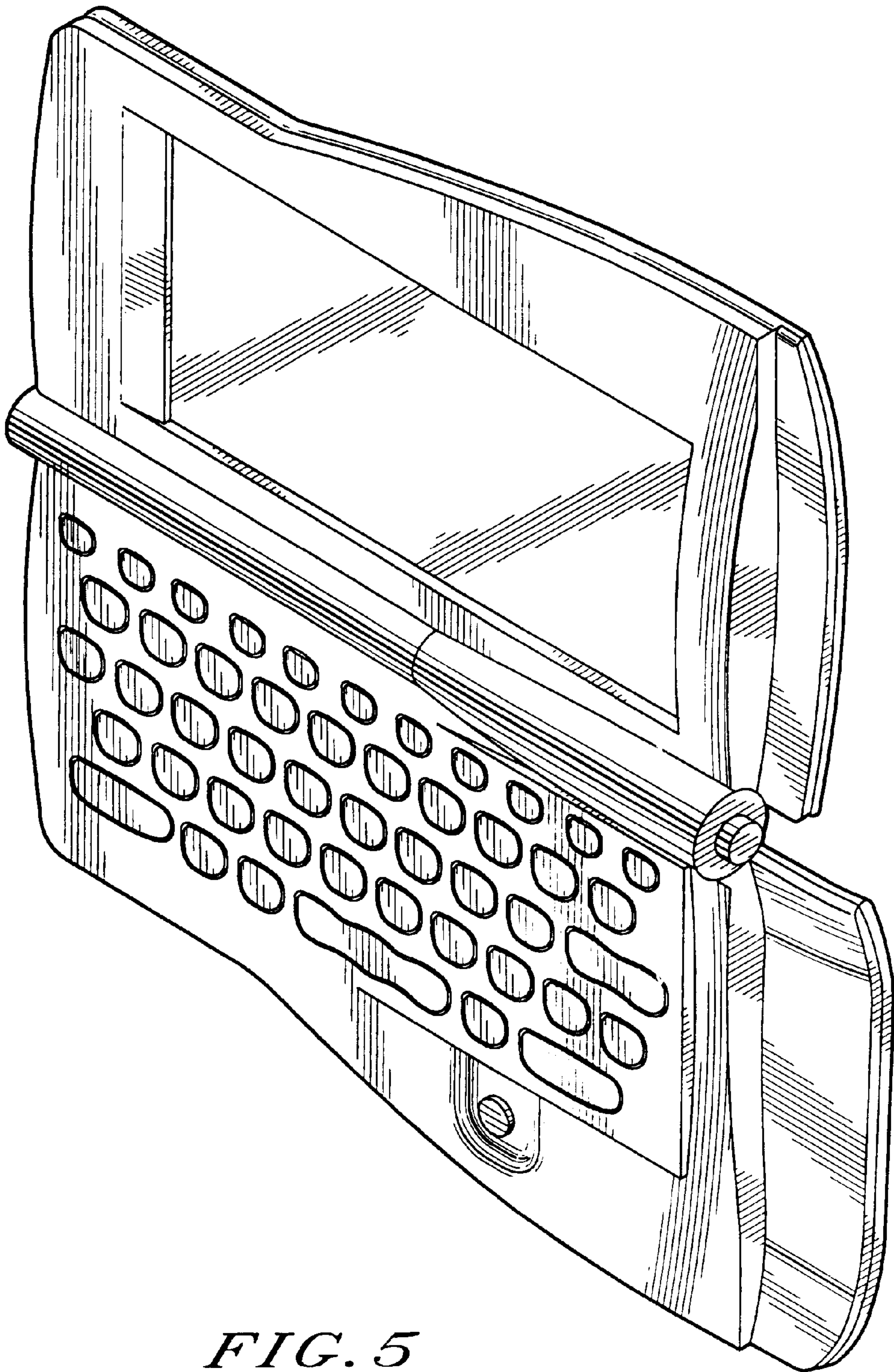


FIG. 5

FIG. 6

