



US00D426203S

United States Patent [19] Siegel

[11] **Patent Number: Des. 426,203**
[45] **Date of Patent: ** Jun. 6, 2000**

[54] **COMPACT DISC**

[75] Inventor: **Alan A. Siegel**, Orlando, Fla.

[73] Assignee: **Shape CD, Inc.**, Orlando, Fla.

[**] Term: **14 Years**

[21] Appl. No.: **29/093,713**

[22] Filed: **Sep. 17, 1998**

[51] **LOC (7) Cl.** **14-02**

[52] **U.S. Cl.** **D14/114; D14/121**

[58] **Field of Search** D14/120, 121,
D14/136, 156, 164, 114; D21/324, 332;
242/348-348.4, 335; 360/132, 133, 135,
900; 206/307, 308.1, 308.2, 308.3; 369/275.1-275.4,
280, 281, 287, 288, 292

[56] **References Cited**

U.S. PATENT DOCUMENTS

D. 193,785	10/1962	Campbell et al.	D14/121
D. 231,470	4/1974	Klepa et al.	D14/114
D. 394,648	5/1998	Rohde	D14/121
3,495,839	2/1970	Kelly	369/280 X
4,091,454	5/1978	Kauffman	360/135
4,486,496	12/1984	Dezawa et al.	360/135 X
5,043,974	8/1991	Nakagawa	369/291
5,717,682	2/1998	Nomoto	36/275.4
5,852,598	12/1998	Wiest	369/291 X
5,882,555	3/1999	Rohde et al.	369/280 X

Primary Examiner—Prabhakar Deshmukh

1 Claim, 4 Drawing Sheets

Attorney, Agent, or Firm—Lackenbach Siegel Marzullo
Aronson & Greenspan P.C.

[57] **CLAIM**

The ornamental design for a compact disc, as shown and described.

DESCRIPTION

FIG. 1 is a front elevational view of a compact disc showing my new design;

FIG. 2 is a left side elevational view thereof;

FIG. 3 is a right side elevational view thereof;

FIG. 4 is a top plan view thereof;

FIG. 5 is a rear elevational view thereof;

FIG. 6 is a bottom plan view thereof;

FIG. 7 is a sectional view thereof, taken along line 7—7 of FIG. 1;

FIG. 8 is an enlarged fragmentary view thereof, taken along line 8—8 of FIG. 4;

FIG. 9 is a front elevational view of an alternate embodiment of my compact disc;

FIG. 10 is a left side elevational view thereof;

FIG. 11 is a right side elevational view thereof;

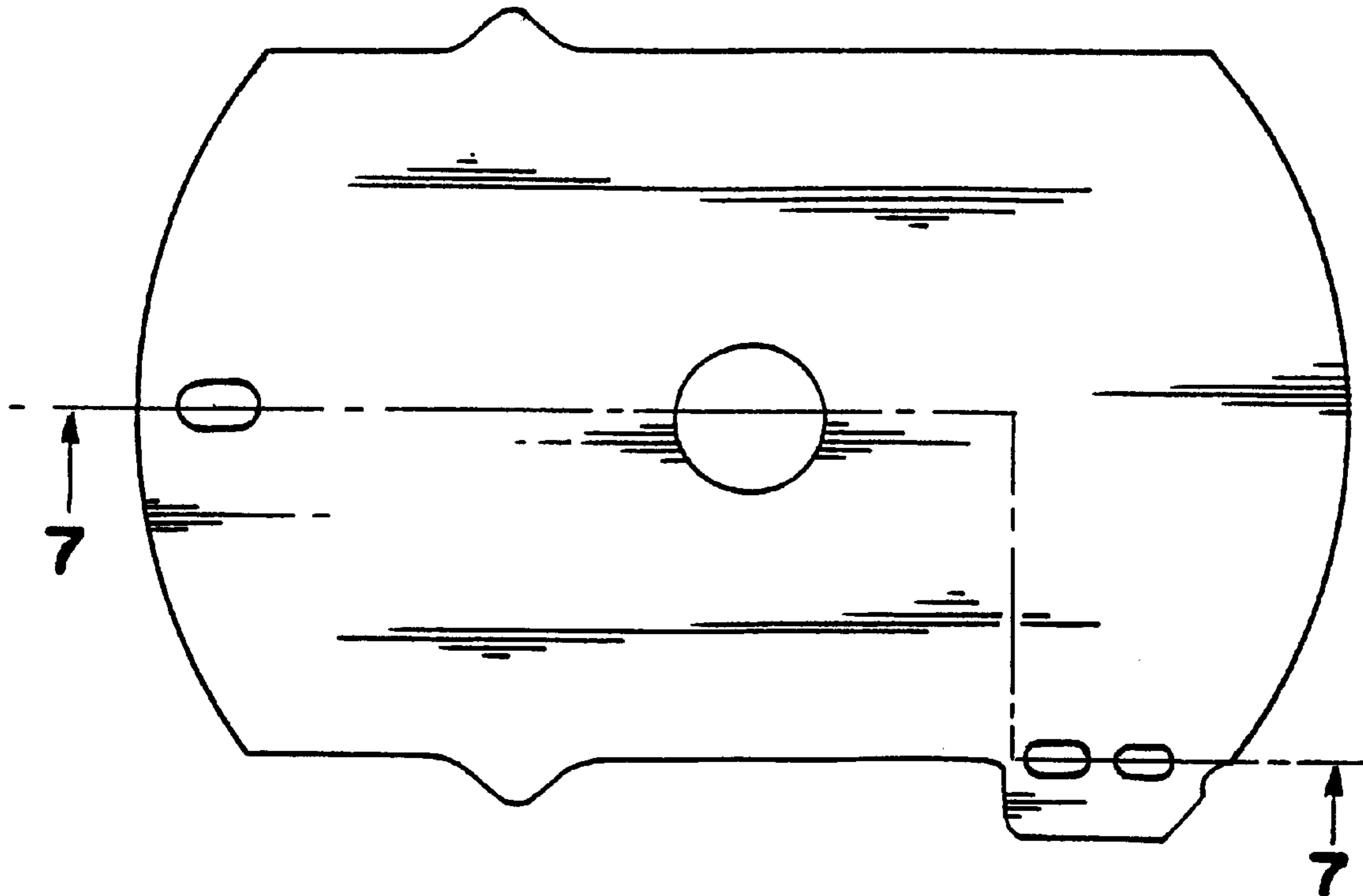
FIG. 12 is a top plan view thereof;

FIG. 13 is a rear elevational view thereof;

FIG. 14 is a bottom plan view thereof;

FIG. 15 is a sectional view thereof, taken along line 15—15 of FIG. 9; and,

FIG. 16 is an enlarged, fragmentary view thereof, taken along line 16—16 of FIG. 12.



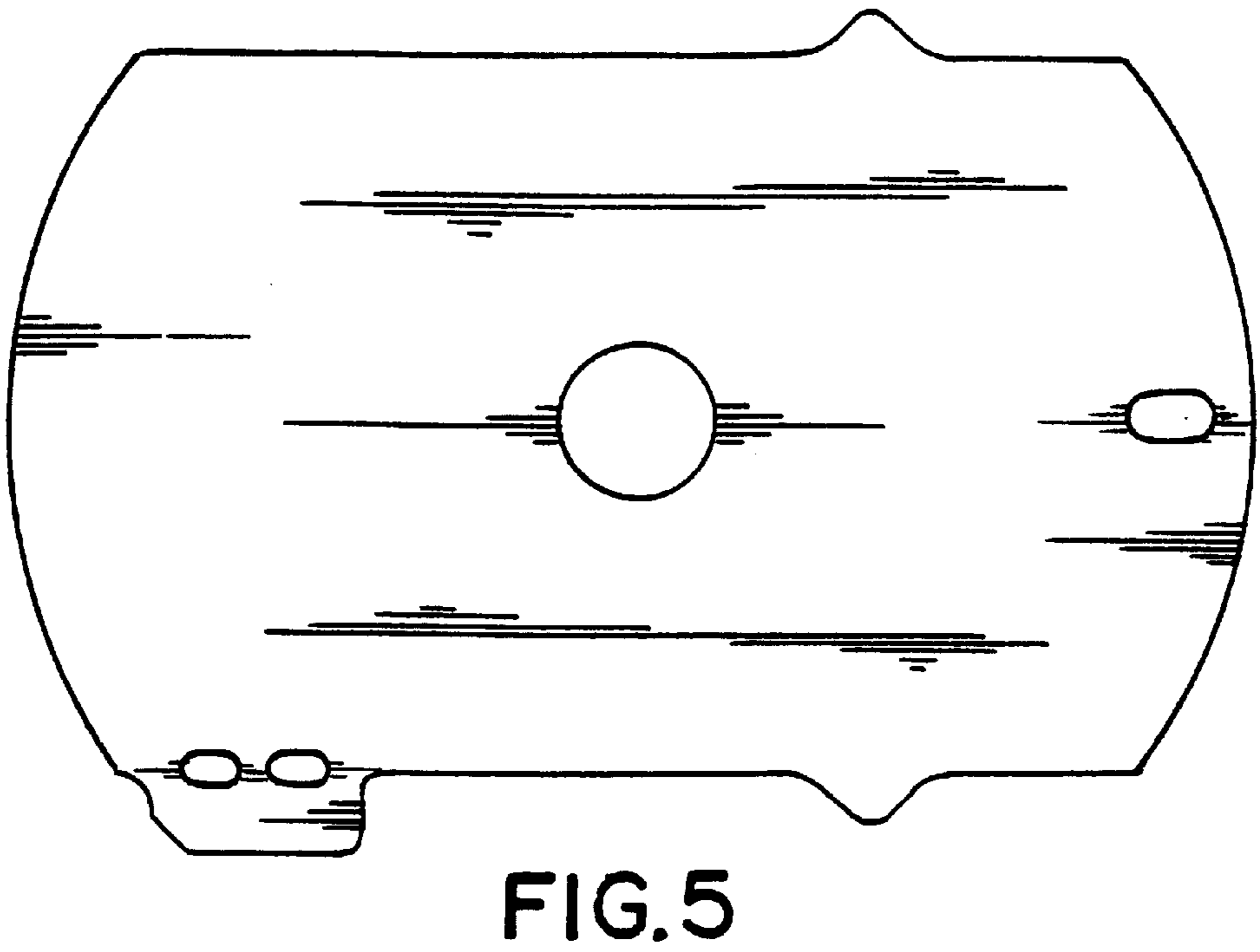
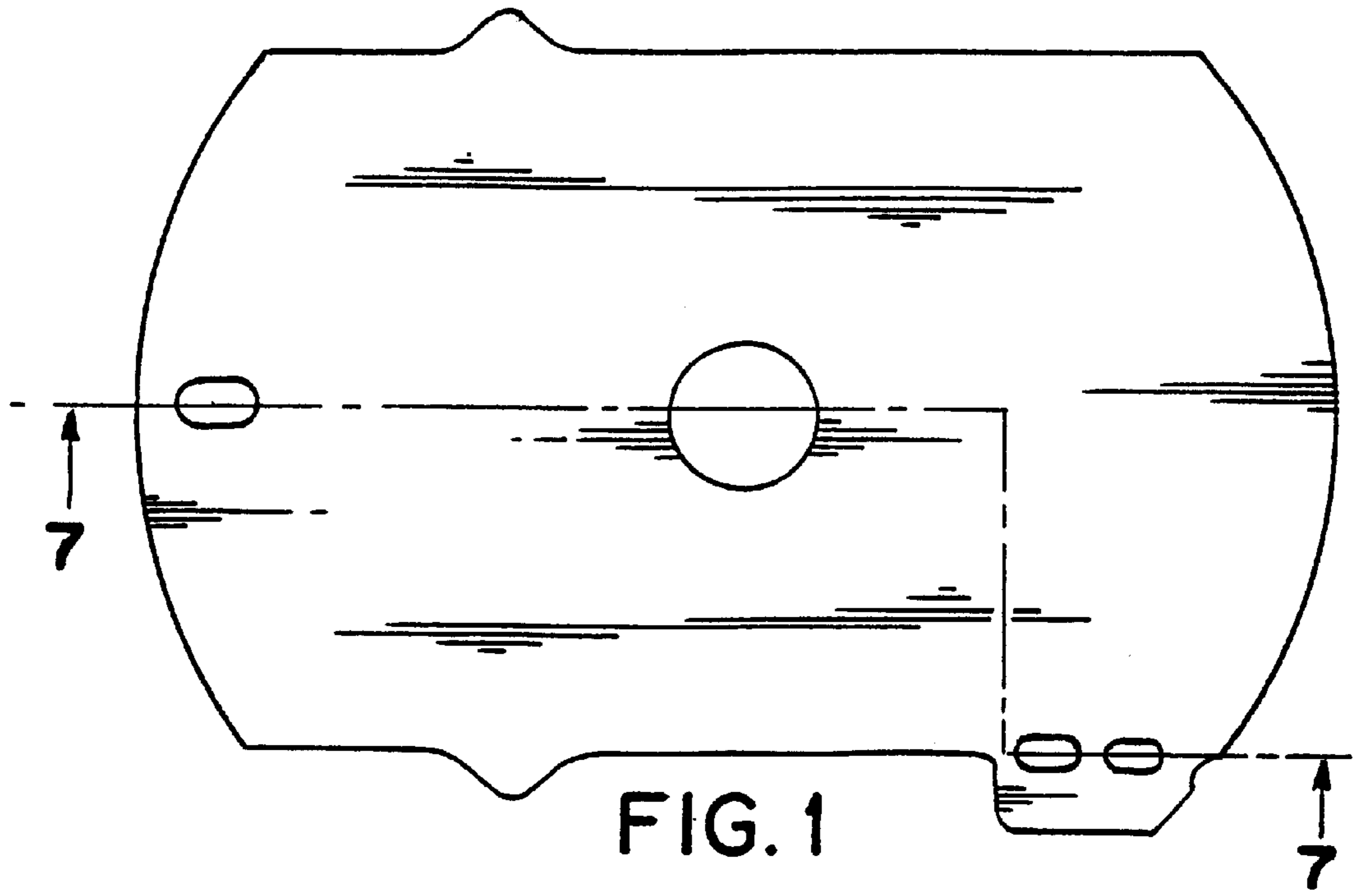




FIG. 2



FIG. 3

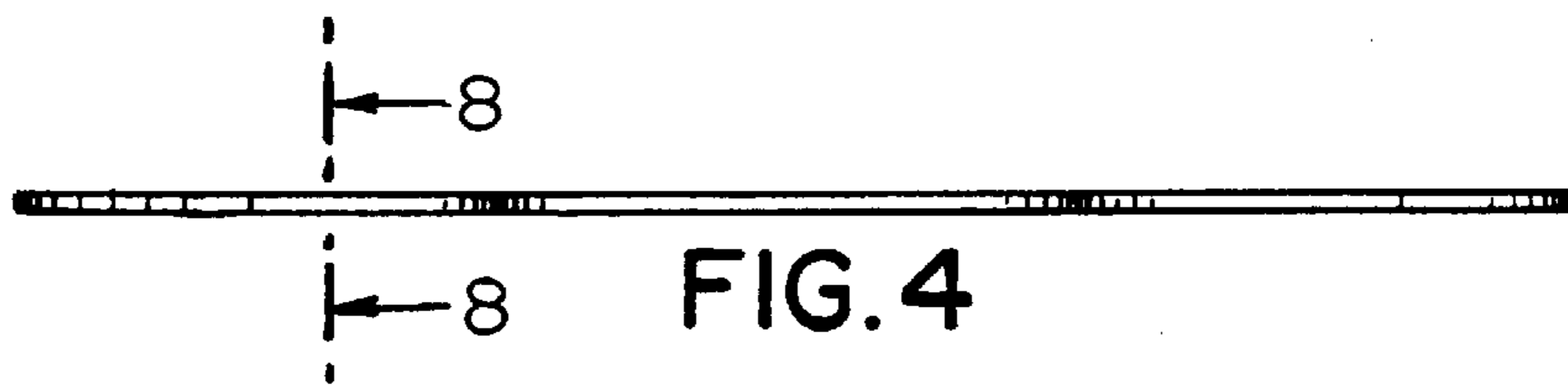


FIG. 4

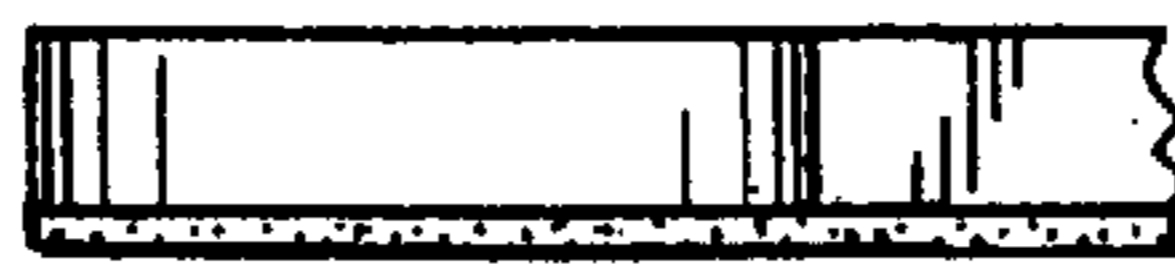


FIG. 8



FIG. 6



FIG. 7

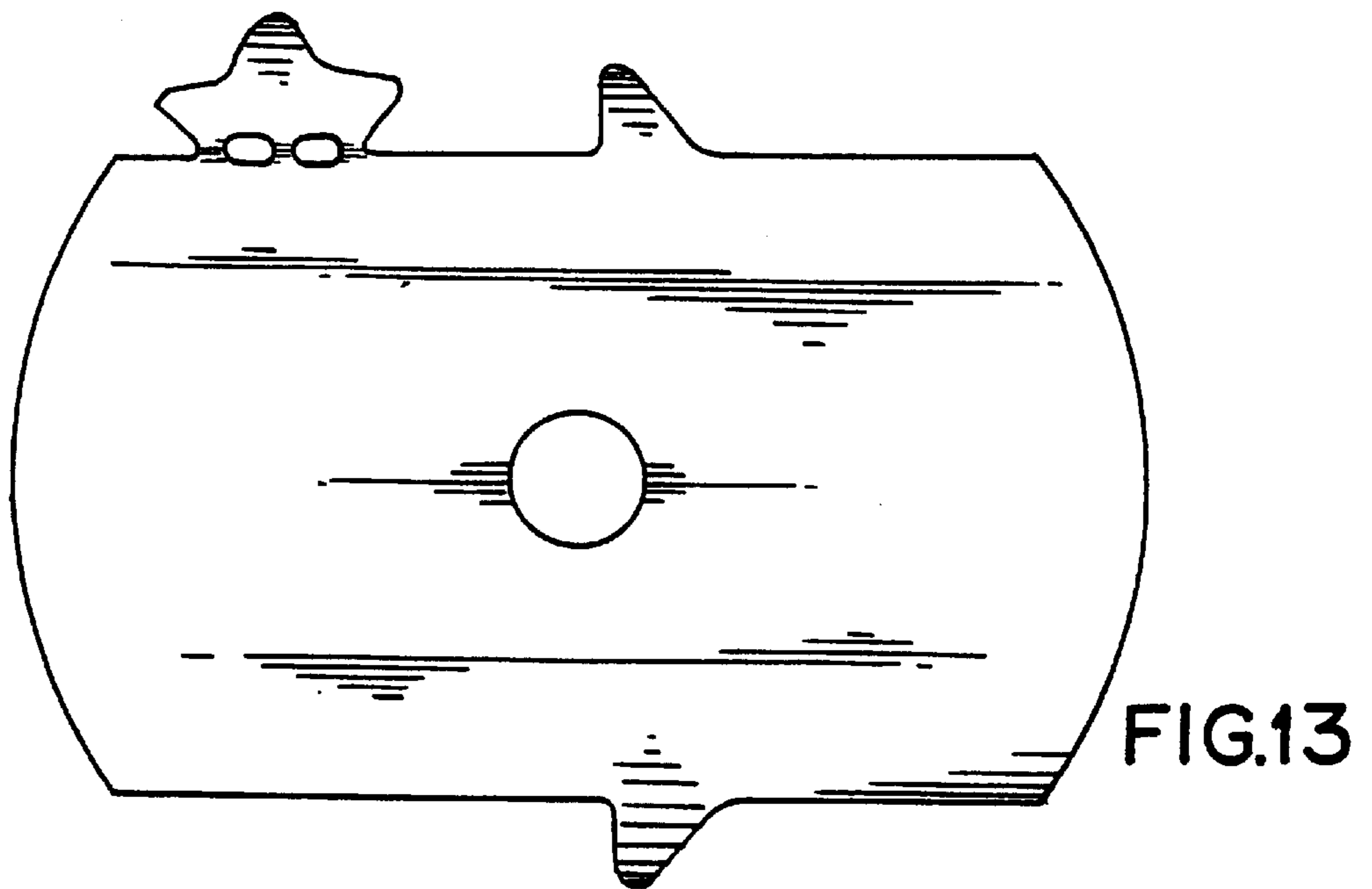
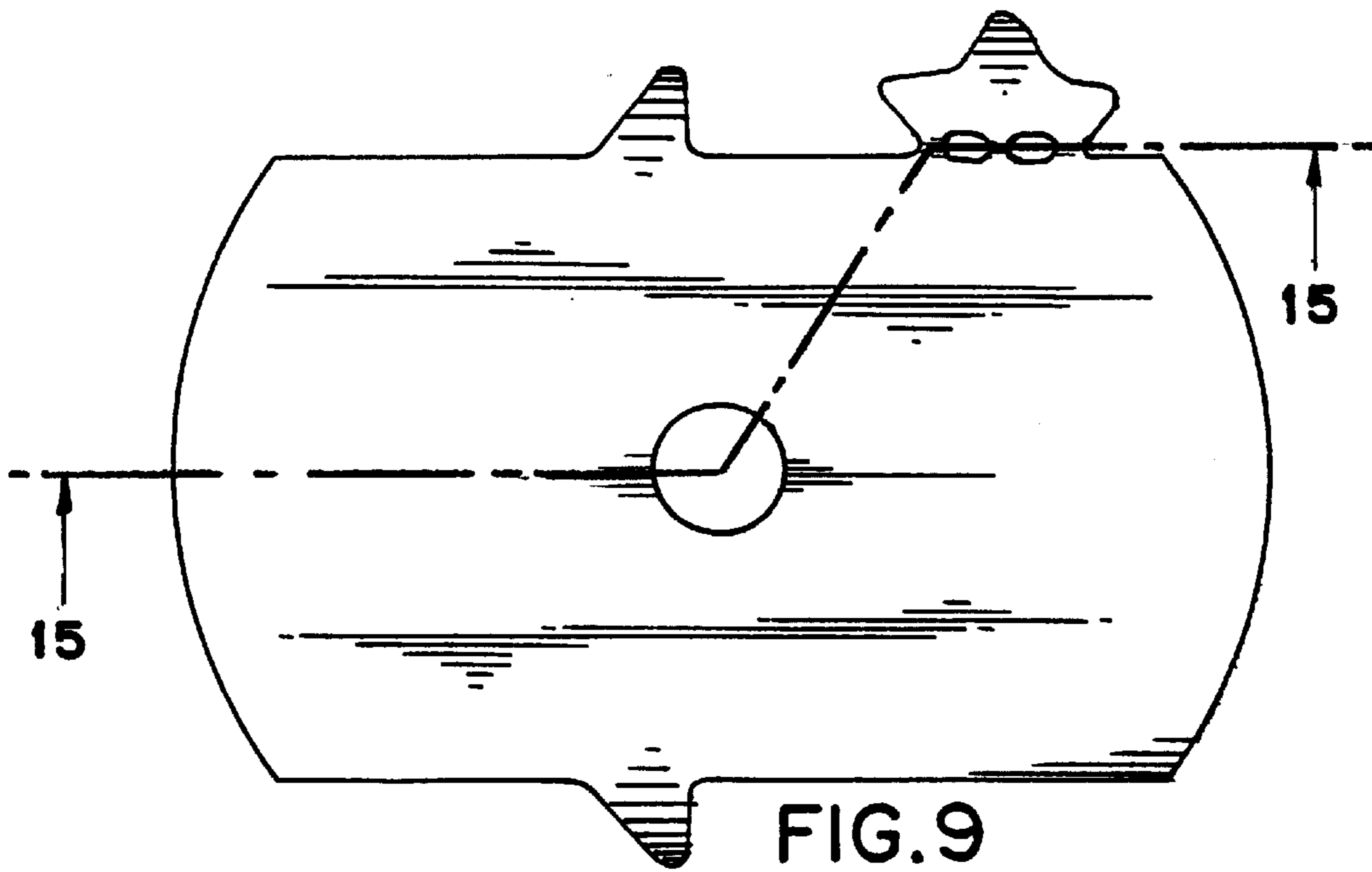




FIG. 10

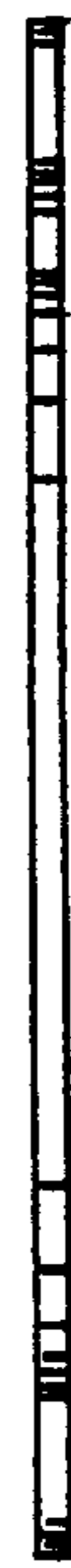


FIG. 11

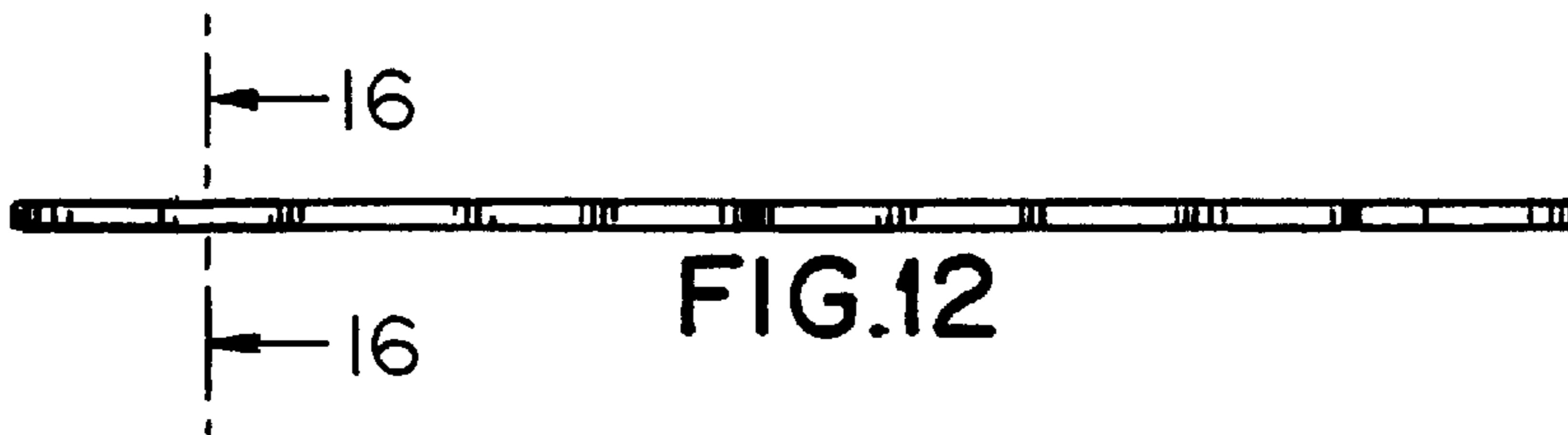


FIG. 12



FIG. 16



FIG. 14



FIG. 15