



US00D426200S

United States Patent [19]

Aeschbacher et al.

[11] Patent Number: Des. 426,200

[45] Date of Patent: ** Jun. 6, 2000

[54] FLAT COMPUTER MONITOR

[75] Inventors: Daniel Aeschbacher, Mont-sur-Rolle, Switzerland; Phillippe E. Girard, St. Julien-en-Genevois, France

[73] Assignee: Hewlett-Packard Company, Palo Alto, Calif.

[**] Term: 14 Years

[21] Appl. No.: 29/096,663

[22] Filed: Nov. 18, 1998

[51] LOC (7) Cl. 14-02

[52] U.S. Cl. D14/113; D14/126

[58] Field of Search D14/100, 101, D14/106, 113, 124-129; 341/12; 349/1, 2, 11, 62; 248/918-924; 348/180, 184, 325, 739; 345/104, 133, 156, 168, 87, 173

[56] References Cited

U.S. PATENT DOCUMENTS

D. 326,847 6/1992 Savio D14/113

Primary Examiner—Freda Nunn

[57] CLAIM

I claim the ornamental design for a flat computer monitor, as shown and described.

DESCRIPTION

FIG. 1 is a top, front perspective view of a flat computer monitor showing my new design; FIG. 2 is a top, rear perspective view of the flat computer monitor of FIG. 1, showing my new design; and, FIG. 3 is a right side elevation view of the flat computer monitor of FIG. 1, showing my new design, the left side elevational view being a mirror image thereof.

1 Claim, 1 Drawing Sheet

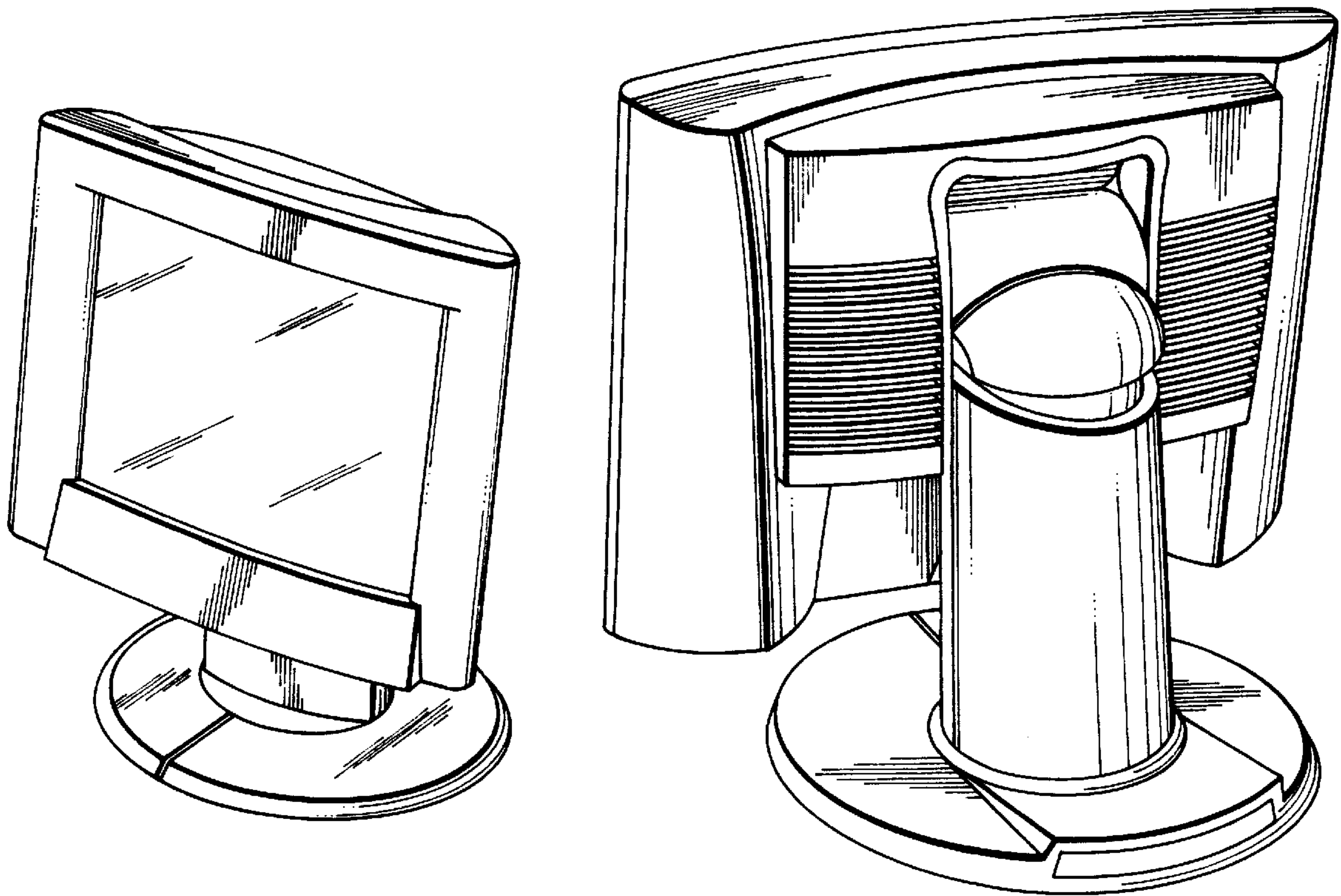


FIG. 1.

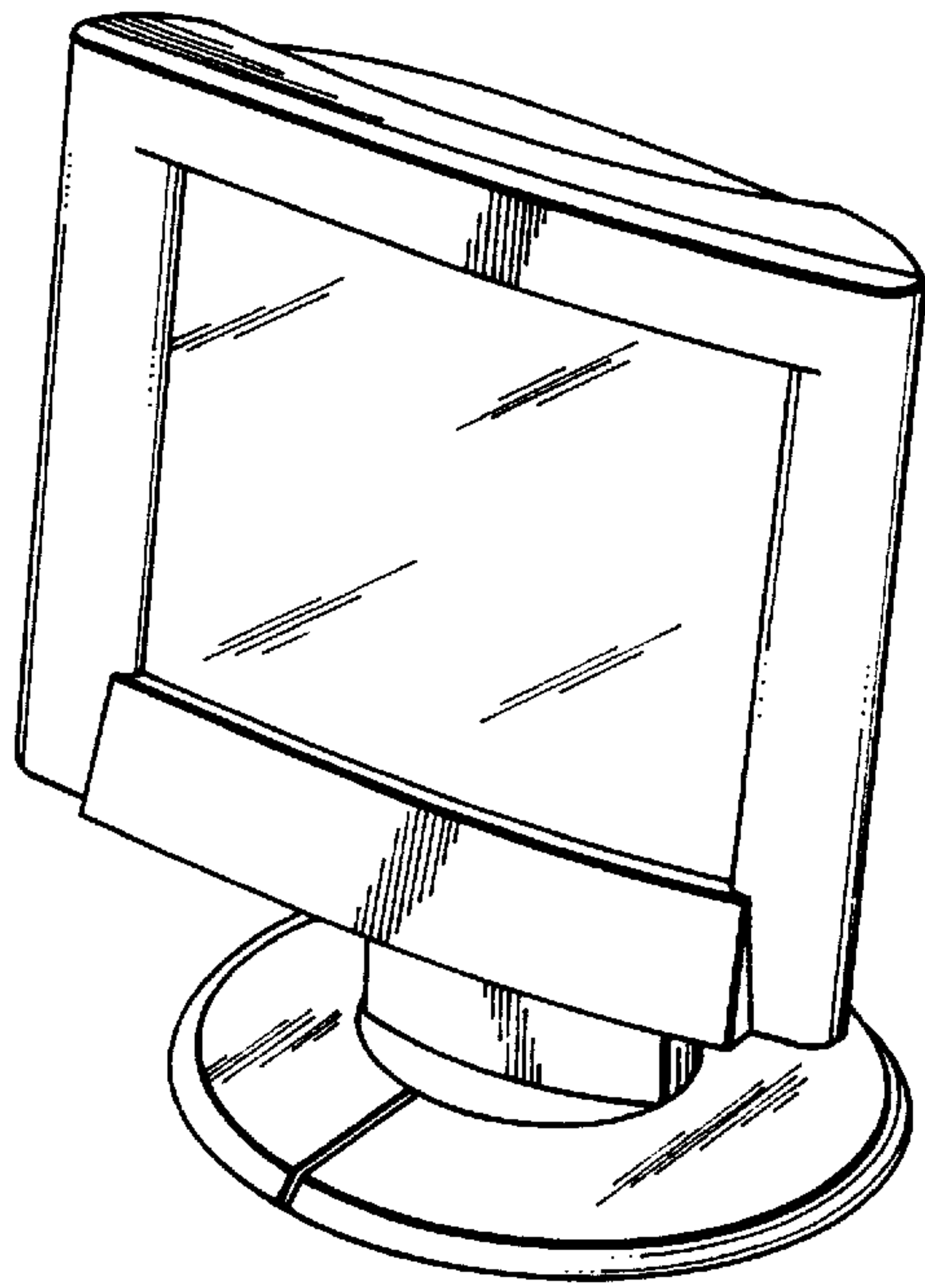


FIG. 3.

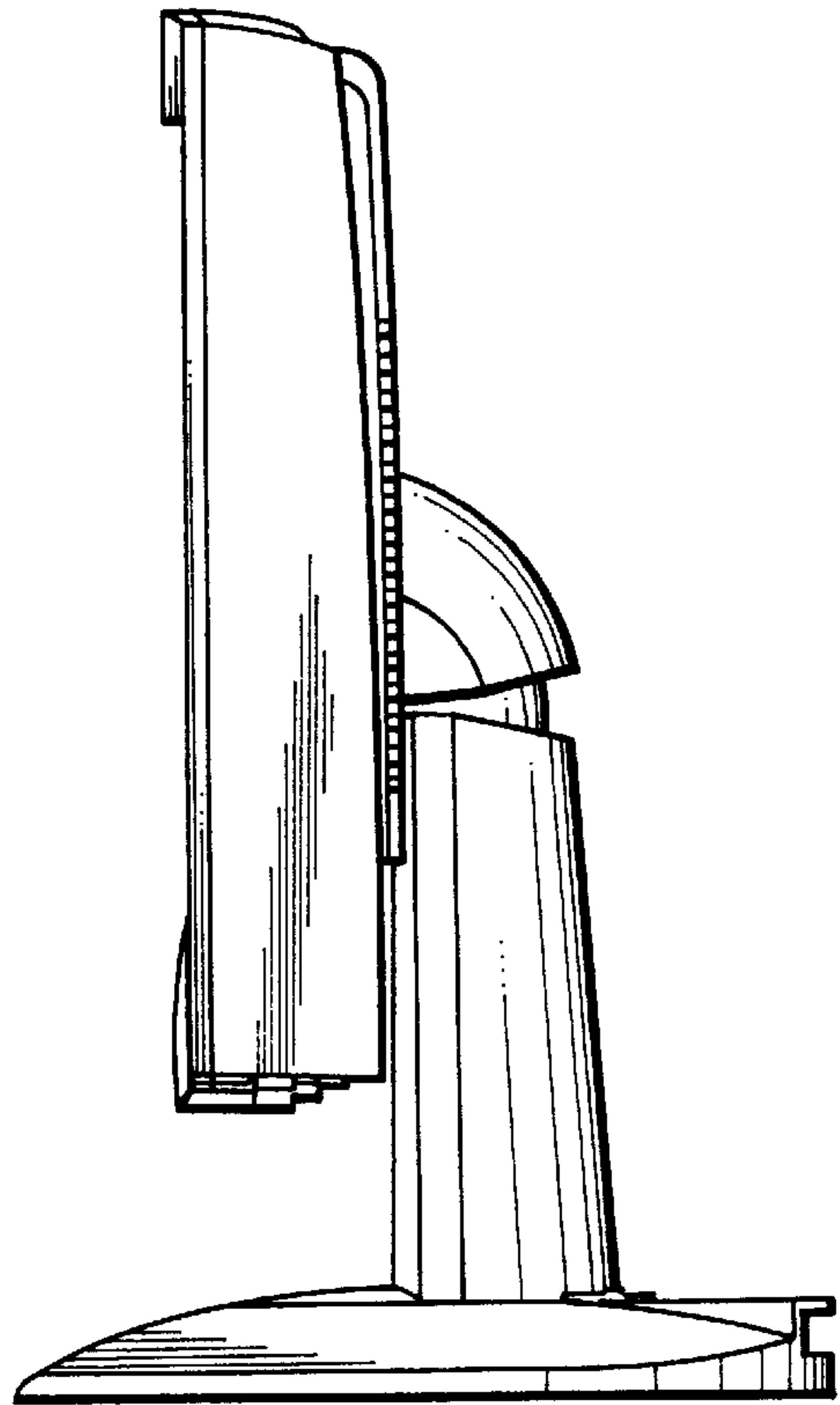


FIG. 2.

