



US00D426195S

United States Patent [19] Kuo

[11] **Patent Number: Des. 426,195**
[45] **Date of Patent: ** Jun. 6, 2000**

[54] **HEAT SINK**

D. 313,399 1/1991 Earl et al. D13/179
D. 338,449 8/1993 Sahyoun D13/179

[76] Inventor: **Ching-Sung Kuo**, No. 38, Lane 111,
Nan-Tien-Mu Rd., Tu-Cheng City,
Taipei Hsien, Taiwan

Primary Examiner—Brian N. Vinson
Attorney, Agent, or Firm—Fish & Richardson P.C.

[**] Term: **14 Years**

[57] CLAIM

[21] Appl. No.: **29/109,796**

The ornamental design for heat sink, as shown and described.

[22] Filed: **Aug. 23, 1999**

DESCRIPTION

[51] **LOC (7) Cl.** **13-03**

FIG. 1 is a perspective view of heat sink showing my new design;

[52] **U.S. Cl.** **D13/179**

FIG. 2 is a front elevational view thereof;

[58] **Field of Search** D13/179; 174/16.3;
361/704, 709; 257/718, 719

FIG. 3 is a rear elevational view thereof;

FIG. 4 is a left side elevational view thereof;

FIG. 5 is a right side elevational view thereof;

FIG. 6 is a top plan view thereof; and,

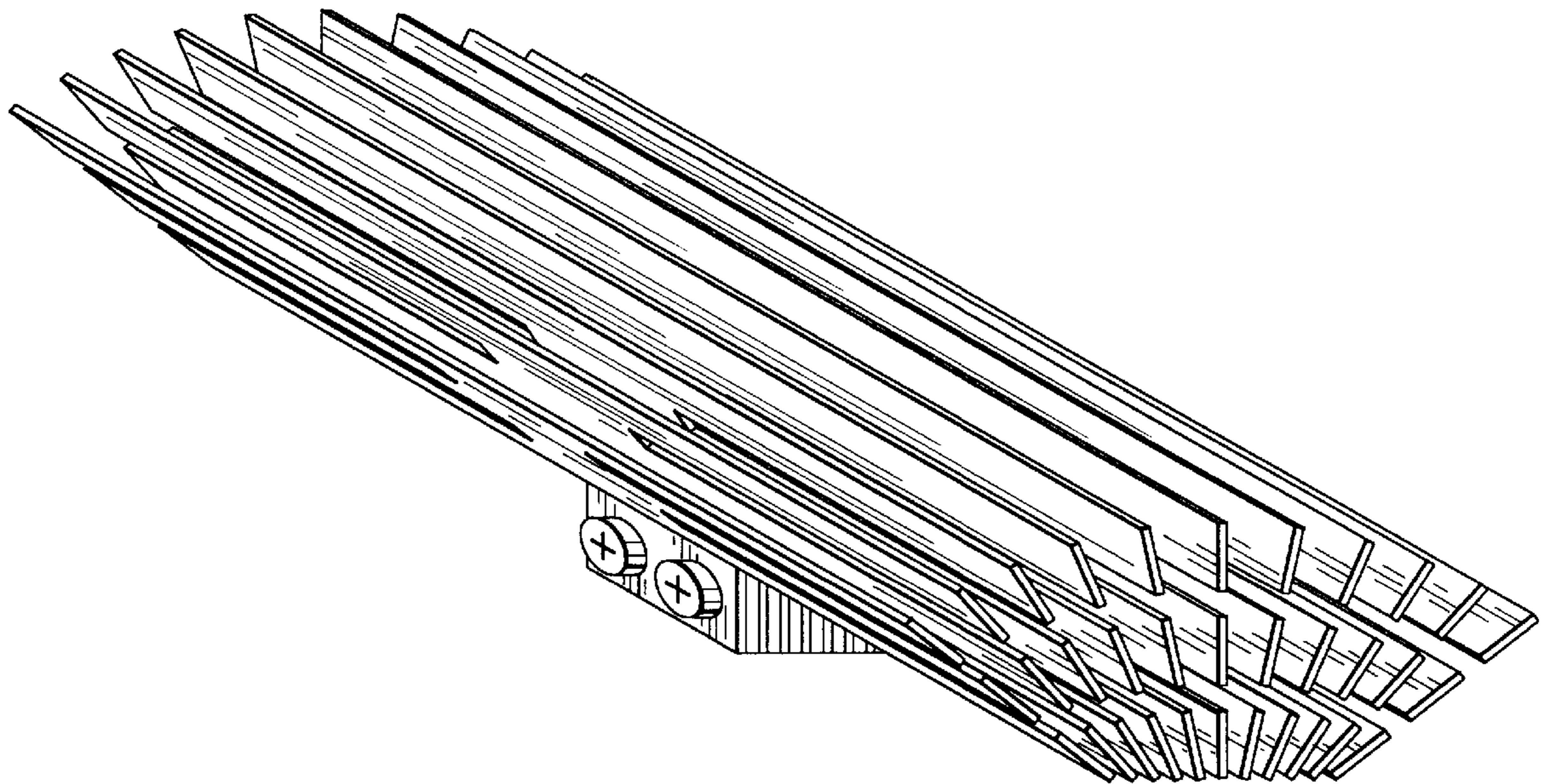
FIG. 7 is a bottom plan view thereof.

[56] References Cited

U.S. PATENT DOCUMENTS

D. 205,770 9/1966 Coe D13/179
D. 267,005 11/1982 Dennis D13/179

1 Claim, 4 Drawing Sheets



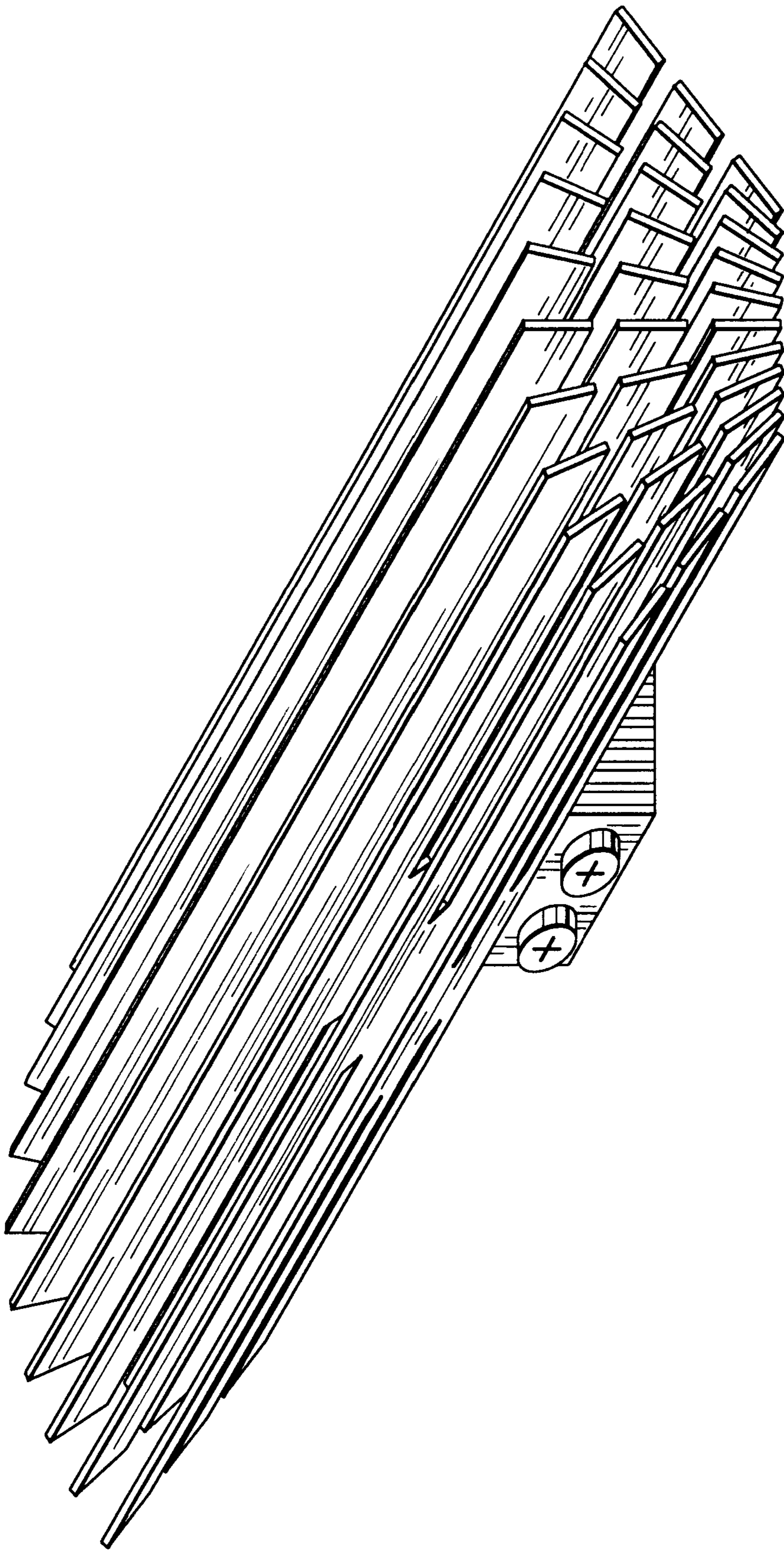


FIG. 1

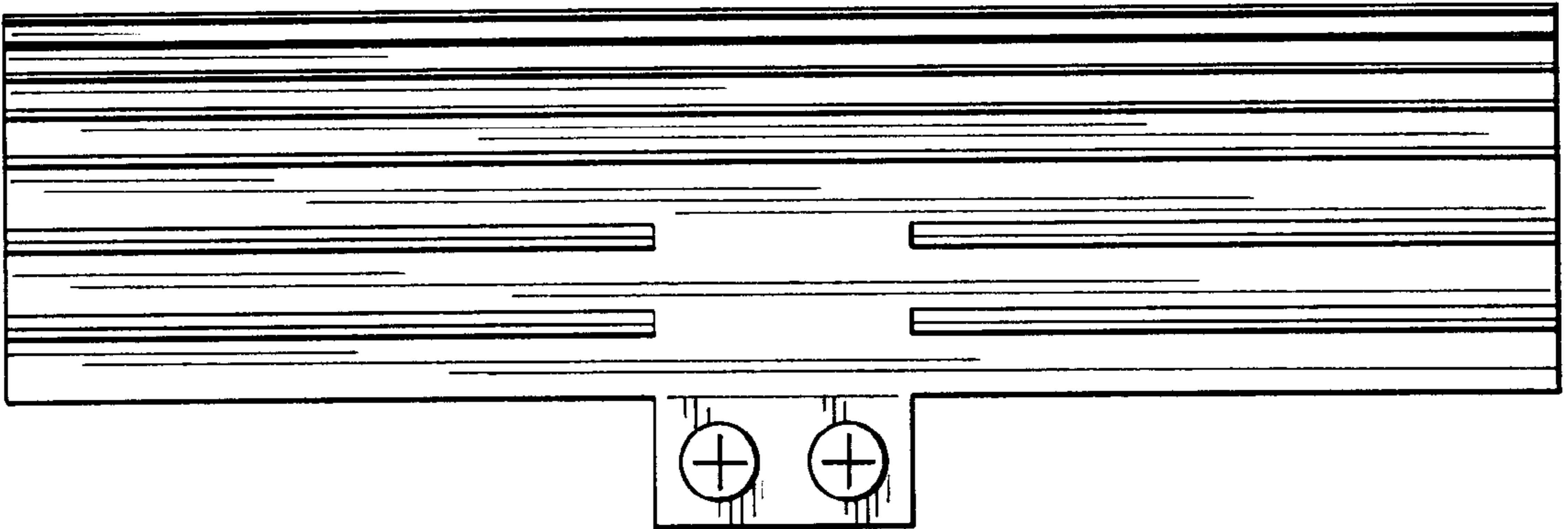


FIG. 2

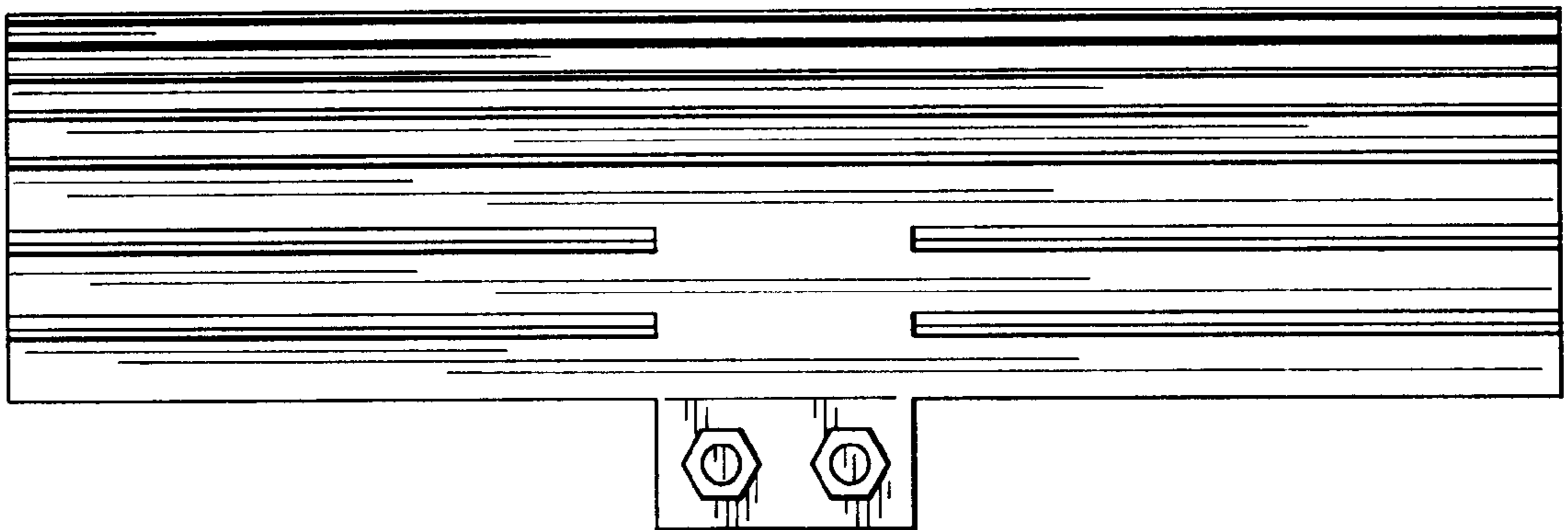


FIG. 3

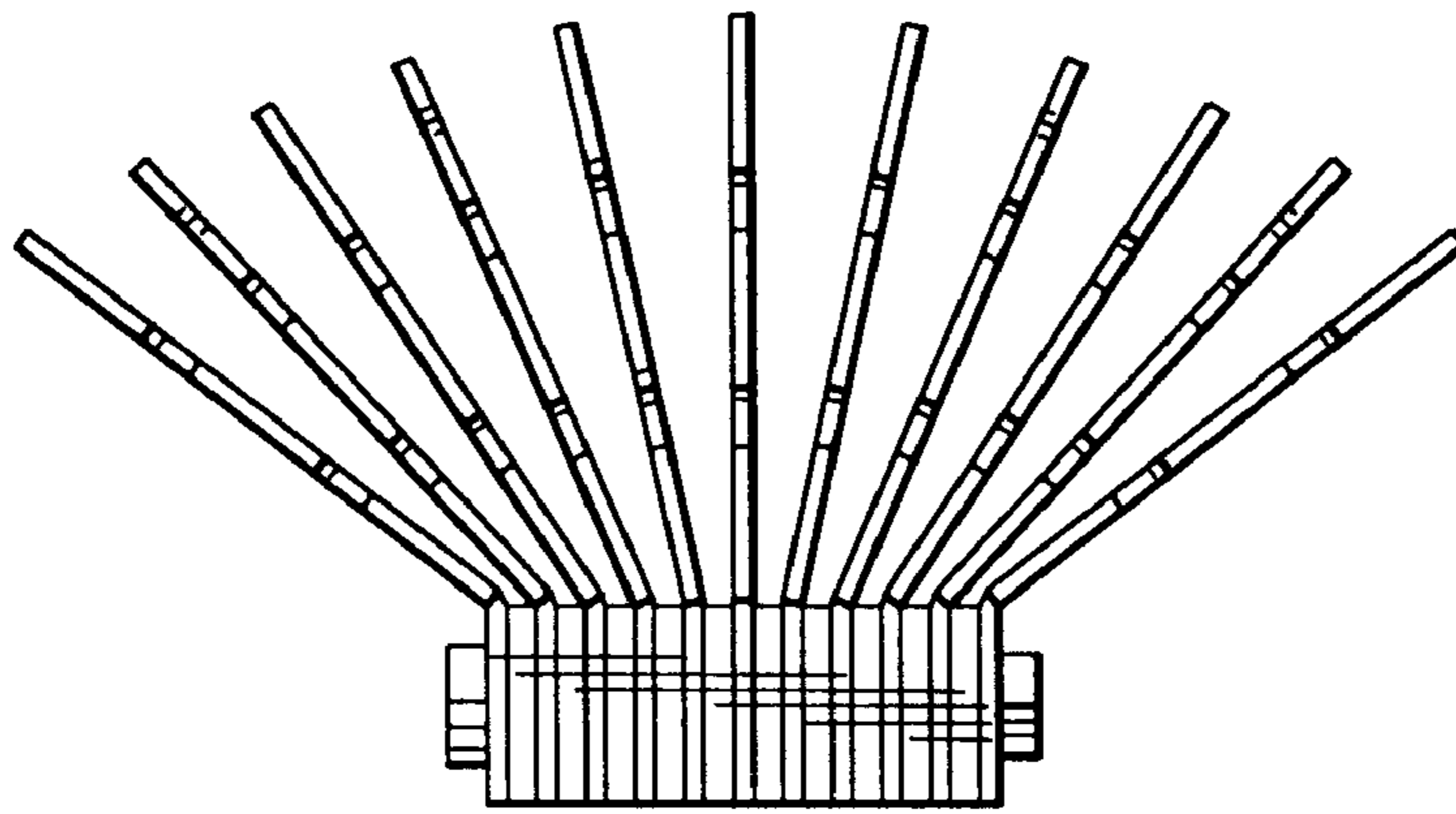


FIG. 4

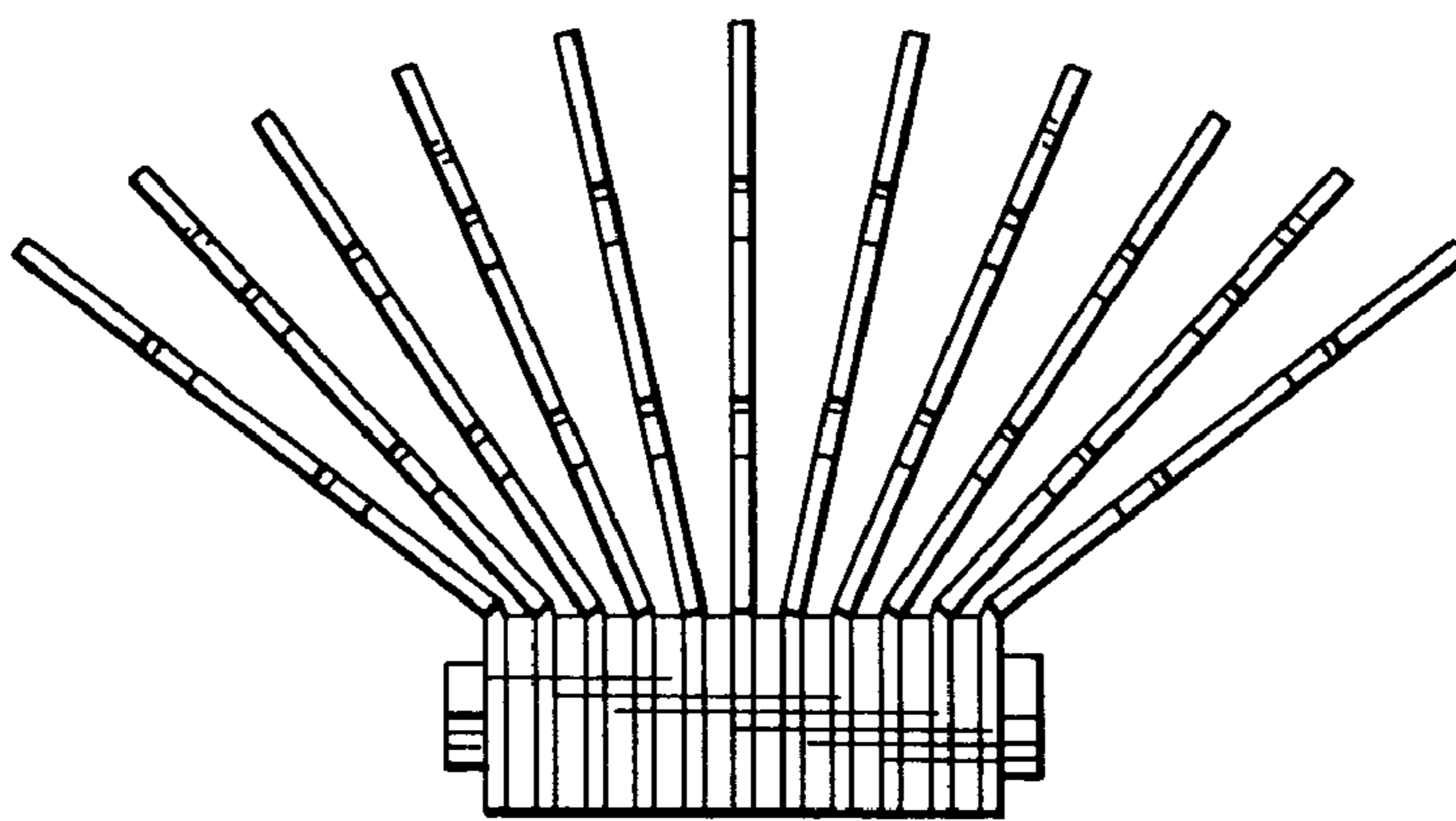


FIG. 5

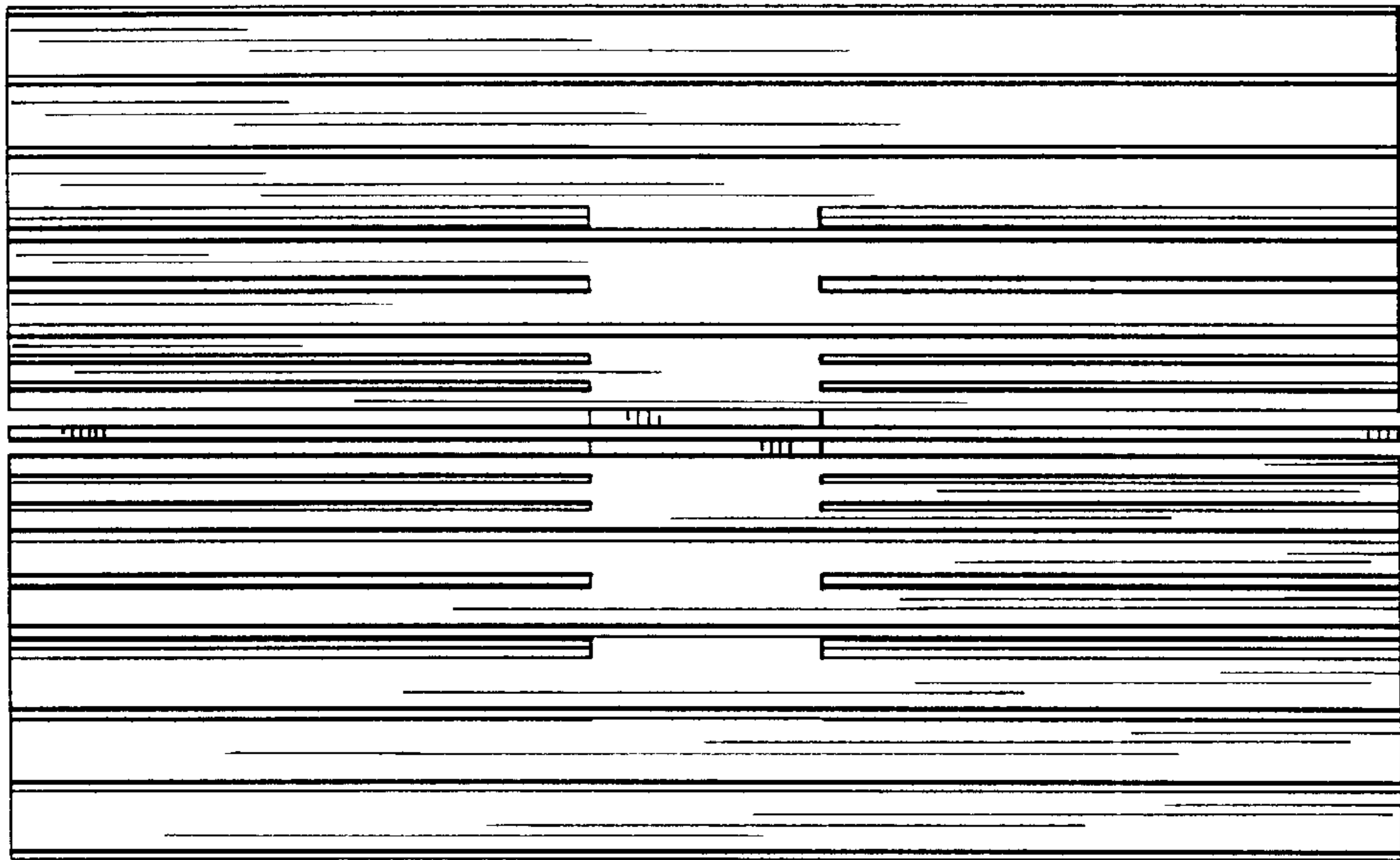


FIG. 6

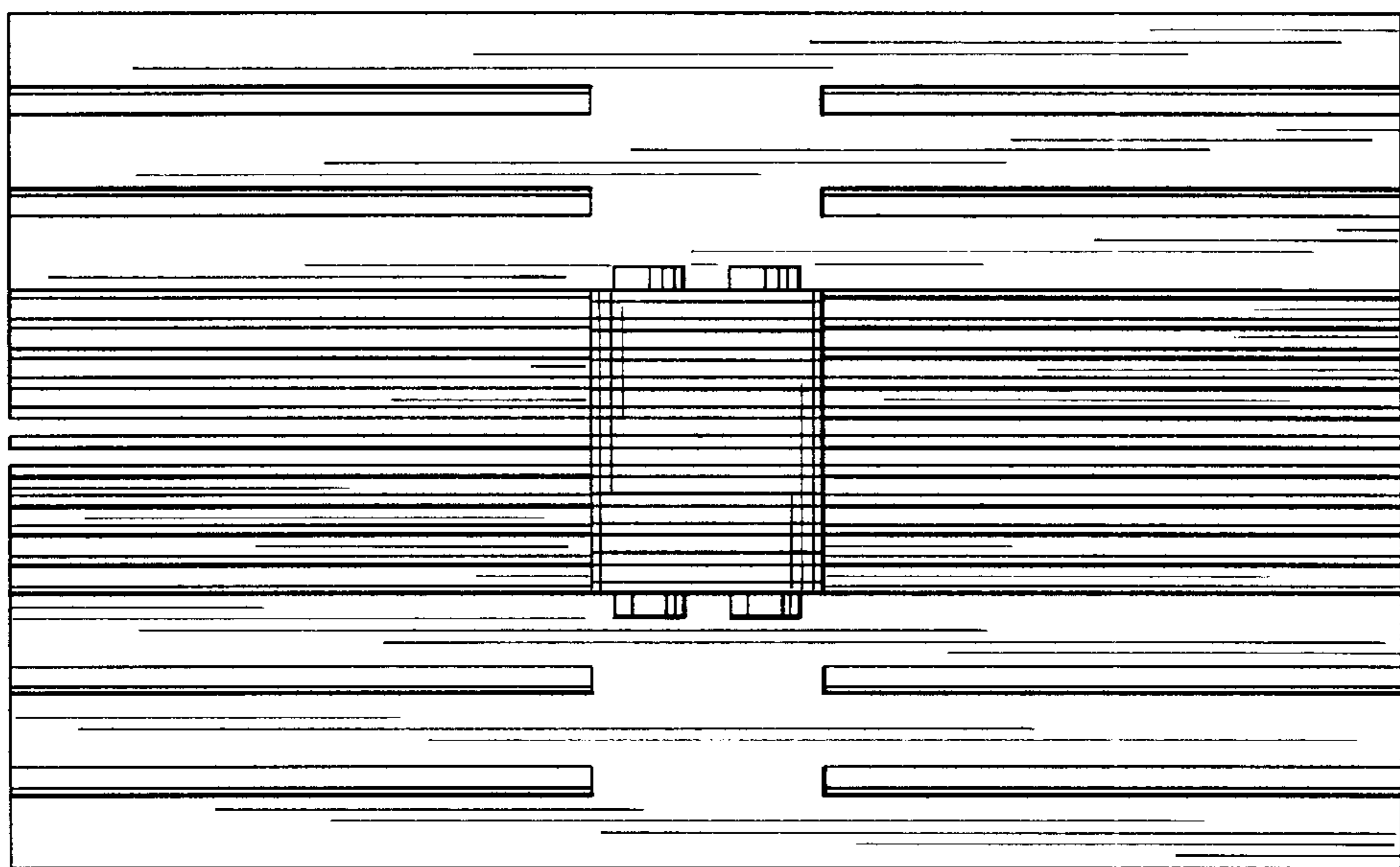


FIG. 7