



US00D426194S

United States Patent [19]

Ko et al.

[11] Patent Number: **Des. 426,194**

[45] Date of Patent: **** Jun. 6, 2000**

[54] **POWER CONNECTOR**

[75] Inventors: **David Tso-Chin Ko**, Thousand Oaks;
Eric Juntwait, Irvine, both of Calif.

[73] Assignee: **Hon Hai Precision Ind, Co., Ltd.**,
Taipei Hsien, Taiwan

[**] Term: **14 Years**

[21] Appl. No.: **29/114,940**

[22] Filed: **Dec. 2, 1999**

[51] **LOC (7) Cl.** **13-03**

[52] **U.S. Cl.** **D13/147**

[58] **Field of Search** D13/146, 147;
439/607, 79, 76.1, 83, 536, 339, 362, 374,
677

[56] **References Cited**

U.S. PATENT DOCUMENTS

4,865,555 9/1989 Assini et al. 439/82

4,929,184 5/1990 Emadi et al. 439/362 X
5,066,246 11/1991 Jensik 439/562
5,288,244 2/1994 Lien 439/362

Primary Examiner—Joel Sincavage
Attorney, Agent, or Firm—Wei Te Chung

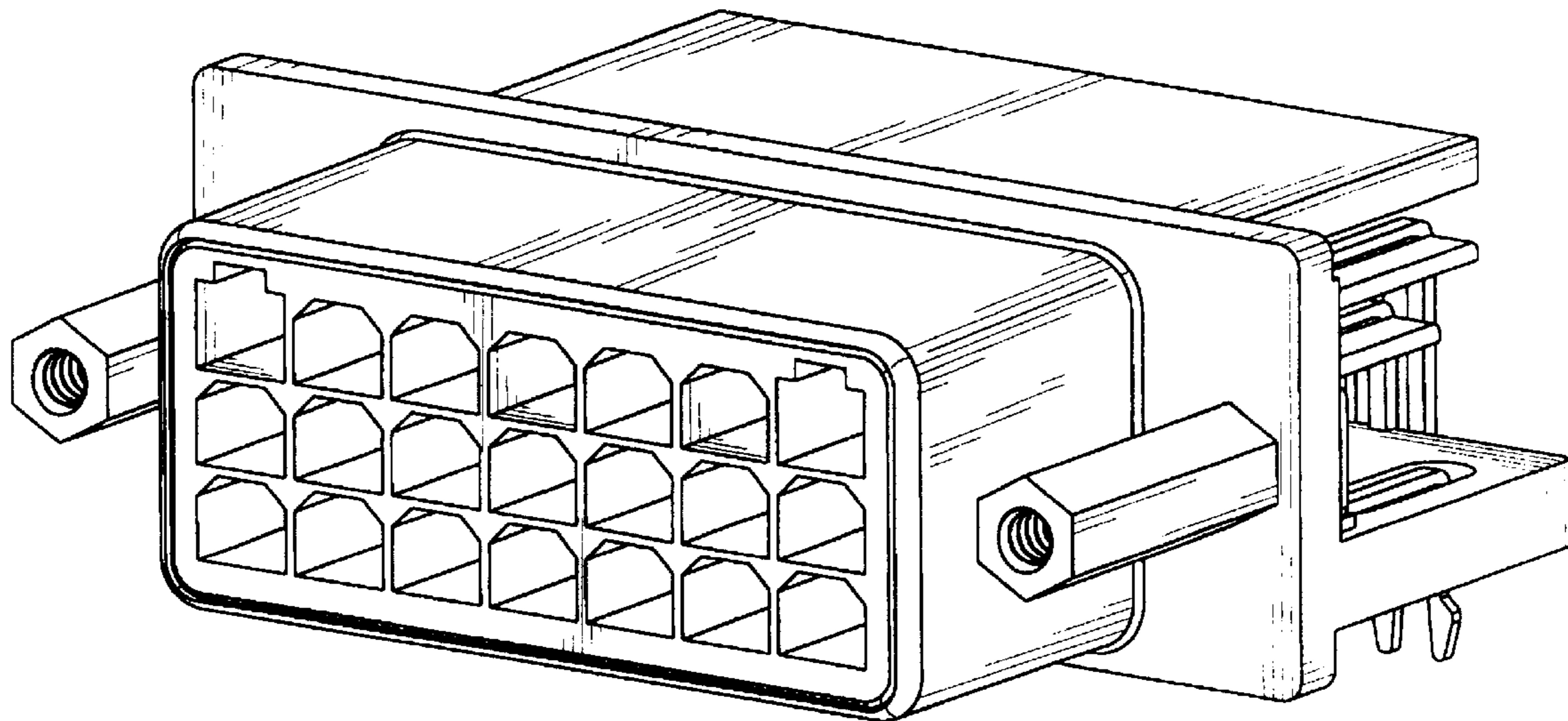
[57] **CLAIM**

The ornamental design for a power connector, as shown.

DESCRIPTION

FIG. 1 is a front, top and right side perspective view of a power connector showing our new design; FIG. 2 is a front elevational view thereof; FIG. 3 is a rear elevational view thereof; FIG. 4 is a left side elevational view thereof; FIG. 5 is a right side elevational view thereof; FIG. 6 is a top plan view thereof; and, FIG. 7 is a bottom plan view thereof.

1 Claim, 6 Drawing Sheets



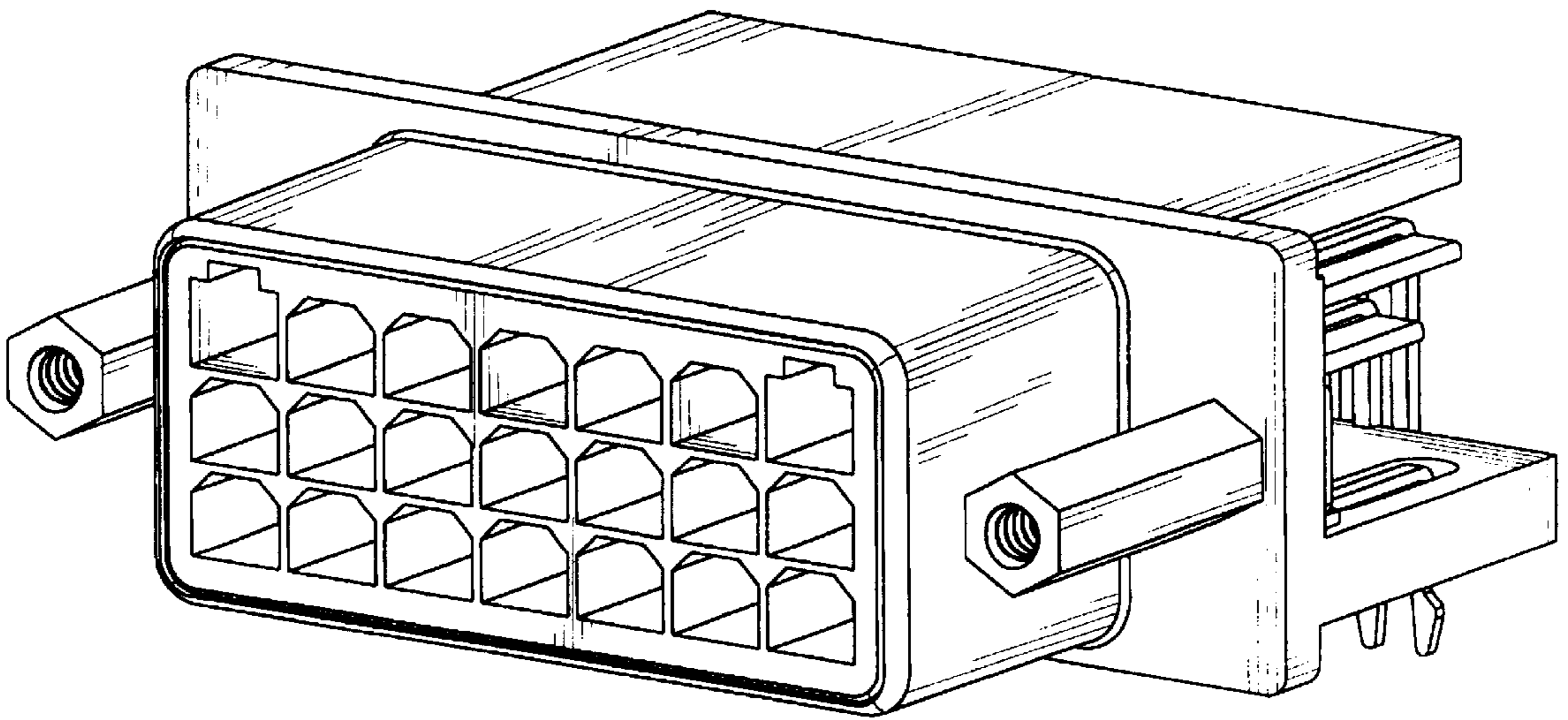


FIG. 1

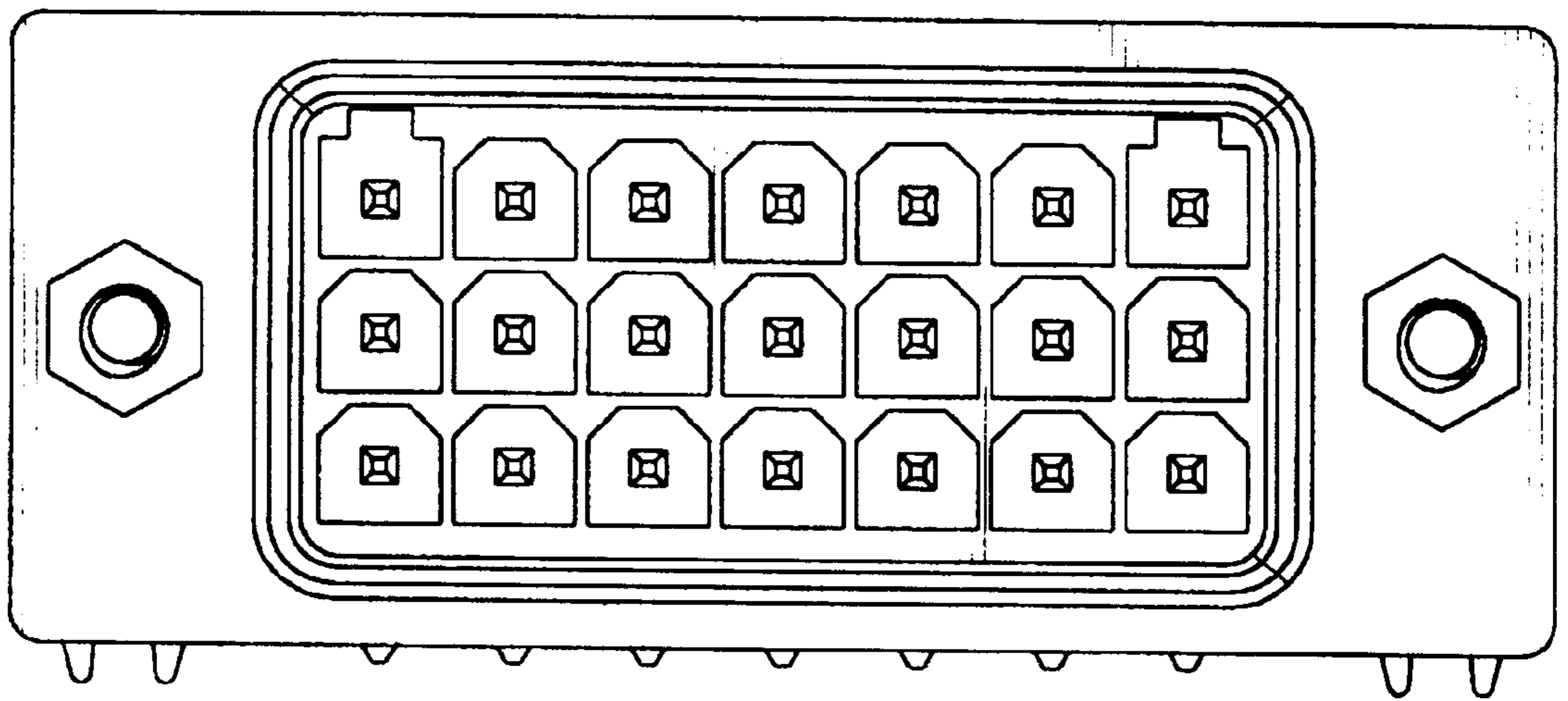


FIG. 2

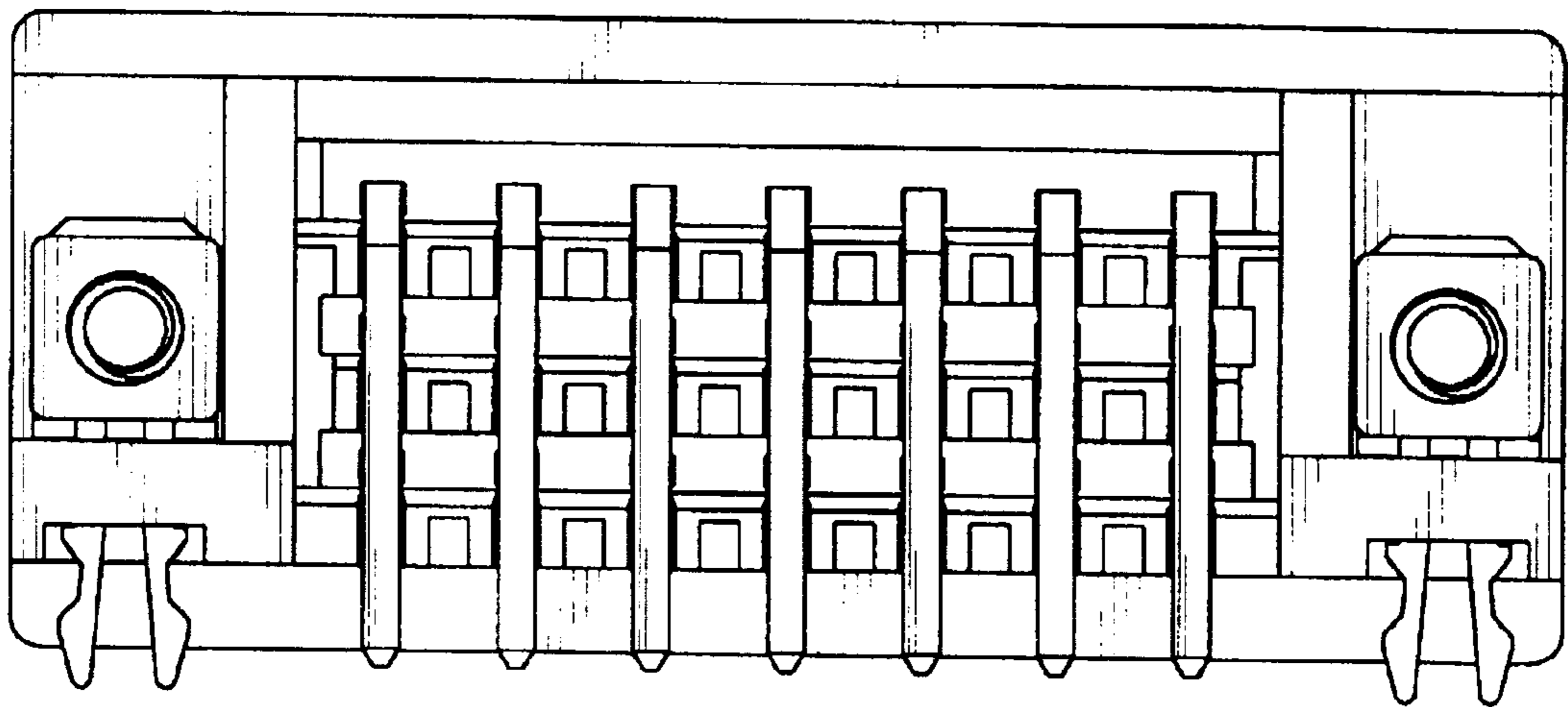


FIG. 3

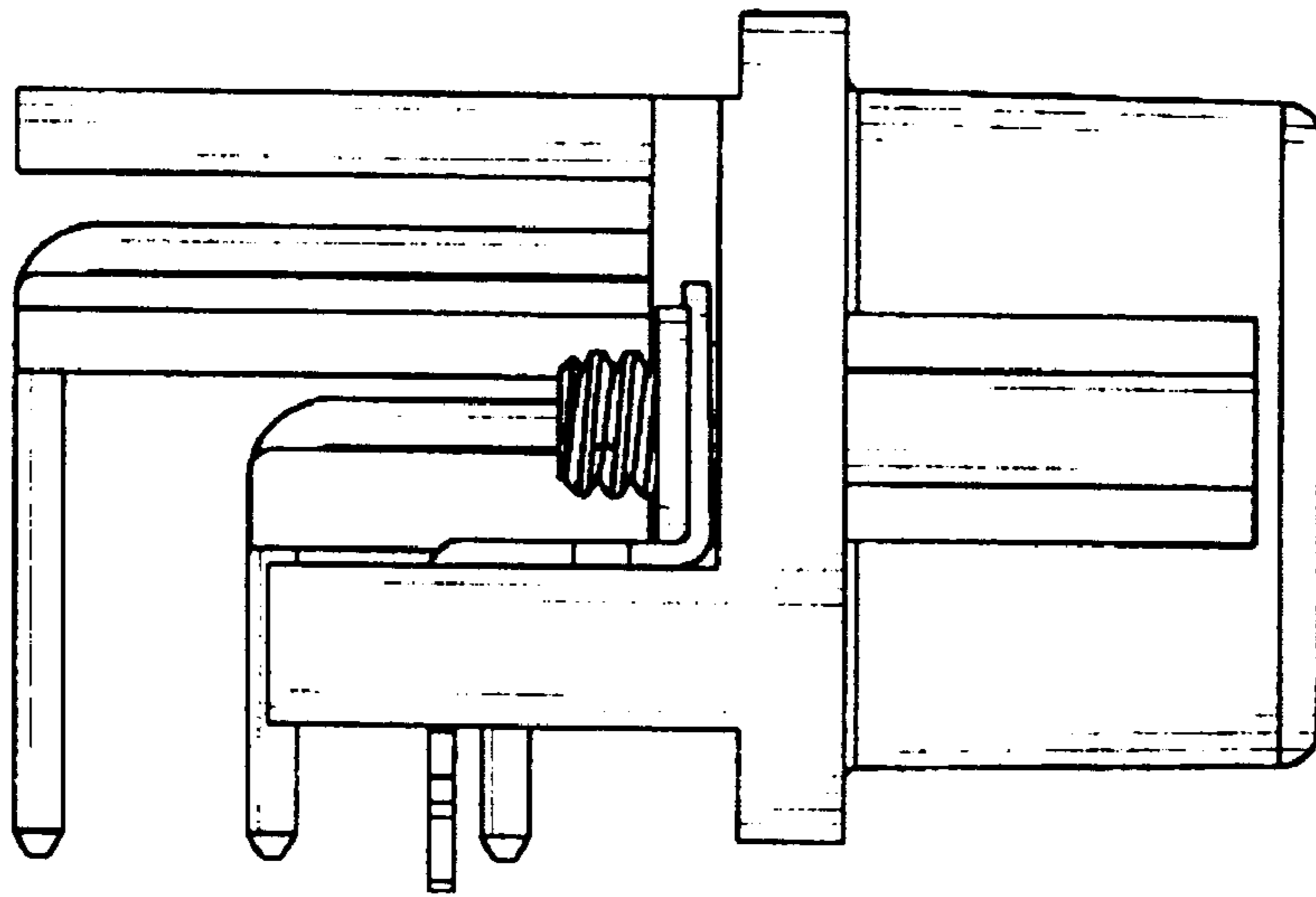


FIG. 4

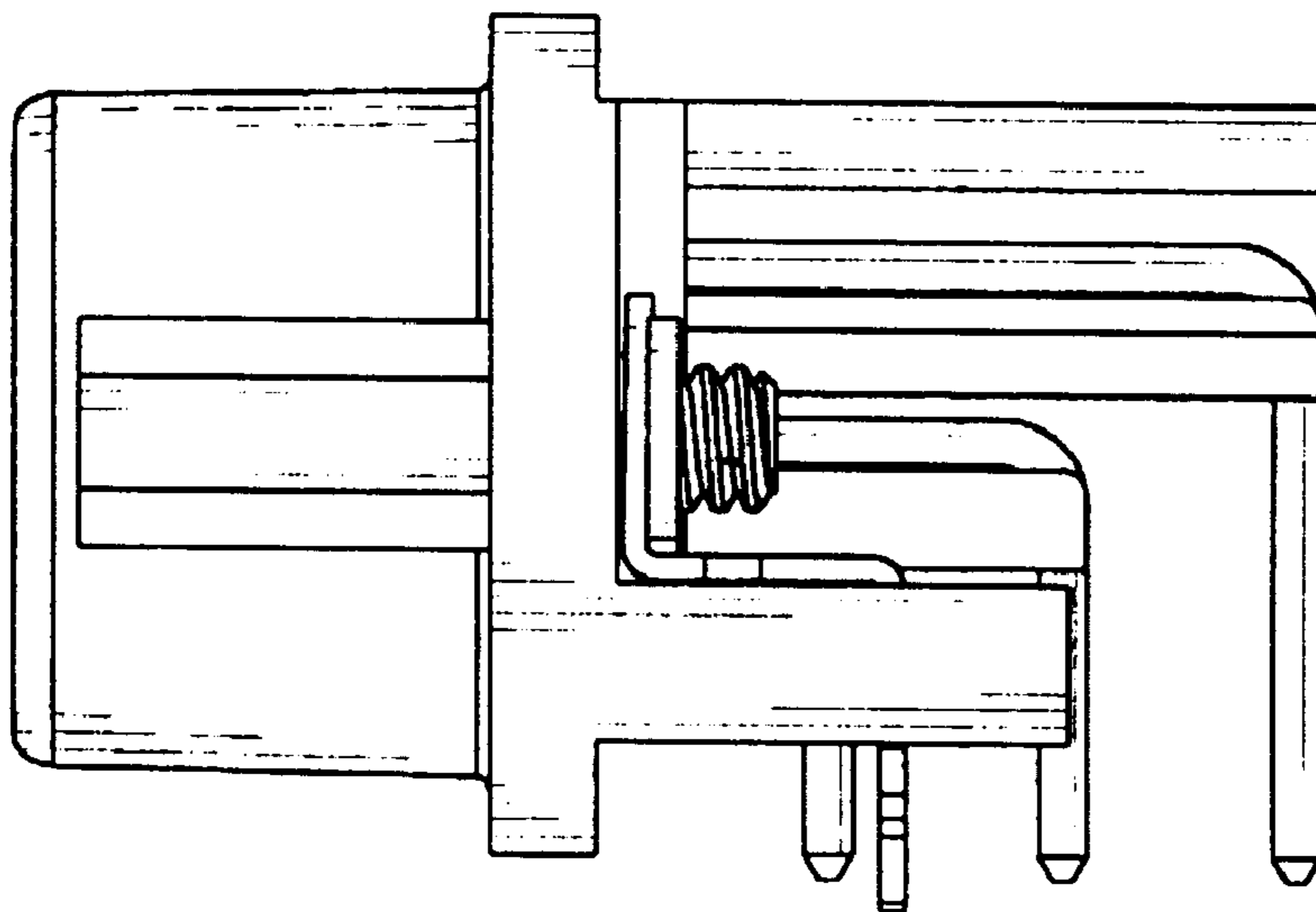


FIG. 5

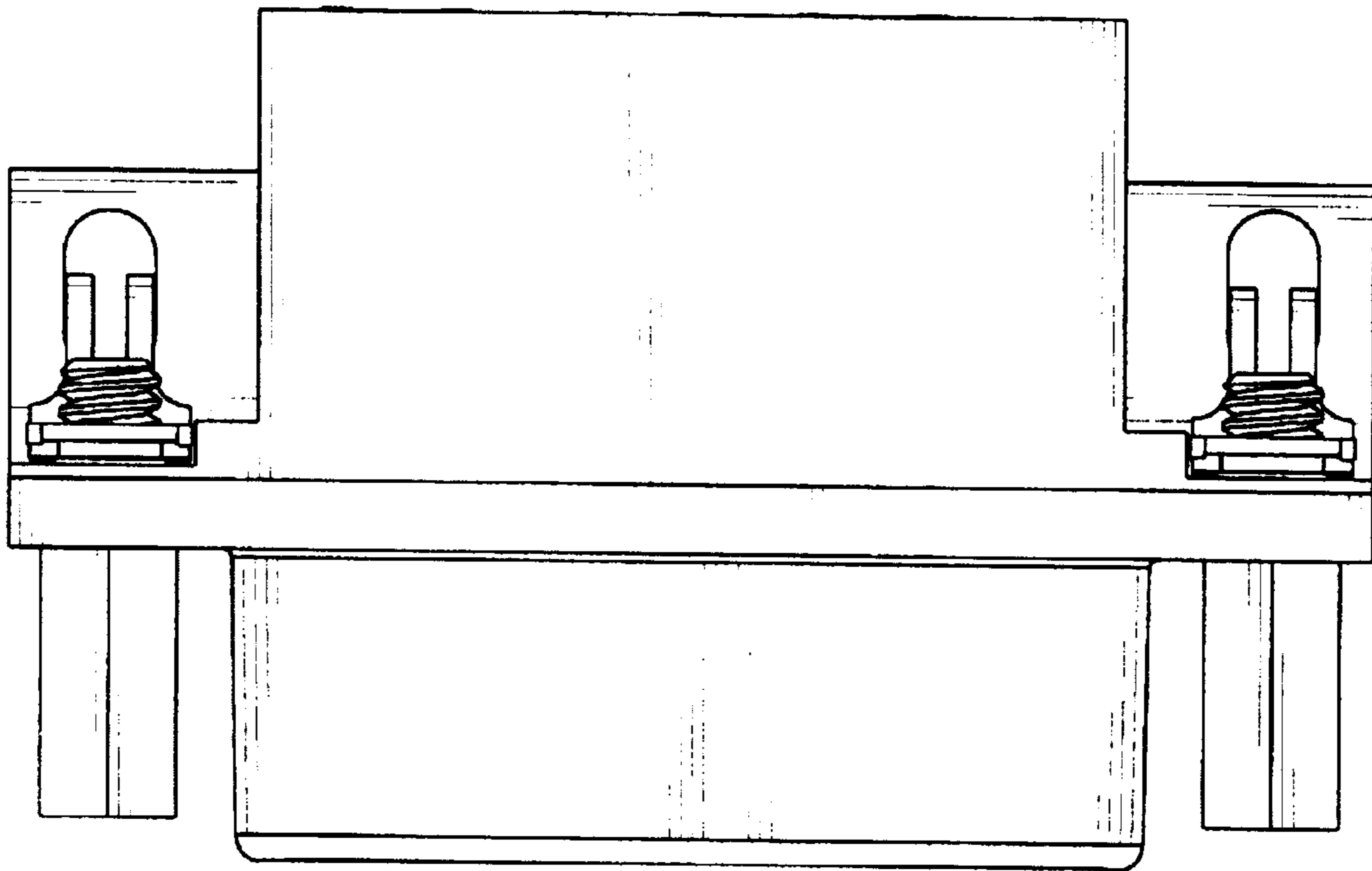


FIG. 6

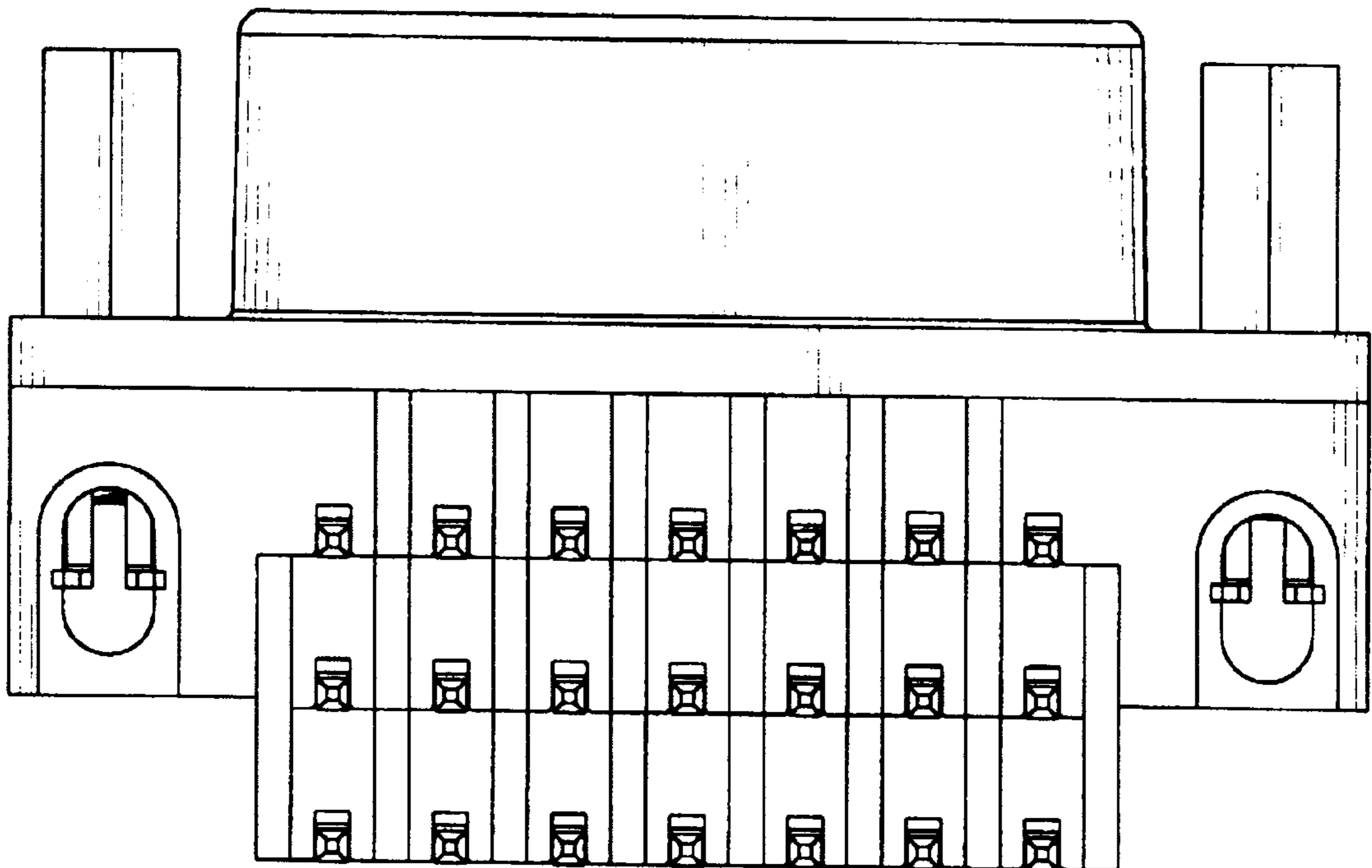


FIG. 7