



US00D426193S

United States Patent [19] Yeh

[11] **Patent Number: Des. 426,193**
[45] **Date of Patent: ** Jun. 6, 2000**

[54] **ELECTRICAL CONNECTOR**
[75] Inventor: **Joel Jyh-Haur Yeh**, San Gabrie, Calif.
[73] Assignee: **Hon Hai Precision Ind. Co., Ltd.**,
Taipei Hsien, Taiwan
[**] Term: **14 Years**
[21] Appl. No.: **29/113,536**
[22] Filed: **Nov. 5, 1999**
[51] **LOC (7) Cl. 13-03**
[52] **U.S. Cl. D13/147**
[58] **Field of Search D13/146, 147;**
439/76.1, 79, 83, 607

5,213,515 5/1993 Ishikawa et al. 439/79
5,346,404 9/1994 Shimada 439/79 X
5,533,901 7/1996 Hunt et al. 439/79

Primary Examiner—Joel Sincavage
Attorney, Agent, or Firm—Wei Te Chung

[57] CLAIM

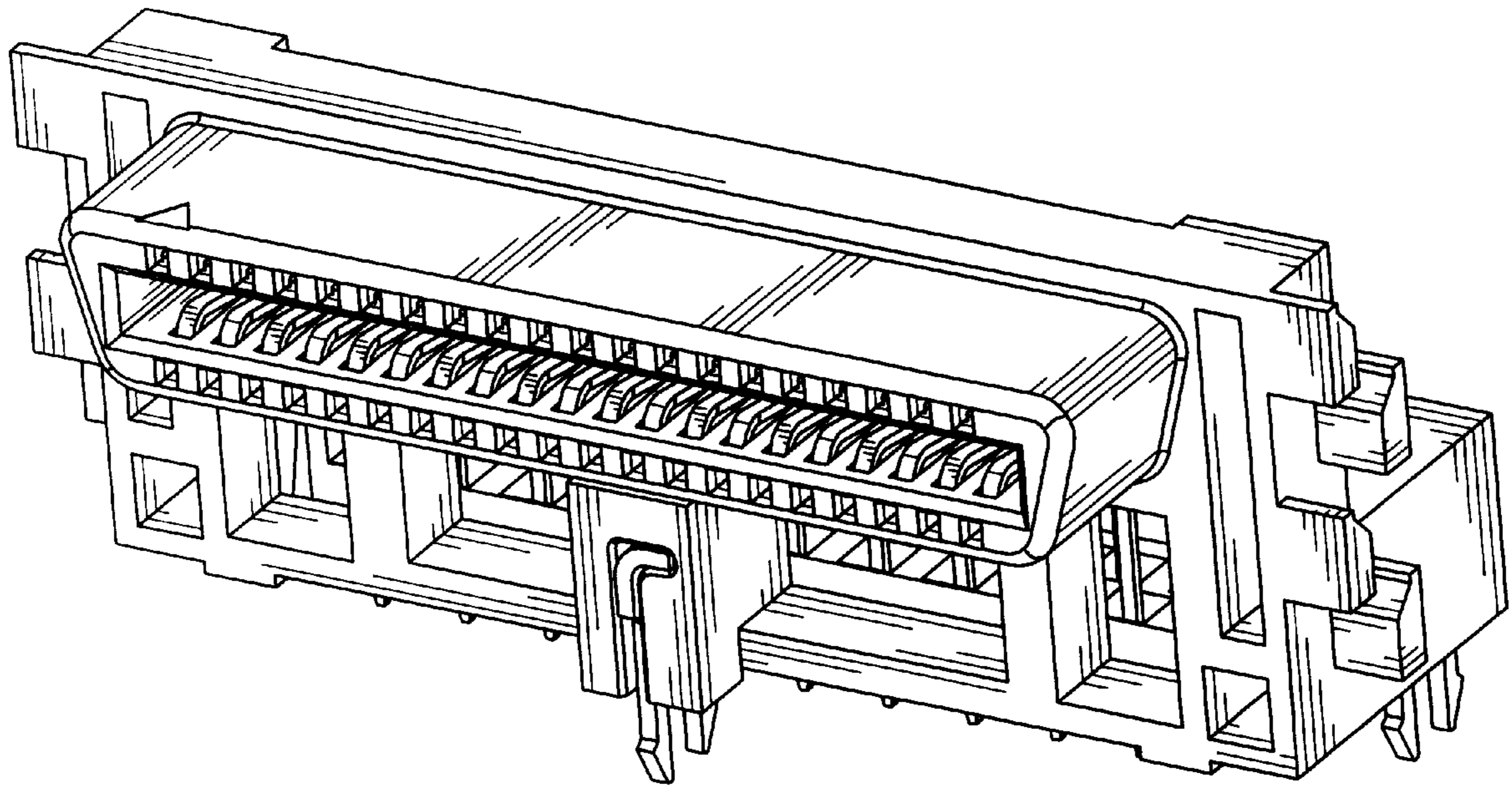
The ornamental design for an electrical connector, as shown.

DESCRIPTION

FIG. 1 is a perspective view of an electrical connector showing my new design;
FIG. 2 is another perspective view thereof;
FIG. 3 is a front view thereof;
FIG. 4 is a rear view thereof;
FIG. 5 is a left side elevational view thereof;
FIG. 6 is a right side elevational view thereof;
FIG. 7 is a top view thereof; and,
FIG. 8 is a bottom view thereof.

[56] **References Cited**
U.S. PATENT DOCUMENTS
D. 313,007 12/1990 Nakamura D13/147
D. 411,982 7/1999 Huang D13/147
5,125,854 6/1992 Bassler et al. 439/607

1 Claim, 8 Drawing Sheets



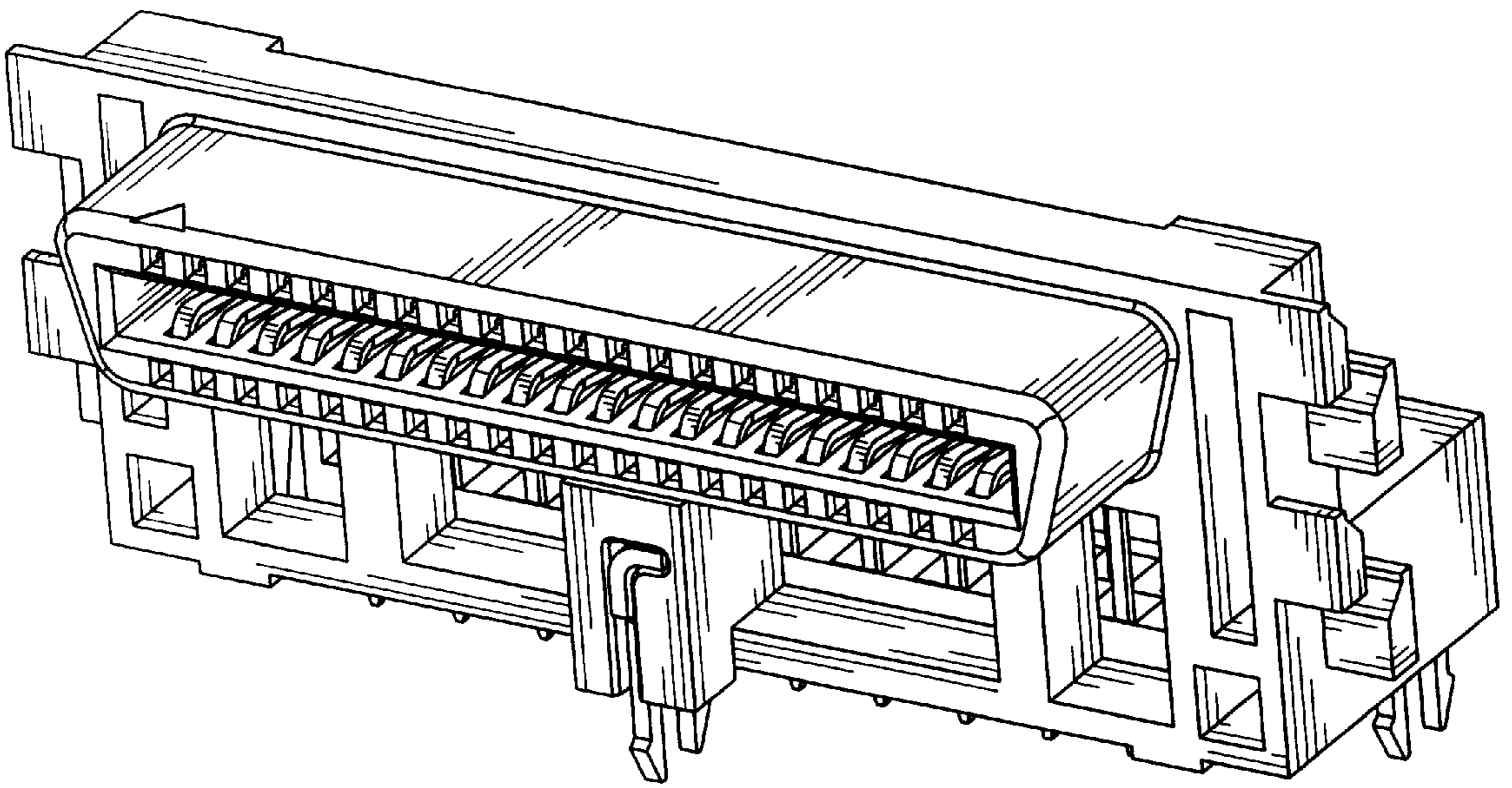


FIG. 1

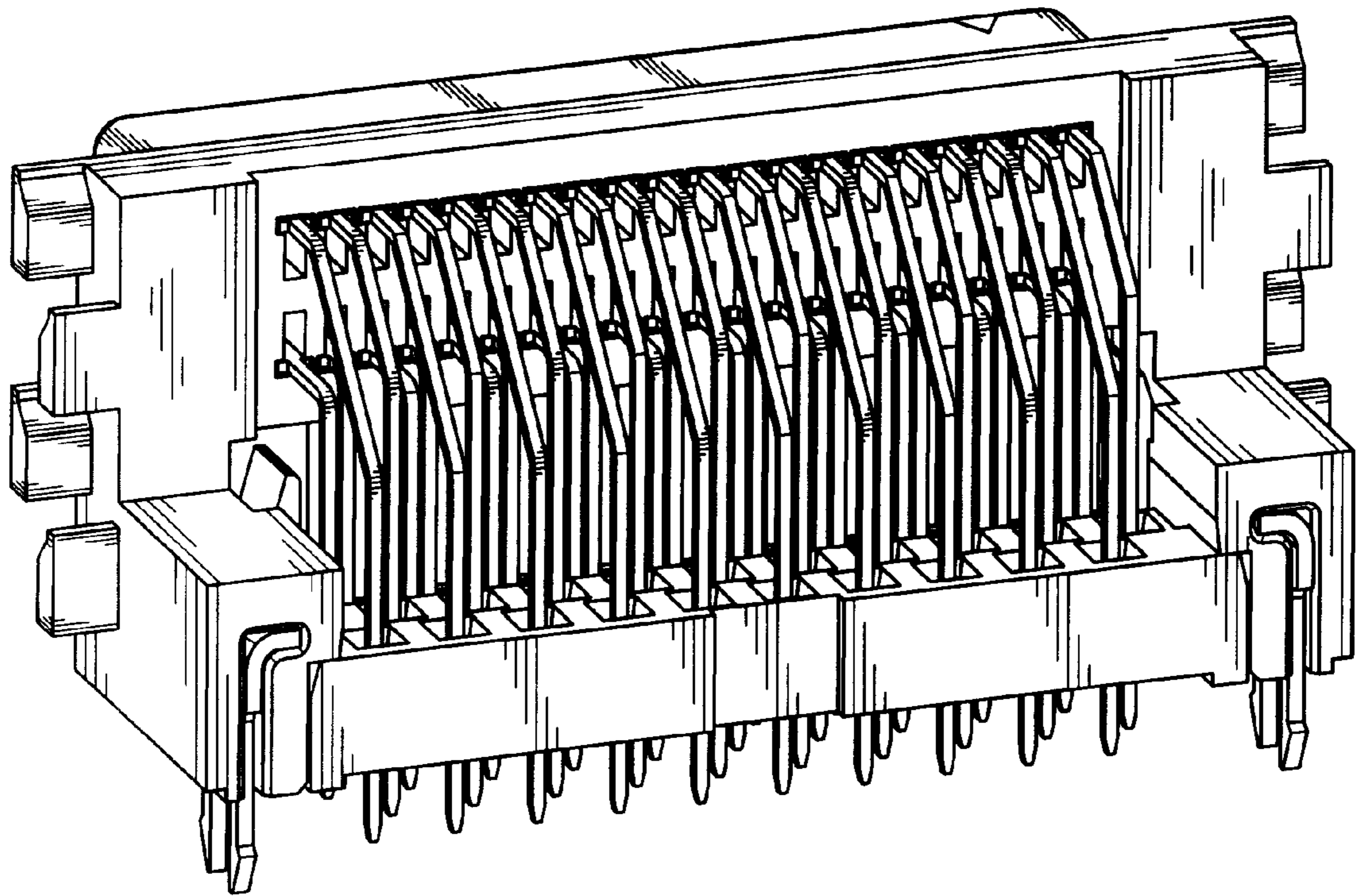


FIG. 2

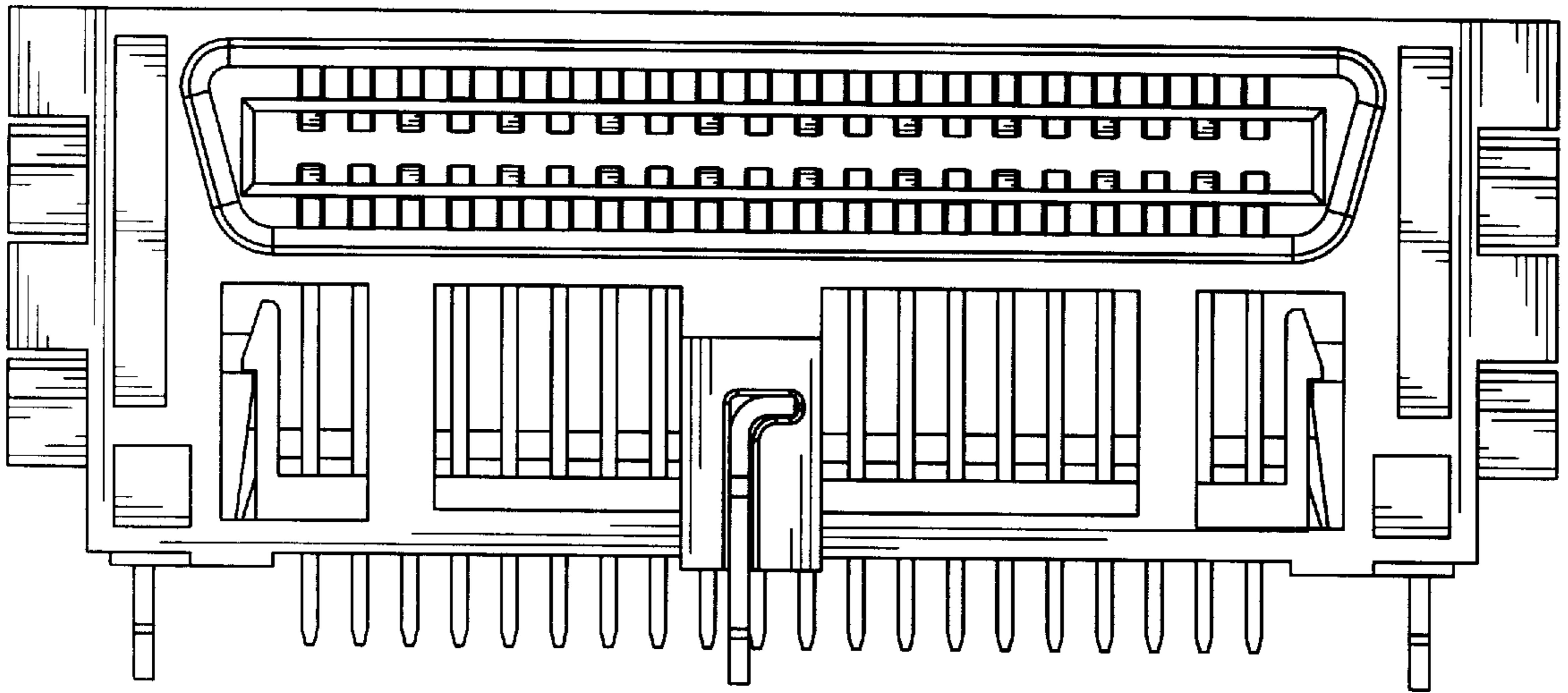


FIG. 3

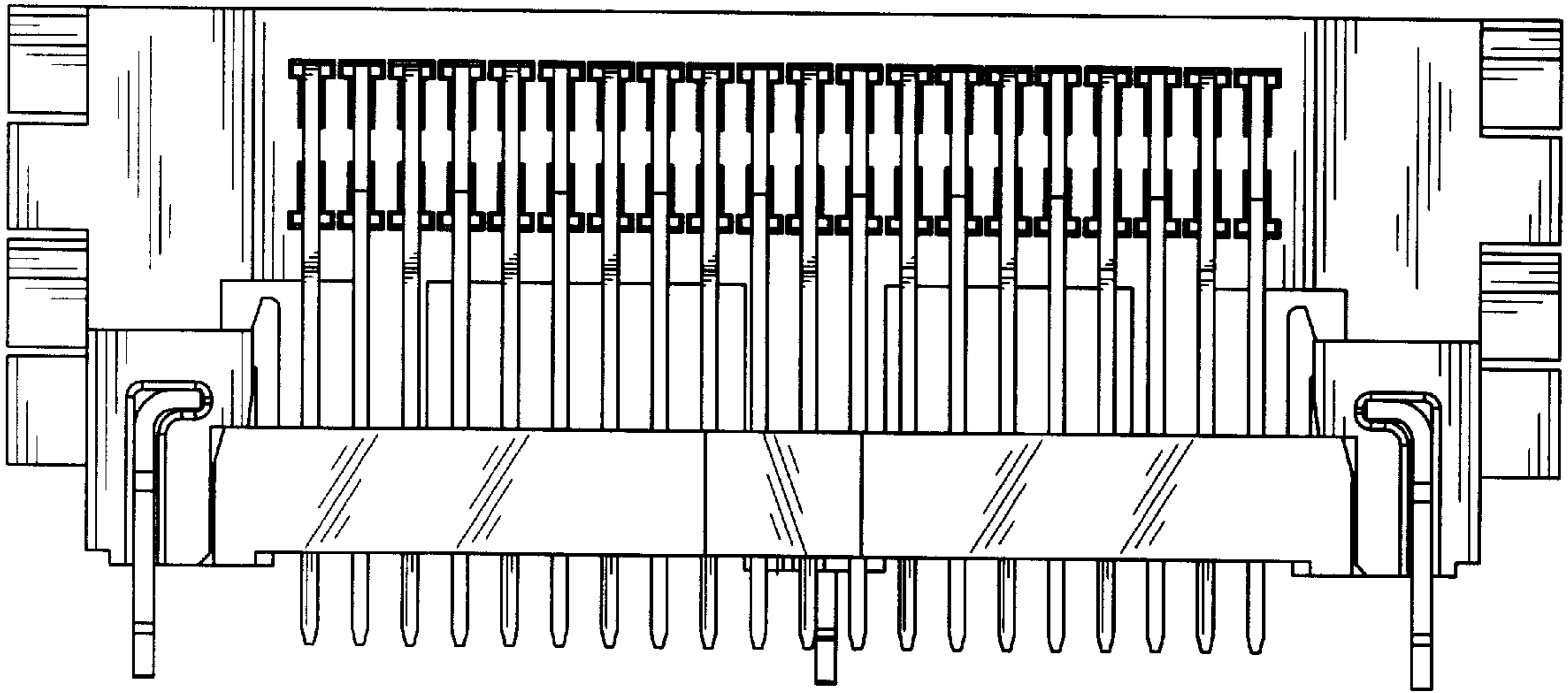


FIG. 4

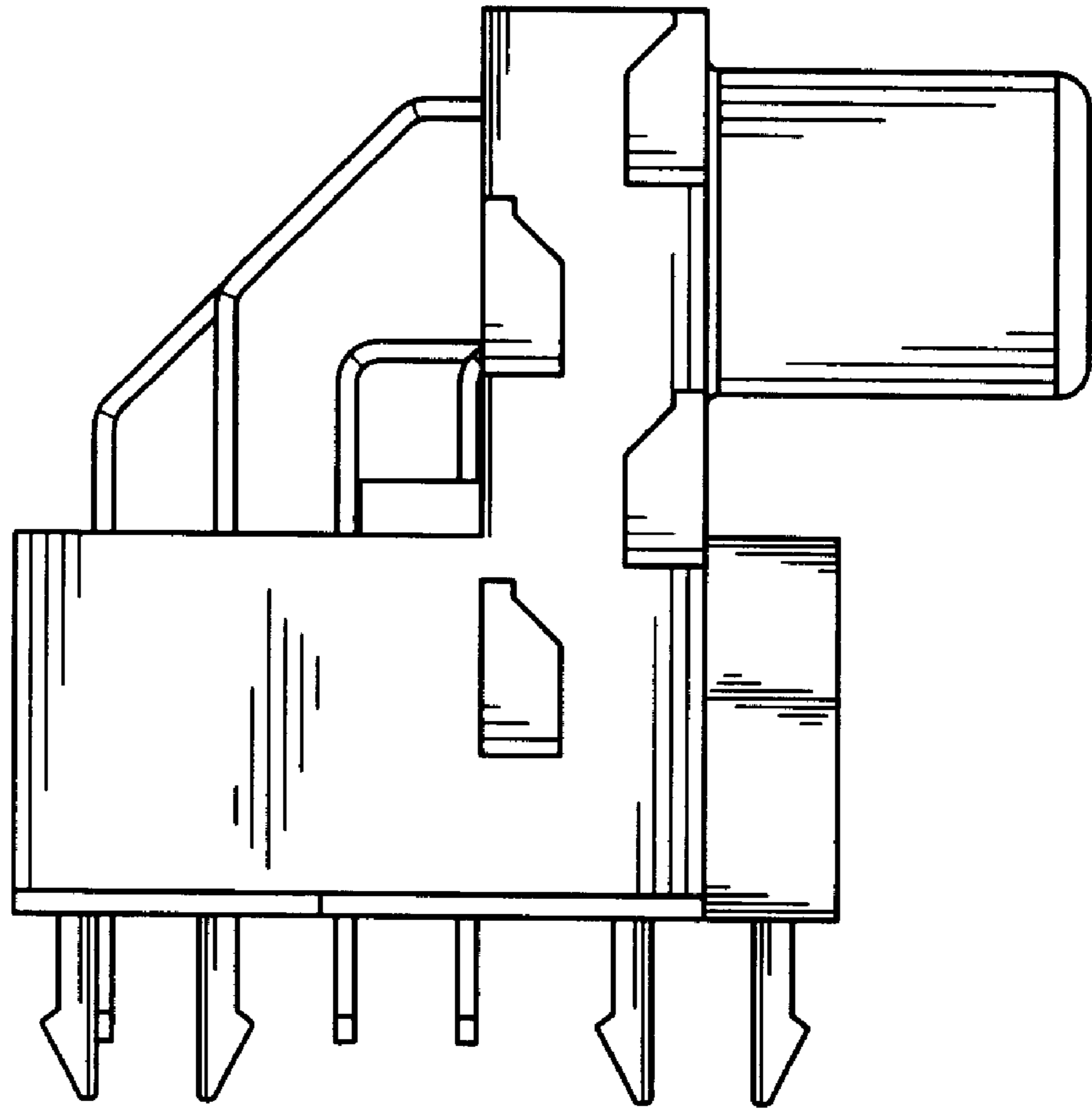


FIG. 5

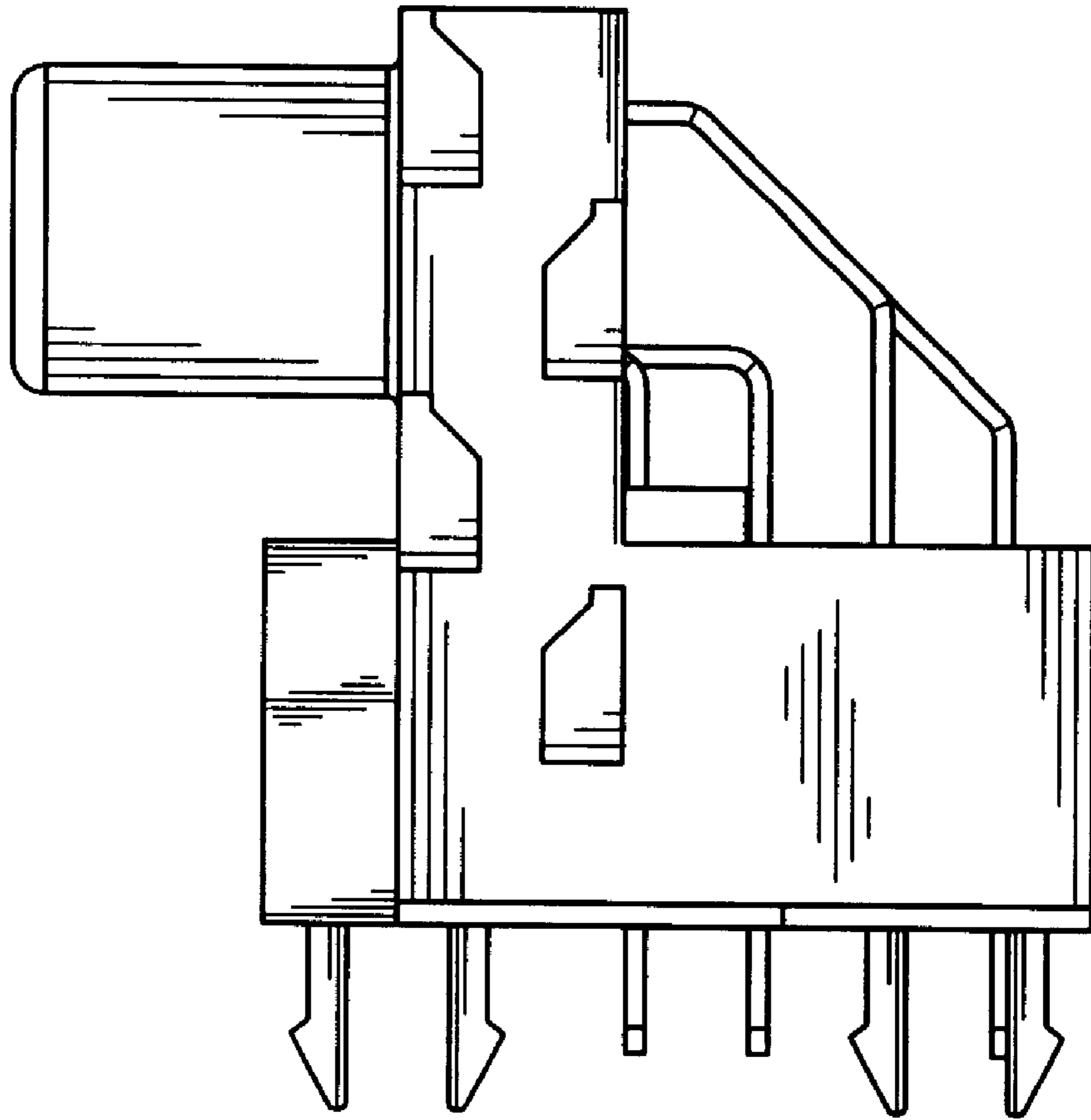


FIG. 6

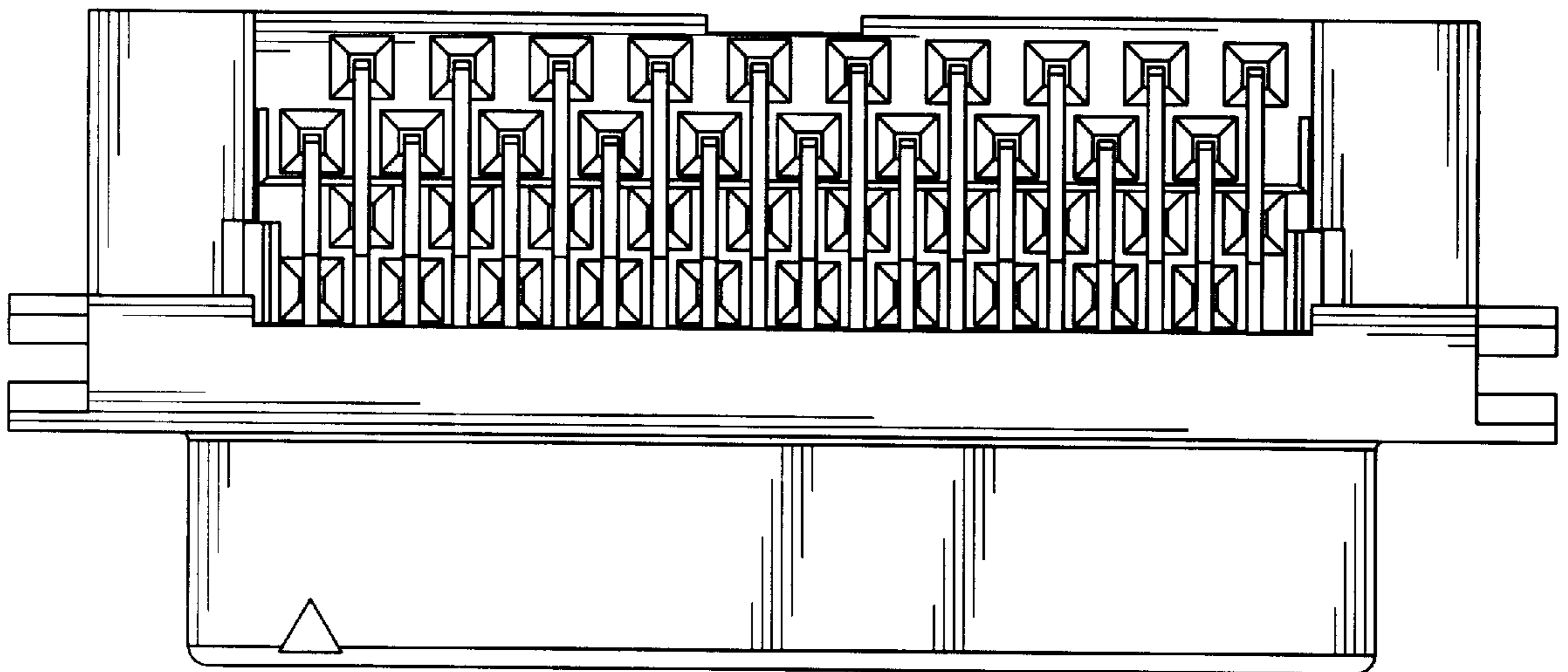


FIG. 7

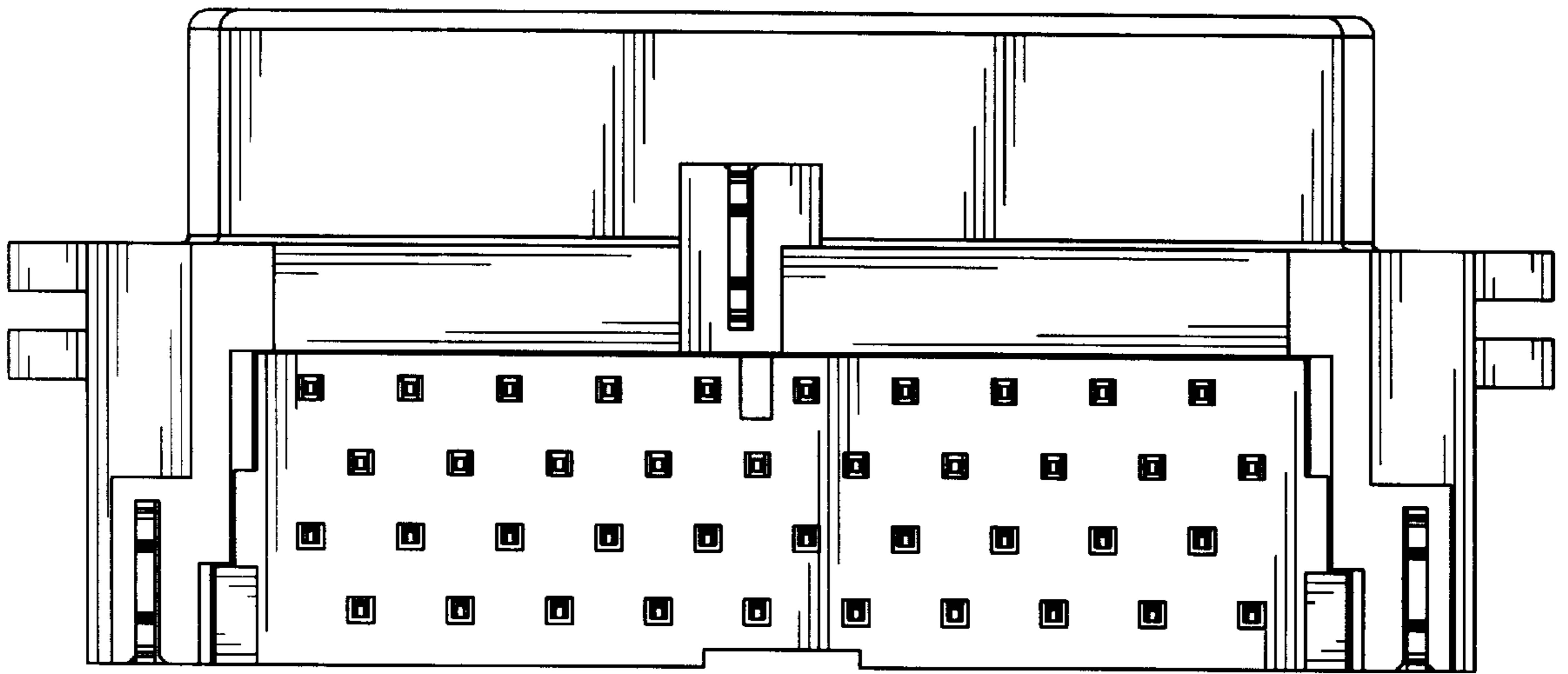


FIG. 8