



US00D426190S

United States Patent [19]
Higgins et al.

[11] **Patent Number: Des. 426,190**
[45] **Date of Patent: ** Jun. 6, 2000**

[54] **BATTERY**

[75] Inventors: **Charles T. Higgins**, Richmond, Va.;
Shozo Minagawa, Tokyo, Japan

[73] Assignee: **Philip Morris Incorporated**,
Richmond, Va.

[**] Term: **14 Years**

[21] Appl. No.: **29/094,759**

[22] Filed: **Oct. 9, 1998**

Related U.S. Application Data

[63] Continuation-in-part of application No. 29/067,130, Feb. 25,
1997, Pat. No. Des. 399,484.

[51] **LOC (7) Cl.** **13-02**

[52] **U.S. Cl.** **D13/119; D13/103**

[58] **Field of Search** **D13/103, 118,**
D13/119; 429/96-100, 163, 176

[56] **References Cited**

U.S. PATENT DOCUMENTS

- D. 240,433 7/1976 Krapowicz D13/108
- D. 295,511 5/1988 Scheid et al. .
- D. 299,226 1/1989 Toth et al. .
- D. 323,809 2/1992 Ross, Jr. .
- D. 329,649 9/1992 Stamps, Jr. et al. D14/217
- D. 334,169 3/1993 Antonczak .
- D. 346,878 5/1994 Gee et al. .
- D. 347,490 5/1994 Gee et al. .
- D. 355,158 2/1995 Alexandres et al. .

- D. 367,256 2/1996 Tokunaga .
- D. 368,552 4/1996 Adams .
- D. 375,482 11/1996 Andrews .
- D. 389,158 1/1998 Oross D14/250
- D. 399,484 10/1998 Higgins et al. .
- D. 404,356 1/1999 Higgins et al. .
- 5,388,594 2/1995 Counts et al. .
- 5,479,948 1/1996 Counts et al. .
- 5,505,214 4/1996 Collins et al. .
- 5,530,225 6/1996 Hajaligol .
- 5,564,442 10/1996 MacDonald et al. .
- 5,591,368 1/1997 Fleischhauer et al. .

Primary Examiner—Joel Sincavage
Attorney, Agent, or Firm—Burns, Doane, Swecker &
Mathis, L.L.P.

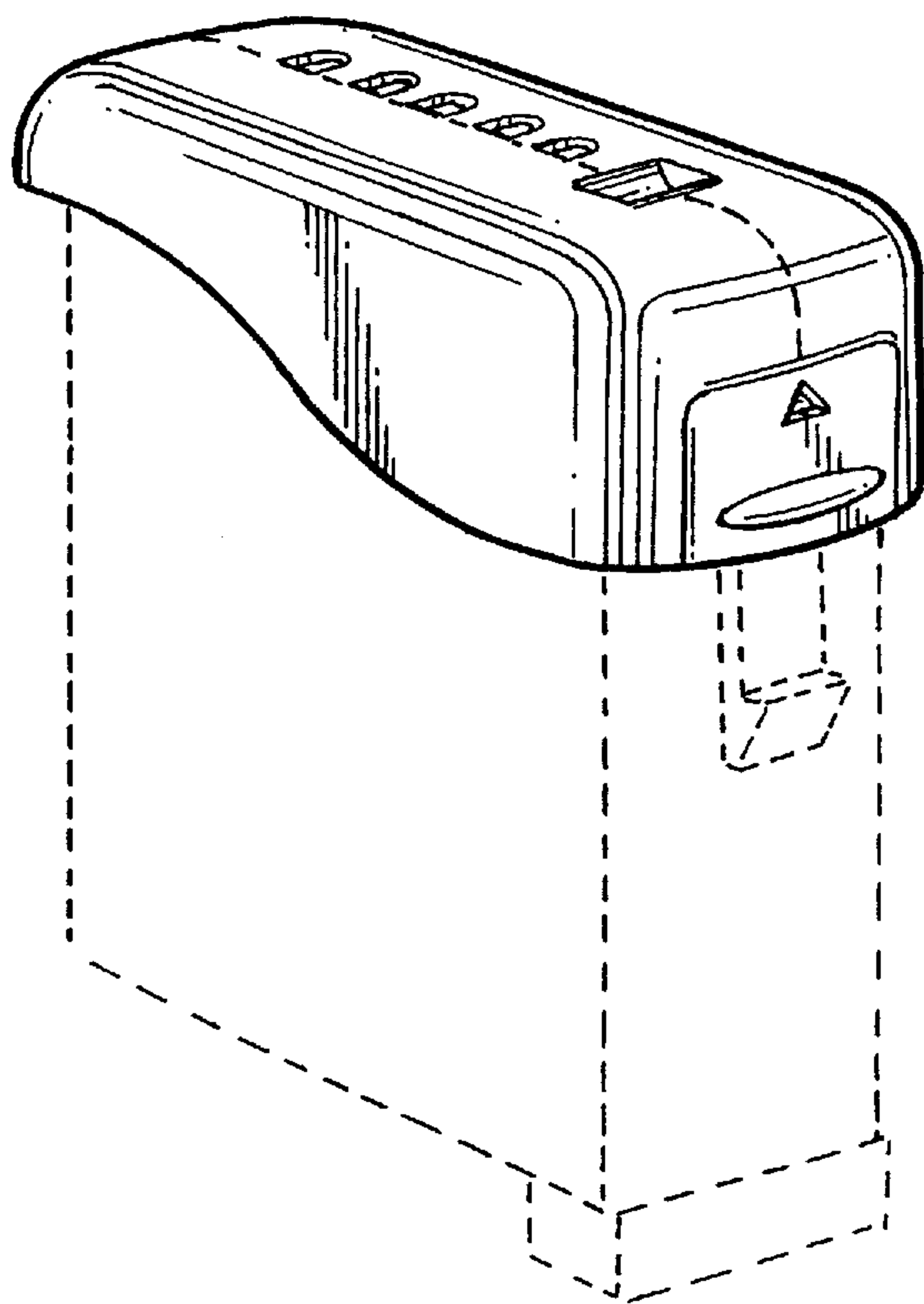
[57] **CLAIM**

I claim the ornamental design for the battery, as shown and described.

DESCRIPTION

FIG. 1 is a front elevational view of the battery incorporating my new design;
FIG. 2 is a rear elevational view thereof;
FIG. 3 is a right side elevational view thereof;
FIG. 4 is a left side elevational view thereof;
FIG. 5 is a bottom plan view thereof;
FIG. 6 is a top plan view thereof; and,
FIG. 7 is a left, front, top perspective view thereof.
The broken lines throughout the drawing figures illustrate the battery only and form no part of the claimed design.

1 Claim, 2 Drawing Sheets



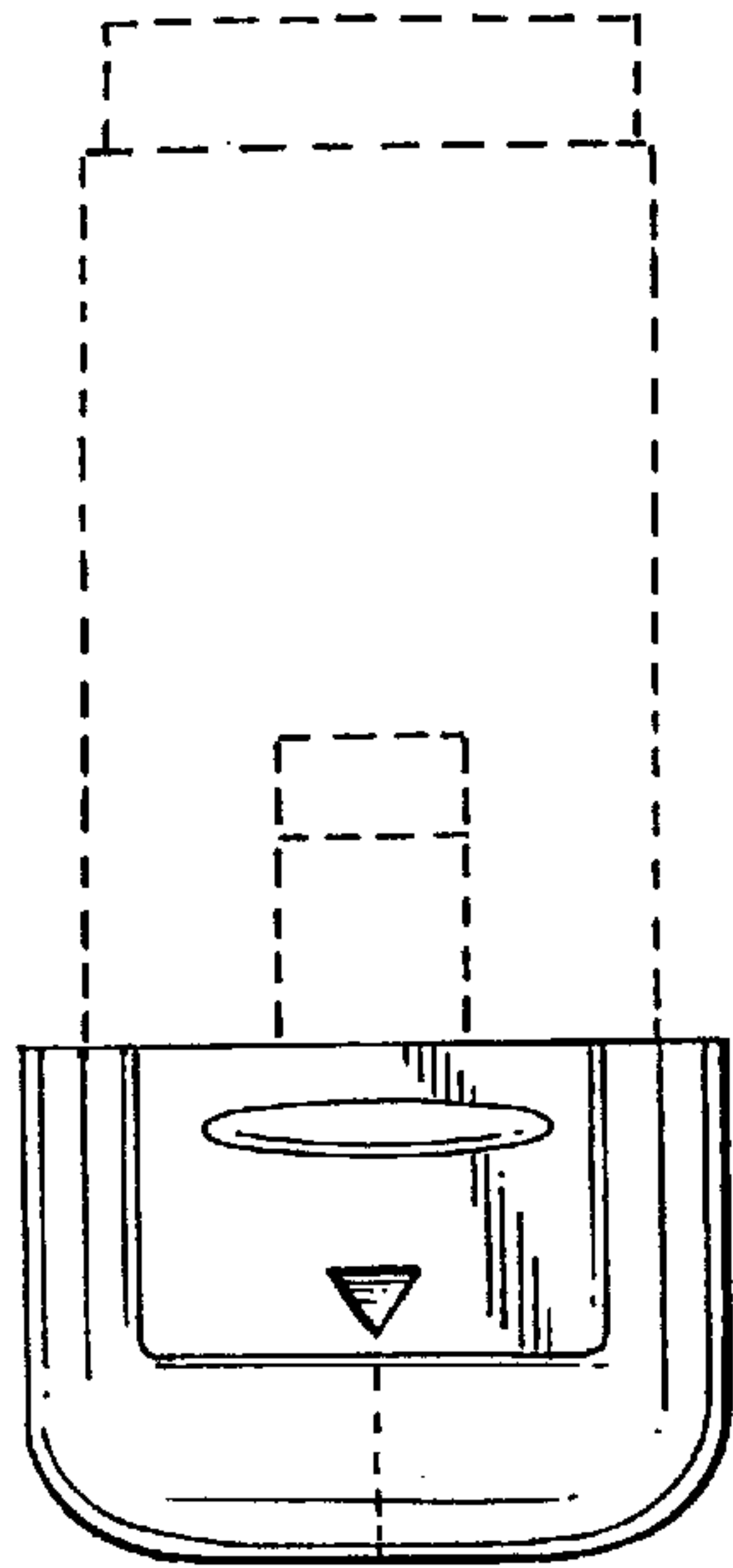


FIG. 1

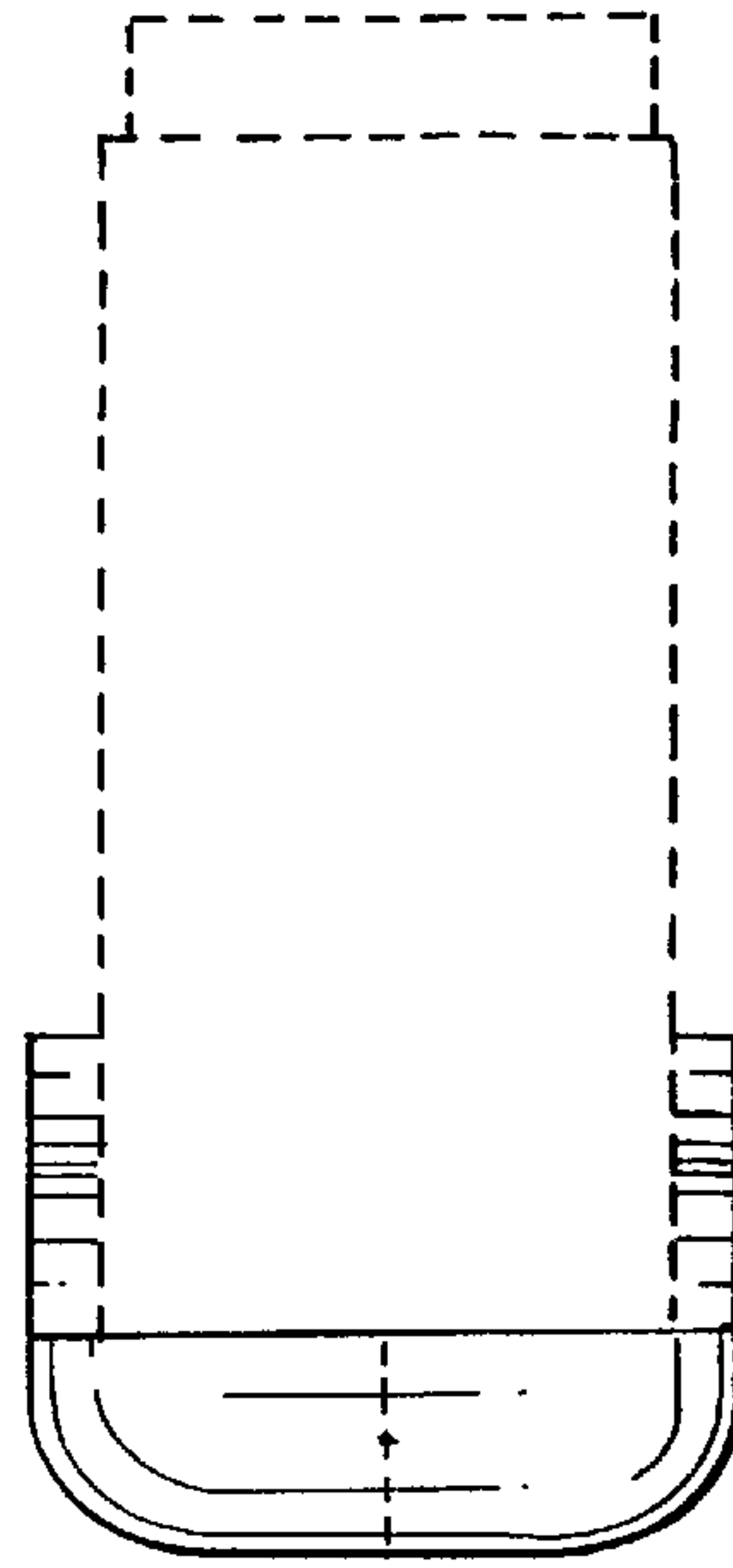


FIG. 2

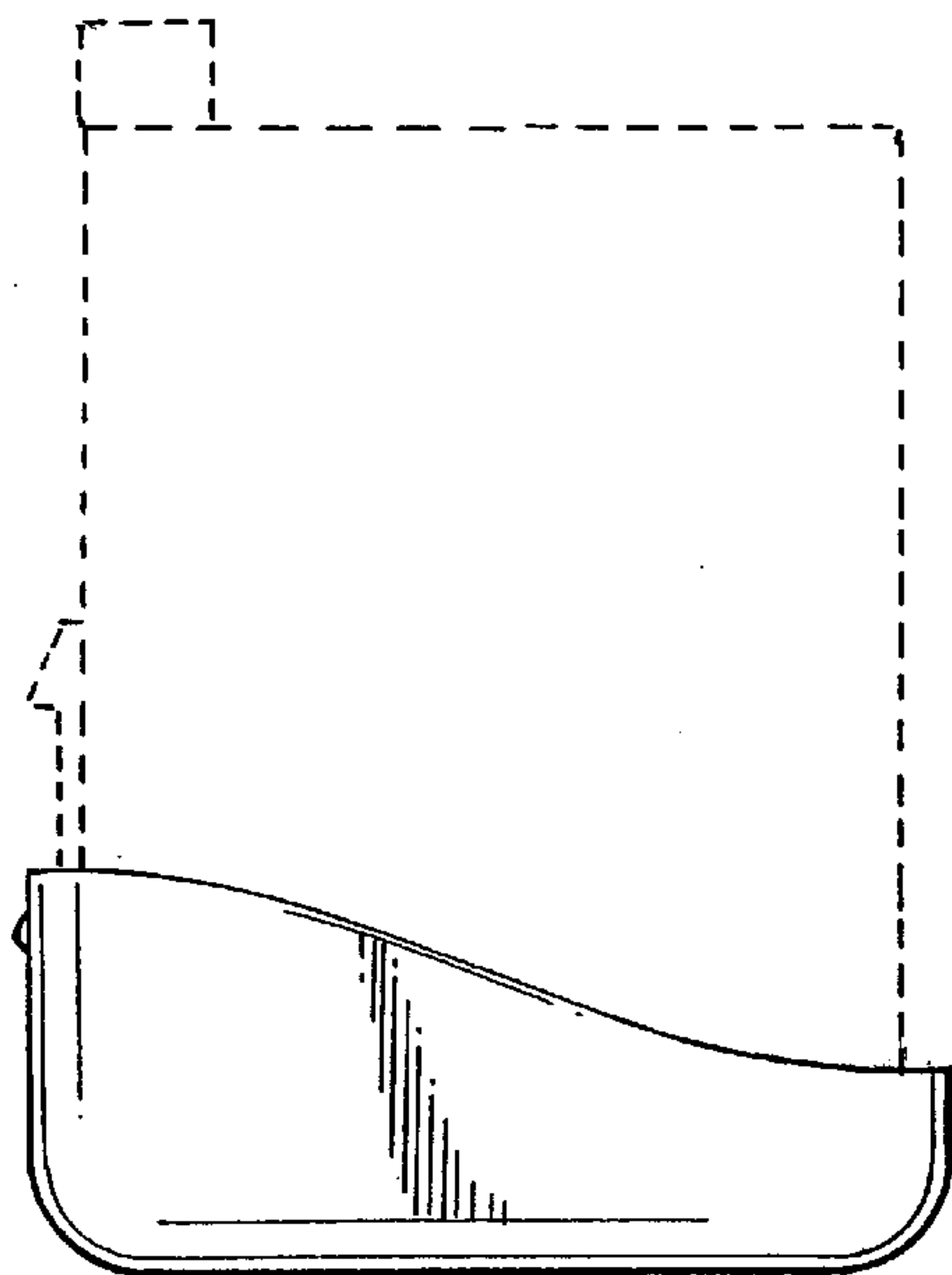


FIG. 3

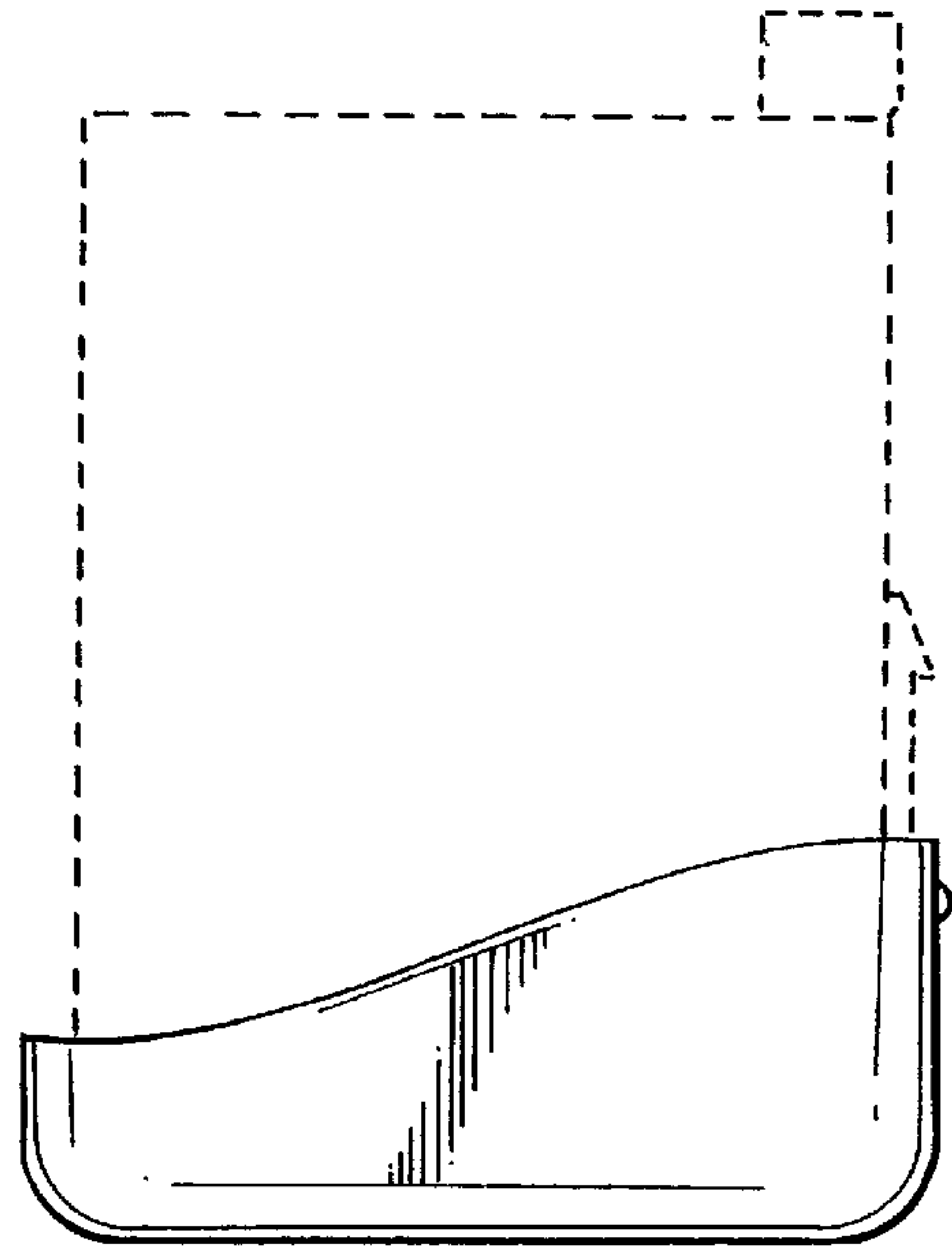


FIG. 4

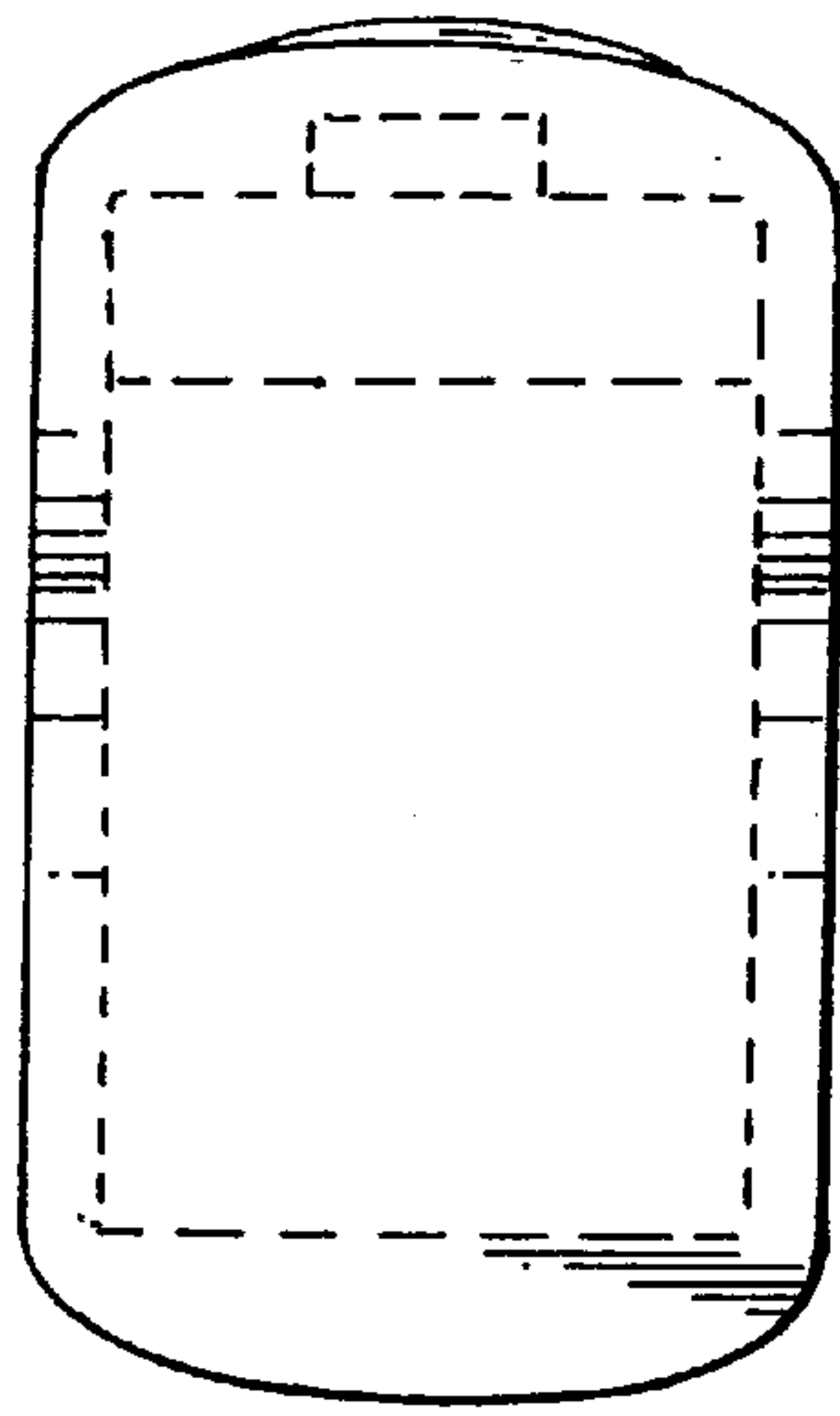


FIG. 5

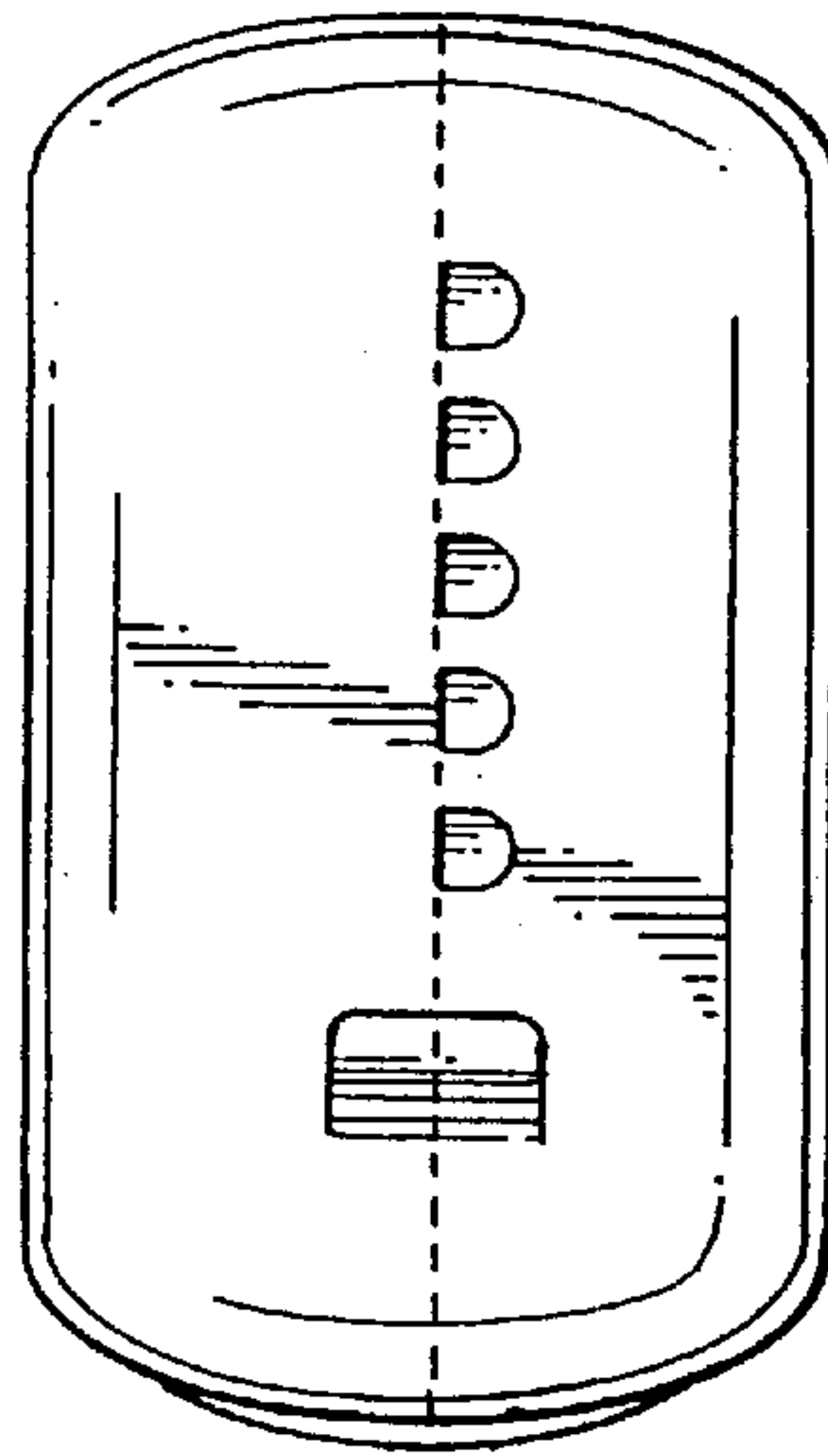


FIG. 6

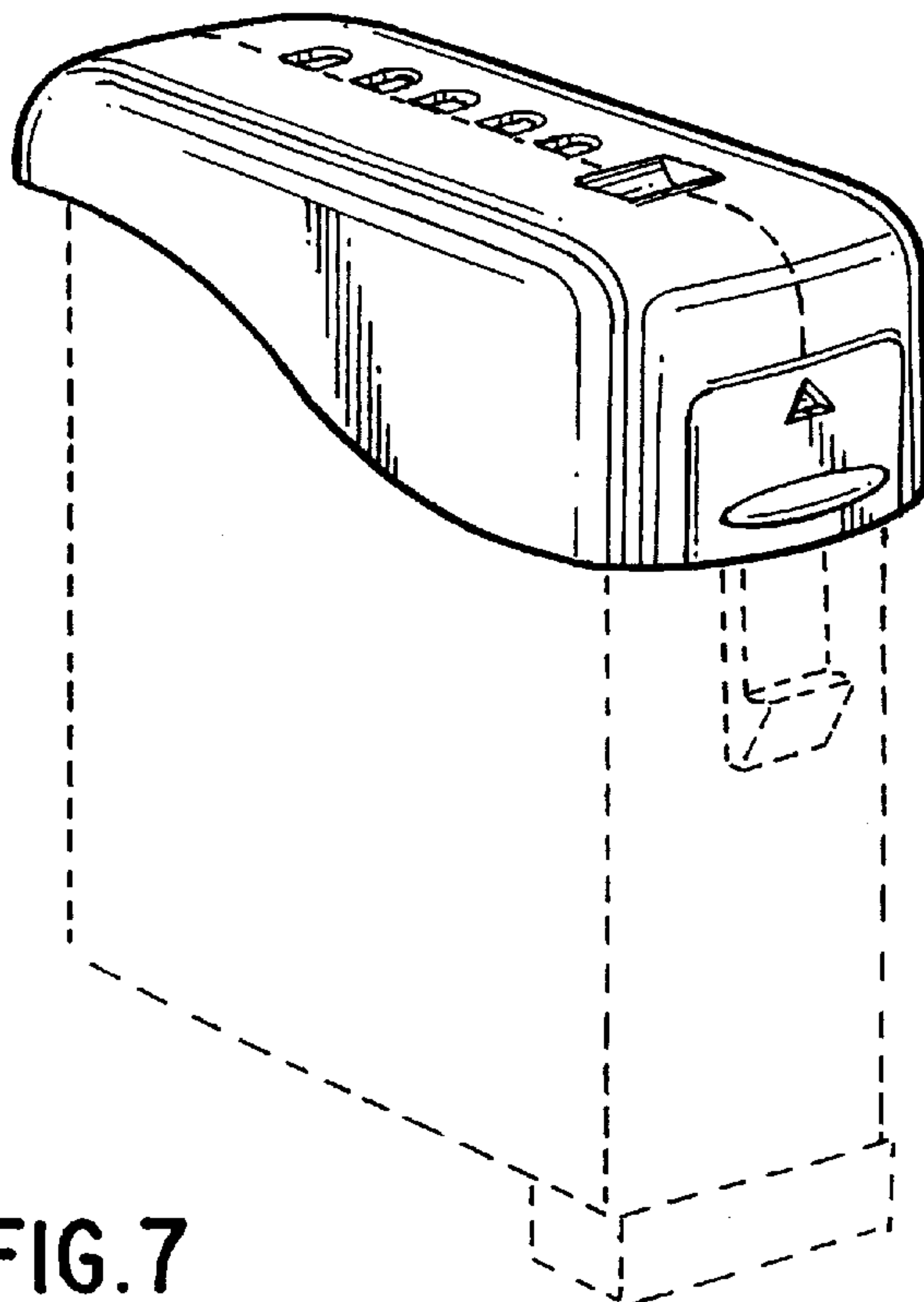


FIG. 7