



US00D426187S

United States Patent [19] Shultz

[11] **Patent Number: Des. 426,187**
[45] **Date of Patent: ** Jun. 6, 2000**

[54] **PICK-UP BED STORAGE UNIT**

4,733,898 3/1988 Williams 296/24
4,789,195 12/1988 Fletcher 296/37.6

[76] Inventor: **Darrell Shultz**, P.O. Box 168,
Wildomar, Calif. 92595

Primary Examiner—Caron D. Veynar
Assistant Examiner—Stacia Cadmus
Attorney, Agent, or Firm—Goldstein & Canino

[**] Term: **14 Years**

[21] Appl. No.: **29/111,835**

[57] **CLAIM**

[22] Filed: **Oct. 5, 1999**

The ornamental design for a pick-up bed storage unit, as shown and described.

[51] **LOC (7) Cl.** **12-99**

DESCRIPTION

[52] **U.S. Cl.** **D12/414.1**

[58] **Field of Search** D12/414.1, 221,
D12/406, 157, 423; 296/37.6, 37.1, 39.1,
39.2; 224/273, 42.42, 402-403, 311, 539,
542, 317

FIG. 1 is a diagrammatic perspective view of a pick-up bed storage unit, with one drawer open, in full lines with a pick-up truck shown in broken lines representing environmental association matter being for illustrative purposes only and forming no part of the claimed invention; FIG. 2 is a diagrammatic perspective view of the pick-up bed storage unit with the drawer shown in closed position; FIG. 3 is a front elevational view of FIG. 2; FIG. 4 is a rear elevational view of FIG. 2; FIG. 5 is a top plan view of FIG. 2; FIG. 6 is a bottom plan view of FIG. 2; FIG. 7 is a left side elevational view of the pick-up bed storage unit of FIG. 2; and, FIG. 8 is a right side elevational view of FIG. 2.

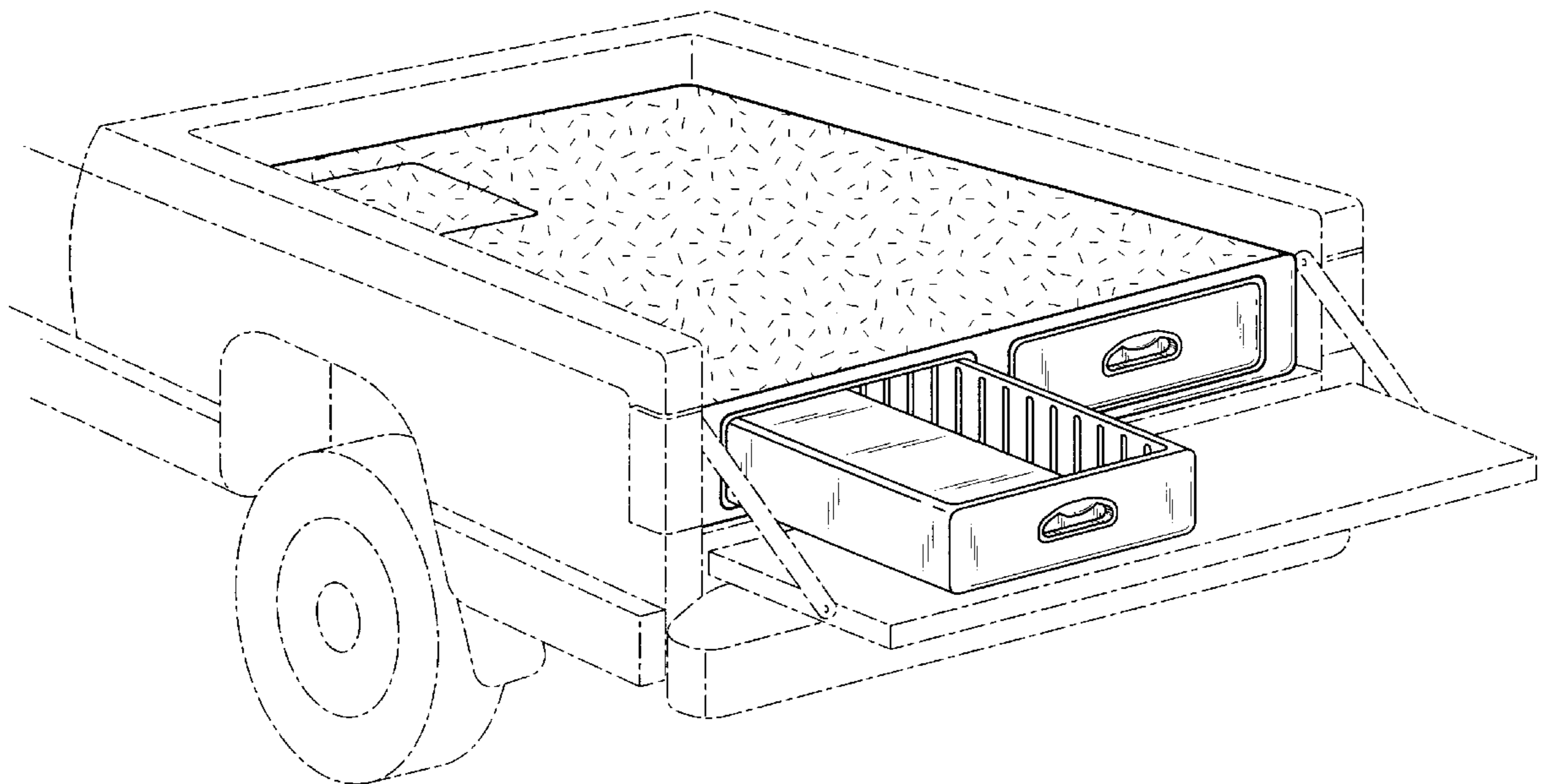
[56] **References Cited**

U.S. PATENT DOCUMENTS

| | | | | |
|------------|---------|---------------|-------|-----------|
| D. 305,315 | 1/1990 | Fletcher | | D12/157 |
| D. 310,504 | 9/1990 | Dortch | | D12/157 |
| D. 320,372 | 10/1991 | Alberts | | D12/414.1 |
| D. 353,046 | 12/1994 | Whitaker | | D12/423 X |
| D. 372,016 | 7/1996 | Wolford | | D12/423 |
| D. 373,106 | 8/1996 | Guidi | | D12/423 |
| D. 378,671 | 4/1997 | Herrs | | D12/423 X |
| D. 398,282 | 9/1998 | Dirks | | D12/221 |
| D. 398,575 | 9/1998 | Blanton | | D12/221 |
| D. 411,164 | 6/1999 | Harris | | D12/414.1 |
| 4,469,364 | 9/1984 | Rafi-Zadeh | | 296/37.6 |
| 4,573,731 | 3/1986 | Knaack et al. | | 296/376 |

The surface(s) or portion(s) of the article not shown in the drawing or described in the specification form(s) no part of the claimed design.

1 Claim, 3 Drawing Sheets



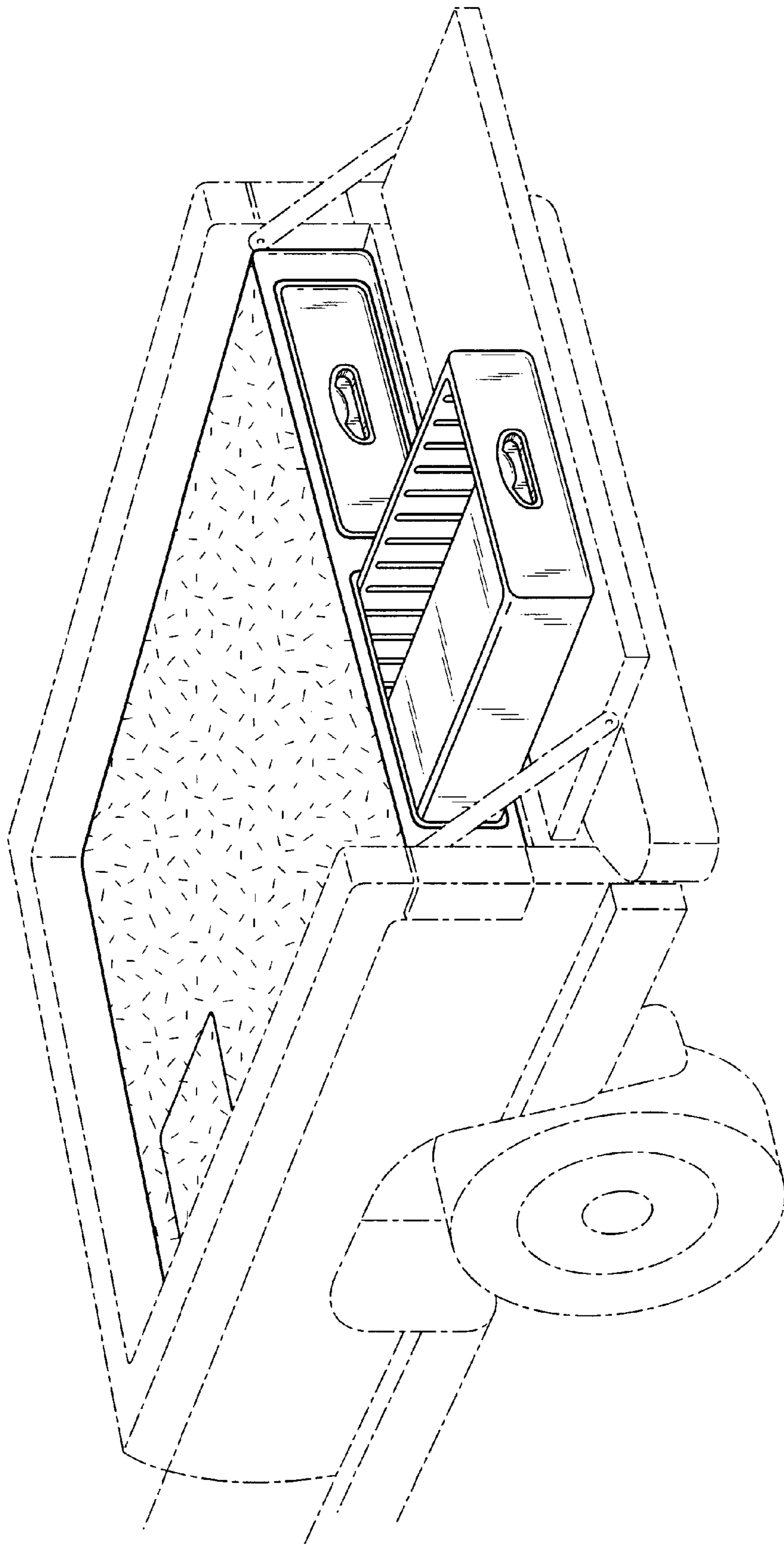


FIG. 1

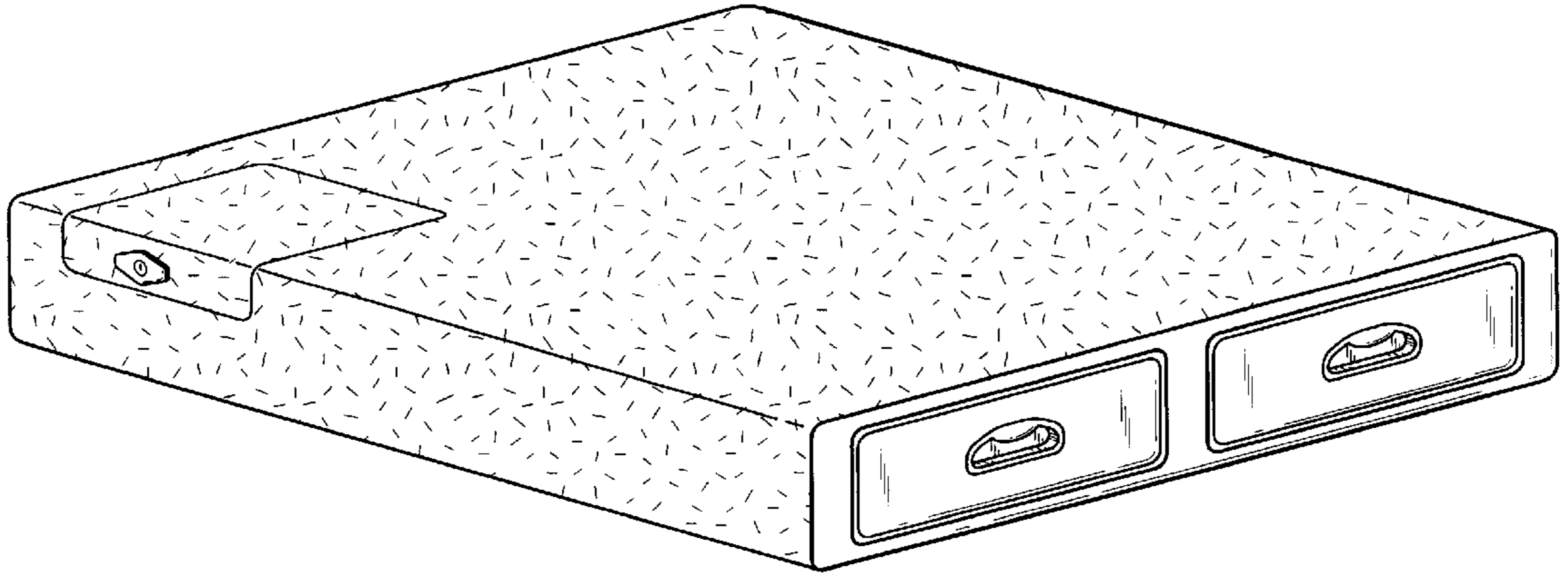


FIG. 2

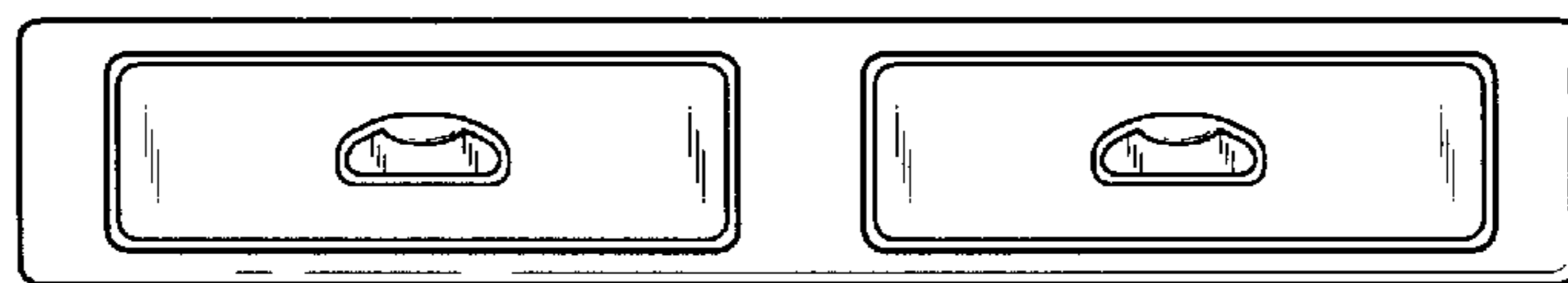


FIG. 3



FIG. 4

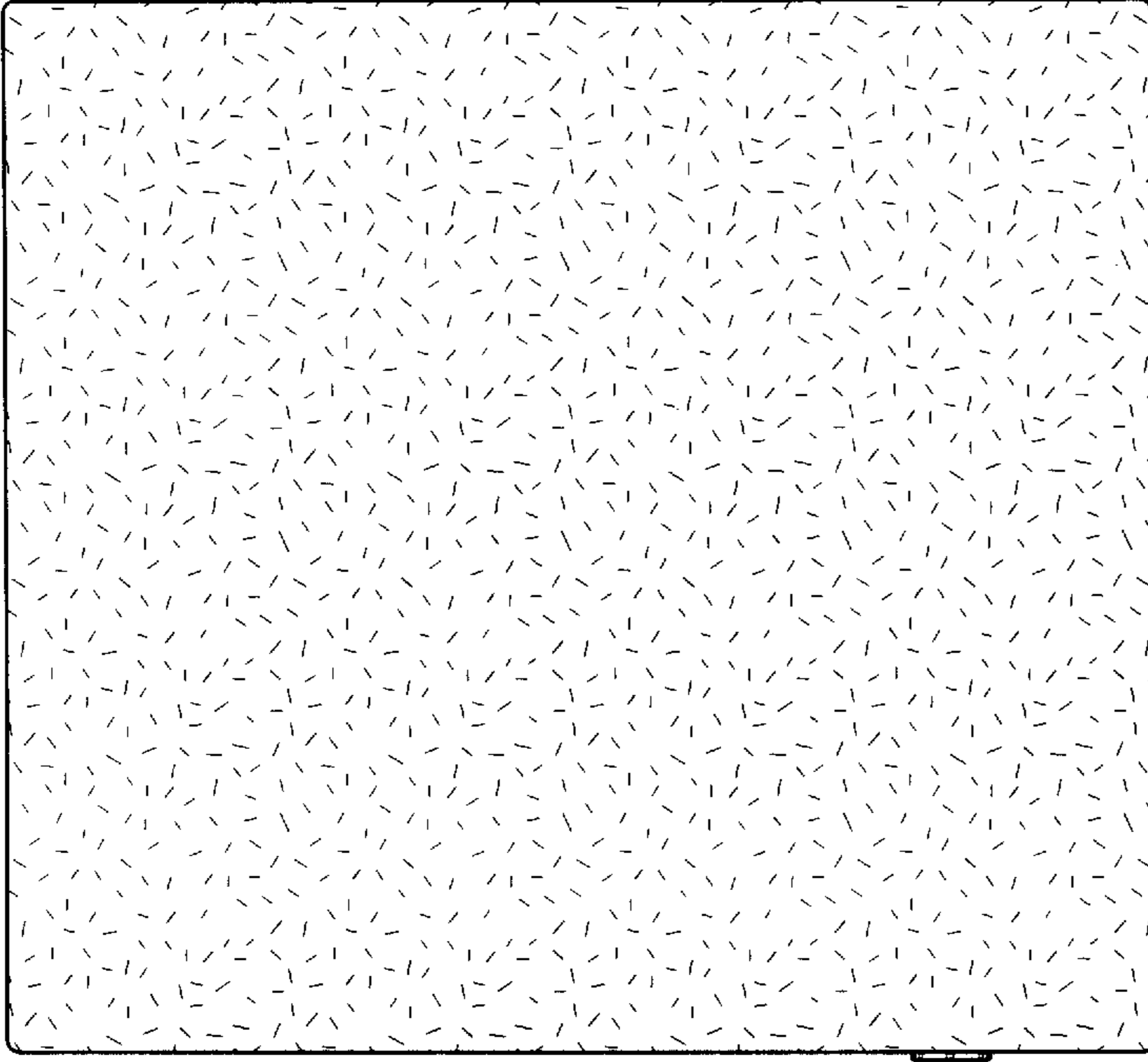


FIG. 5

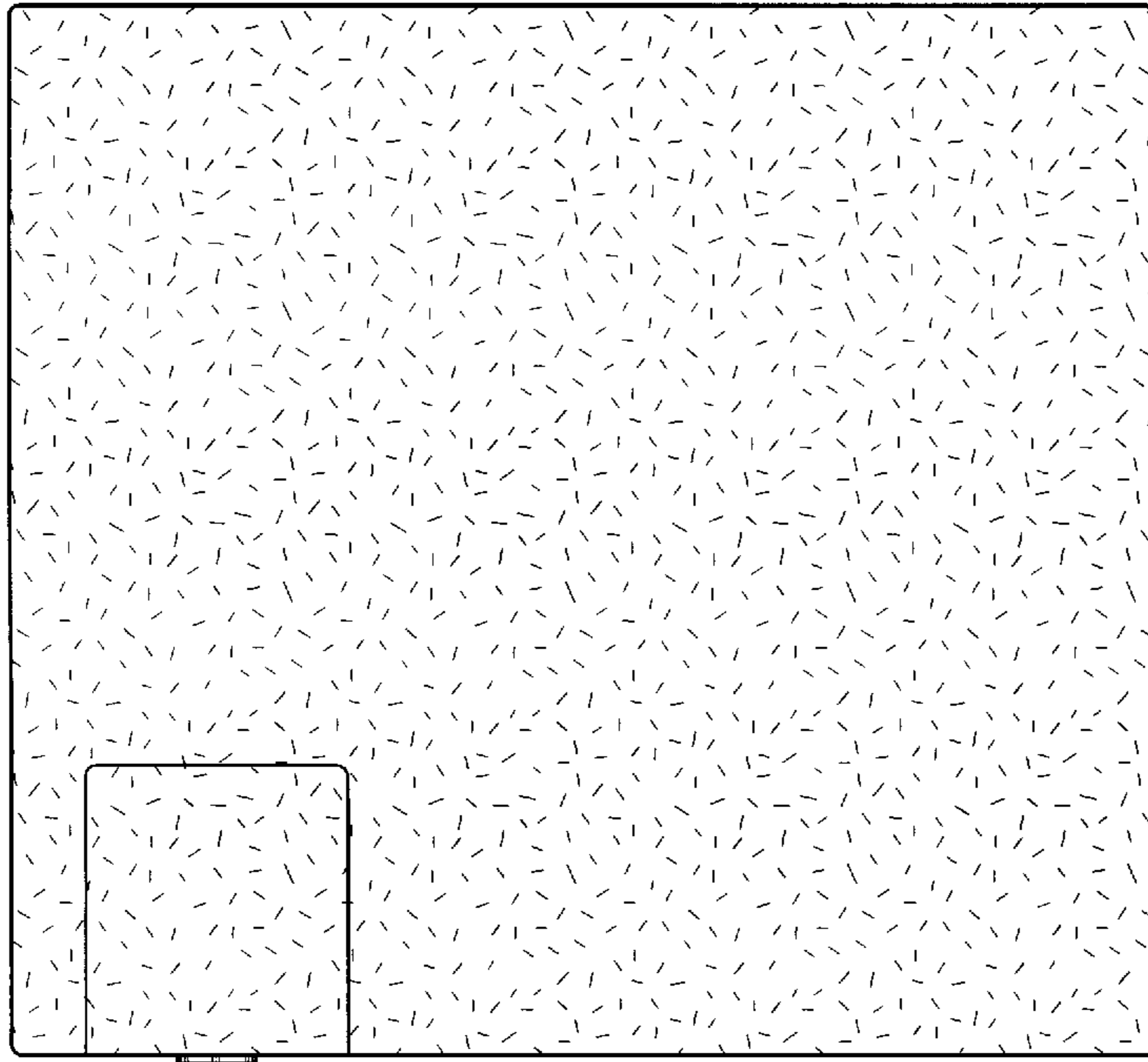


FIG. 6

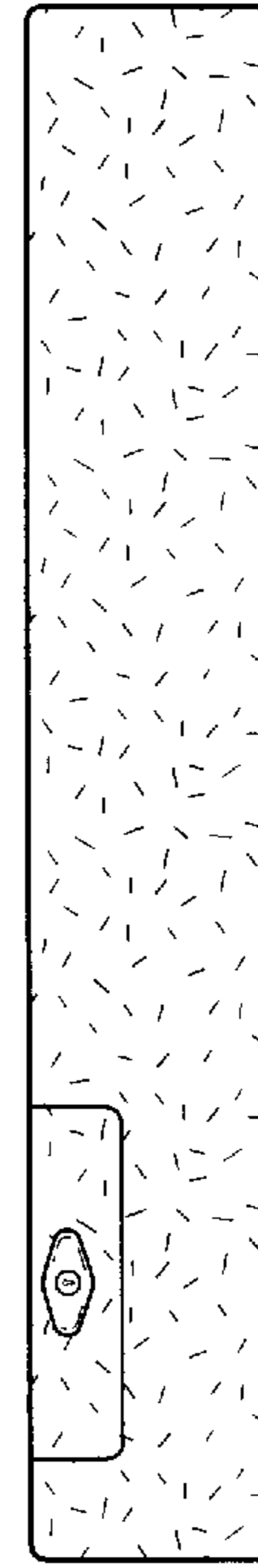


FIG. 7



FIG. 8