



US00D426186S

**United States Patent** [19]  
**McCoy et al.**

[11] **Patent Number: Des. 426,186**  
[45] **Date of Patent: \*\* Jun. 6, 2000**

[54] **ADAPTOR FOR BICYCLE RACK**  
[75] Inventors: **Richard W. McCoy**, Granger;  
**Katherine A. Adams**, Mishawaka, both  
of Ind.

4,785,980 11/1988 Redick .  
5,449,100 9/1995 Eckhart .  
5,579,972 12/1996 Despain .  
5,713,501 2/1998 Yokoyama et al. .... 224/509 X

[73] Assignee: **Reese Products, Inc.**, Elkhart, Ind.

*Primary Examiner*—Melody N. Brown  
*Attorney, Agent, or Firm*—King and Schickli

[\*\*] Term: **14 Years**

[57] **CLAIM**

[21] Appl. No.: **29/095,817**

The ornamental design of a adaptor for bicycle rack, as shown and described.

[22] Filed: **Oct. 30, 1998**

**DESCRIPTION**

[51] **LOC (7) Cl.** ..... **12-11**

[52] **U.S. Cl.** ..... **D12/408**

[58] **Field of Search** ..... D12/408; 224/506,  
224/509, 521, 519, 502, 517, 488, 492,  
924, 537, 917

FIG. 1 is a perspective view of the adaptor for bicycle rack of the present invention;  
FIG. 2 is a front elevational view thereof;  
FIG. 3 is a right side elevational view, the left side elevational view being a substantial mirror image thereof;  
FIG. 4 is a rear elevational view thereof;  
FIG. 5 is a top plan view thereof; and,  
FIG. 6 is a bottom plan view thereof.

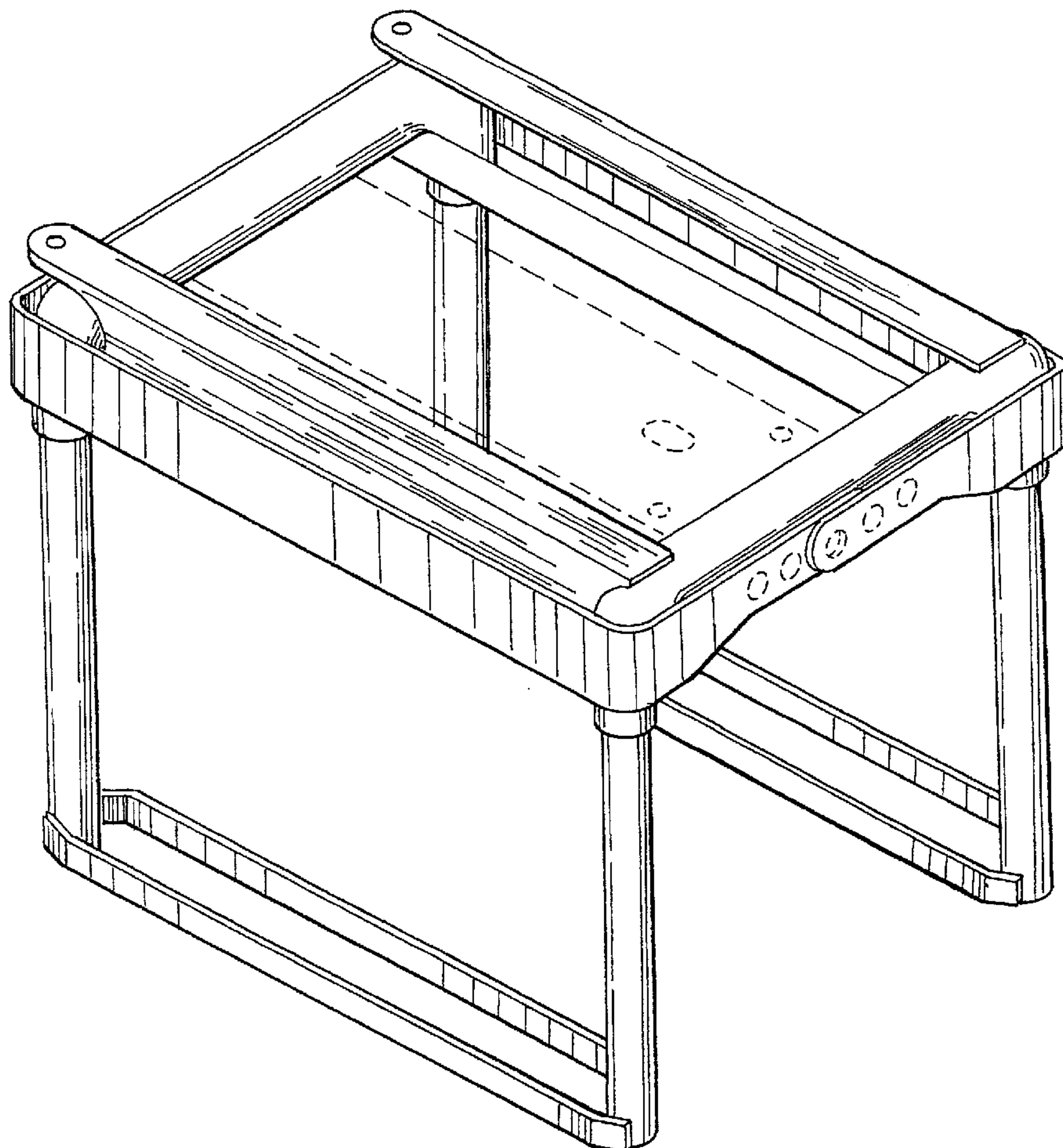
[56] **References Cited**

**U.S. PATENT DOCUMENTS**

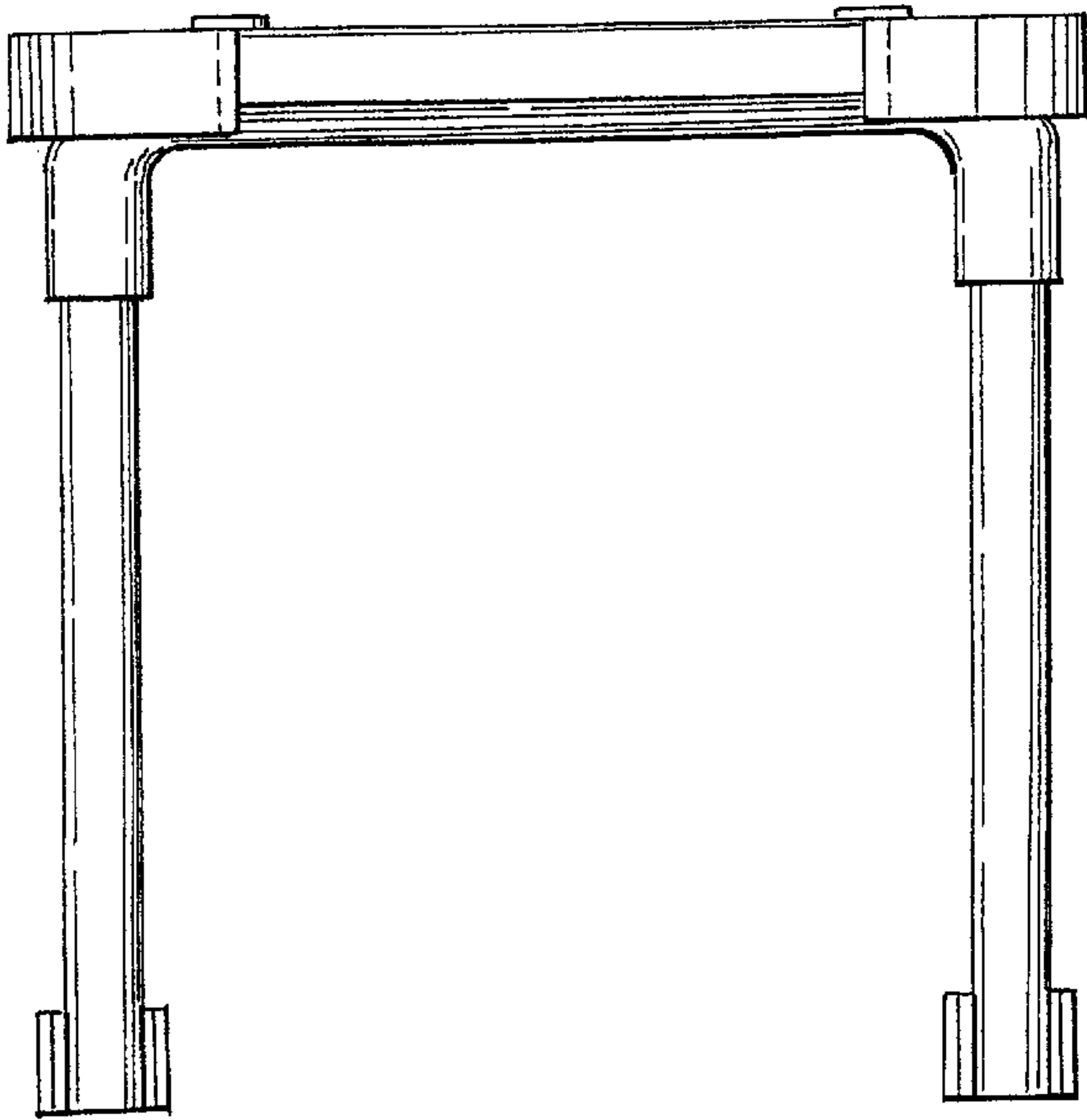
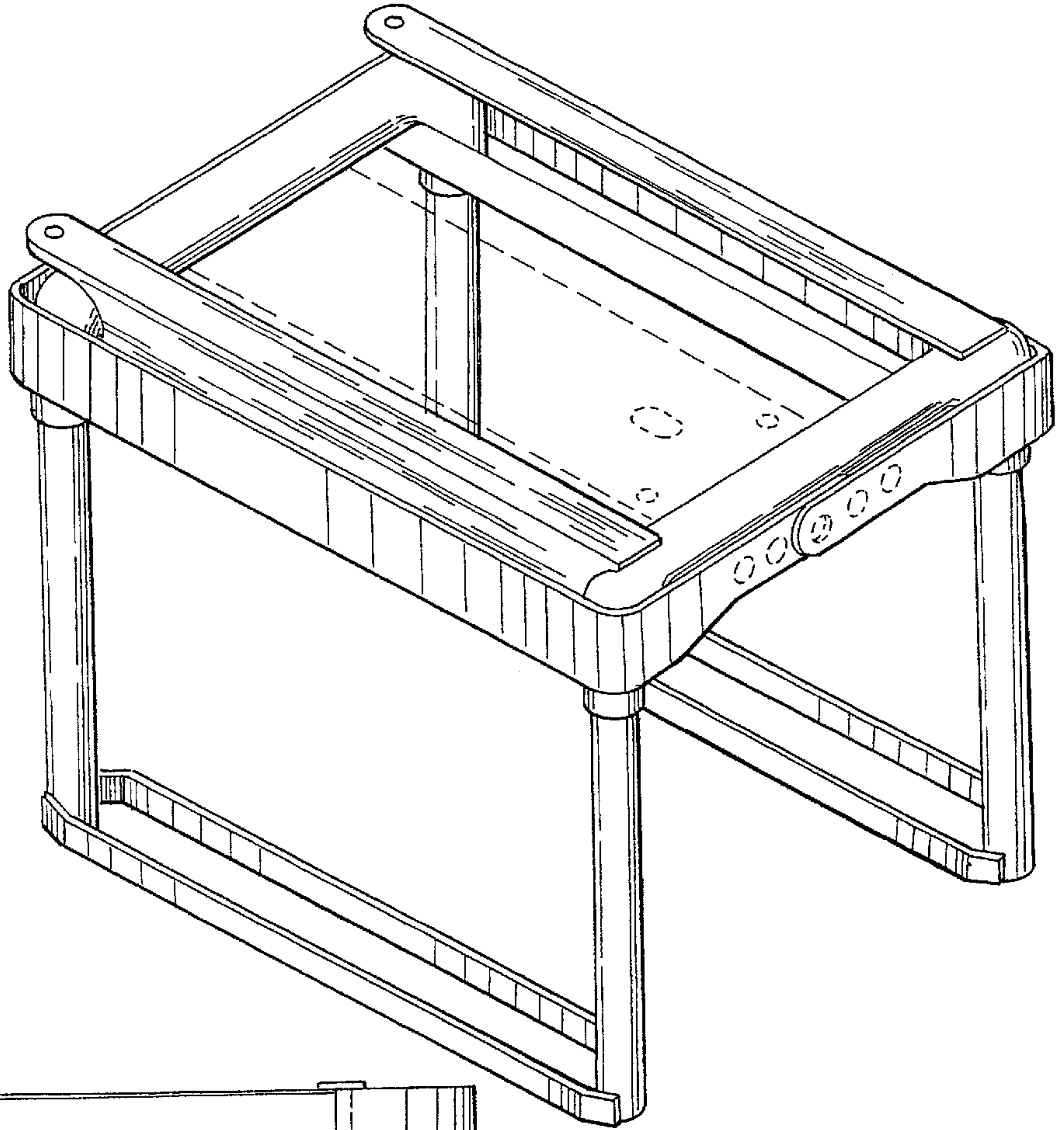
D. 369,340	4/1996	Lichtbach	.....	D12/408
D. 393,621	4/1998	Greyary	.....	D12/408
D. 409,557	5/1999	Armour	.....	D12/408
4,676,414	6/1987	Deguevara	.	

The broken lines shown throughout the drawing are for illustrative purposes only and form no part of the claimed design.

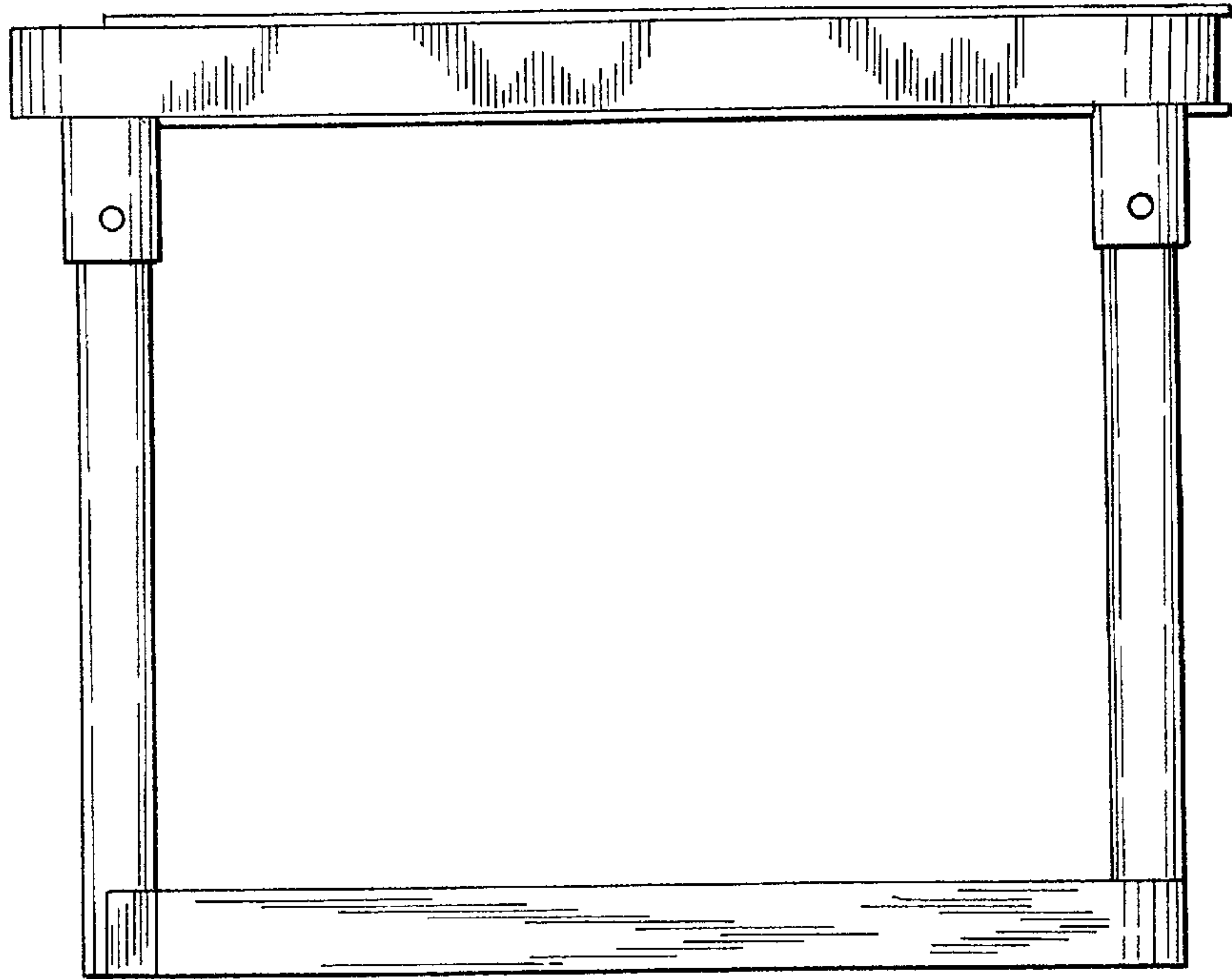
**1 Claim, 3 Drawing Sheets**



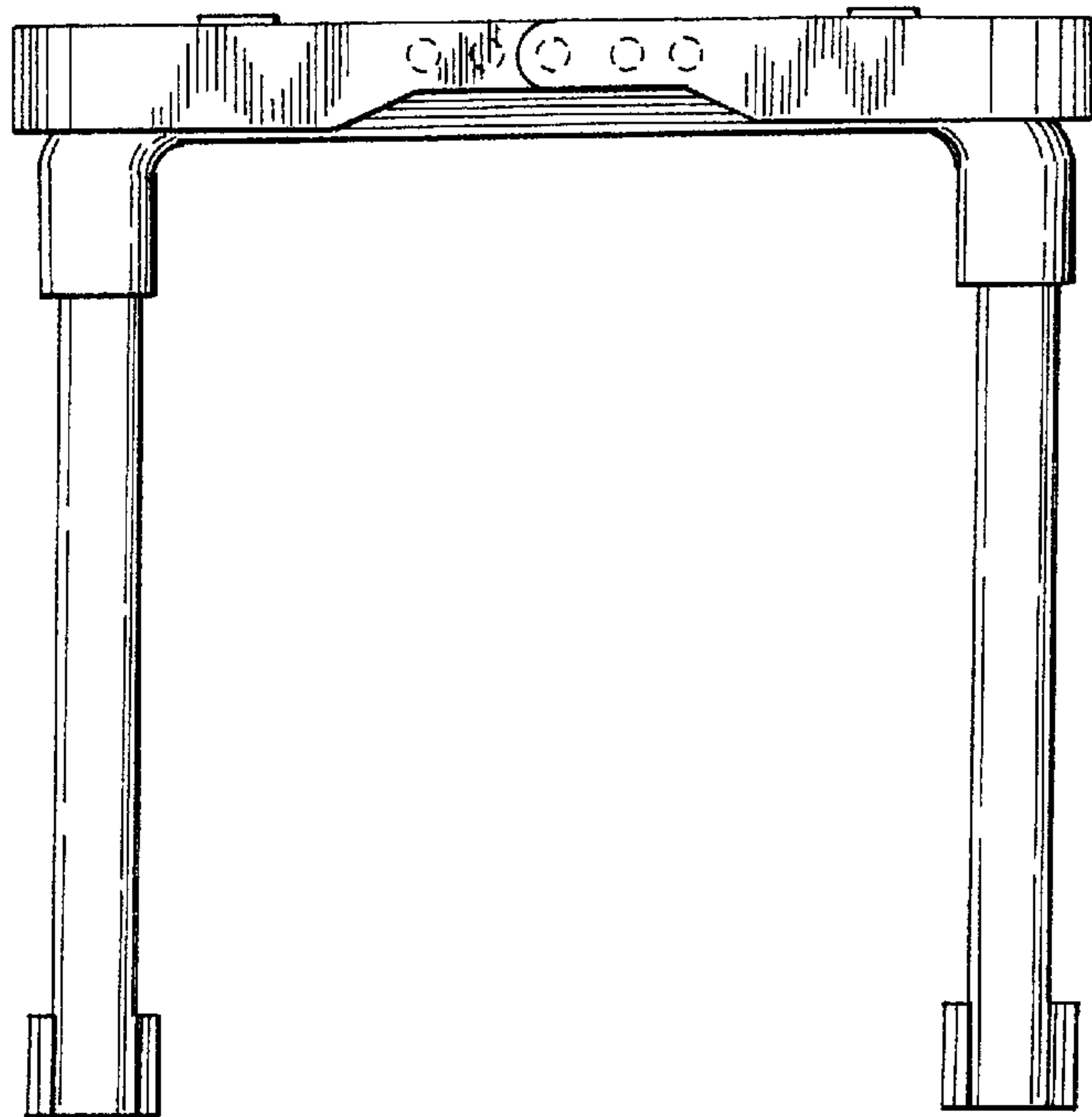
*Fig. 1*



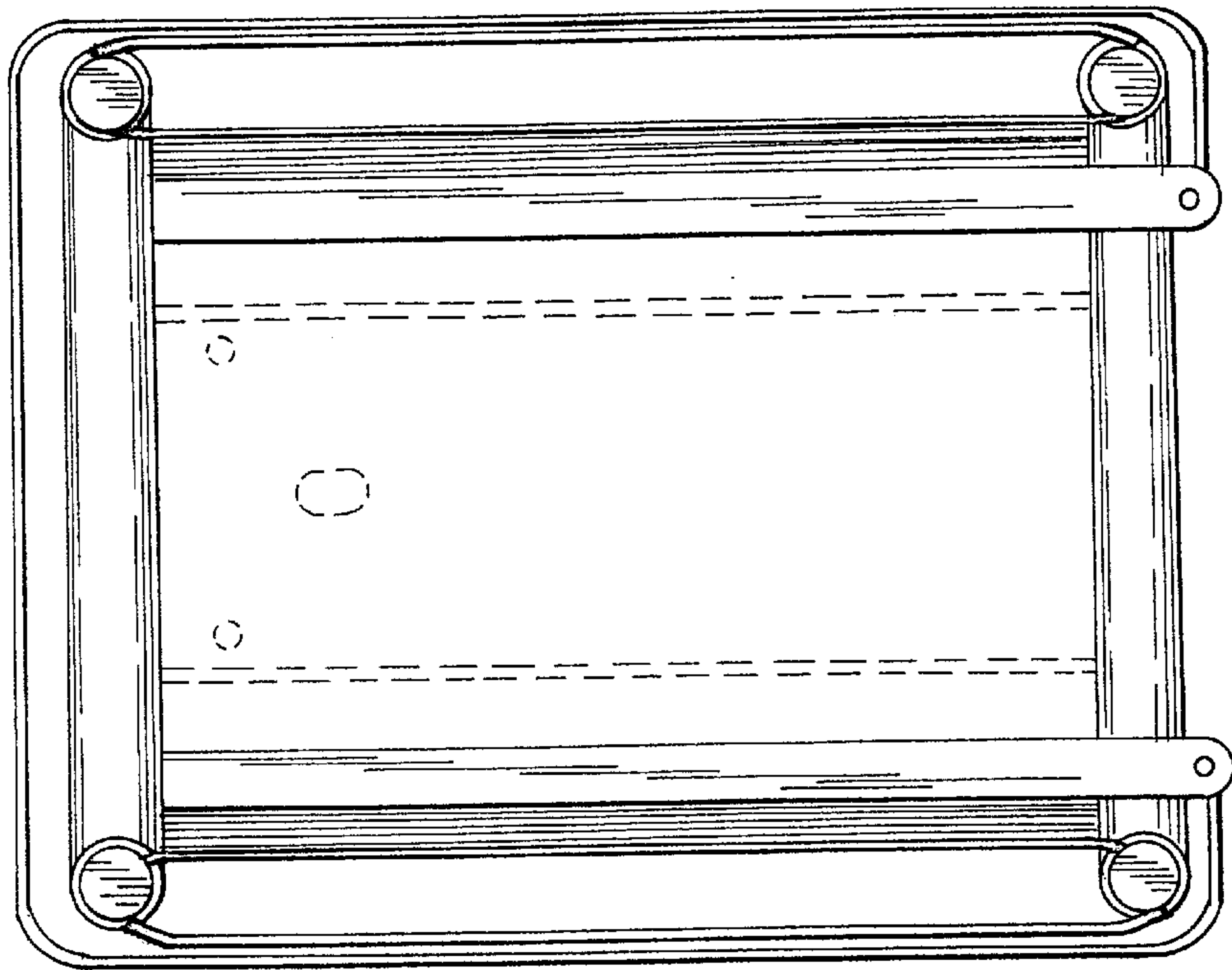
*Fig. 2*



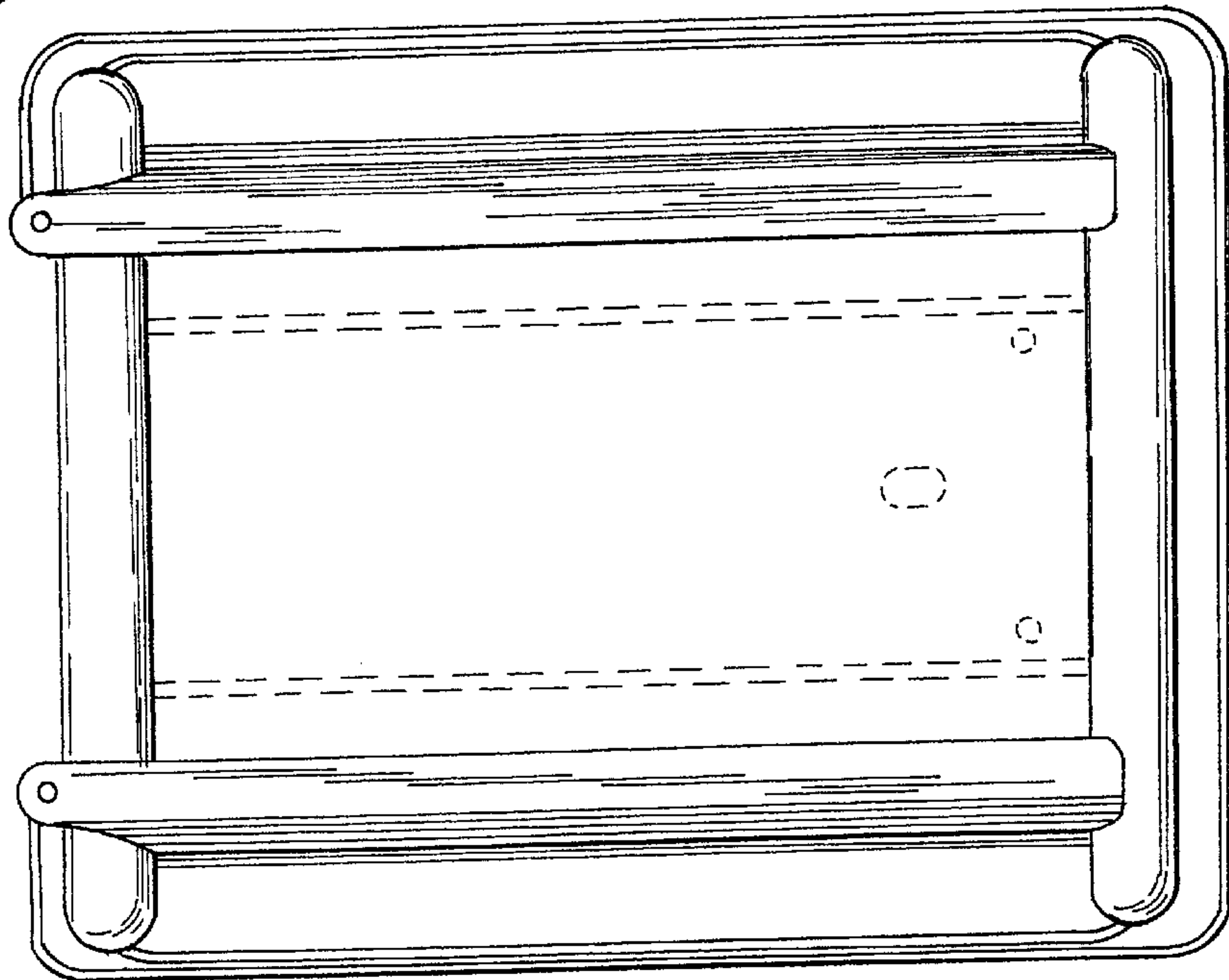
*Fig. 3*



*Fig. 4*



*Fig 6*



*Fig 5*