



US00D426182S

# United States Patent [19]

**Brown**

[11] **Patent Number: Des. 426,182**

[45] **Date of Patent: \*\* Jun. 6, 2000**

[54] **AUXILIARY MIRROR WITH ATTACHMENT BRACKET**

[76] Inventor: **Stephen Brown**, 1189 New Brunswick Ave., Rahway, N.J. 07065

[\*\*] Term: **14 Years**

[21] Appl. No.: **29/113,833**

[22] Filed: **Nov. 12, 1999**

[51] **LOC (7) Cl.** ..... **12-16**

[52] **U.S. Cl.** ..... **D12/189**

[58] **Field of Search** ..... D12/187-189;  
359/838, 843, 844, 850, 868, 871, 872,  
874, 876, 877, 881, 841; 248/475.1, 480,  
481, 479, 487, 494, 483

[56] **References Cited**

**U.S. PATENT DOCUMENTS**

- D. 263,948 4/1982 Niggemann ..... D12/189
- D. 307,571 5/1990 Owen et al. .... D12/187
- D. 350,521 9/1994 Hu ..... D12/187

4,905,954 3/1990 Taylor ..... D12/187

*Primary Examiner*—Ralf Seifert

[57] **CLAIM**

The ornamental design for an auxiliary mirror with attachment bracket, as shown and described.

**DESCRIPTION**

FIG. 1 is a perspective view of an auxiliary mirror with attachment bracket in full lines with a stationary mirror shown in broken lines representing environmental association matter being for illustrative purposes only and forming no part of the claimed invention.

FIG. 2 is a front elevational view of the auxiliary mirror with attachment bracket.

FIG. 3 is a rear elevational view thereof.

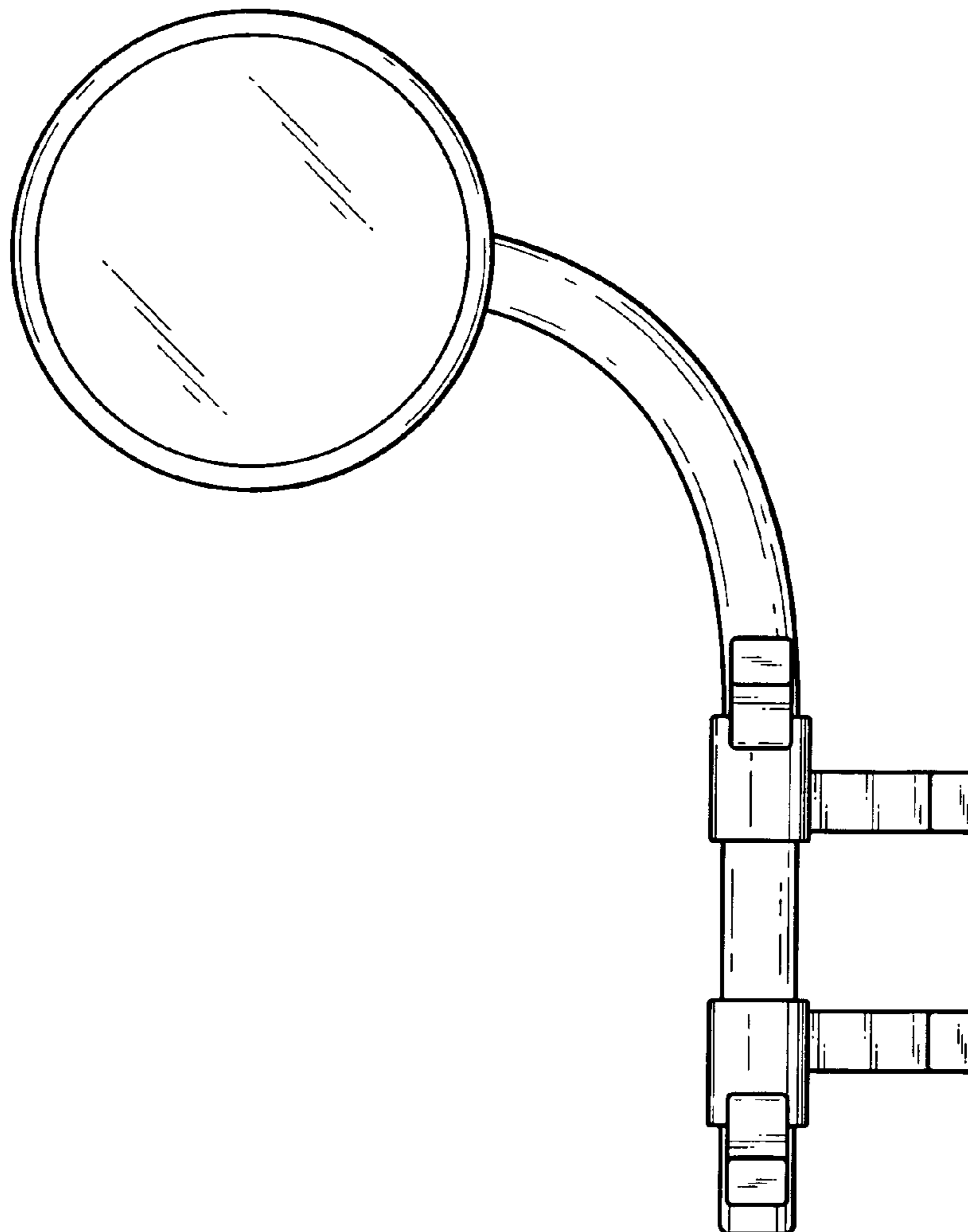
FIG. 4 is a right side elevational view thereof.

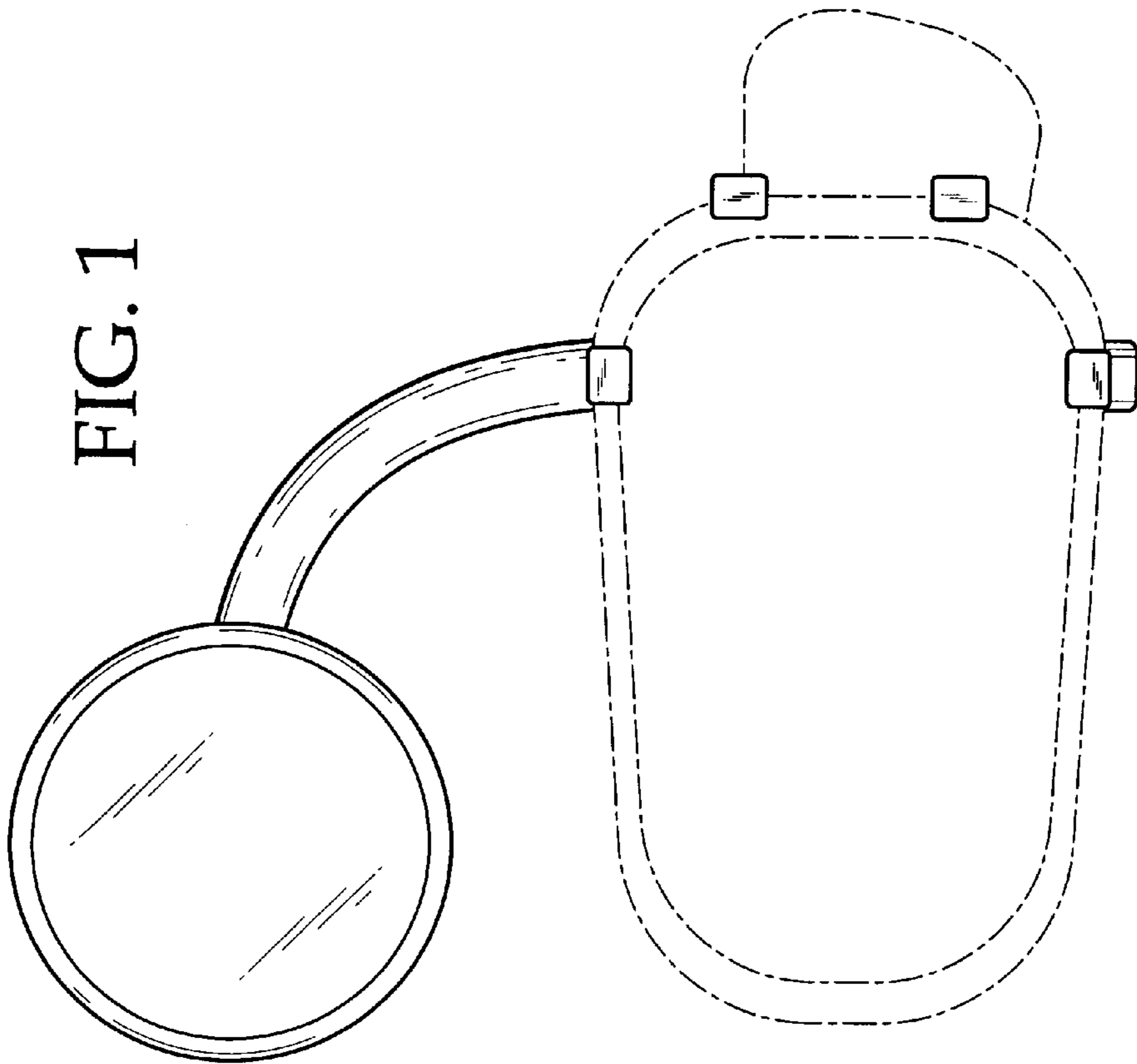
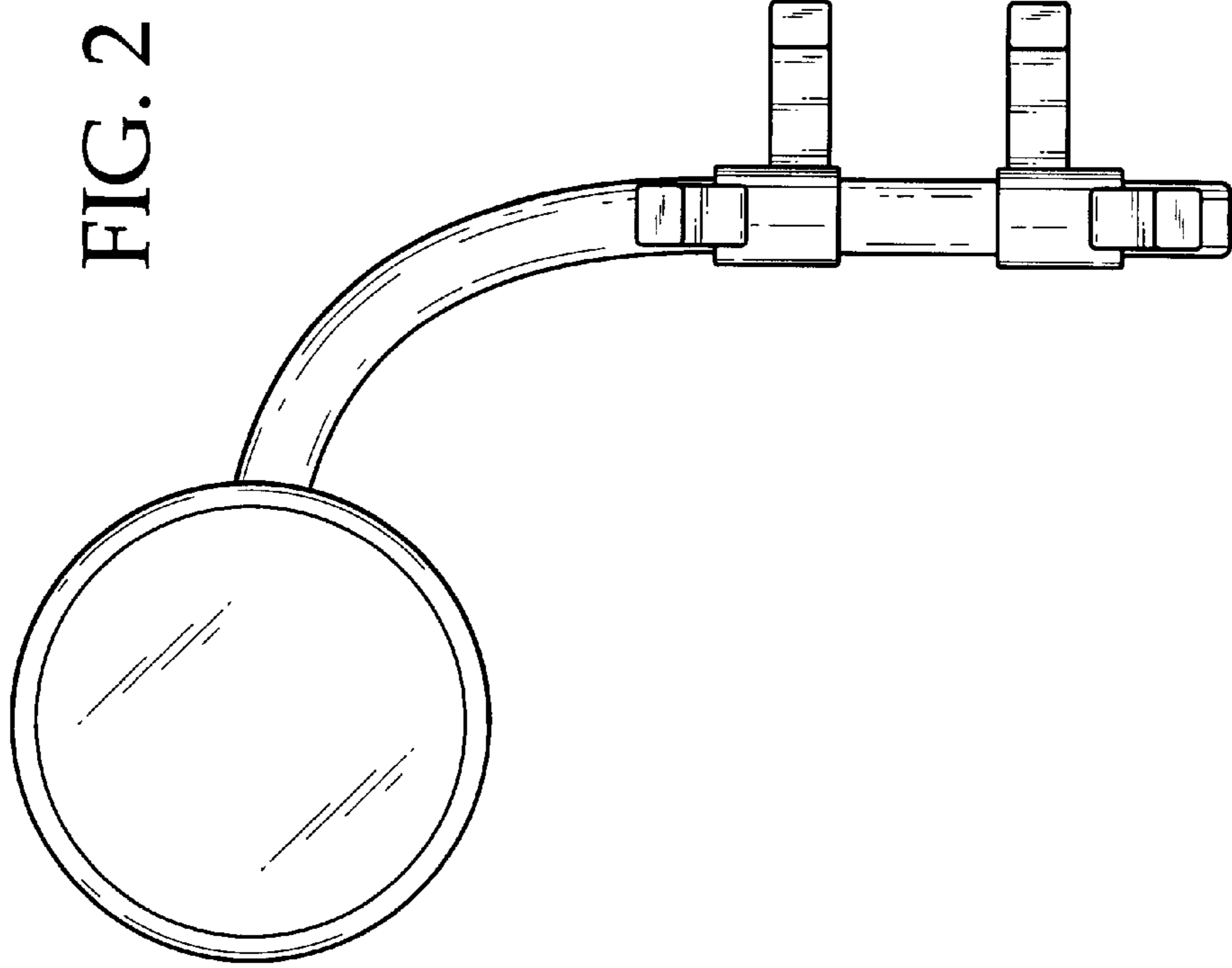
FIG. 5 is a left side elevational view thereof.

FIG. 6 is a top plan view of the auxiliary mirror with attachment bracket; and,

FIG. 7 is a bottom plan view thereof.

**1 Claim, 3 Drawing Sheets**





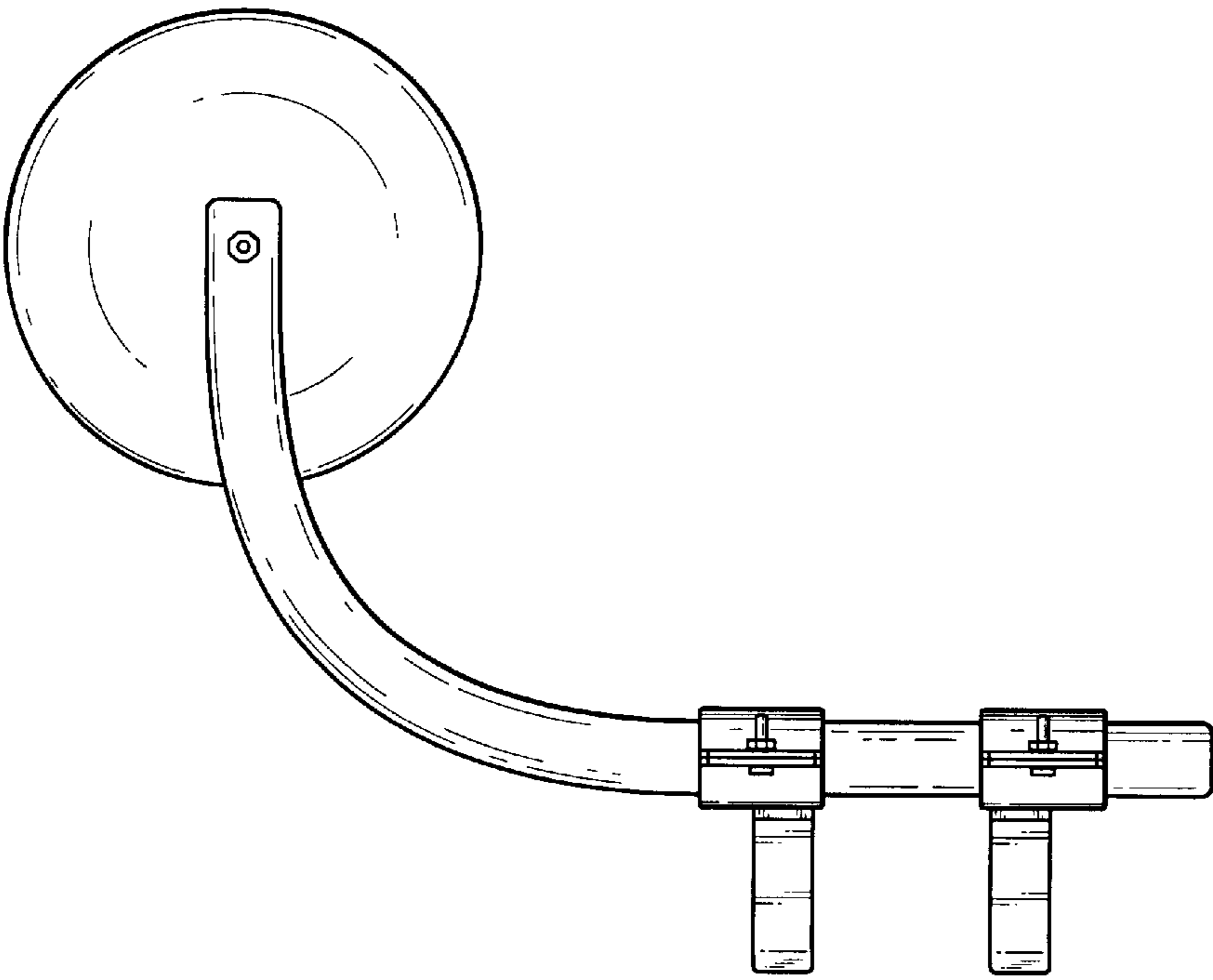


FIG. 3

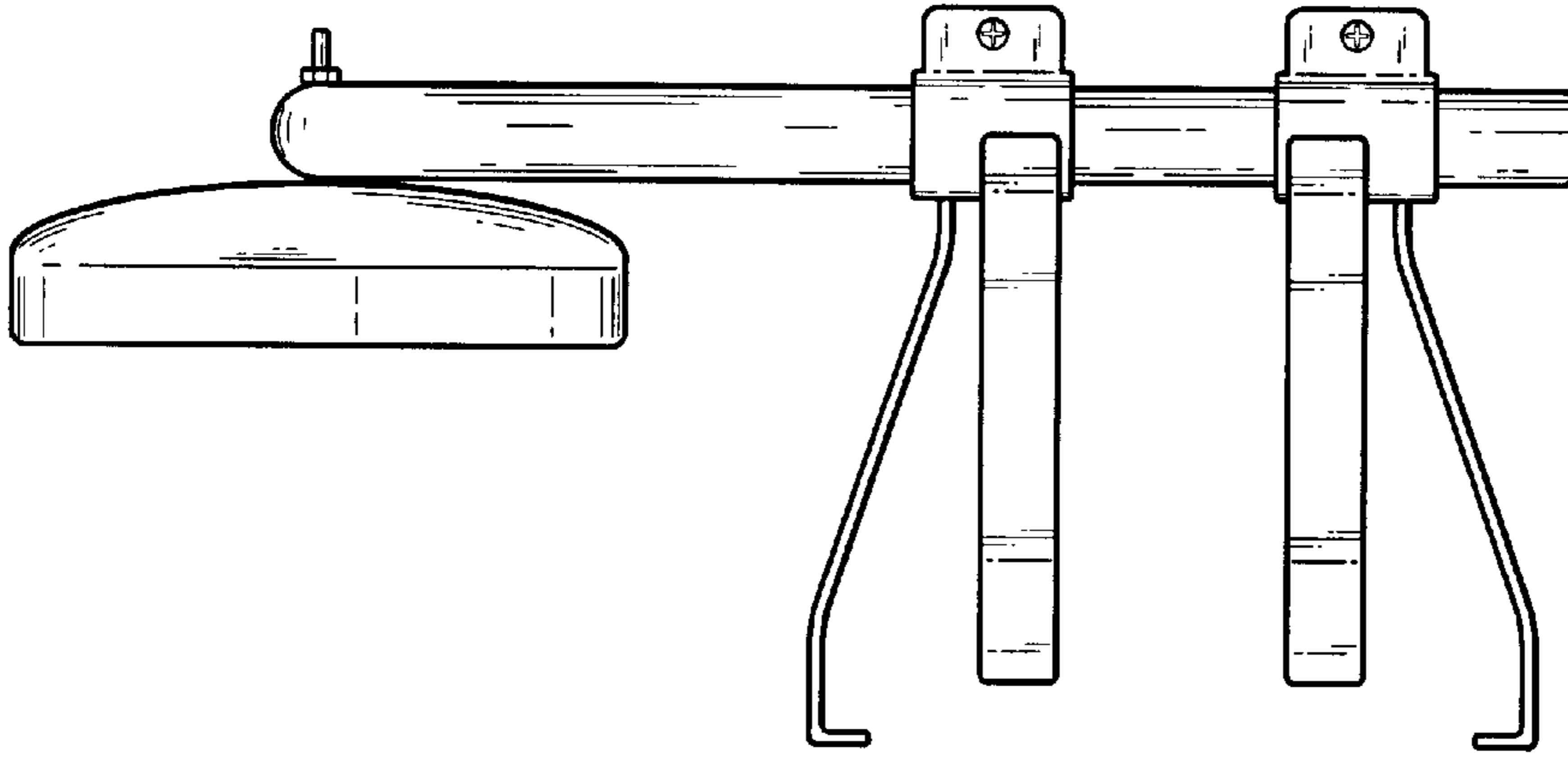


FIG. 4

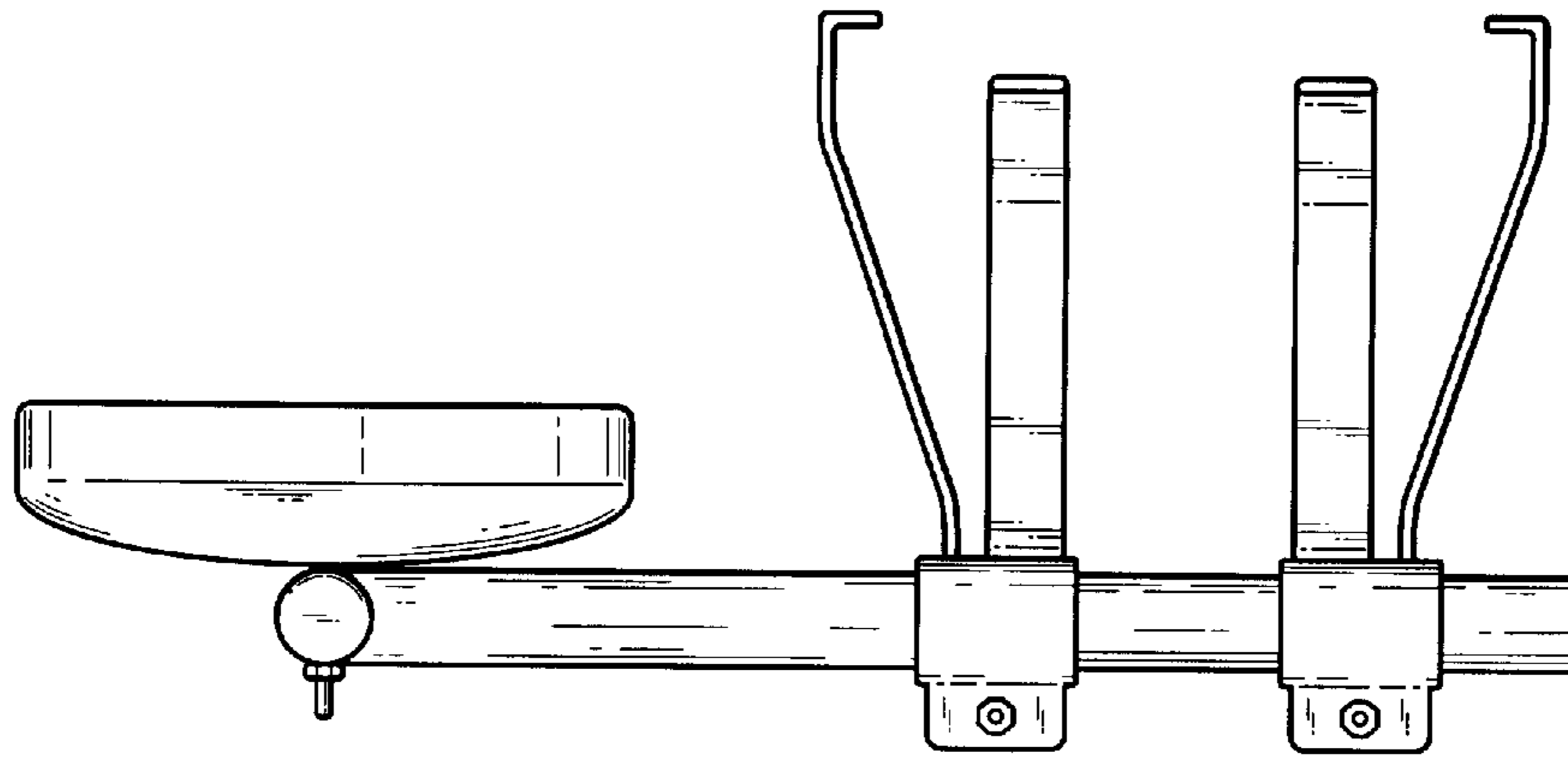


FIG. 5

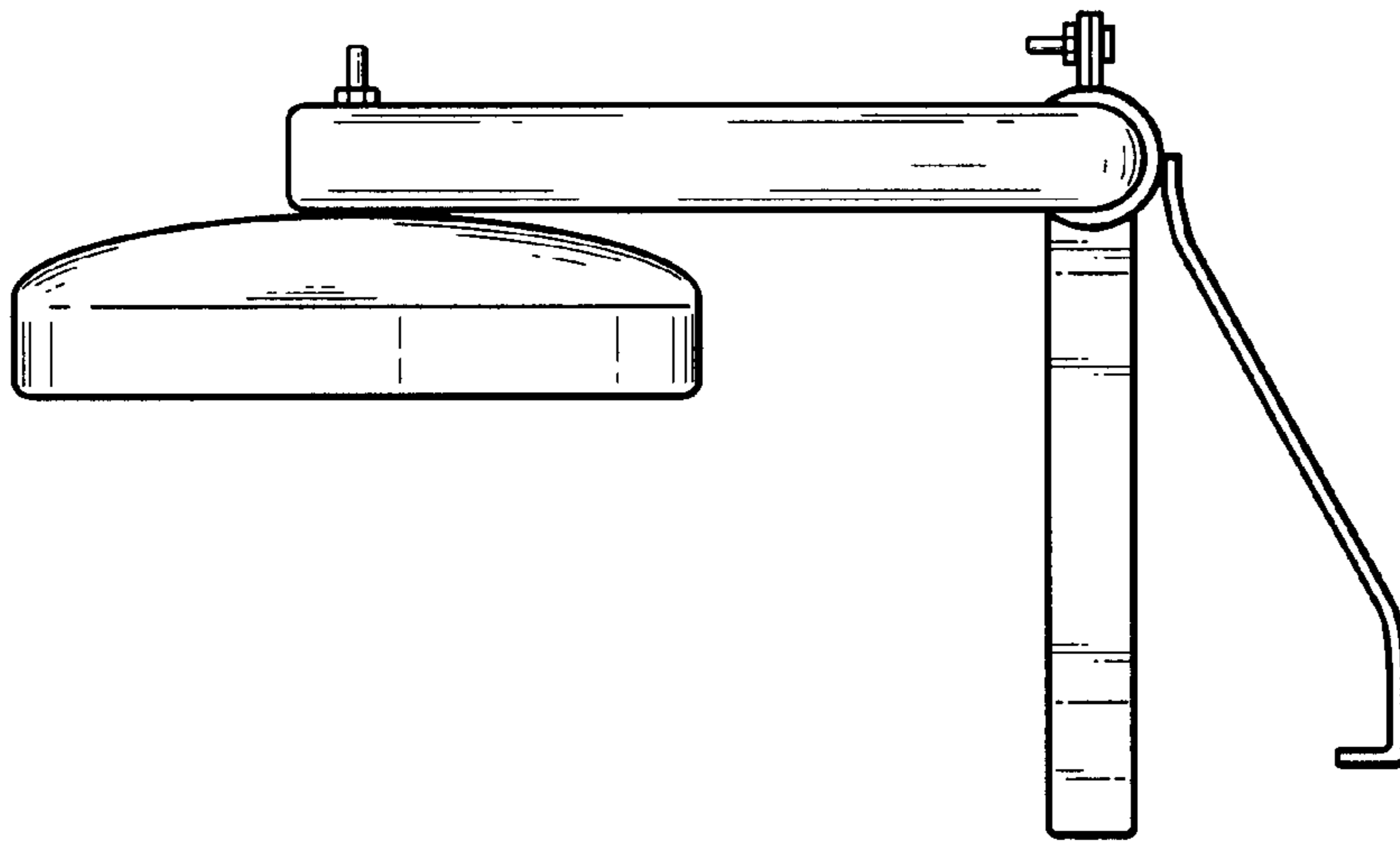


FIG. 6

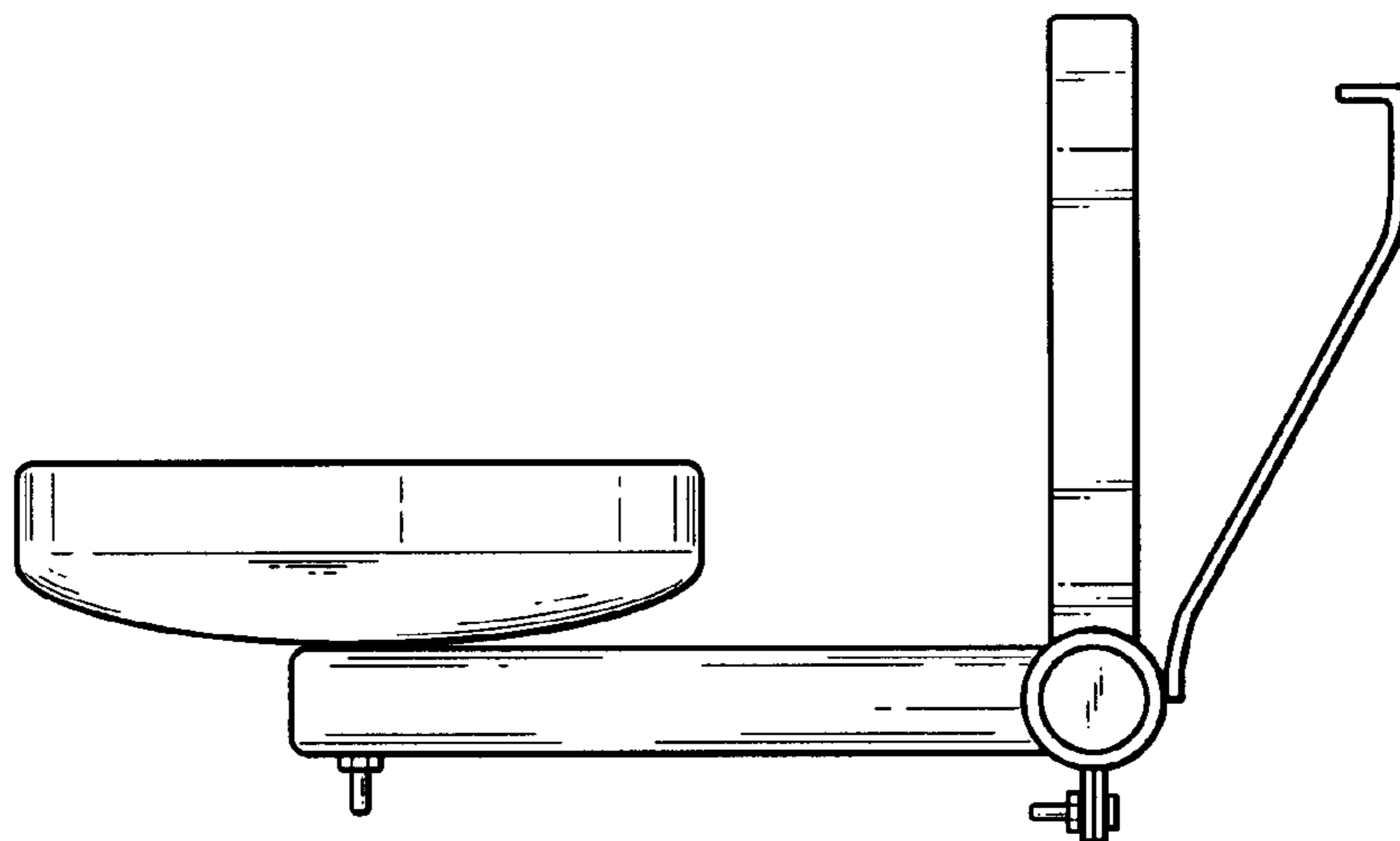


FIG. 7