



US00D426181S

United States Patent [19]
Everett

[11] **Patent Number: Des. 426,181**
[45] **Date of Patent: ** Jun. 6, 2000**

[54] **BRAKE PAD FOR A BICYCLE**
[76] Inventor: **Richard C. Everett**, 225 Sunshine La.,
West Linn, Oreg. 97068
[**] Term: **14 Years**
[21] Appl. No.: **29/112,663**
[22] Filed: **Oct. 7, 1999**
[51] **LOC (7) Cl.** **12-16**
[52] **U.S. Cl.** **D12/180**
[58] **Field of Search** D12/180; 188/24.11-24.14,
188/24.22, 73.1

5,655,629 8/1997 Takizawa et al. 188/24.12

Primary Examiner—Melody N. Brown
Attorney, Agent, or Firm—Edward E. Roberts

[57] **CLAIM**

The ornamental design for a brake pad for a bicycle, as shown.

DESCRIPTION

FIG. 1 is a top view of a brake pad for a bicycle showing my new design;
FIG. 2 is a bottom view of the brake pad as depicted in FIG. 1;
FIG. 3 is a right side view of the brake pad as depicted in FIG. 1 looking into the concave surface of the pad;
FIG. 4 is a left side view of the brake pad as depicted in FIG. 1 looking into the convex surface of the pad;
FIG. 5 is a rear view of the brake pad as depicted in FIG. 1; and,
FIG. 6 is a front view of the brake pad as depicted in FIG. 1.

[56] **References Cited**
U.S. PATENT DOCUMENTS
D. 295,847 5/1988 Everett D12/180
D. 311,895 11/1990 Everett D12/180
D. 397,071 8/1998 House D12/180
5,168,962 12/1992 Yoshigai 188/24.12 X
5,503,253 4/1996 Li 188/24.12
5,555,959 9/1996 Everett 188/73.1
5,653,313 8/1997 Somerfield et al. 188/24.11

1 Claim, 2 Drawing Sheets

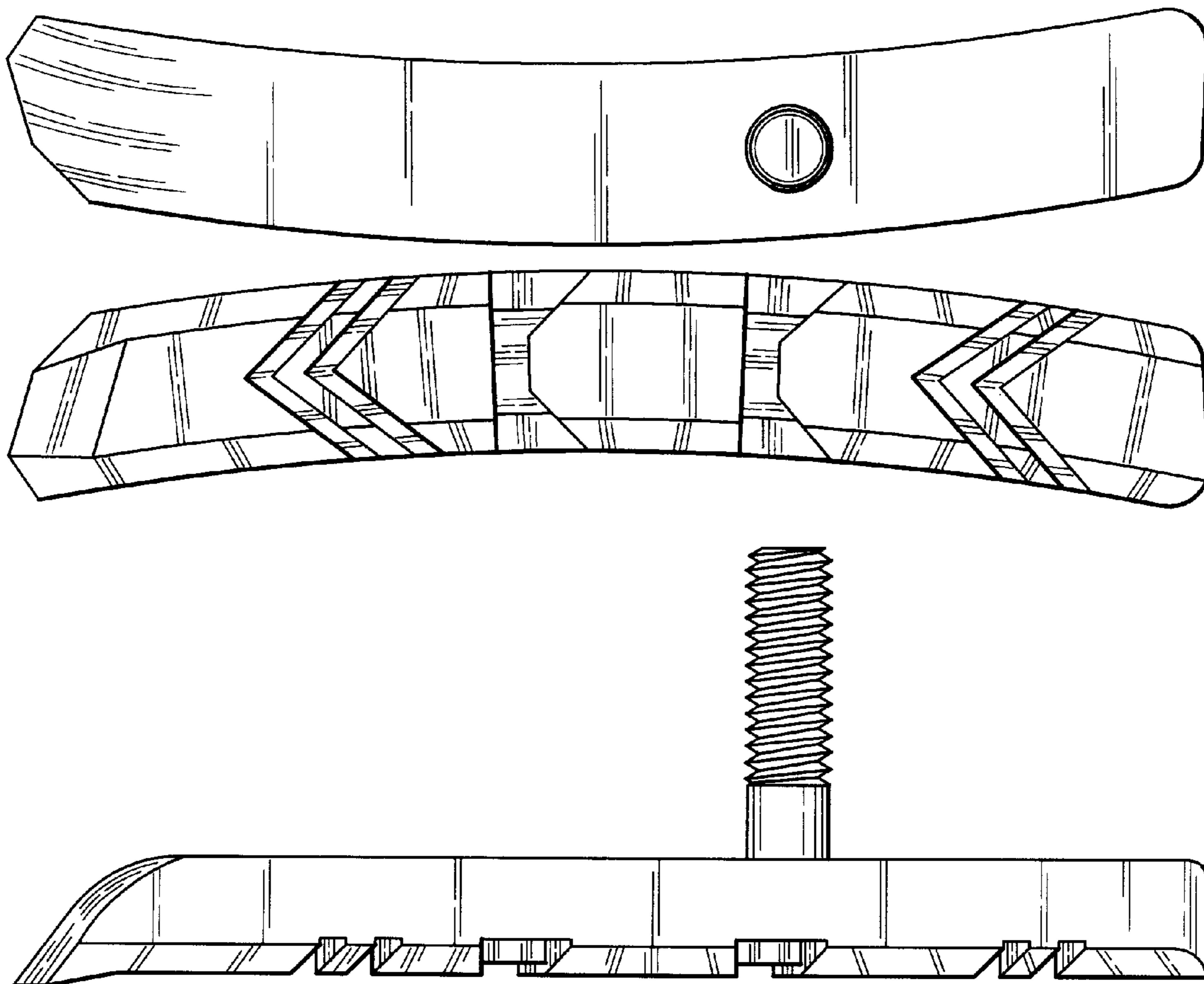


Fig. 1

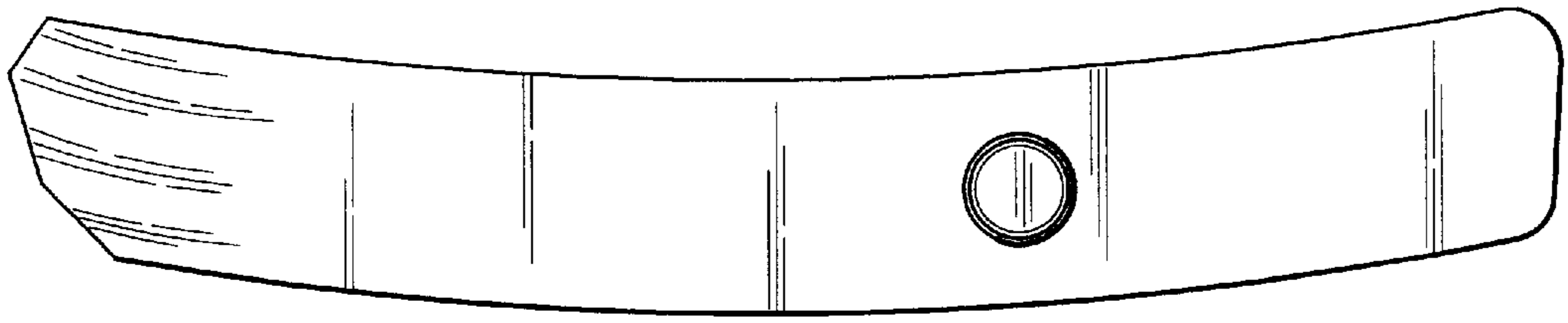


Fig. 2

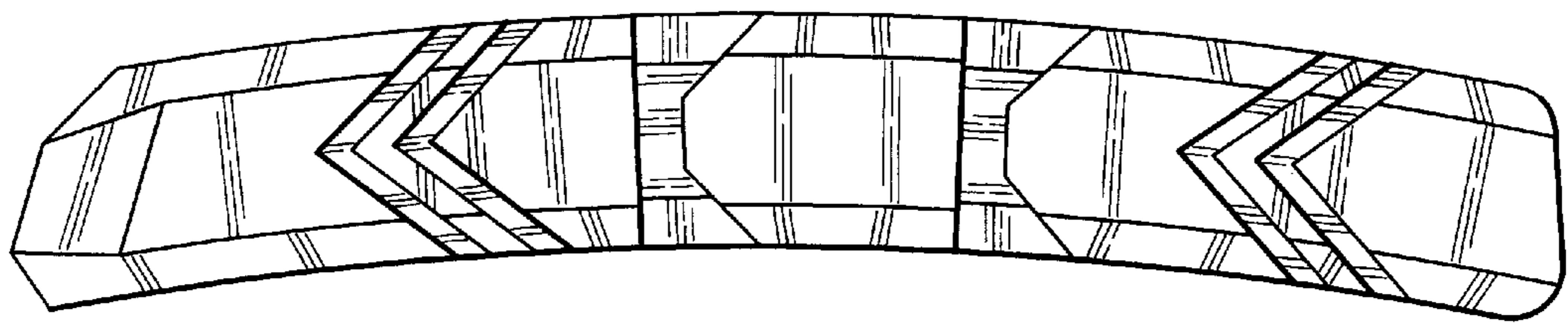


Fig. 3

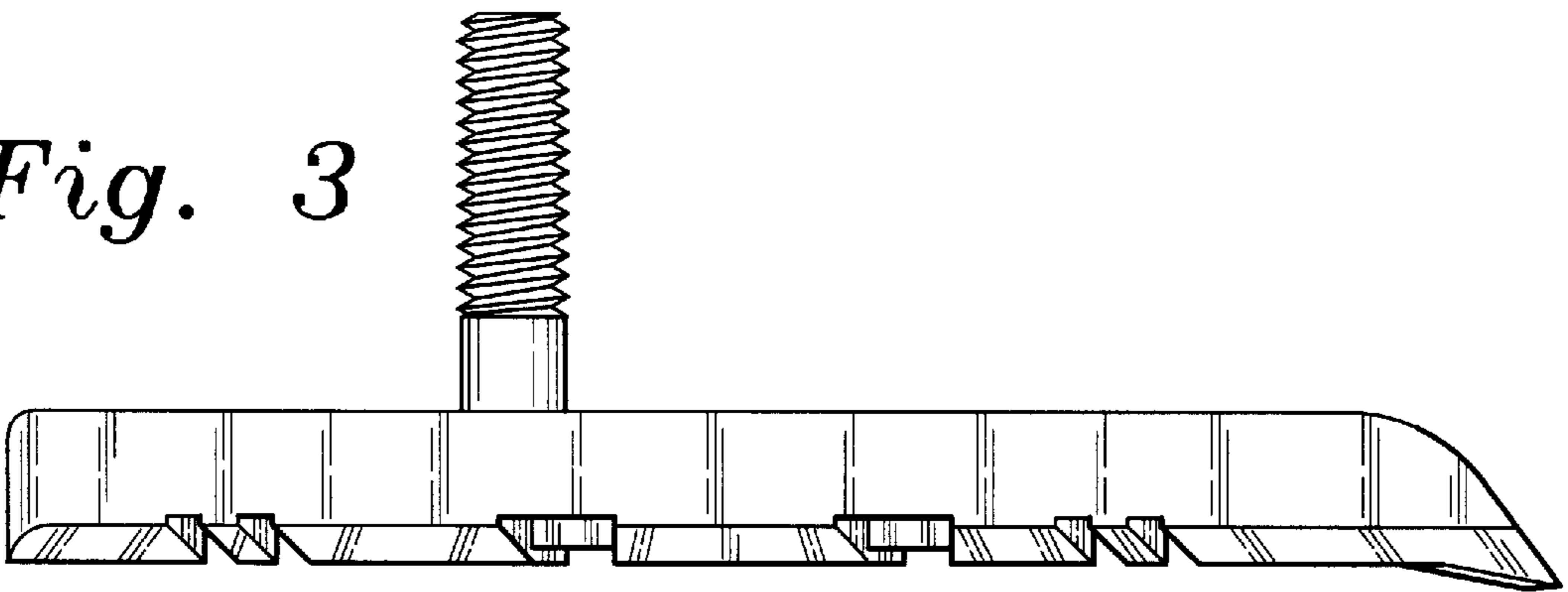


Fig. 4

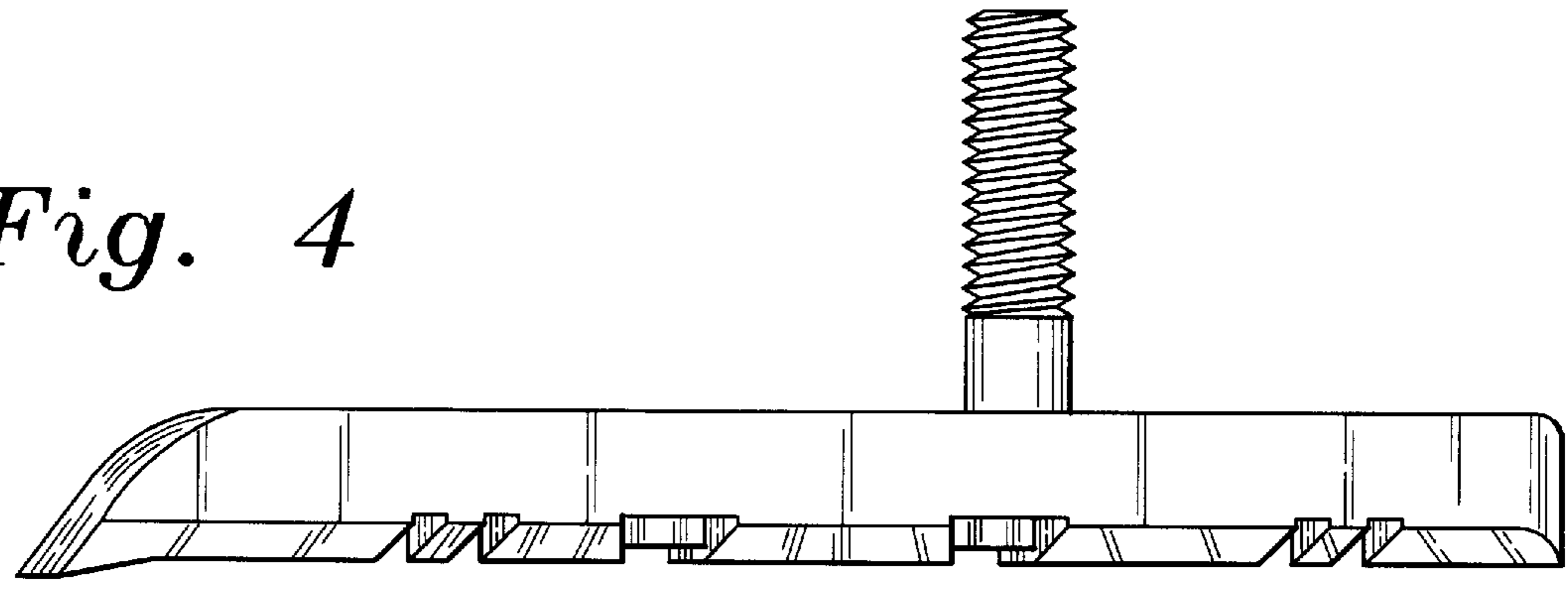


Fig. 5

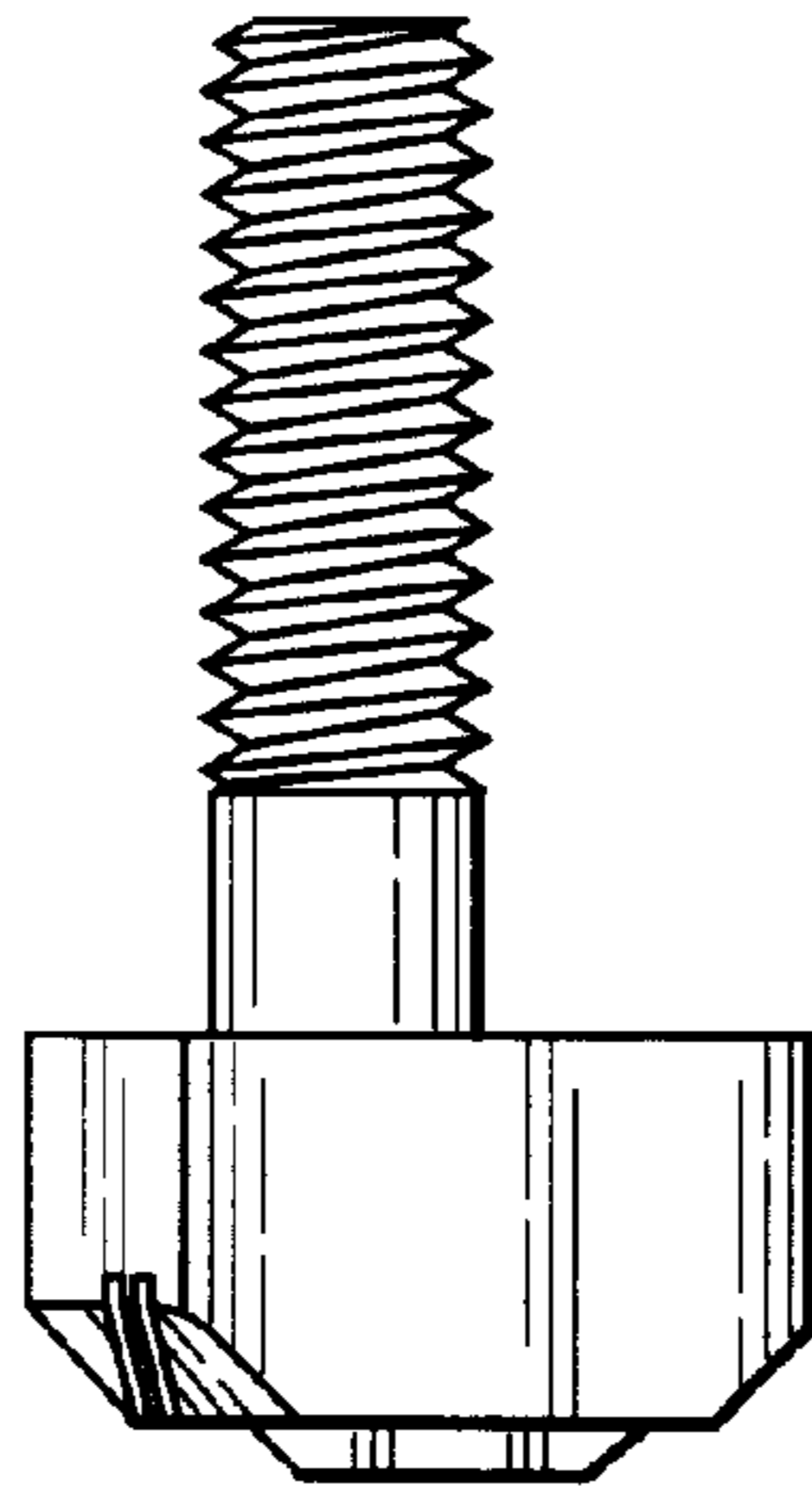


Fig. 6

