



US00D426180S

United States Patent [19]

Pink et al.

[11] Patent Number: **Des. 426,180**

[45] Date of Patent: **** Jun. 6, 2000**

[54] **REAR BRAKE CALIPER**

[75] Inventors: **Anthony N. Pink**, Prior Lake; **James A. J. Holroyd**, Edina, both of Minn.

[73] Assignee: **Excelsior-Henderson Motorcycle Manufacturing Company**, Belle Plaine, Minn.

[**] Term: **14 Years**

[21] Appl. No.: **29/108,217**

[22] Filed: **Jul. 22, 1999**

[51] **LOC (7) Cl.** **12-16**

[52] **U.S. Cl.** **D12/180**

[58] **Field of Search** D12/180; 188/71.1, 188/73.1, 73.45

[56] **References Cited**

U.S. PATENT DOCUMENTS

- D. 351,365 10/1994 Powers D12/180
- D. 354,489 1/1995 Powers D12/180

- D. 373,340 9/1996 Sands D12/180
- D. 378,363 3/1997 Sin D12/180
- D. 413,292 8/1999 Jones D12/180
- 5,181,588 1/1993 Emmons 188/71.1

Primary Examiner—Melody N. Brown
Attorney, Agent, or Firm—Schwegman, Lundberg, Woessner & Kluth, P.A.

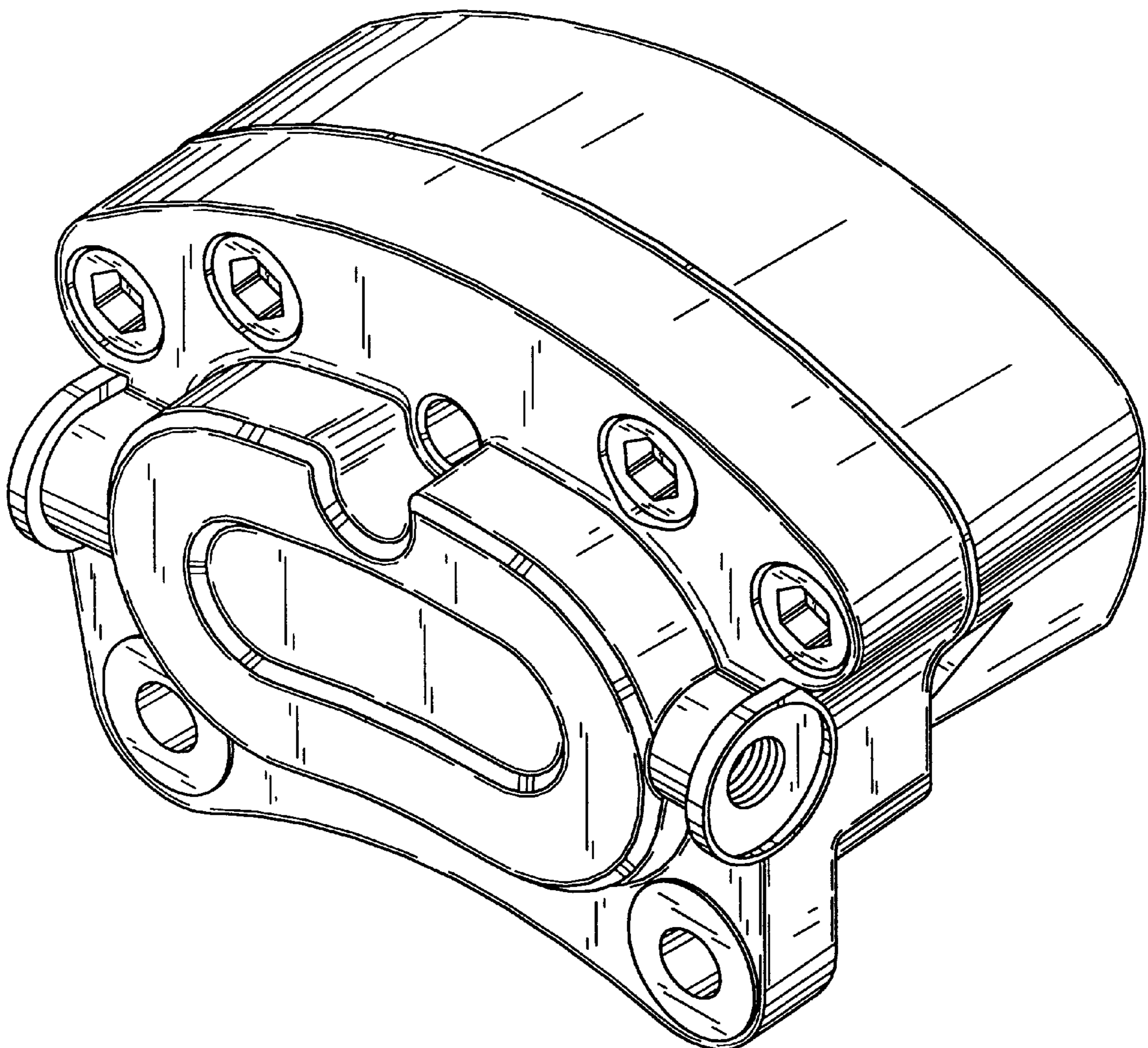
[57] **CLAIM**

The ornamental design for a rear brake caliper, as shown and described.

DESCRIPTION

FIG. 1 a front perspective view of a brake caliper incorporating a design according to the invention.
 FIG. 2 a front view of the brake caliper of FIG. 1.
 FIG. 3 a right side view of the brake caliper of FIG. 1.
 FIG. 4 a back view of the brake caliper of FIG. 1.
 FIG. 5 a left side view of the brake caliper of FIG. 1.
 FIG. 6 a top view of the brake caliper of FIG. 1; and,
 FIG. 7 a bottom view of the brake caliper of FIG. 1.

1 Claim, 6 Drawing Sheets



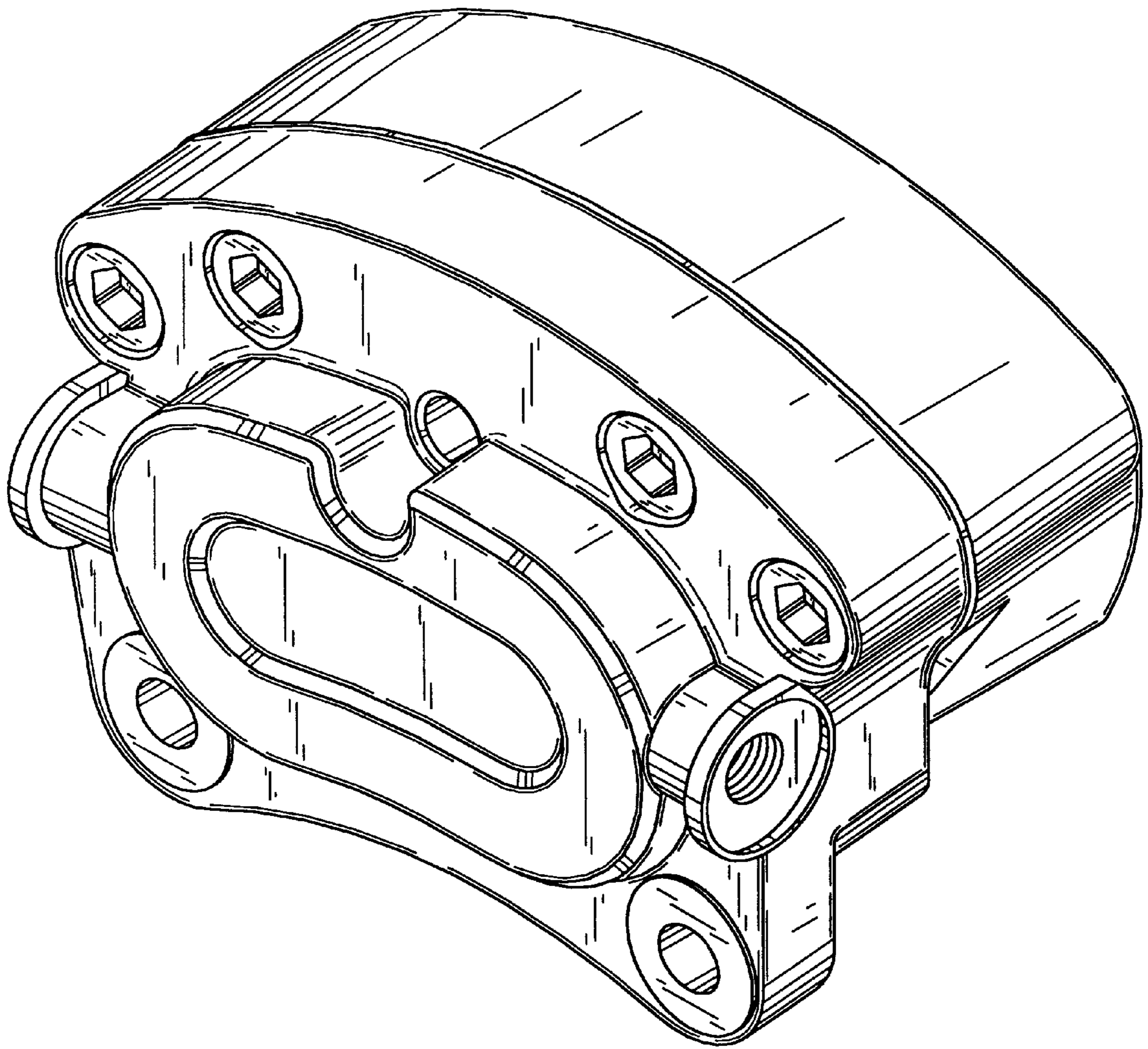


FIG. 1

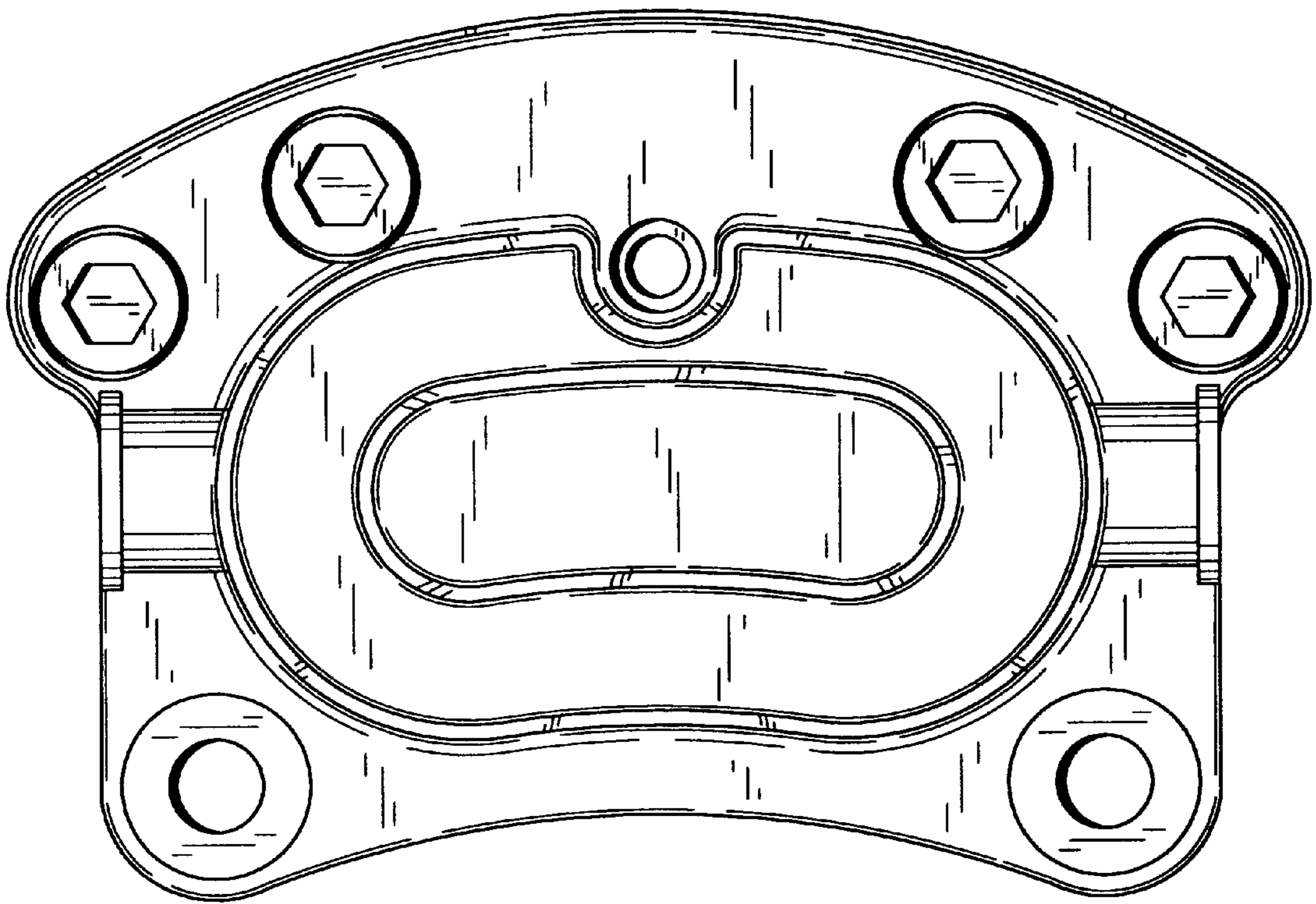


FIG. 2

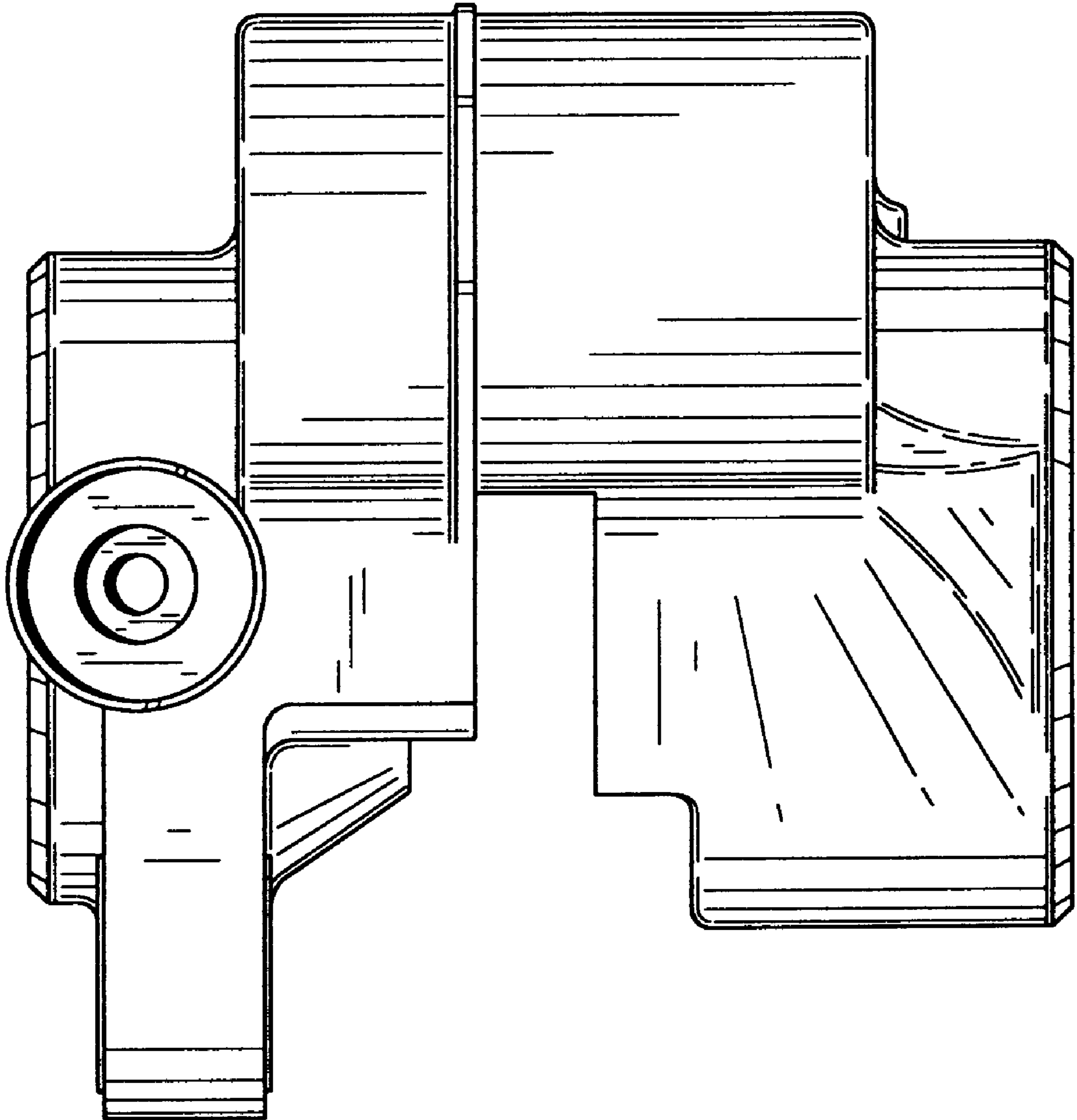


FIG. 3

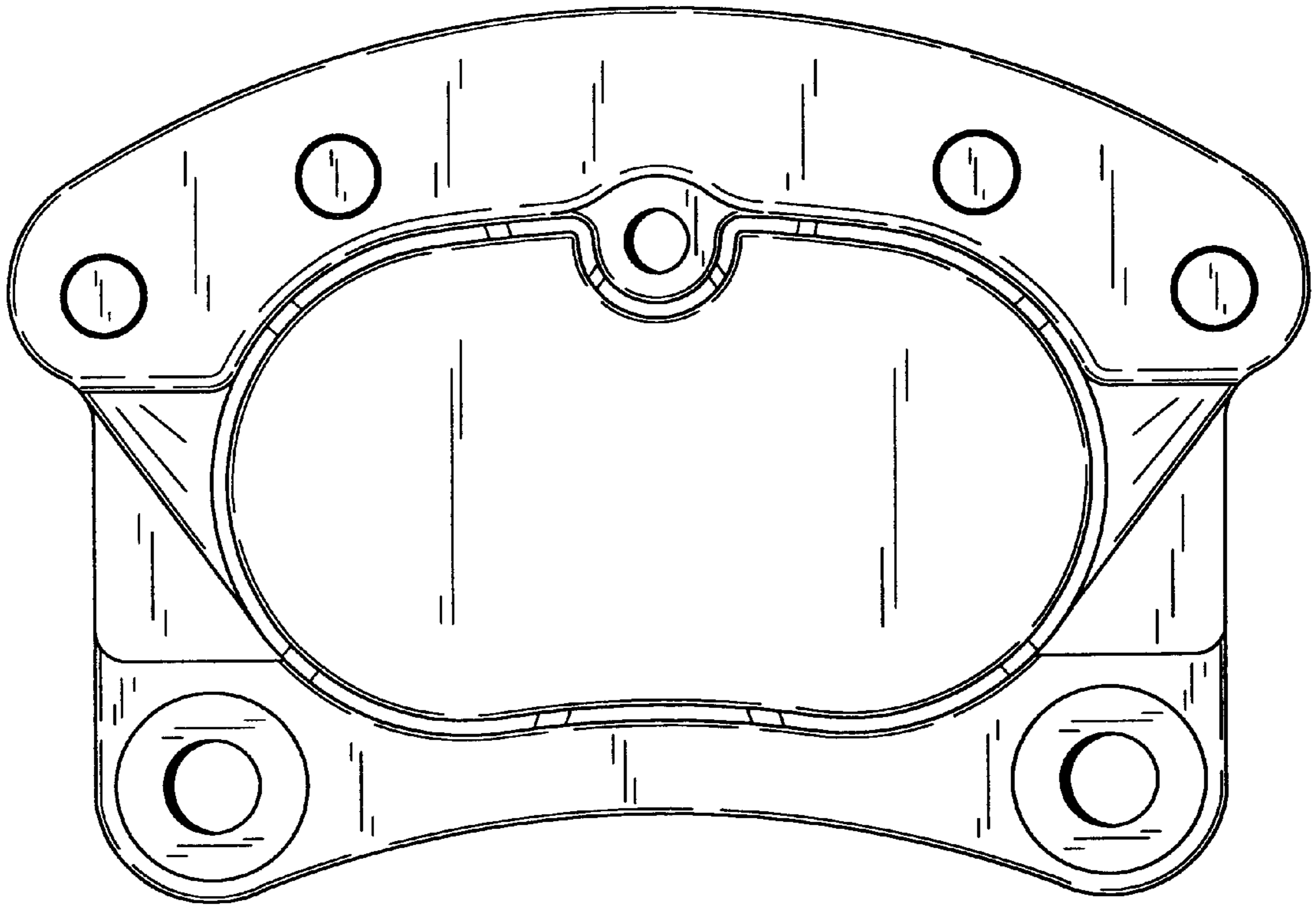


FIG. 4

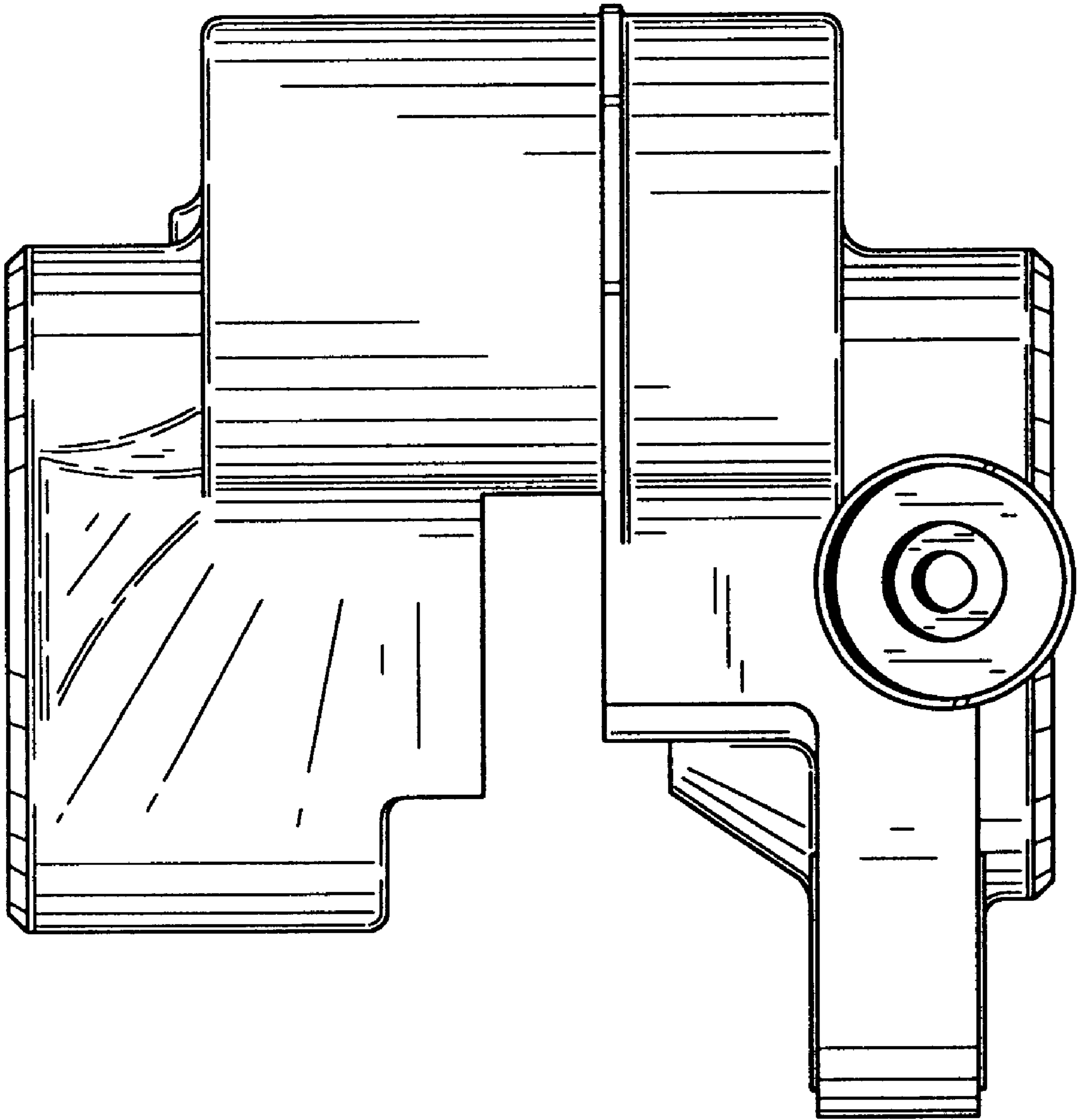


FIG. 5

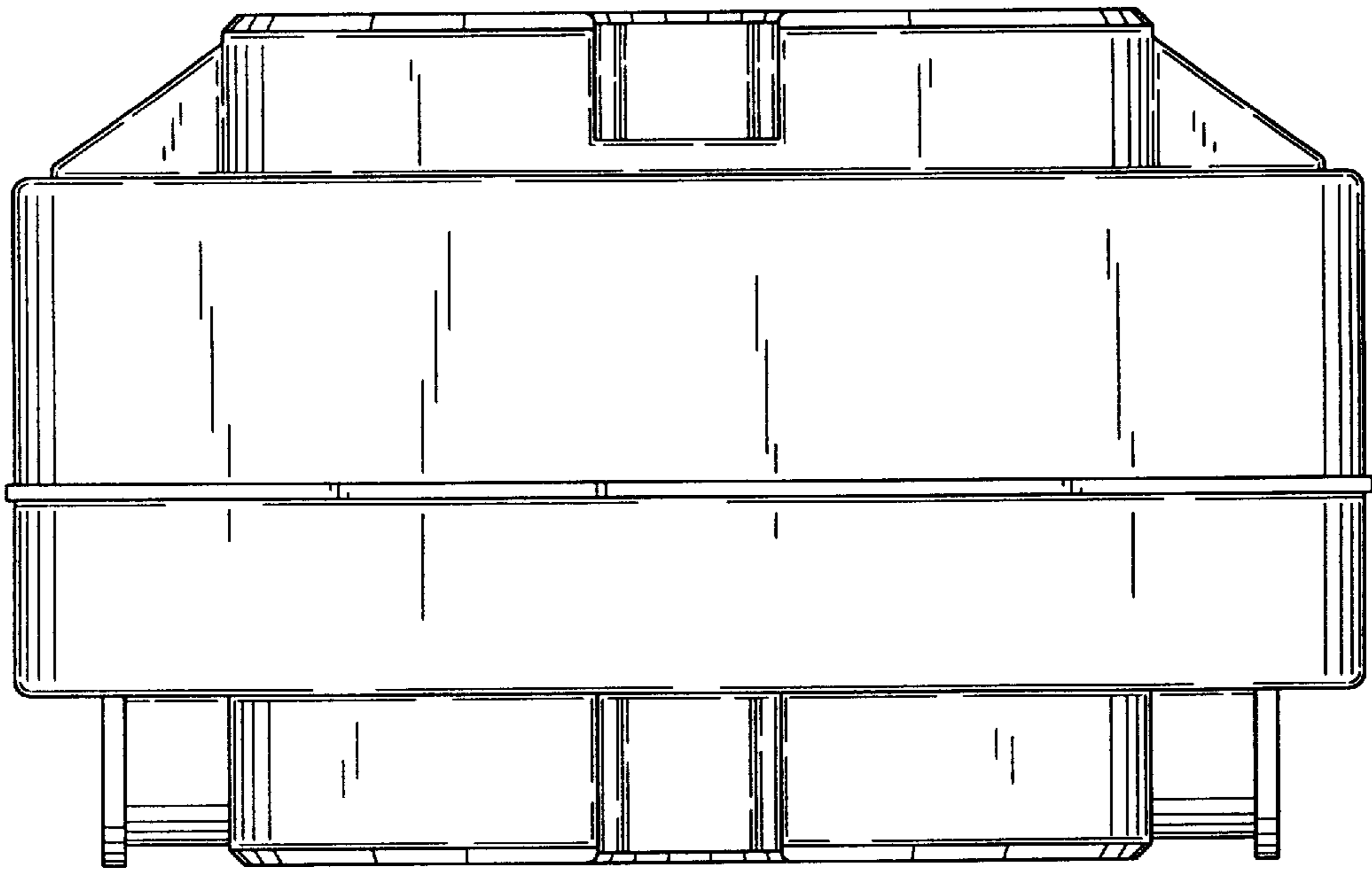


FIG. 6

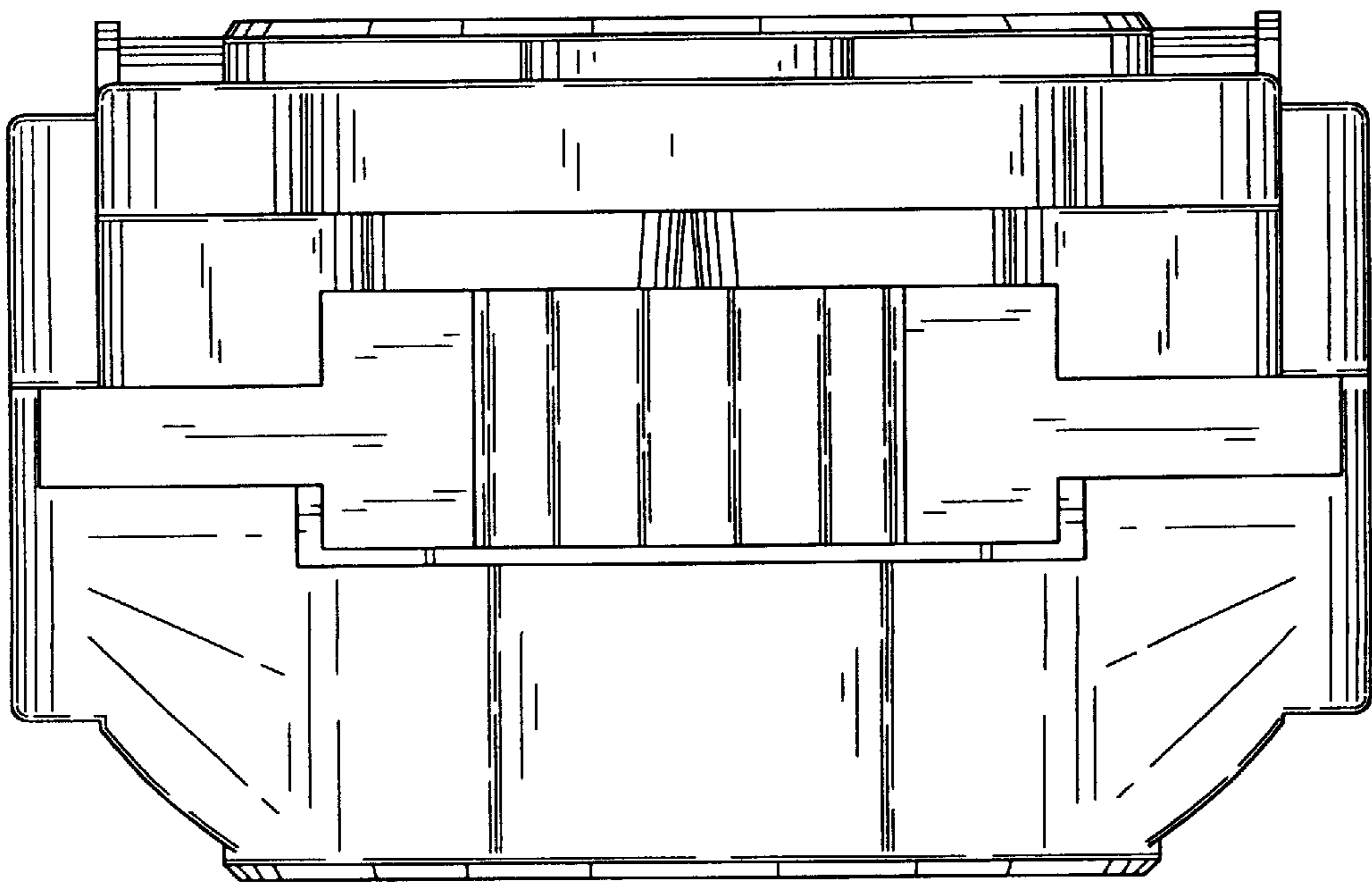


FIG. 7