



US00D426176S

United States Patent [19]

Sutherland et al.

[11] **Patent Number: Des. 426,176**

[45] **Date of Patent: ** Jun. 6, 2000**

[54] **COLLAPSIBLE BABY STROLLER**

[75] Inventors: **Scott A. Sutherland; Andreas H. von Flotow**, both of Hood River, Oreg.

[73] Assignee: **Hood Technology Corporation**, Hood River, Oreg.

[**] Term: **14 Years**

[21] Appl. No.: **29/103,145**

[22] Filed: **Apr. 8, 1999**

[51] **LOC (7) Cl.** **12-12**

[52] **U.S. Cl.** **D12/129**

[58] **Field of Search** D12/128, 129;
D21/533, 534, 535, 536; 280/42, 62, 642,
641, 650, 657, 658, 47.38, 30, 644, 647,
648

[56] **References Cited**

U.S. PATENT DOCUMENTS

- D. 350,923 9/1994 Schmidlin et al. D12/129
- D. 362,419 9/1995 Chih D12/129
- D. 363,903 11/1995 Chiu D12/129

D. 409,530 5/1999 Chen et al. D12/129

Primary Examiner—Kay H. Chin
Attorney, Agent, or Firm—Bell, Boyd & Lloyd LLC

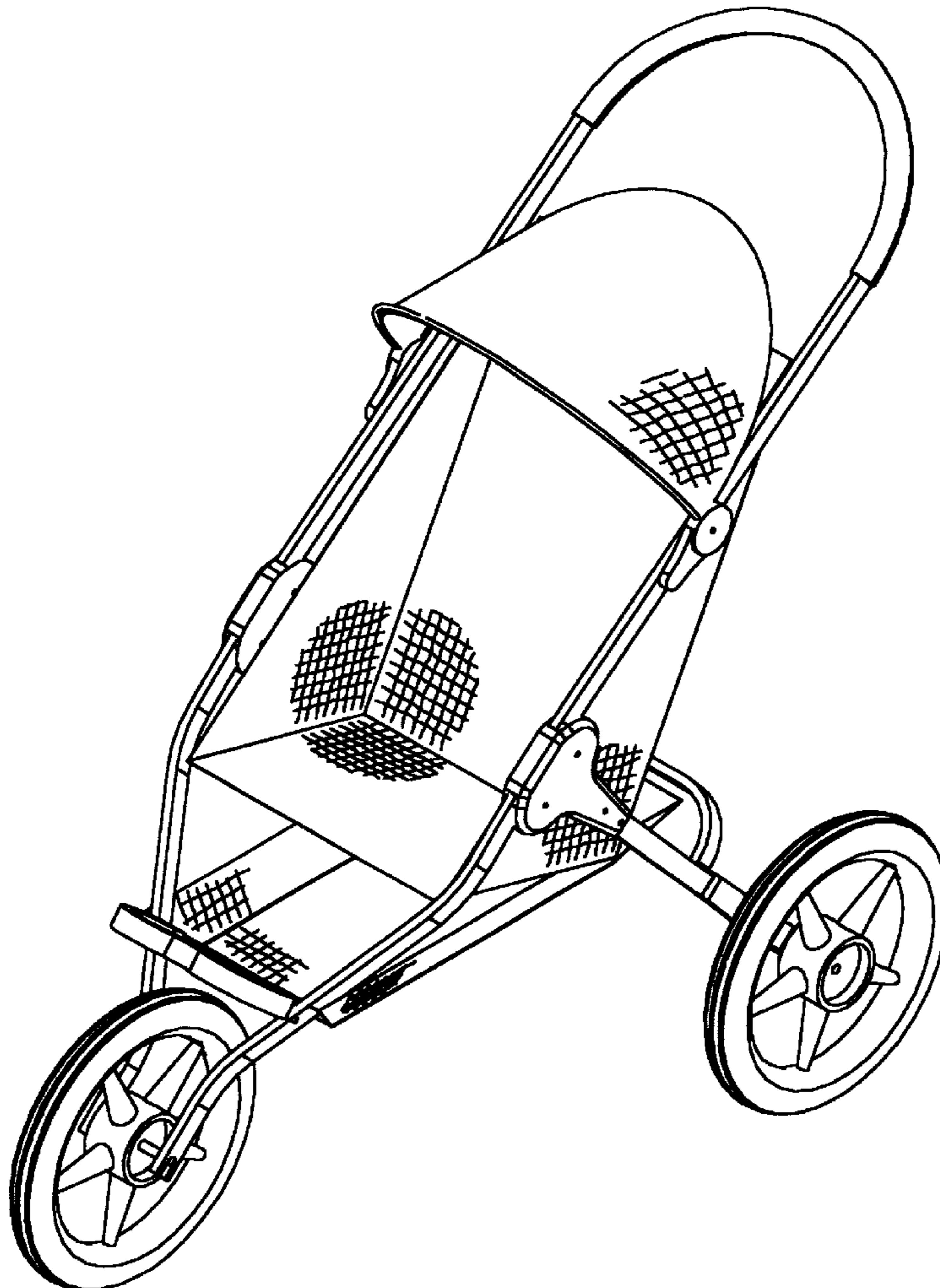
[57] **CLAIM**

The ornamental design of a collapsible baby stroller, as shown and described.

DESCRIPTION

FIG. 1 is a frontal view of the collapsible baby stroller in a fully open state.
 FIG. 2 is a bottom view of the collapsible baby stroller in a fully open state.
 FIG. 3 is a top view of the collapsible baby stroller in a fully open state.
 FIG. 4 is a front view of the collapsible baby stroller in a fully open state.
 FIG. 5 is a rear view of the collapsible baby stroller in a fully open state; and,
 FIG. 6 is a side view of the collapsible baby stroller in a fully open state; and,
 FIG. 7 is a side view, opposite the side view of FIG. 6, of the collapsible baby stroller in a fully open state.

1 Claim, 7 Drawing Sheets



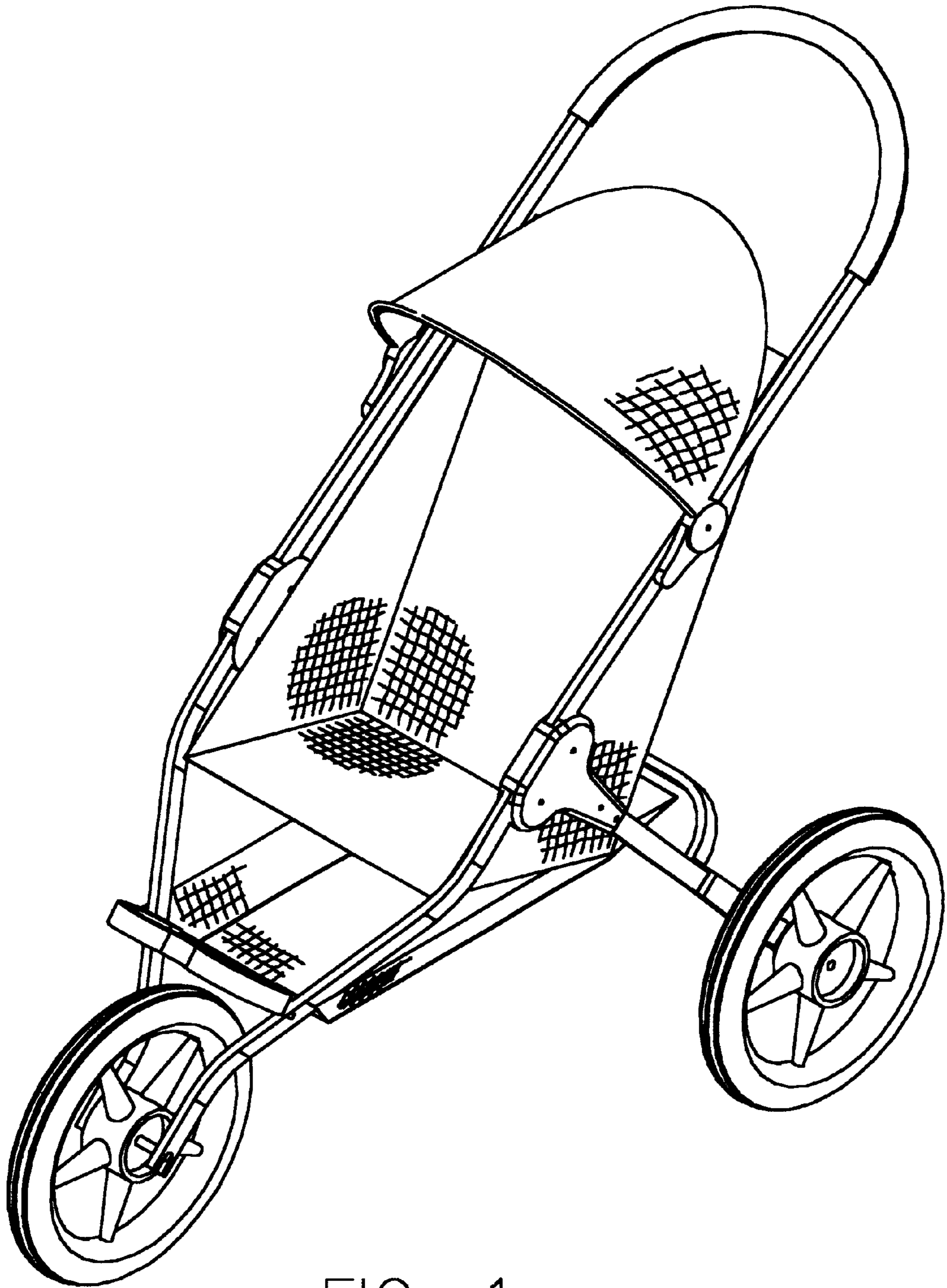


FIG. 1

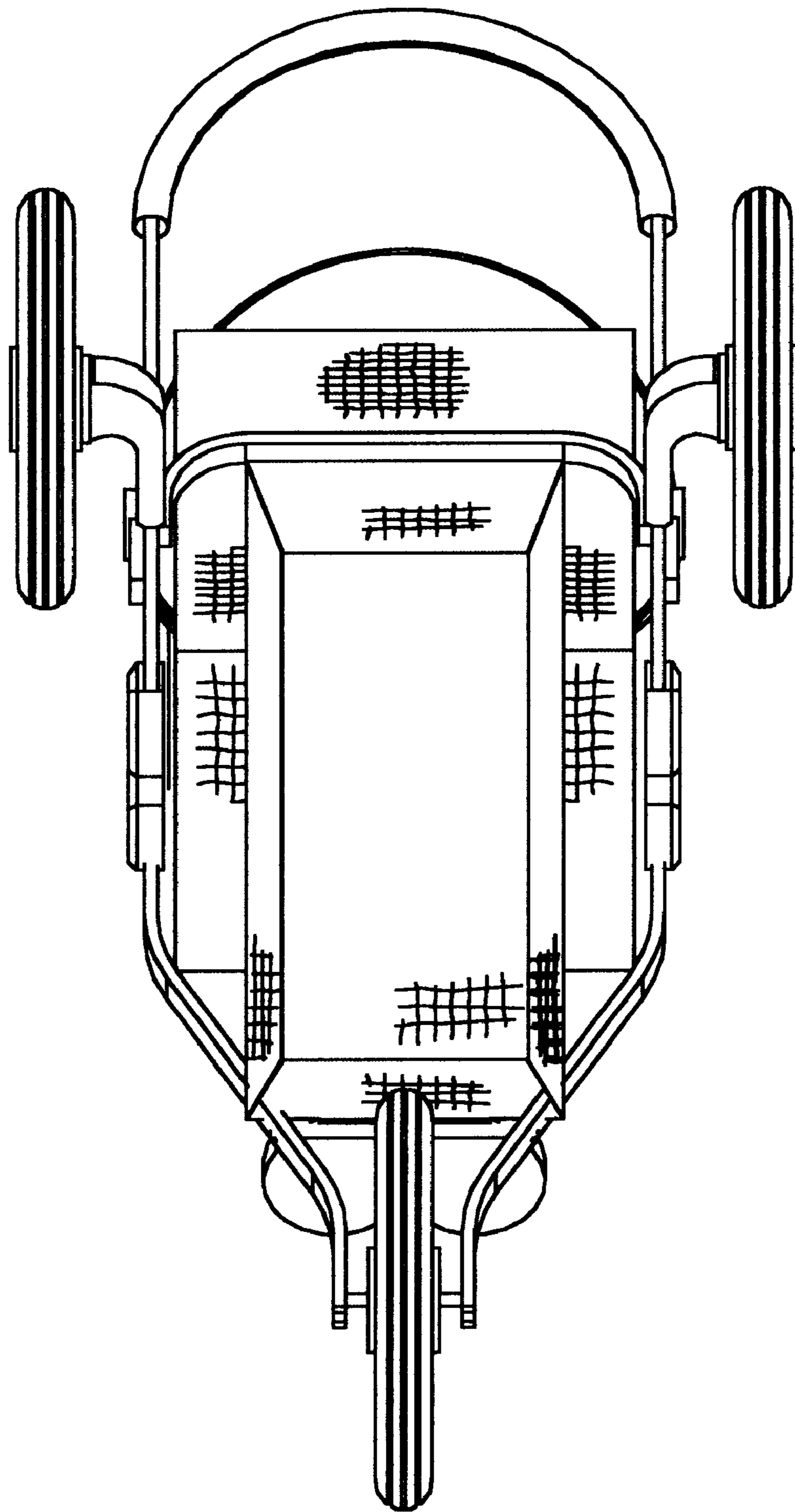


FIG. 2

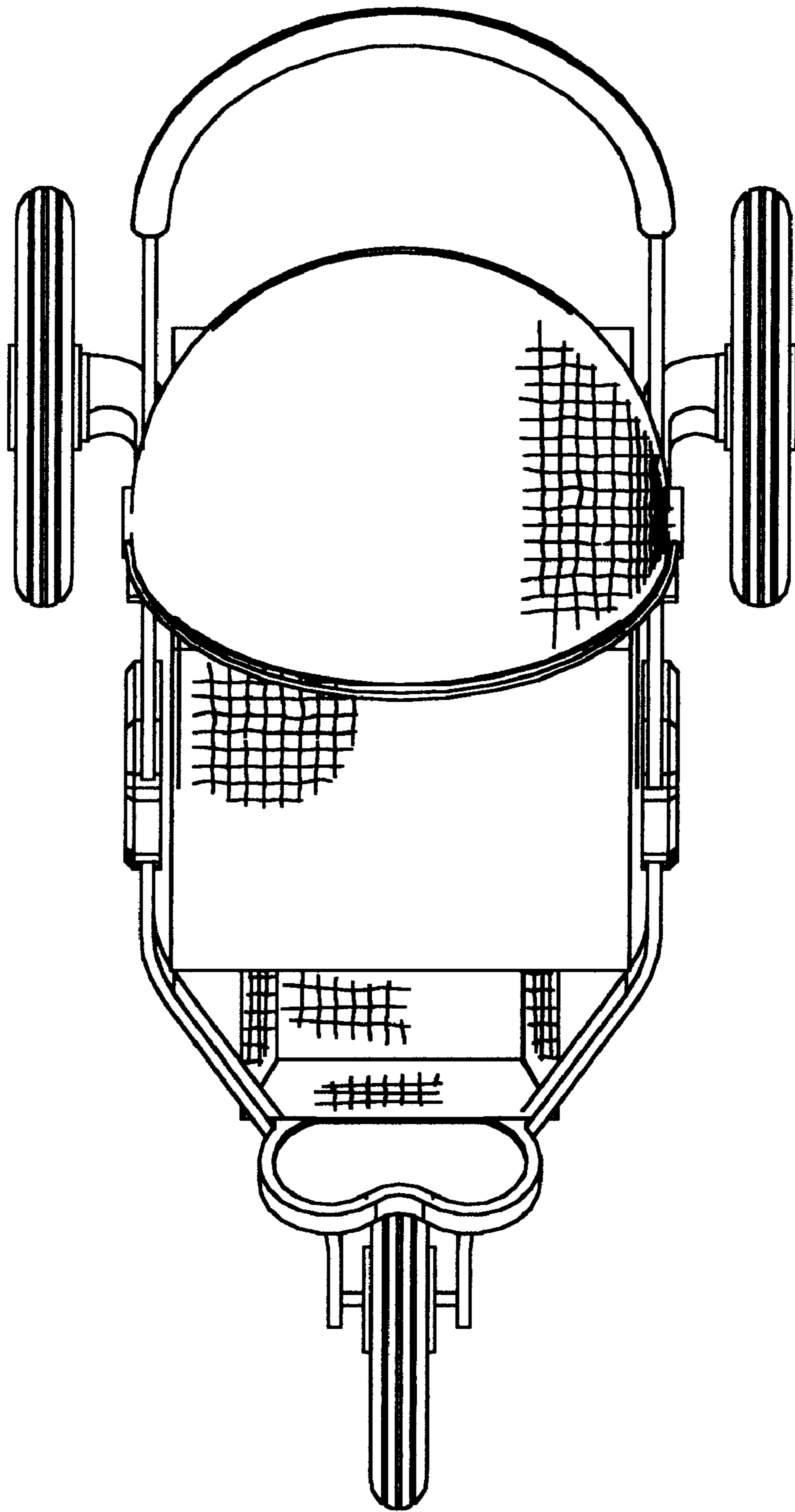


FIG. 3

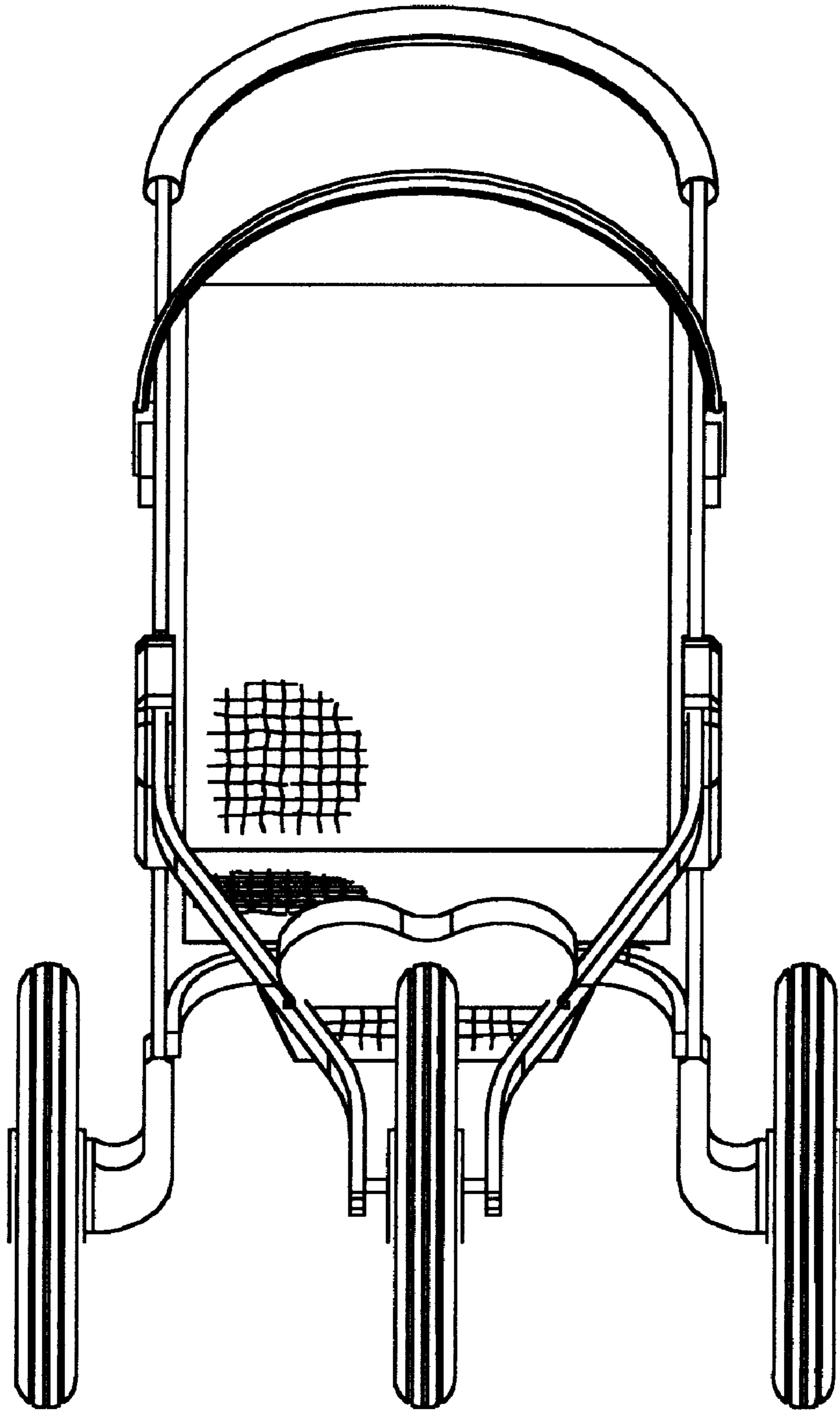


FIG. 4

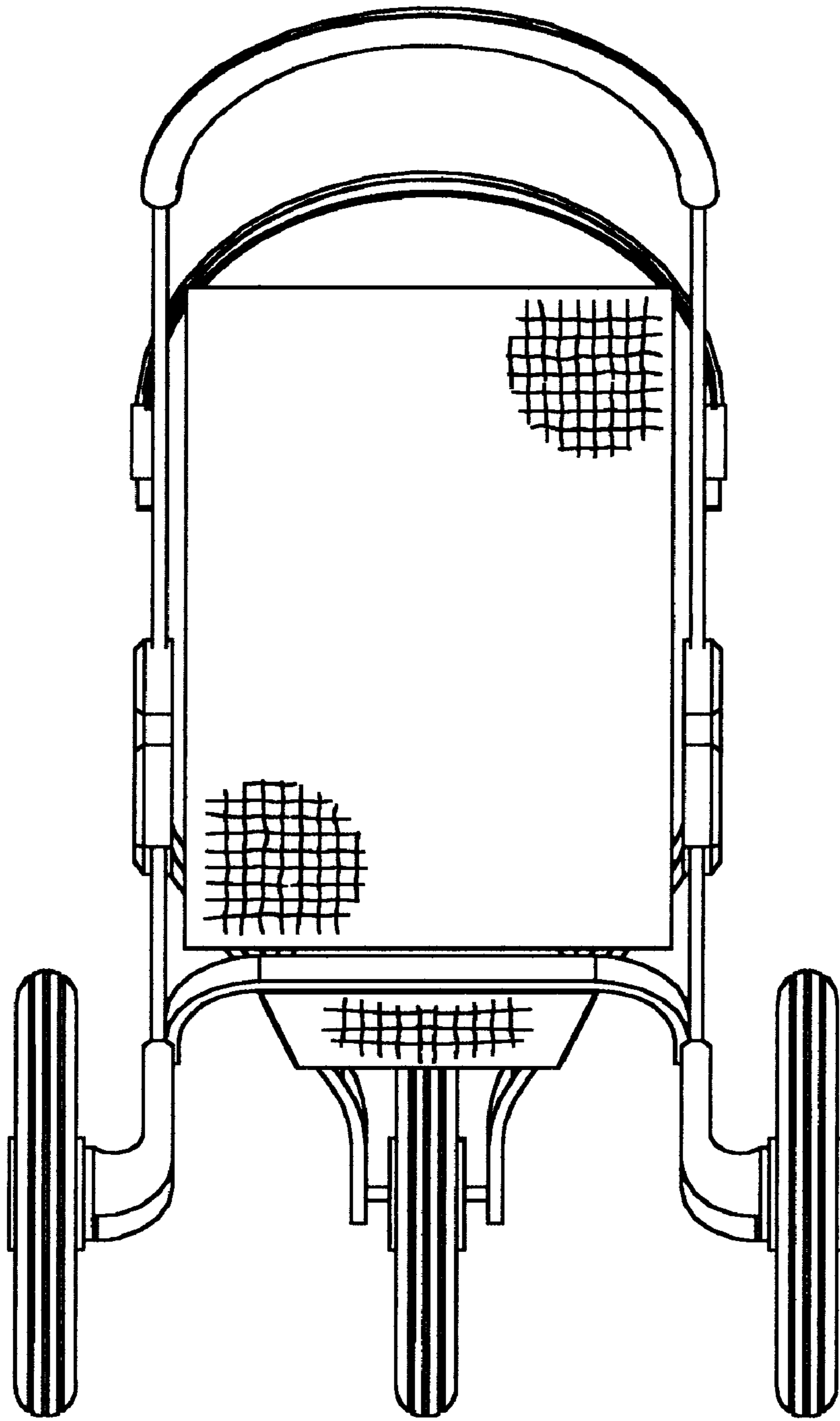


FIG. 5

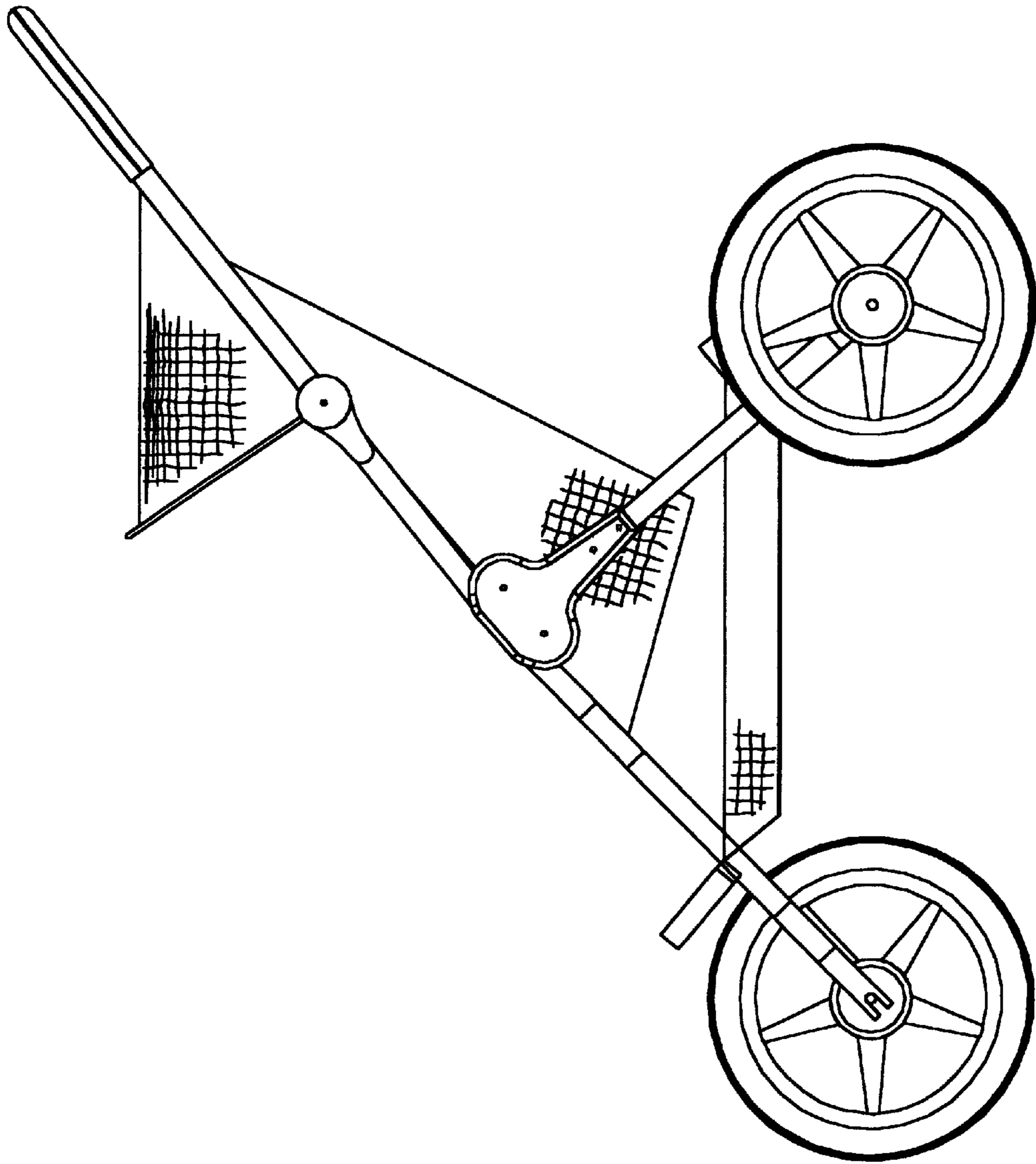


FIG. 6

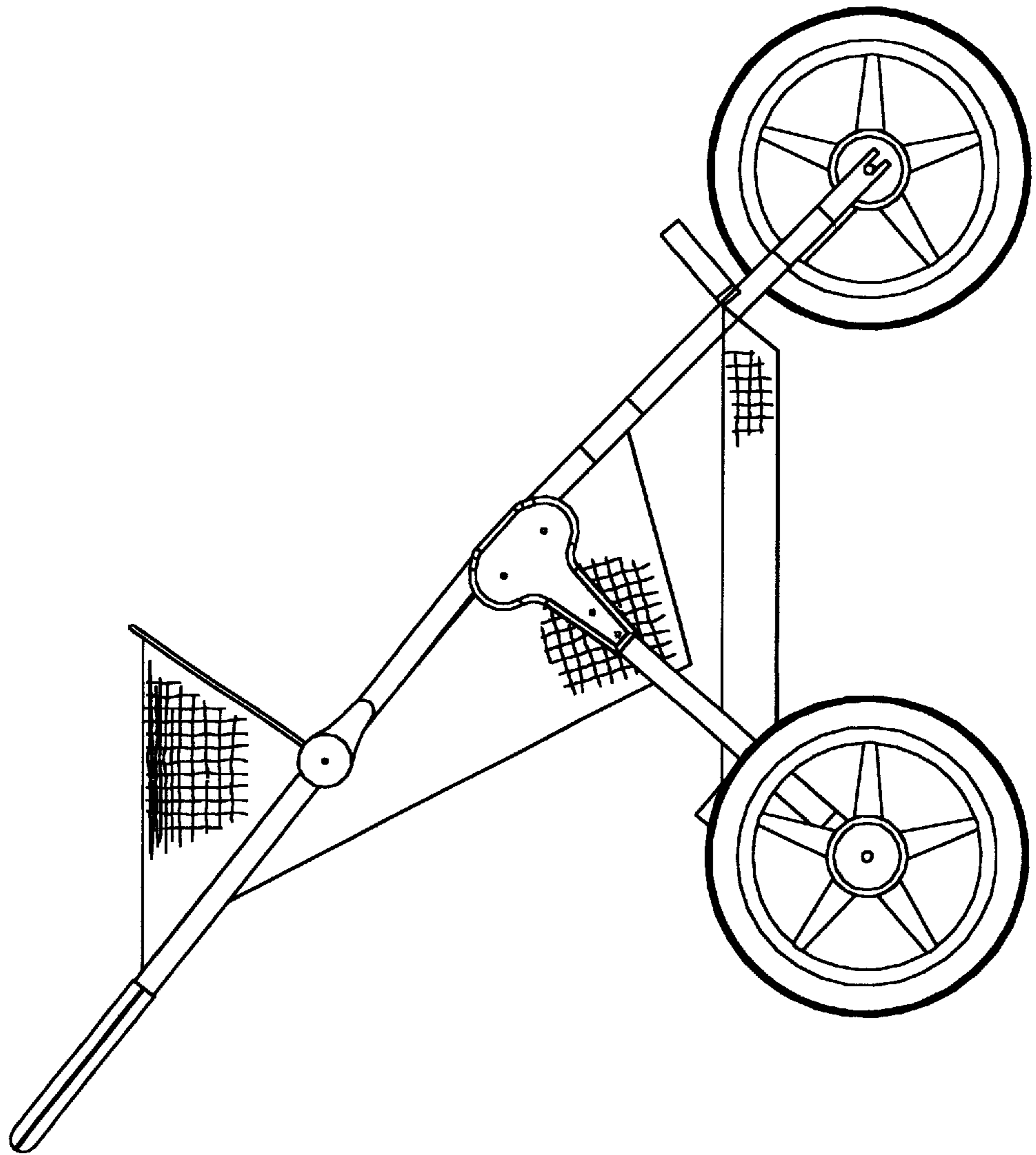


FIG. 7