



US00D426175S

**United States Patent** [19]  
**Chin-Fong**

[11] **Patent Number: Des. 426,175**  
[45] **Date of Patent: \*\* Jun. 6, 2000**

[54] **BICYCLE PEDAL ROD**

[76] Inventor: **Lin Chin-Fong**, No.88, Chang An Lane, Hsiu Shui Hsiang, Chang Hua Hsien, Taiwan

[\*\*] Term: **14 Years**

[21] Appl. No.: **29/112,756**

[22] Filed: **Oct. 22, 1999**

[51] **LOC (7) Cl.** ..... **12-11**

[52] **U.S. Cl.** ..... **D12/114**

[58] **Field of Search** ..... D12/114, 120;  
D8/303; 280/288.4, 291, 293; 74/564, 594.4,  
594.6

[56] **References Cited**

**U.S. PATENT DOCUMENTS**

- D. 319,037 8/1991 Hoeptner, III ..... D12/114
- D. 322,022 12/1991 Cunningham et al. .... D8/303
- D. 352,442 11/1994 Lee-Chang ..... D8/303

- D. 378,667 4/1997 Ortega ..... D12/114
- D. 399,793 10/1998 Lee ..... D12/114
- D. 405,393 2/1999 Stahel ..... D12/114

*Primary Examiner*—Melody N. Brown  
*Attorney, Agent, or Firm*—Harrison & Egbert

[57] **CLAIM**

I claim the ornamental design for a bicycle pedal rod, as shown and described.

**DESCRIPTION**

FIG. 1 is an upper perspective view of a bicycle pedal rod showing my design.

FIG. 2 is a top view thereof;

FIG. 3 is a bottom view thereof;

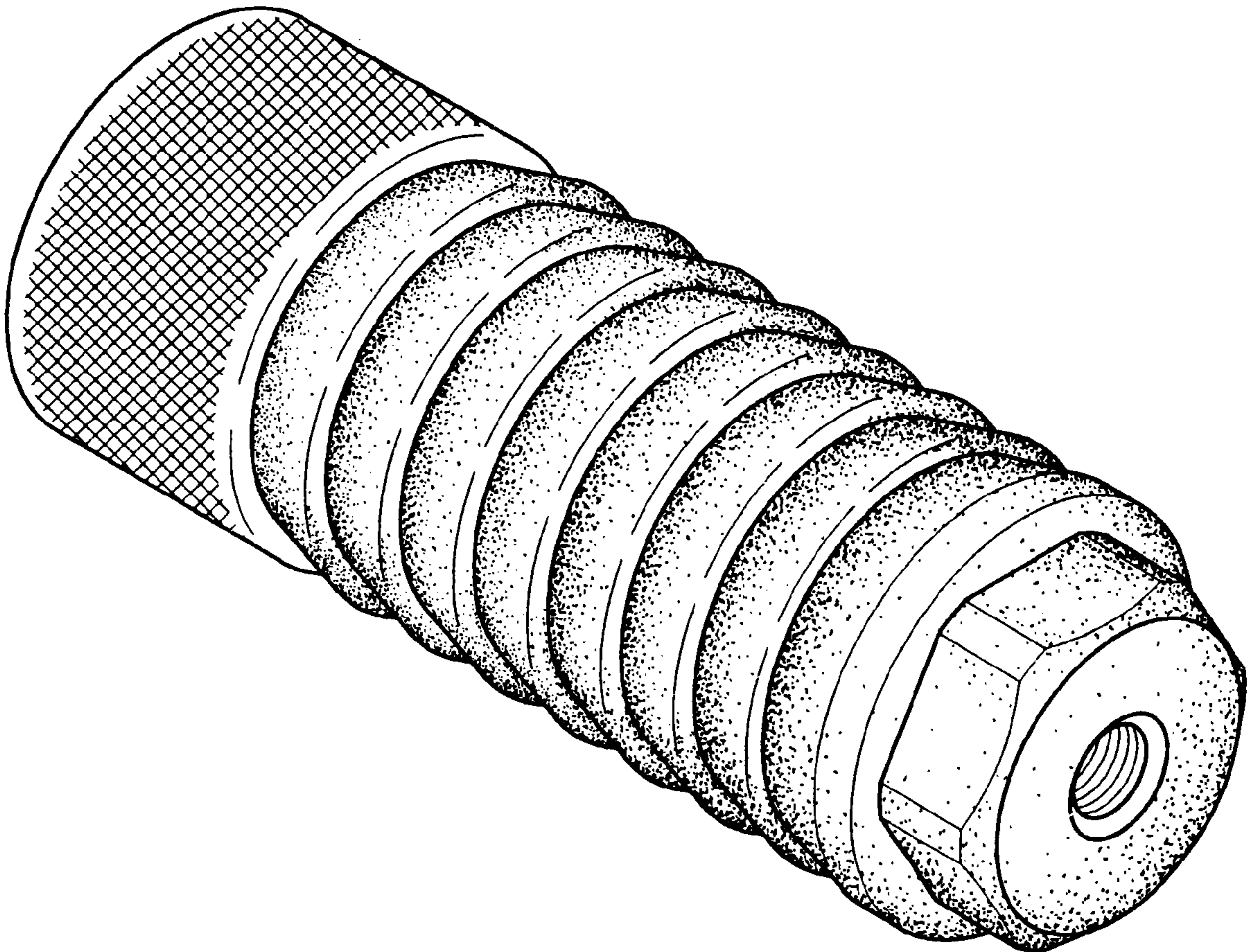
FIG. 4 is a side view thereof;

FIG. 5 is an opposite side view thereof;

FIG. 6 is a front view thereof; and,

FIG. 7 is a back view thereof.

**1 Claim, 4 Drawing Sheets**



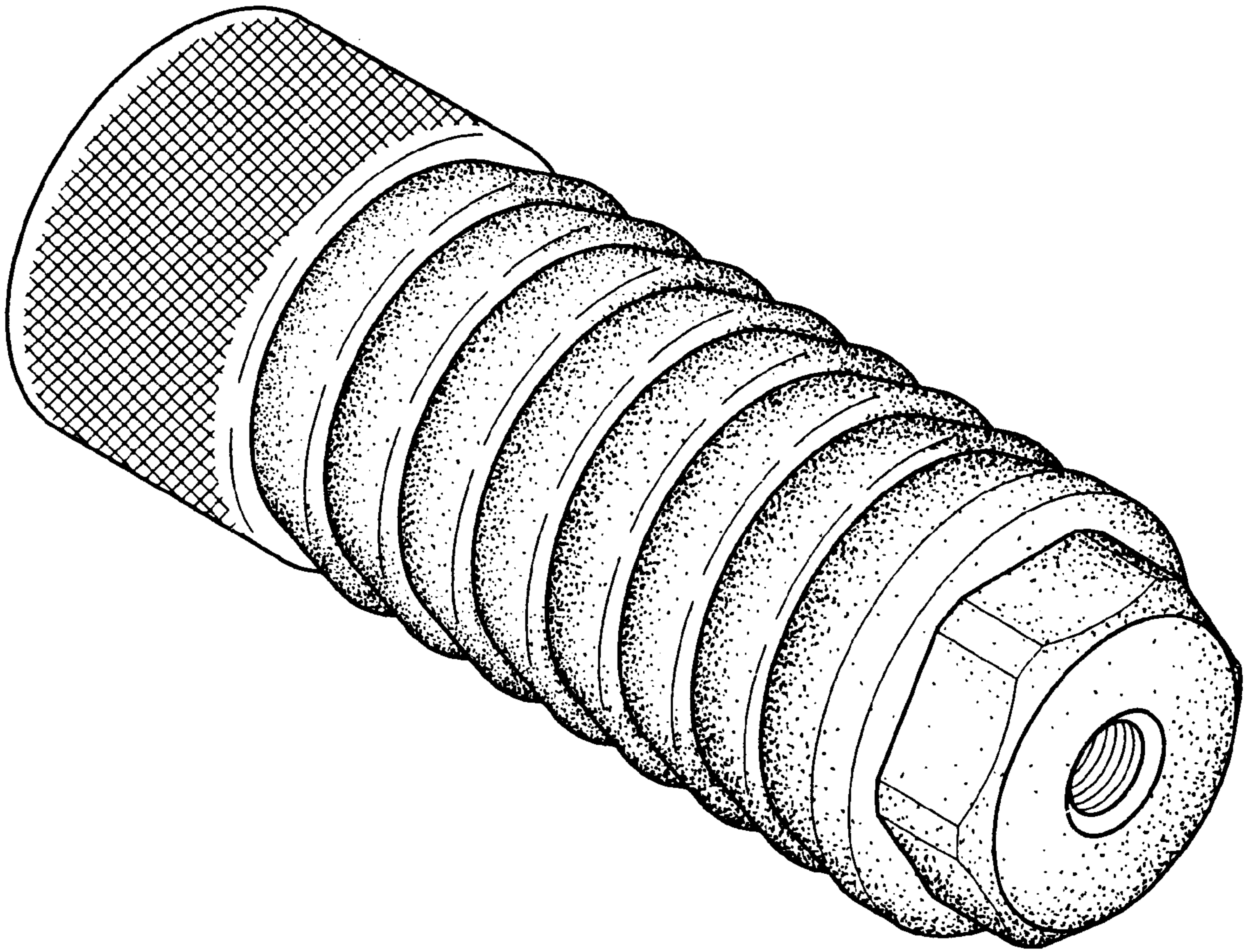


FIG. 1



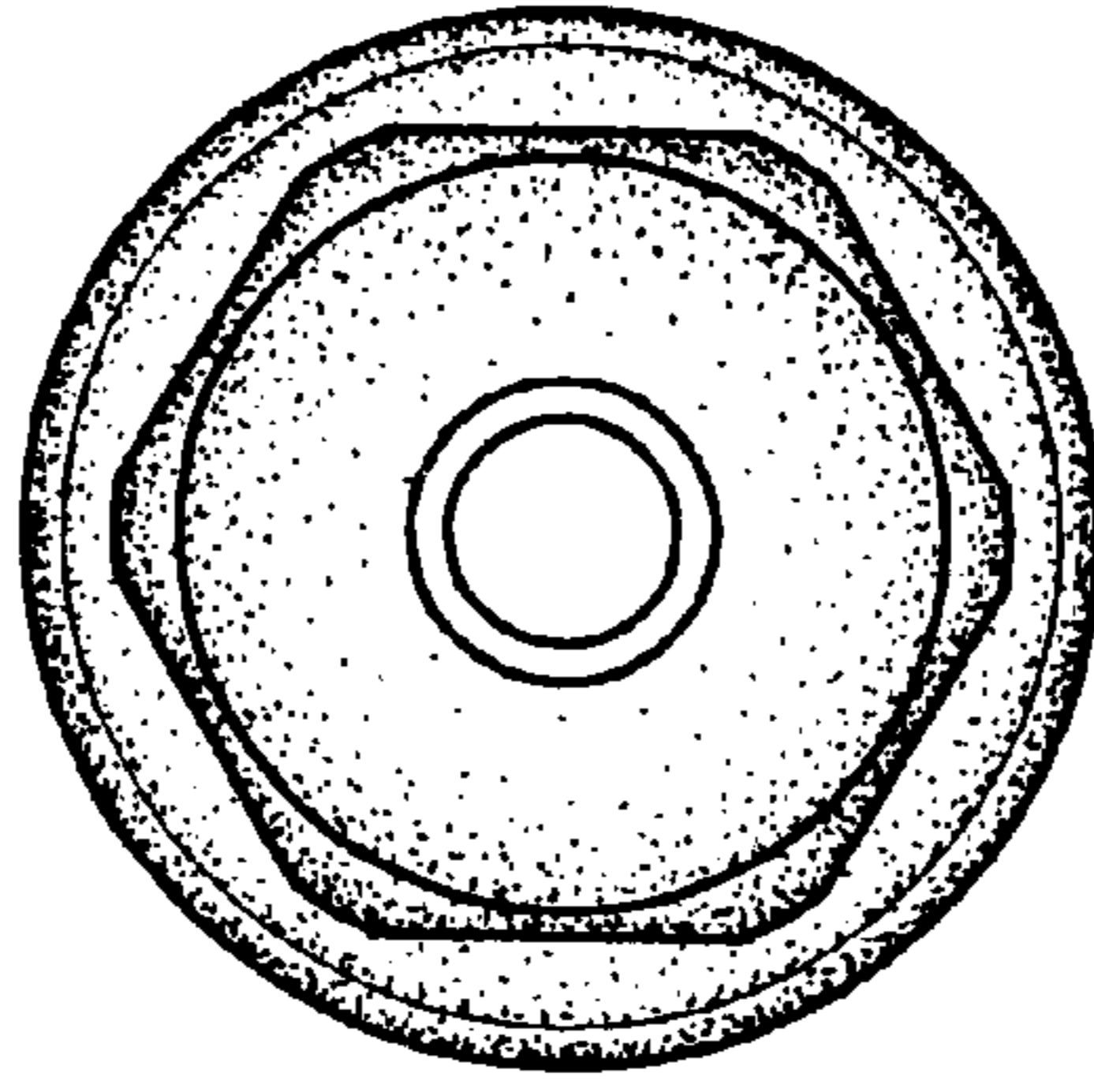


FIG. 2

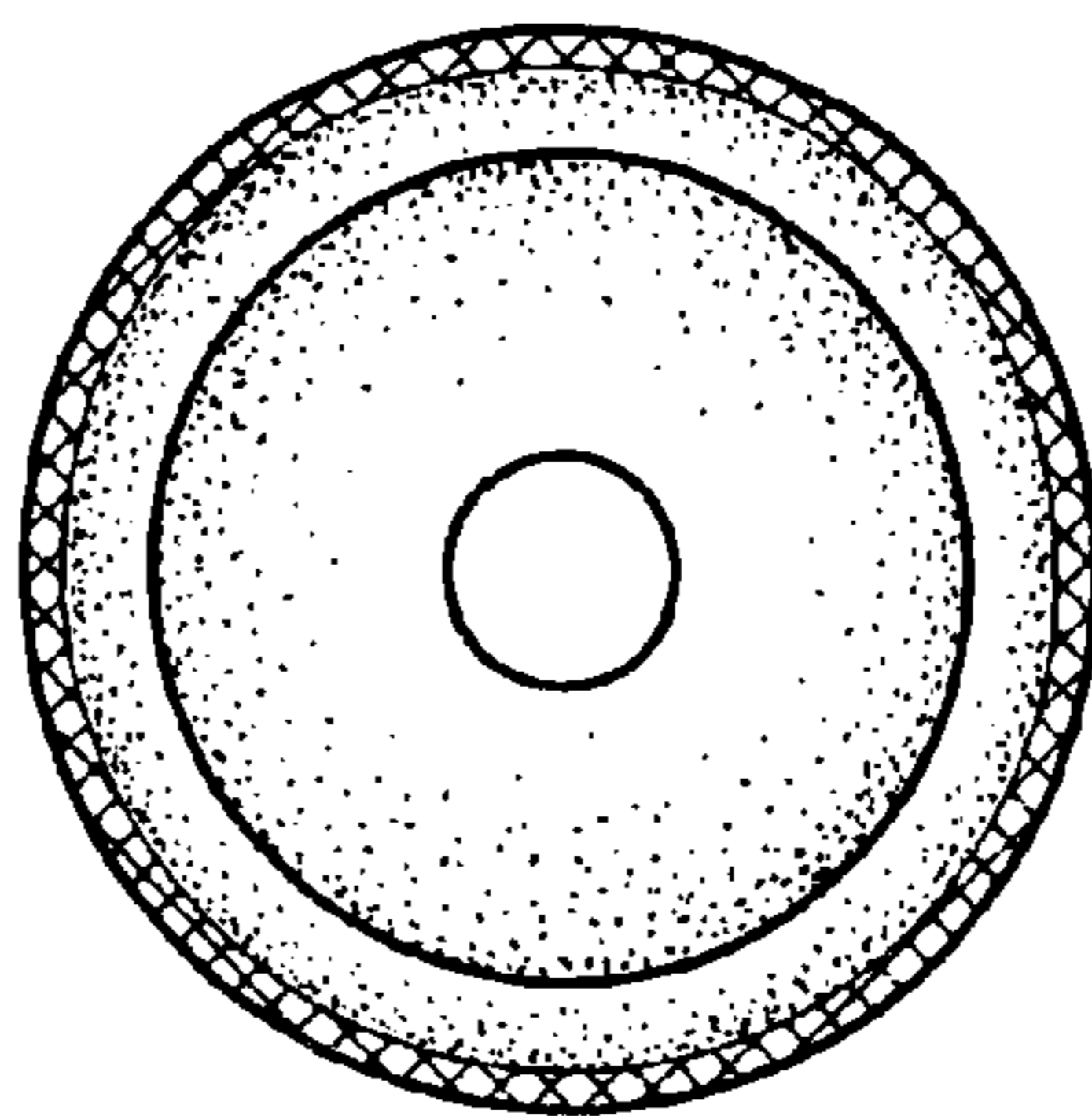


FIG. 3

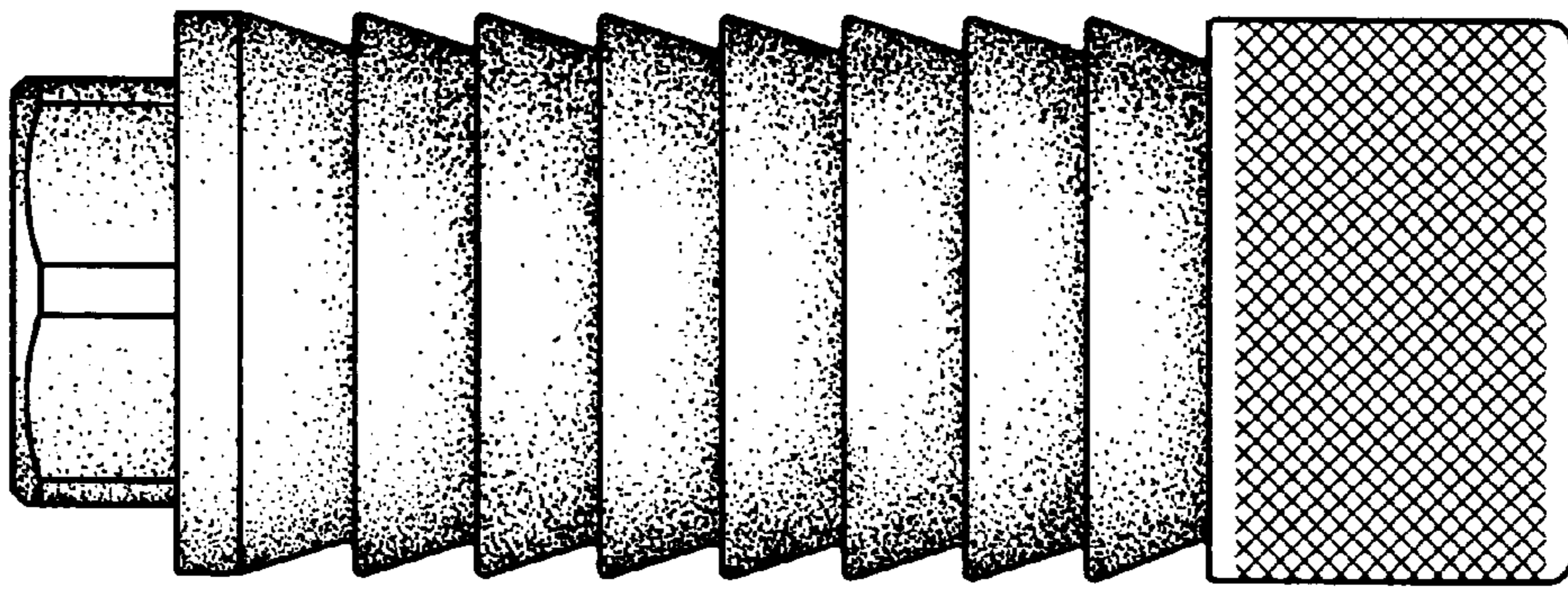


FIG. 4

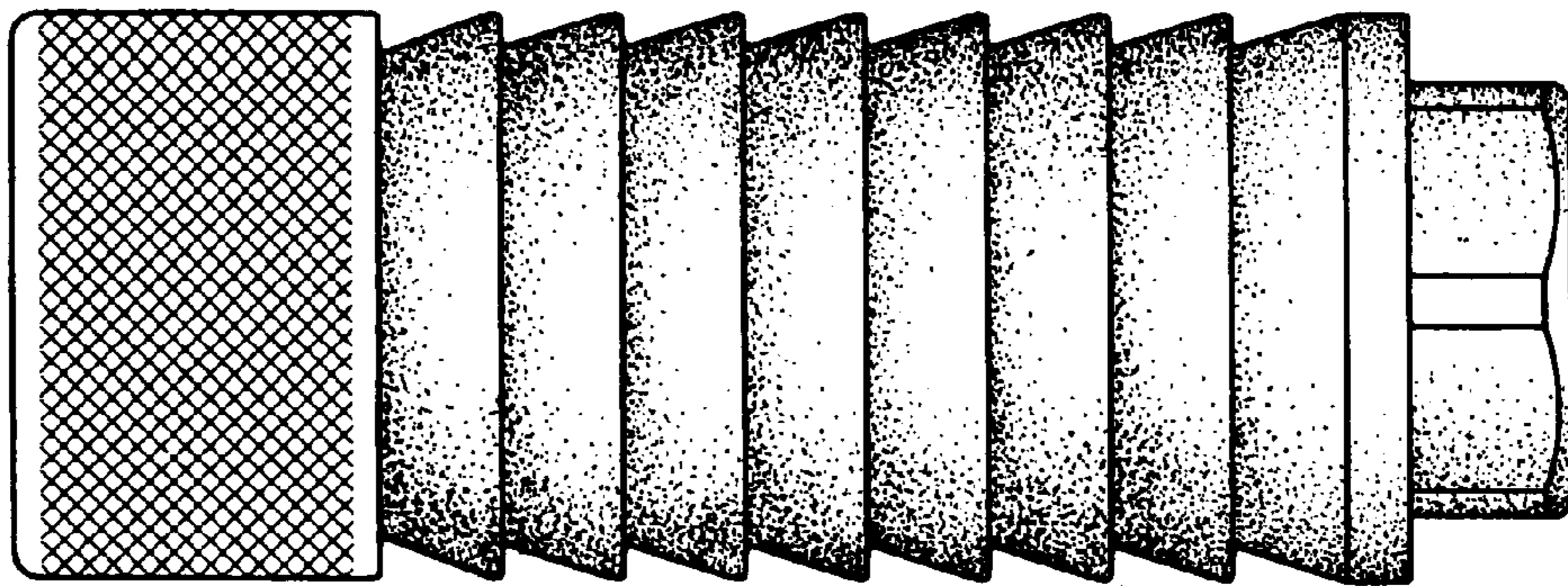


FIG. 5

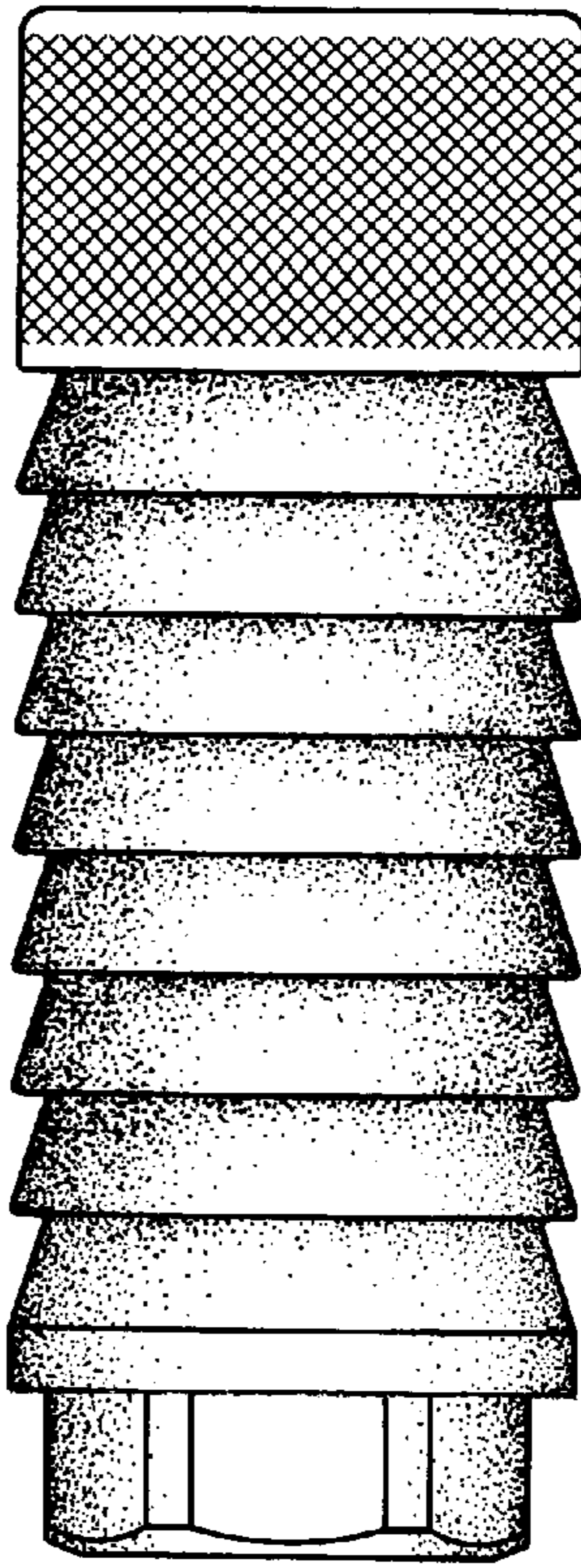


FIG. 6

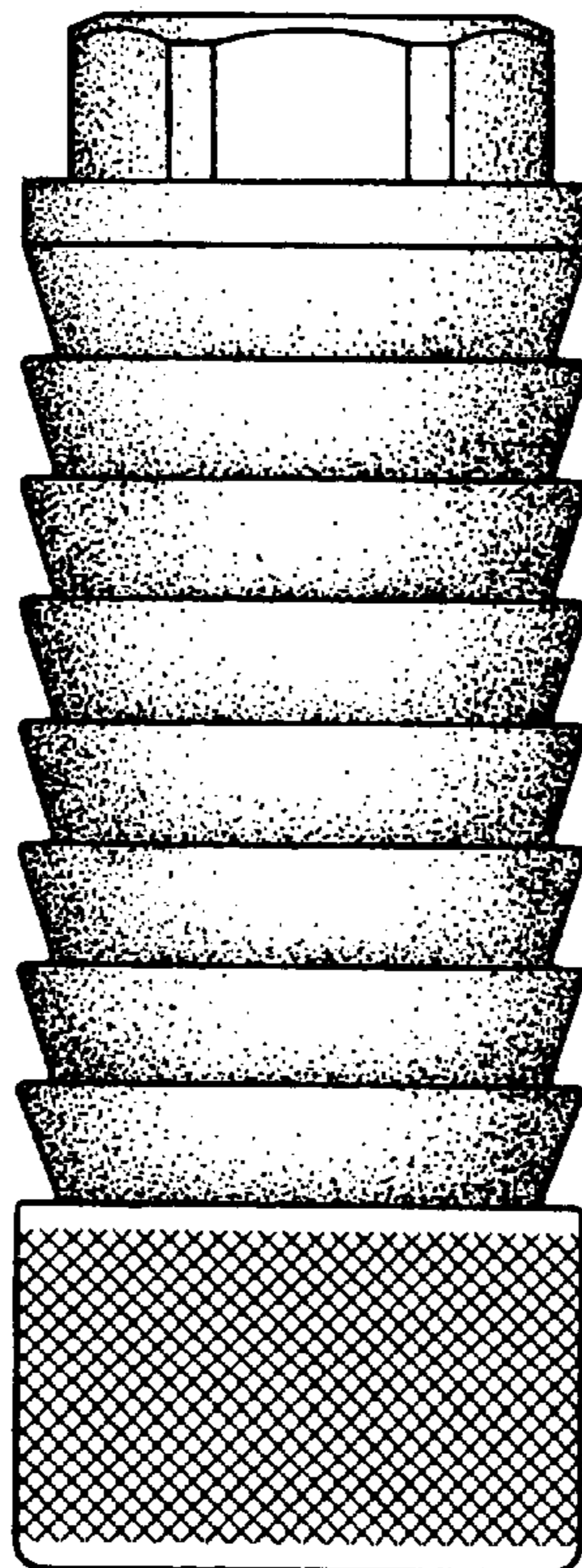


FIG. 7