



US00D426170S

United States Patent [19]
Leighton

[11] **Patent Number: Des. 426,170**
[45] **Date of Patent: ** Jun. 6, 2000**

[54] **TEMPORARY TONGUE RING**

[76] Inventor: **Michael Shane Leighton**, 5310 Oak Park La. #117, Agoura, Calif. 91301

[**] Term: **14 Years**

[21] Appl. No.: **29/108,175**

[22] Filed: **Jul. 21, 1999**

[51] **LOC (7) Cl.** **01-11**

[52] **U.S. Cl.** **D11/3**

[58] **Field of Search** D11/1, 2, 3, 4;
63/1.1, 2, 3, 14.1, 14.3

[56] **References Cited**

U.S. PATENT DOCUMENTS

D. 372,436 8/1996 Loch D11/3

Primary Examiner—Ralf Seifert
Attorney, Agent, or Firm—Goldstein & Canino

[57] **CLAIM**

The ornamental design for a temporary tongue ring, as shown and described.

DESCRIPTION

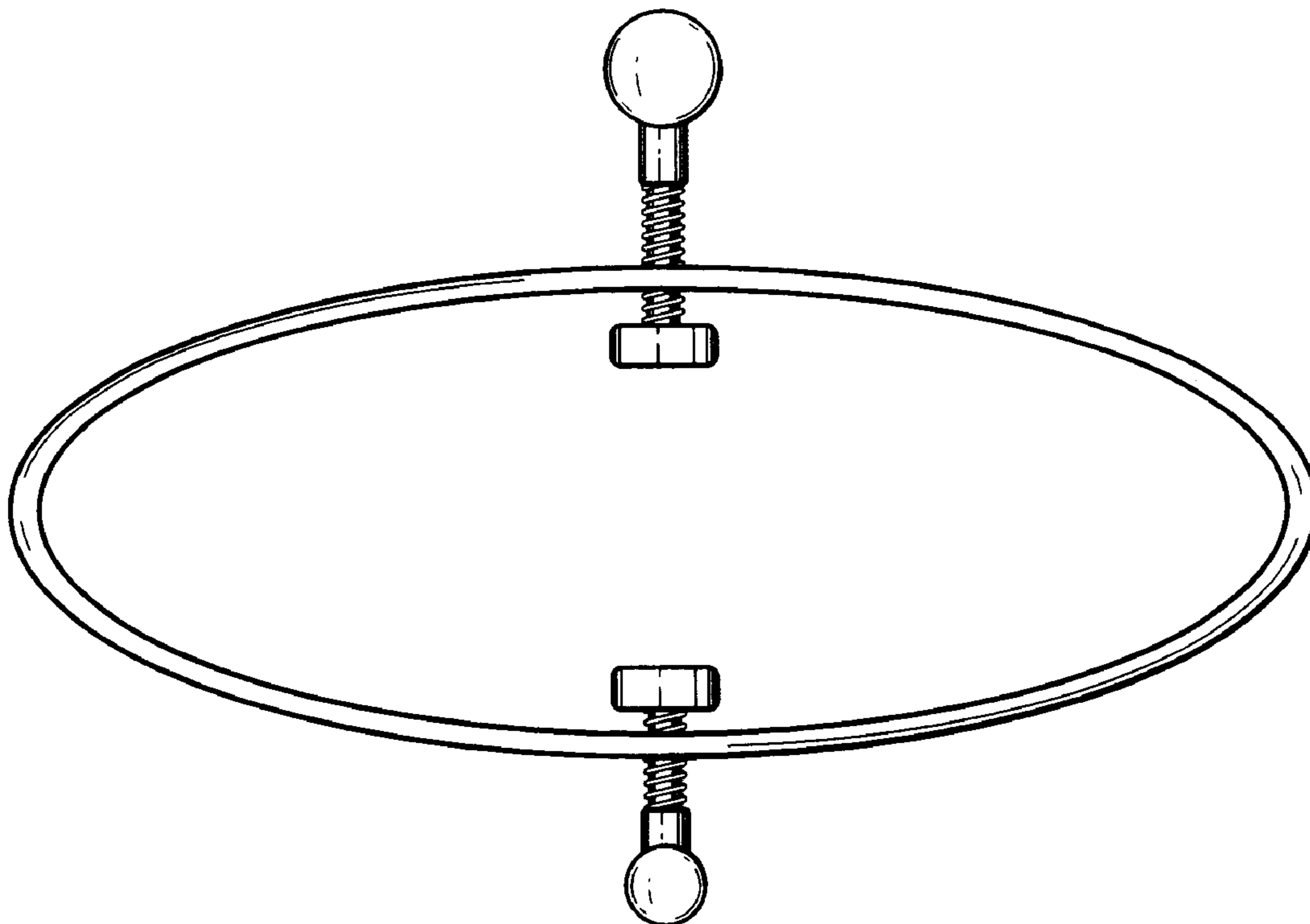
FIG. 1 is a front elevational view of a temporary tongue ring, the rear elevational view being a mirror image of the front view.

FIG. 2 is a top plan view thereof.

FIG. 3 is a bottom plan view thereof; and,

FIG. 4 is left side elevational view thereof, the right side elevational view is a mirror image of the left side view.

1 Claim, 1 Drawing Sheet



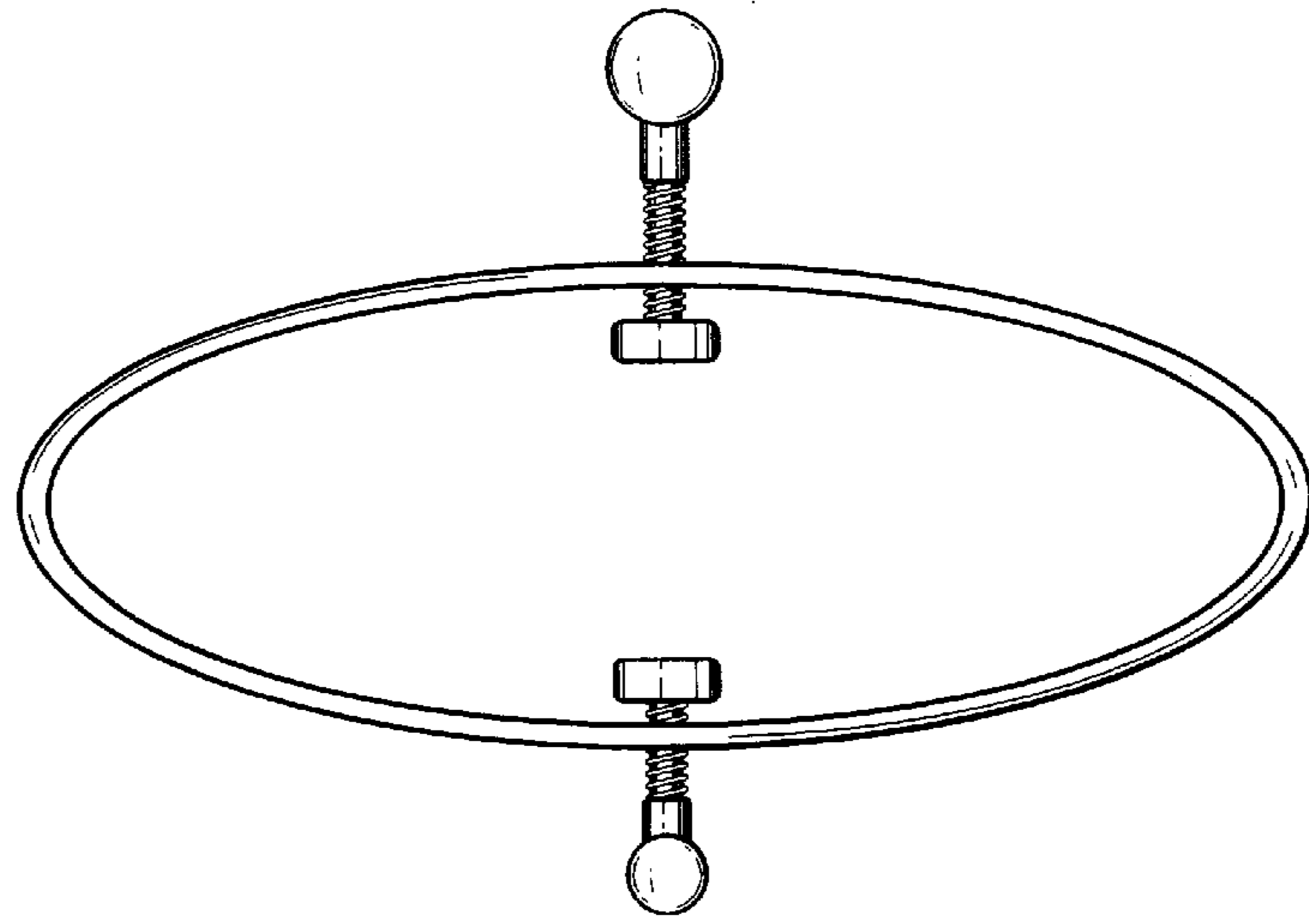


FIG. 1

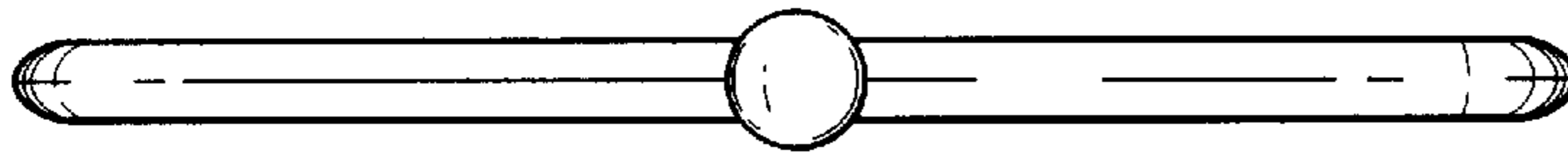


FIG. 2

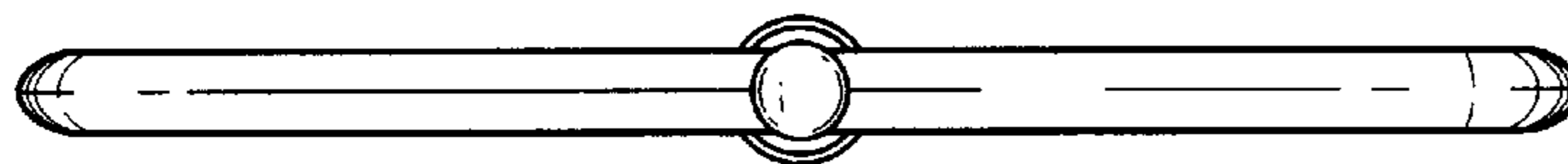


FIG. 3

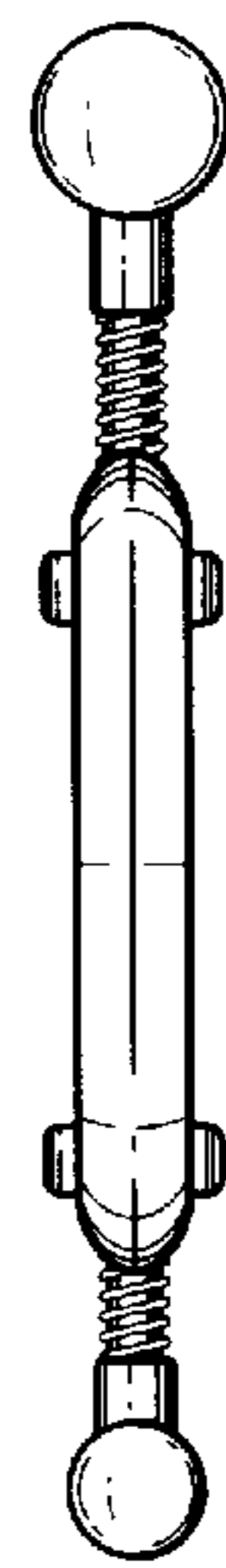


FIG. 4