



US00D426169S

United States Patent [19] Hedgewick

[11] **Patent Number: Des. 426,169**
[45] **Date of Patent: ** Jun. 6, 2000**

[54] **SNOWPLOWABLE PAVEMENT MARKER**

[75] Inventor: **Peter H. Hedgewick**, Windsor, Canada

[73] Assignee: **Pac-Tec, Inc.**, Heath, Ohio

[**] Term: **14 Years**

[21] Appl. No.: **29/068,730**

[22] Filed: **Mar. 17, 1997**

[51] **LOC (7) Cl.** **10-05**

[52] **U.S. Cl.** **D10/113**

[58] **Field of Search** D10/104, 109,
D10/111, 113, 121; 404/6, 9, 10, 11, 12,
13, 14, 15; 116/63 R, 63 P, 63 C, 173;
40/612

[56] **References Cited**

U.S. PATENT DOCUMENTS

D. 110,468	7/1938	Sprung	D10/113
D. 220,554	4/1971	Hedgewick	D10/113
D. 266,060	9/1982	Beretta	D10/113
D. 325,706	4/1992	Holgate	D10/113
D. 339,080	9/1993	Gartlacker	D10/113
D. 354,246	1/1995	Weid	D10/113

D. 360,601	7/1995	Weid	D10/113
2,260,498	10/1941	Wise	D10/113
2,703,038	3/1955	Shaw	D10/113

Primary Examiner—Marcus A. Jackson
Attorney, Agent, or Firm—Gifford, Krass, Groh, Sprinkle,
Anderson & Citkowski, P.C.

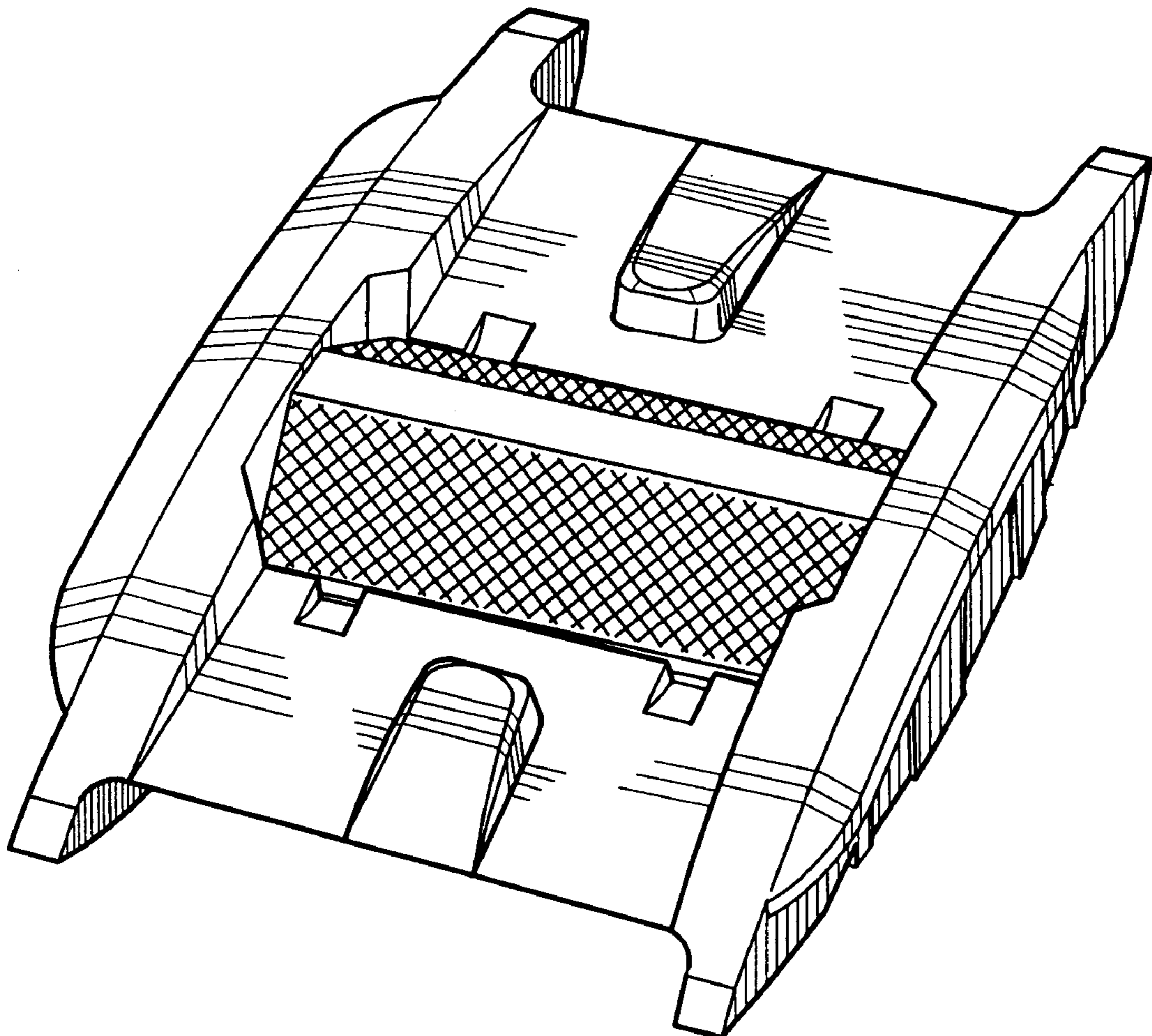
[57] **CLAIM**

I claim the ornamental design for snowplowable pavement marker, as shown and described.

DESCRIPTION

FIG. 1 is a perspective view of a snowplowable pavement marker showing a new design;
FIG. 2 is a top elevational view thereof;
FIG. 3 is a left side elevational view, with the opposite side being a mirror image;
FIG. 4 is a cross-sectional view of the snowplowable pavement marker taken along lines 4—4 of FIG. 2;
FIG. 5 is a cross-sectional view of the snowplowable pavement marker taken along lines 5—5 of FIG. 2; and,
FIG. 6 is a cross-sectional view of the snowplowable pavement marker in the pavement taken along lines 6—6 of FIG. 2.

1 Claim, 2 Drawing Sheets



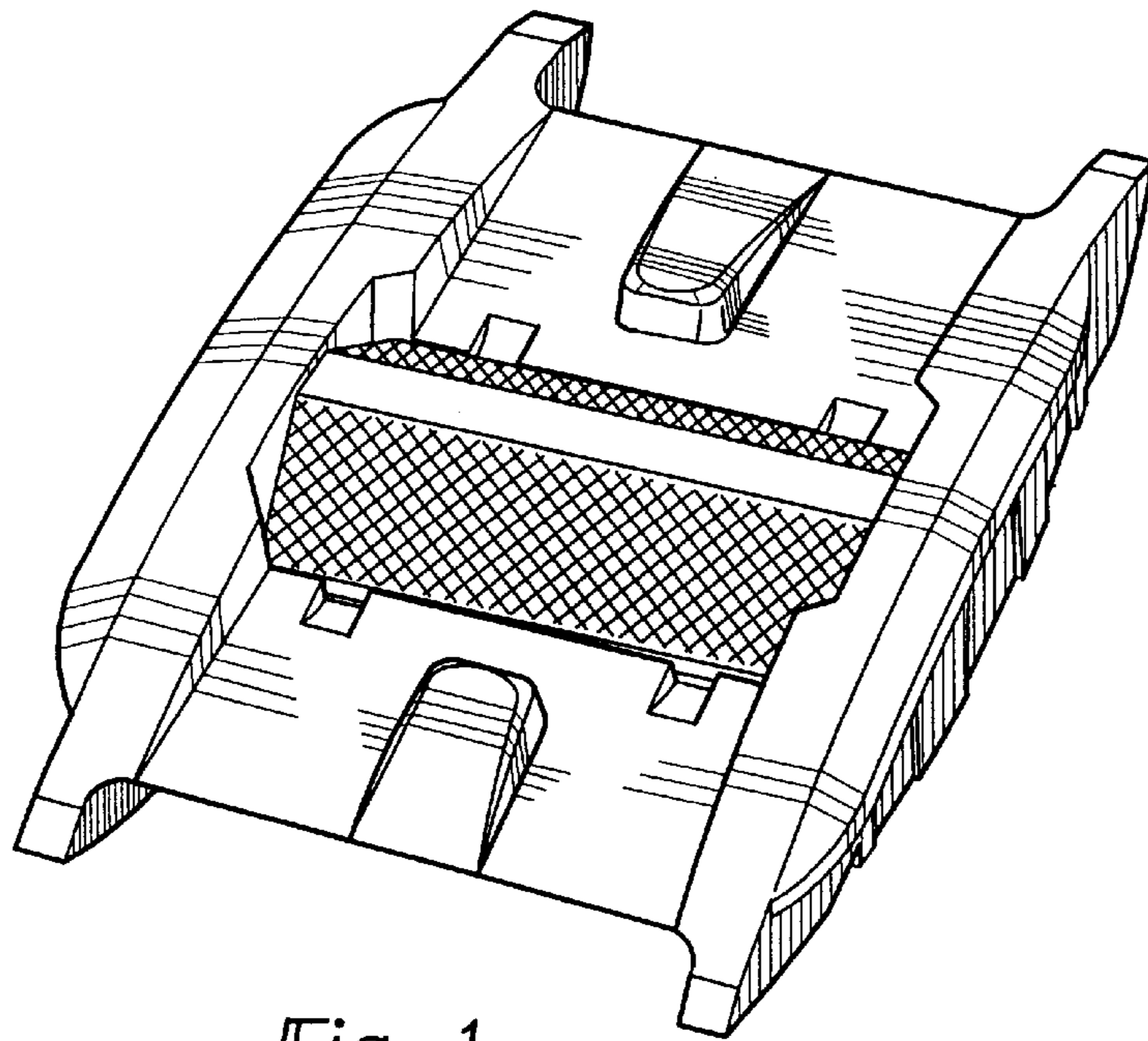


Fig-1

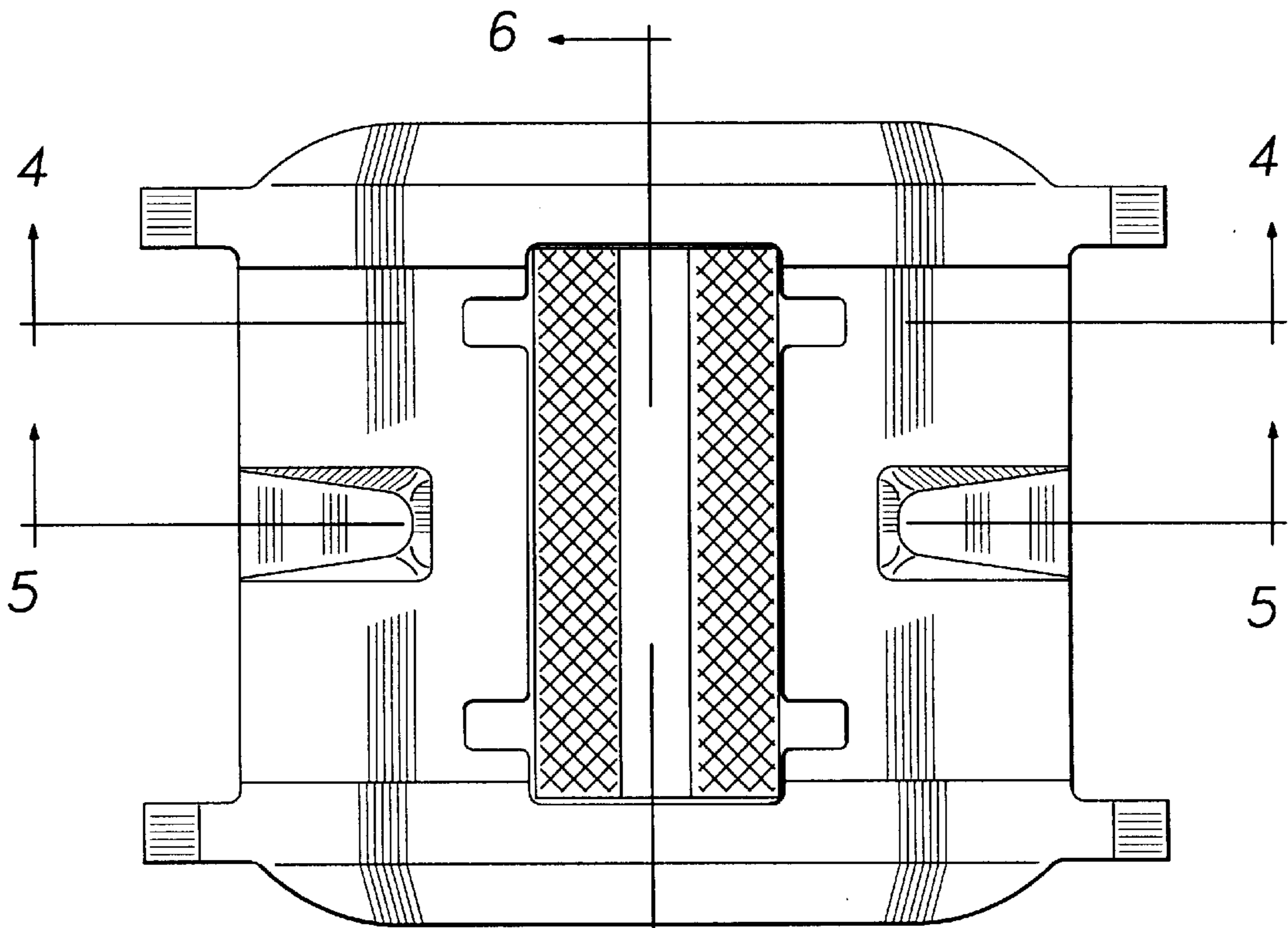


Fig-2

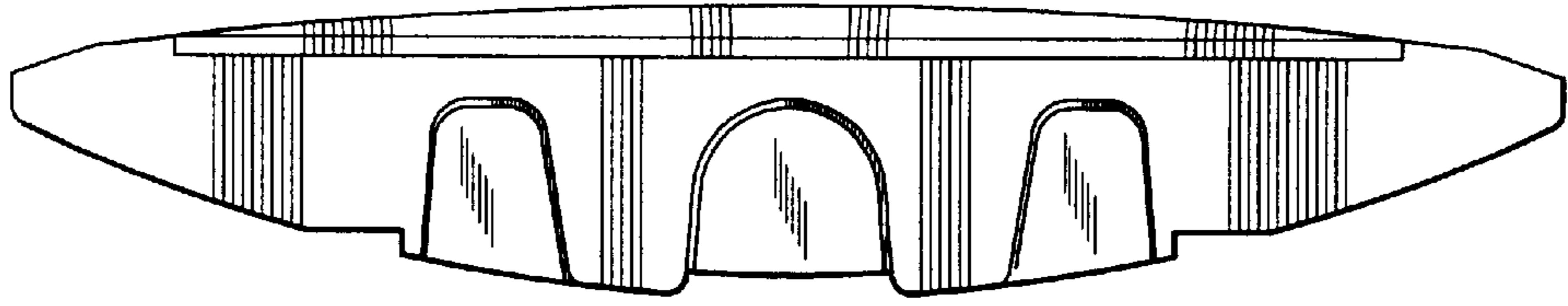


Fig-3

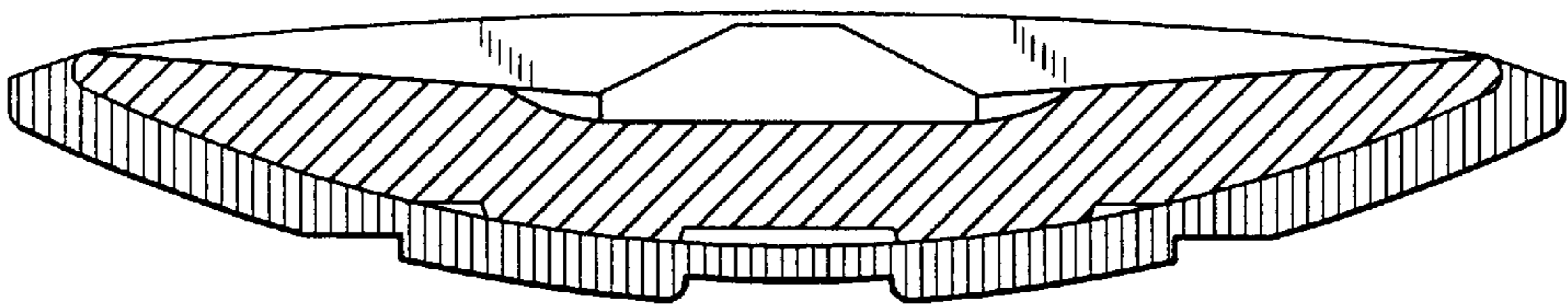


Fig-4

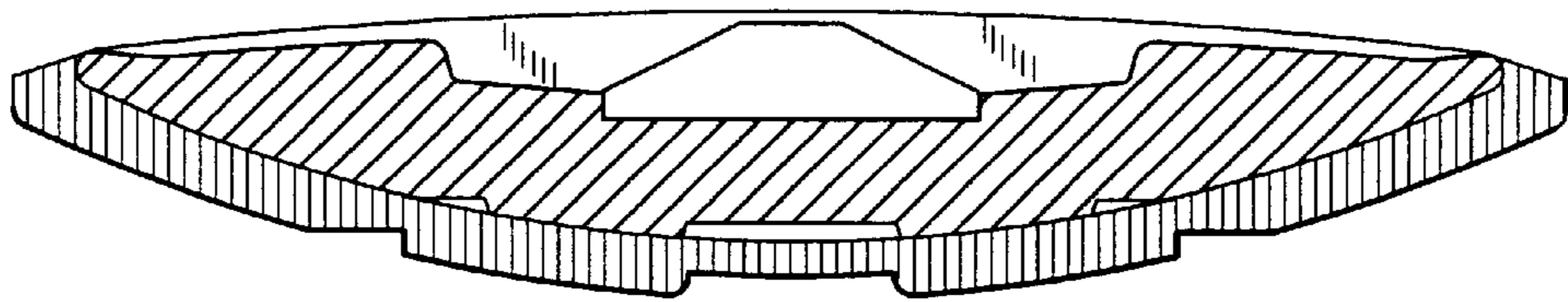


Fig-5

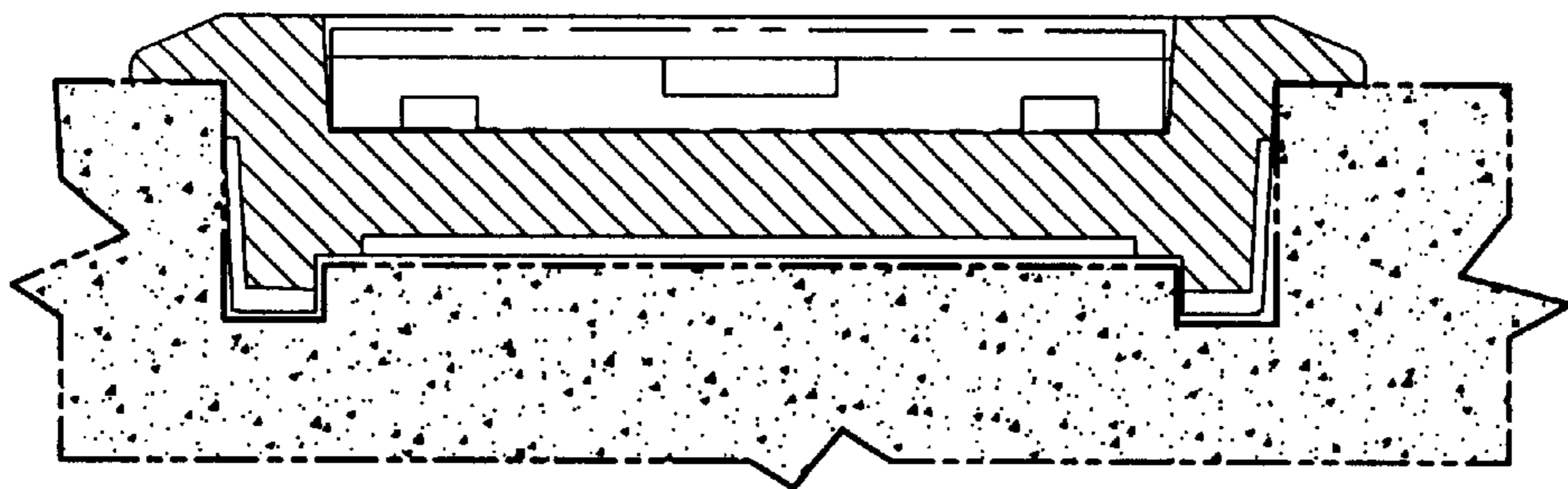


Fig-6