



US00D426159S

United States Patent [19]

[11] Patent Number: **Des. 426,159**

Briere et al.

[45] Date of Patent: **** *Jun. 6, 2000**

[54] SAFETY CLOSURE HAVING OVERSIZED THUMBPADS

[75] Inventors: **Marc A. Briere**, Newburgh;
Christopher B. Clodfelter; **William D. Sprick**, both of Evansville, all of Ind.

[73] Assignee: **Rexam Plastics Inc.**, Evansville, Ind.

[*] Notice: This patent is subject to a terminal disclaimer.

[**] Term: **14 Years**

[21] Appl. No.: **29/093,139**

[22] Filed: **Sep. 4, 1998**

Related U.S. Application Data

[63] Continuation-in-part of application No. 08/861,793, May 22, 1997, Pat. No. 5,836,466.

[51] LOC (7) Cl. **09-07**

[52] U.S. Cl. **D9/453**; D9/443; D9/438

[58] Field of Search D9/435, 438, 443, D9/445, 453, 454, 503, 504, 529; 215/214, 216, 217, 250, 252-254, 256, 257; 220/265, 266, 270, 276, 279, 280

[56] References Cited

U.S. PATENT DOCUMENTS

D. 162,893	4/1951	Soffer	D9/443
D. 162,894	4/1951	Soffer	D9/443
D. 241,317	9/1976	Brackman	D9/529 X
D. 370,845	6/1996	Sherman et al.	D9/438
D. 405,371	2/1999	Herr	D9/453 X
3,399,796	9/1968	Steiner .	
3,445,022	5/1969	Cilluffo .	
3,794,200	2/1974	Marks .	
3,848,761	11/1974	Libit .	
3,904,062	9/1975	Grussen	215/252
3,934,744	1/1976	Curry .	
3,949,893	4/1976	Uhlig .	
3,984,021	10/1976	Uhlig .	
3,993,208	11/1976	Ostrowsky .	
3,993,209	11/1976	Julian .	
4,037,747	7/1977	Acton et al. .	
4,213,534	7/1980	Montgomery .	

4,345,690	8/1982	Hopley .	
4,351,443	9/1982	Uhlig .	
4,376,497	3/1983	Mumford	215/216 X
4,413,743	11/1983	Summers .	
4,452,363	6/1984	Davis	215/216
4,456,136	6/1984	Palsson .	
4,653,672	3/1987	Tuerk et al.	215/216 X
4,667,836	5/1987	McLaren	215/216
4,756,435	7/1988	Schick et al. .	
4,986,430	1/1991	Dutt	215/253
5,050,754	9/1991	Marino	215/256
5,292,020	3/1994	Narin .	
5,456,375	10/1995	May	215/252
5,460,281	10/1995	Rapchak et al. .	
5,462,182	10/1995	Opresco .	
5,560,505	10/1996	Schneider et al. .	
5,673,809	10/1997	Ohmi et al.	215/252
5,727,703	3/1998	Fuchs	215/214
5,819,967	10/1998	Lo	215/216 X
5,865,330	2/1999	Buono	215/216

FOREIGN PATENT DOCUMENTS

977312	12/1964	United Kingdom	215/254
WO 90/02692	3/1990	WIPO .	

Primary Examiner—Cathron B. Matta
Attorney, Agent, or Firm—Middleton & Reutlinger; John F. Salazar; Charles G. Lamb

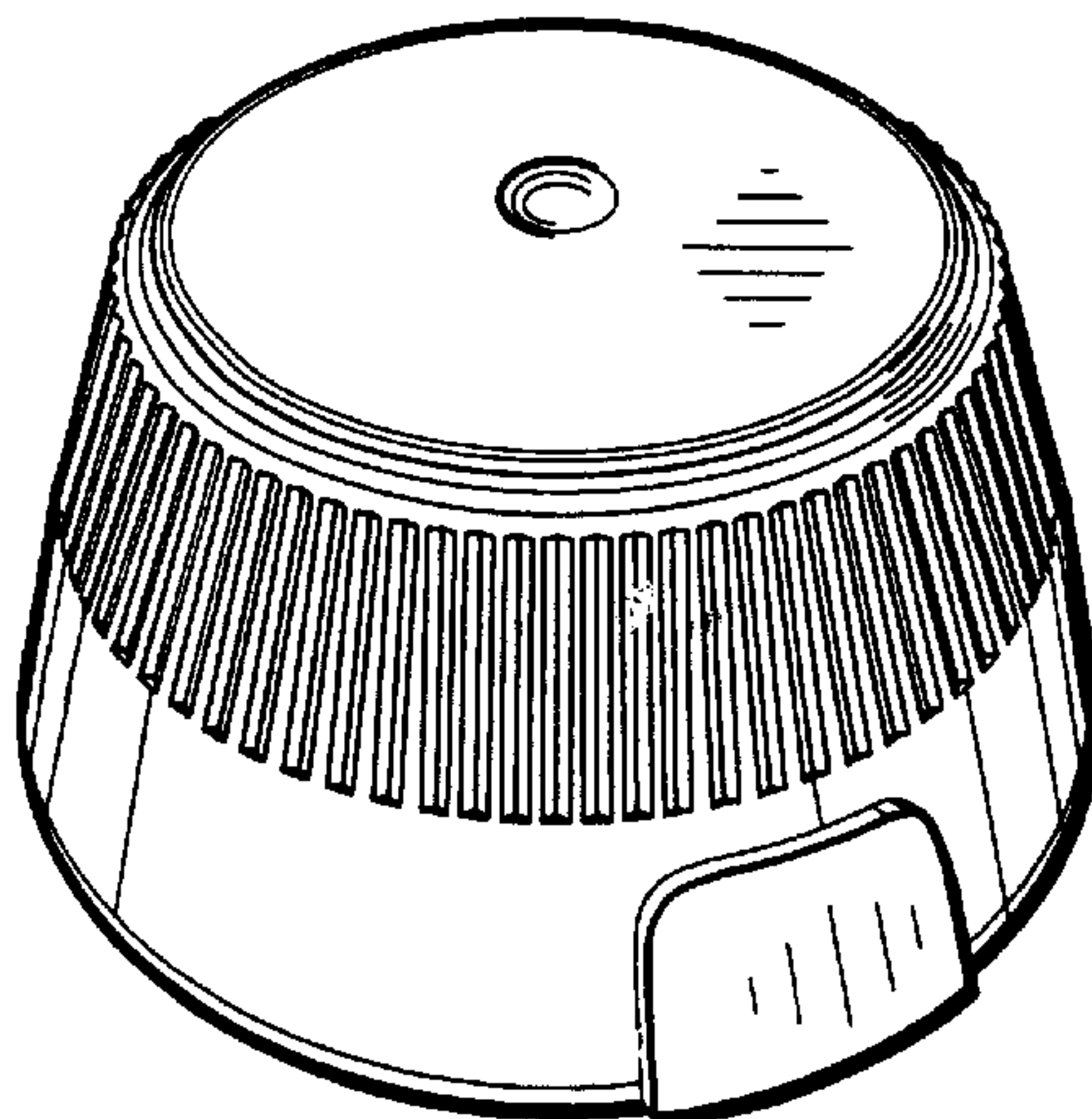
[57] CLAIM

The ornamental design for a safety closure having oversized thumbpads, as shown and described.

DESCRIPTION

FIG. 1 is a top perspective view of a safety closure having oversized thumbpads according to a preferred embodiment of the present invention;
FIG. 2 is a front view of the safety closure having oversized thumbpads according to FIG. 1;
FIG. 3 is a left-side view of the safety closure having oversized thumbpads according to FIG. 1;
FIG. 4 is a top view of the safety closure having oversized thumbpads according to FIG. 1;
FIG. 5 is a bottom view of the safety closure having oversized thumbpads according to FIG. 1; and,
FIG. 6 is a bottom perspective view of the safety closure according to FIG. 1.

1 Claim, 3 Drawing Sheets



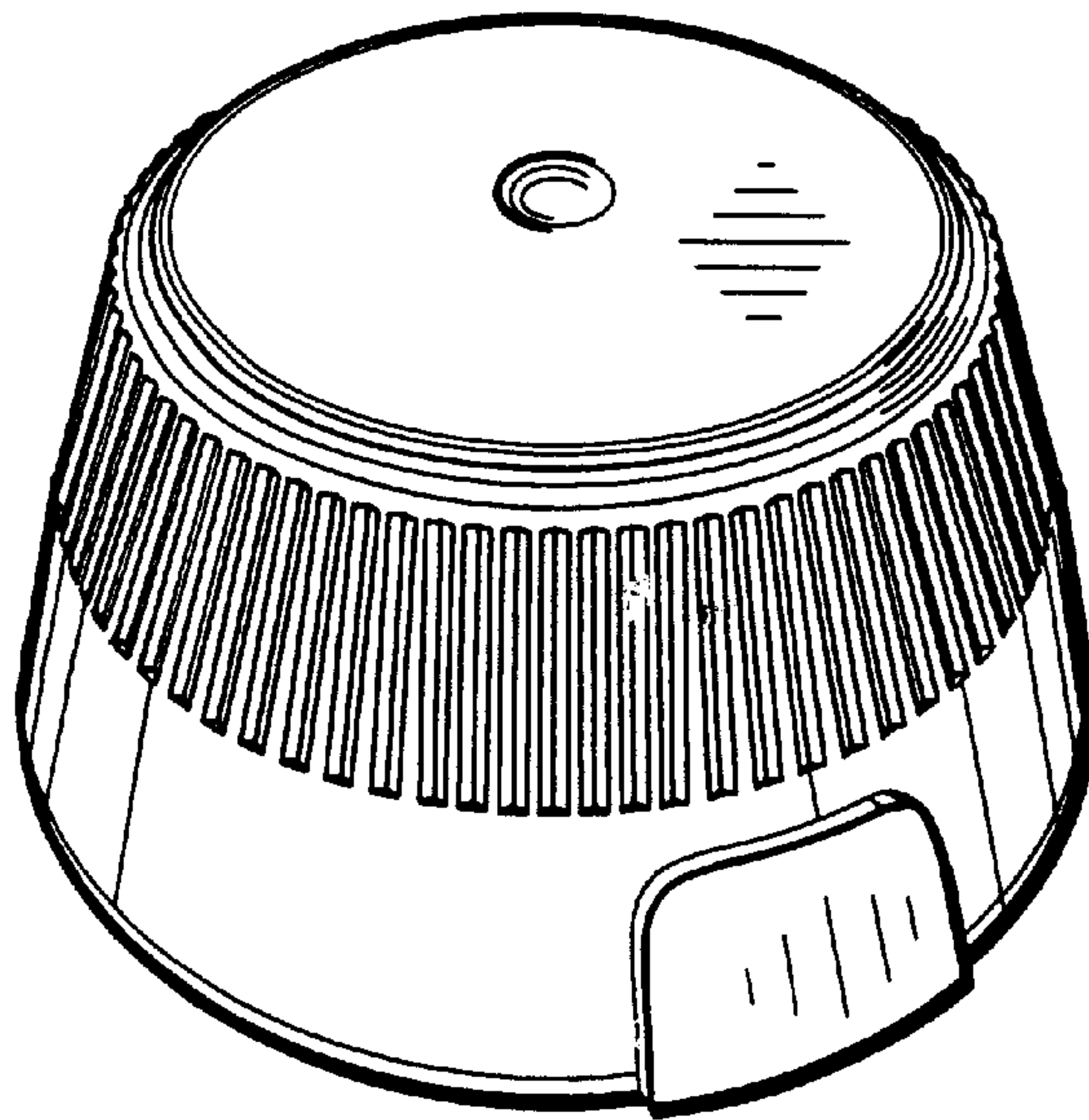


FIG. 1

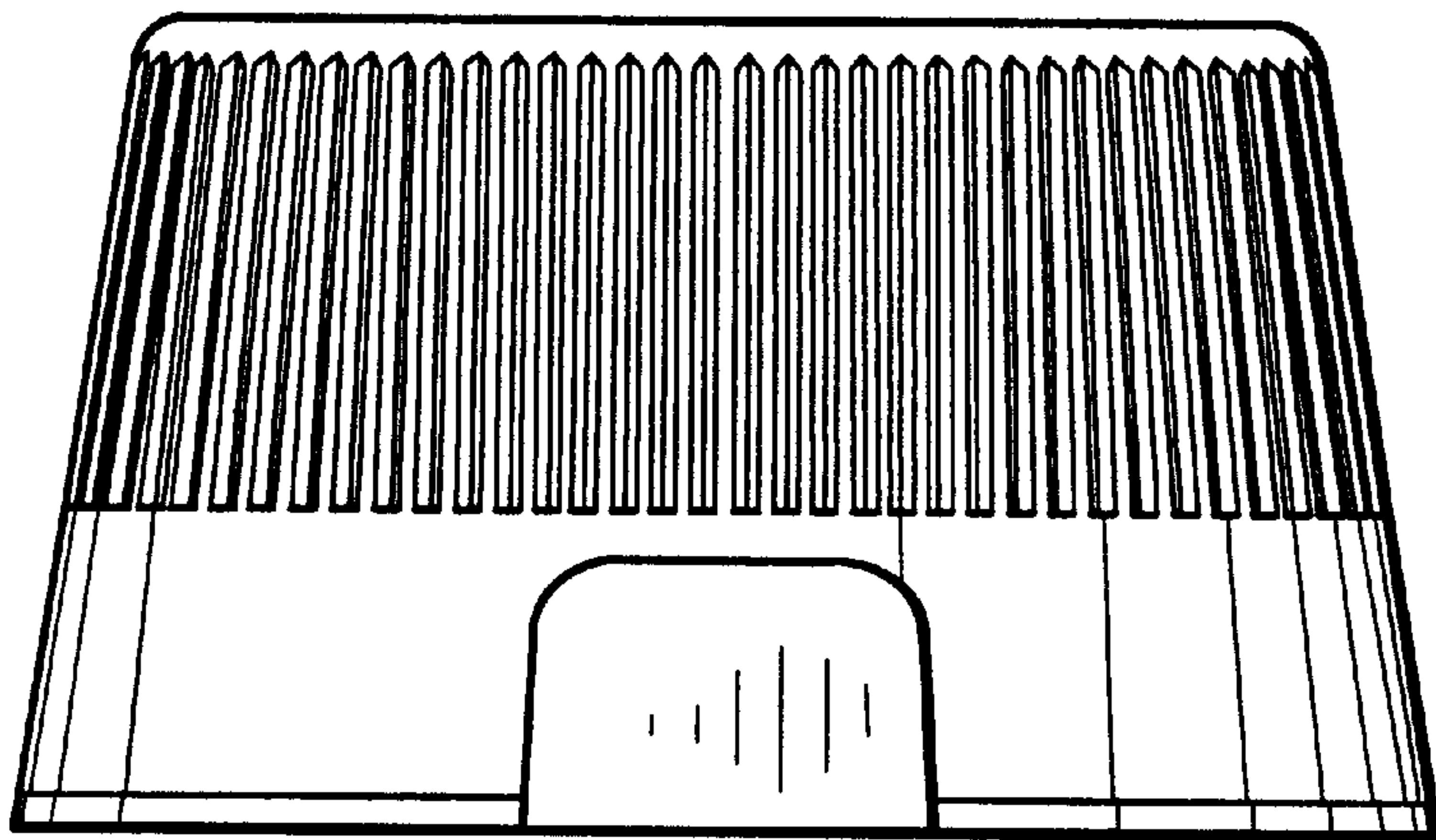


FIG. 2

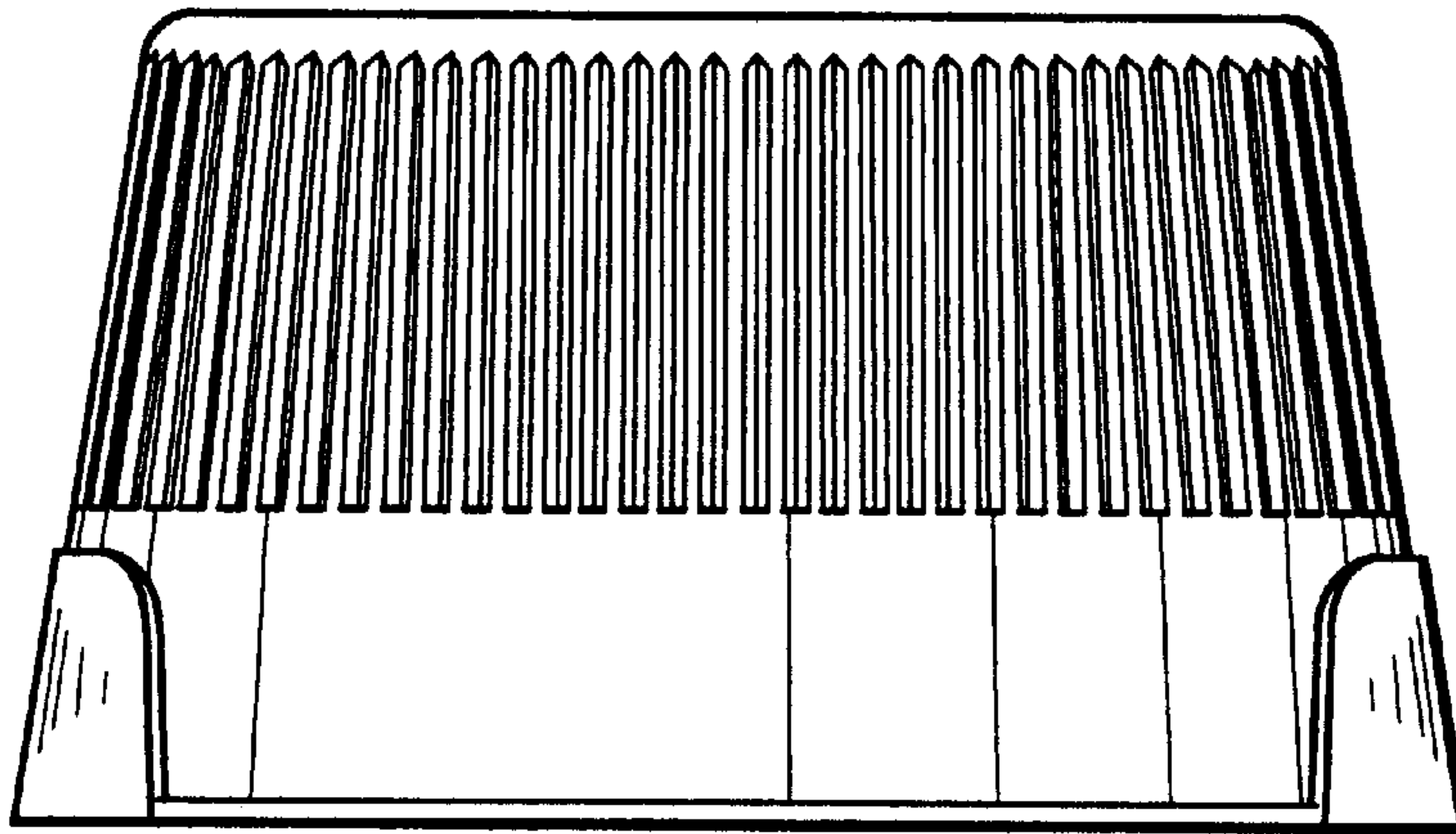


FIG. 3

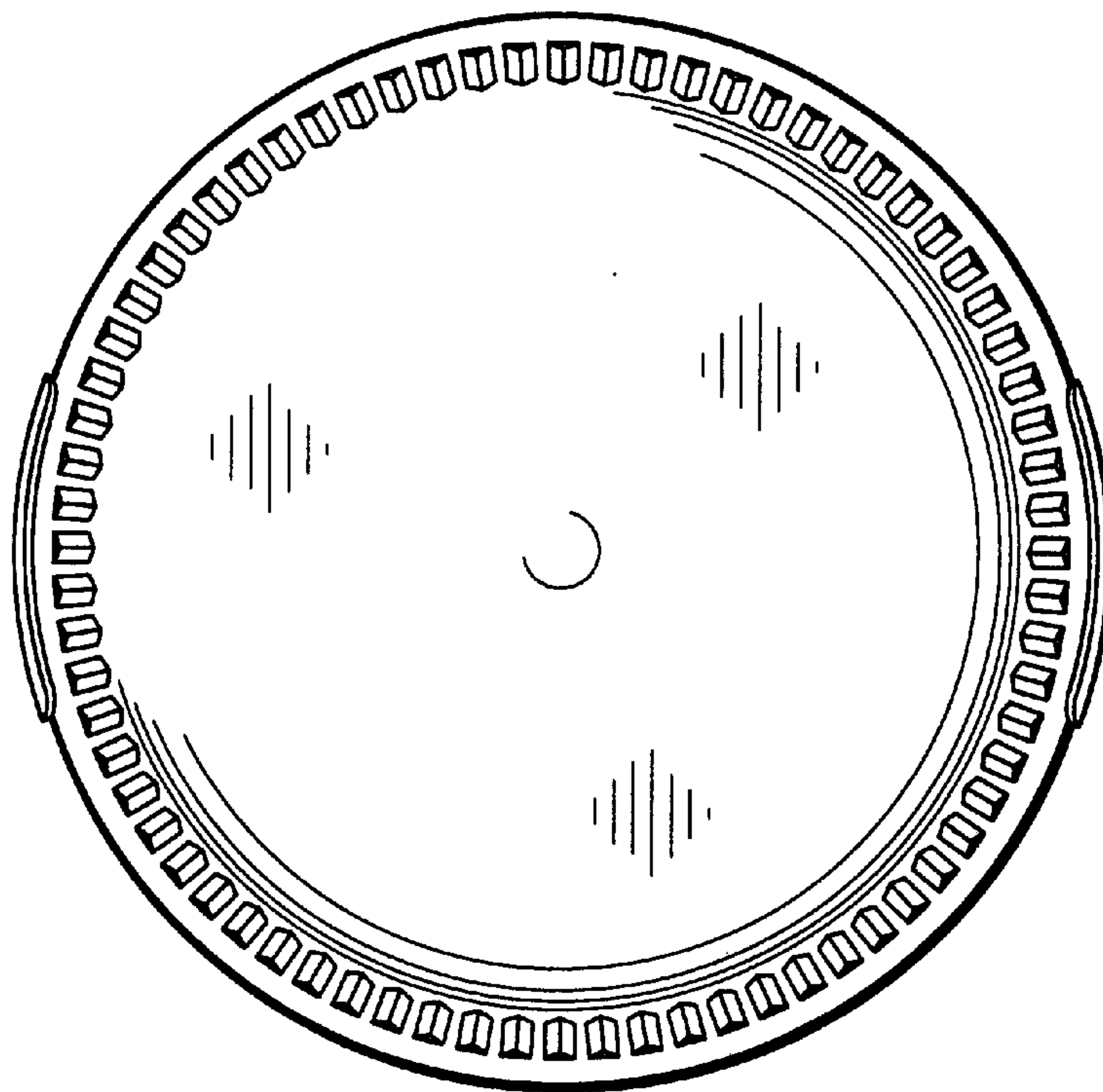


FIG. 4

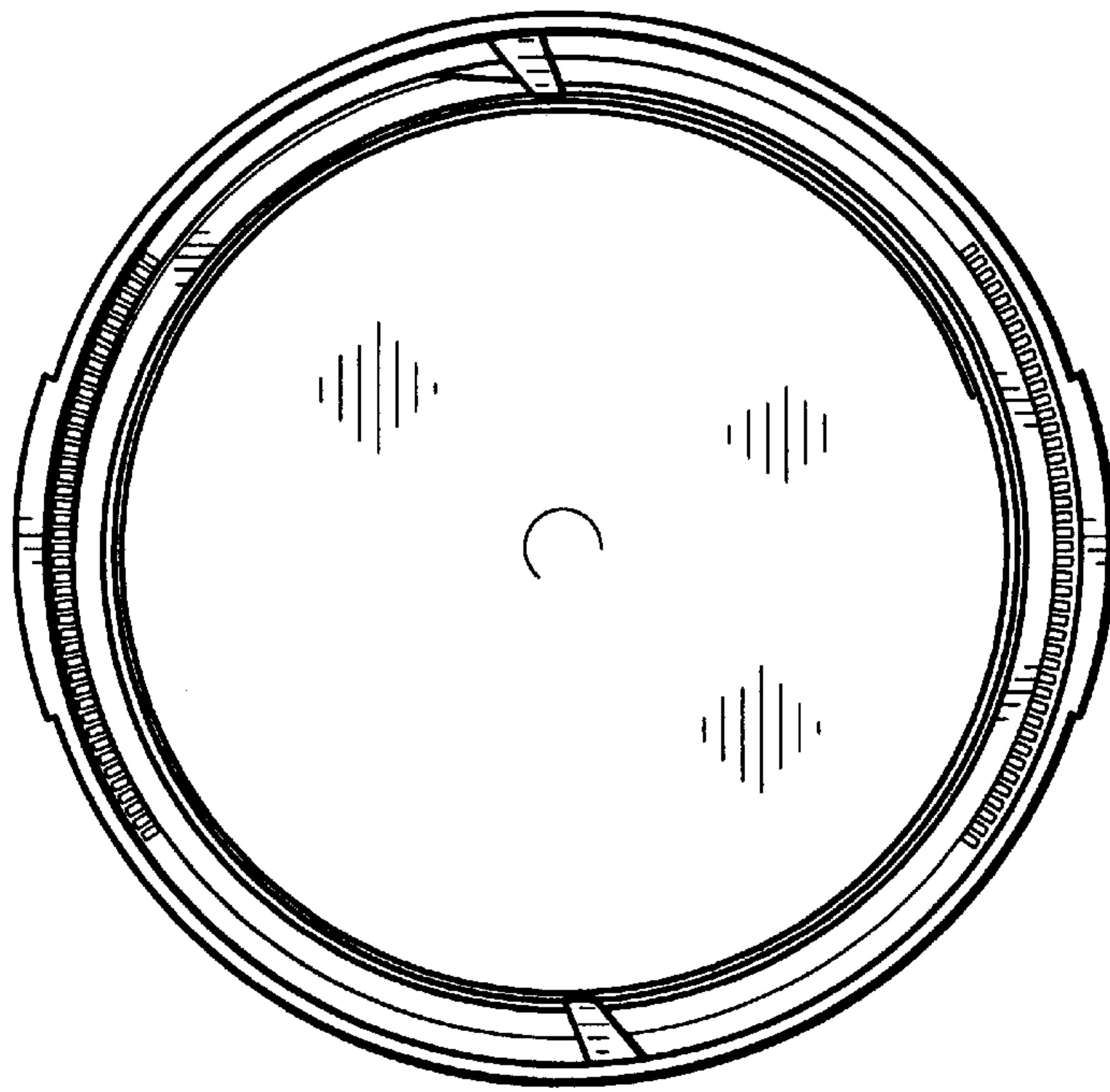


FIG. 5

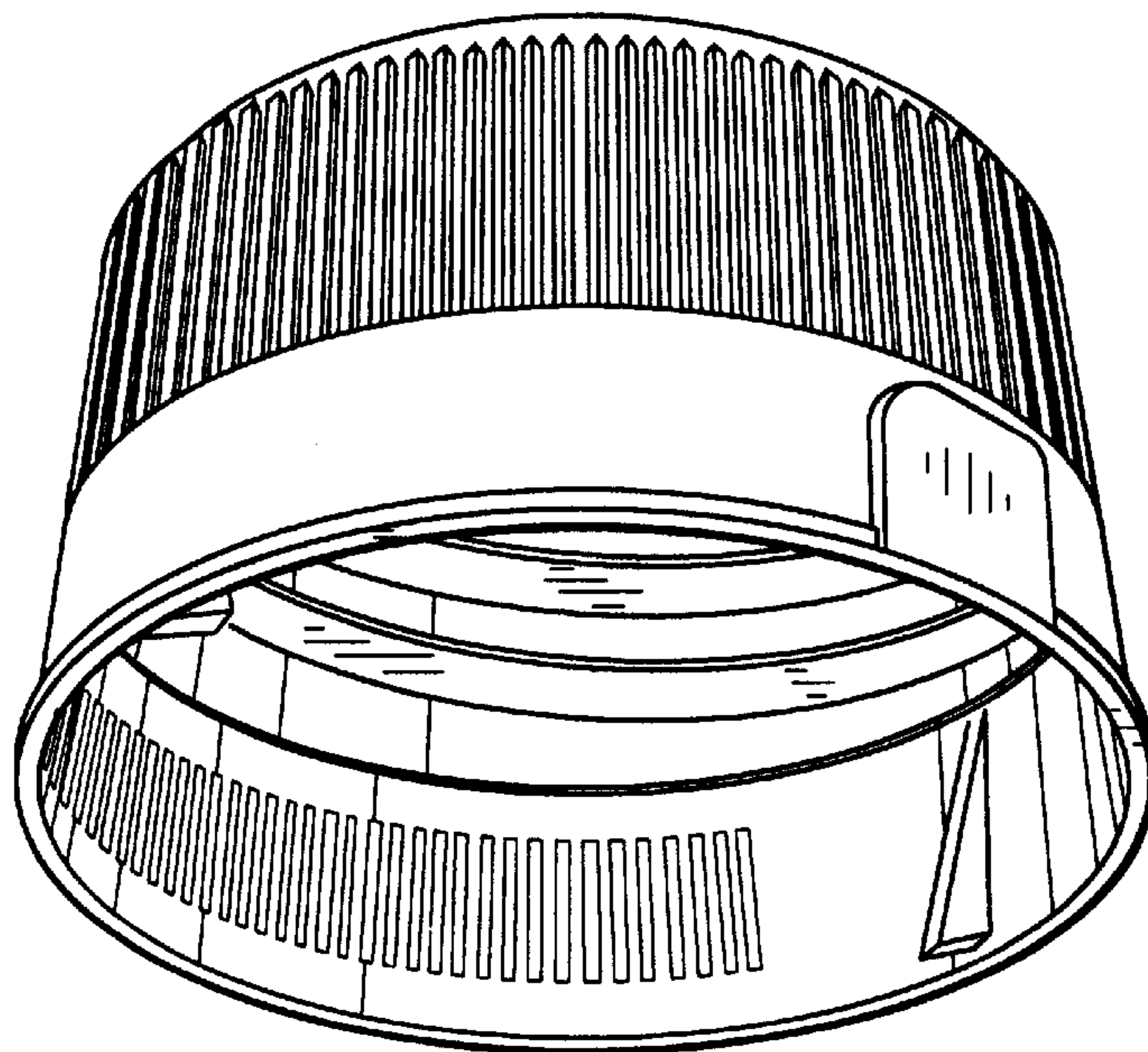


FIG. 6