



US00D426151S

United States Patent [19] Ling

[11] **Patent Number: Des. 426,151**
[45] **Date of Patent: ** Jun. 6, 2000**

[54] **TOOL DISPLAY BOX**

[75] Inventor: **David Ling**, Taichung, Taiwan

[73] Assignee: **Hand Tool Design Corporation**,
Wilmington, Del.

[**] Term: **14 Years**

[21] Appl. No.: **29/107,225**

[22] Filed: **Jul. 1, 1999**

[51] **LOC (7) Cl.** **09-07**

[52] **U.S. Cl.** **D9/415**

[58] **Field of Search** D9/415, 418, 341,
D9/347, 451, 337; 206/461-471, 495, 806,
234, 349, 372, 373, 376-379; D3/228,
905

[56] **References Cited**

U.S. PATENT DOCUMENTS

- D. 334,534 4/1993 Friz et al. D9/415
- D. 394,806 6/1998 Budert D9/415
- D. 403,150 12/1998 Diener et al. D9/415 X

- D. 412,438 8/1999 Kopala, Jr. D9/415
- D. 412,844 8/1999 Kopala, Jr. D9/415
- 5,447,232 9/1995 Chow 206/372 X
- 5,598,924 2/1997 McCann 206/372
- 5,730,303 3/1998 Chow 206/372 X

Primary Examiner—Prabhakar Deshmukh
Attorney, Agent, or Firm—Alan Kamrath; Oppenheimer,
Wolff & Donnelly LLP

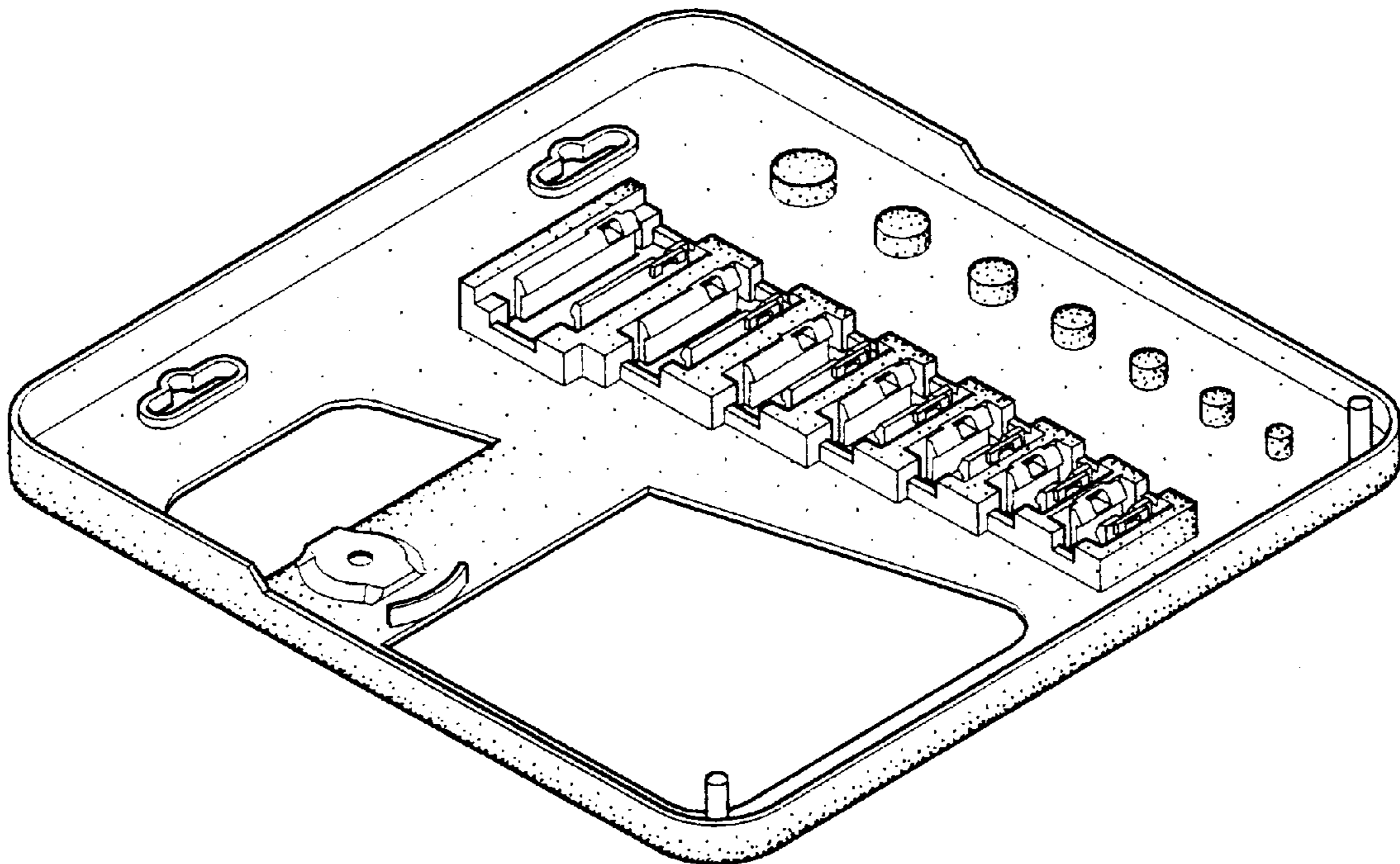
[57] **CLAIM**

The ornamental design for tool display box, as shown and described.

DESCRIPTION

FIG. 1 is a perspective view of a tool display box showing my new design;
FIG. 2 is a front elevational view thereof;
FIG. 3 is a rear elevational view thereof;
FIG. 4 is a left elevational view thereof; the opposite side being a mirror image of the shown.
FIG. 5 is a top plan view thereof; and,
FIG. 6 is a bottom plan view thereof.

1 Claim, 4 Drawing Sheets



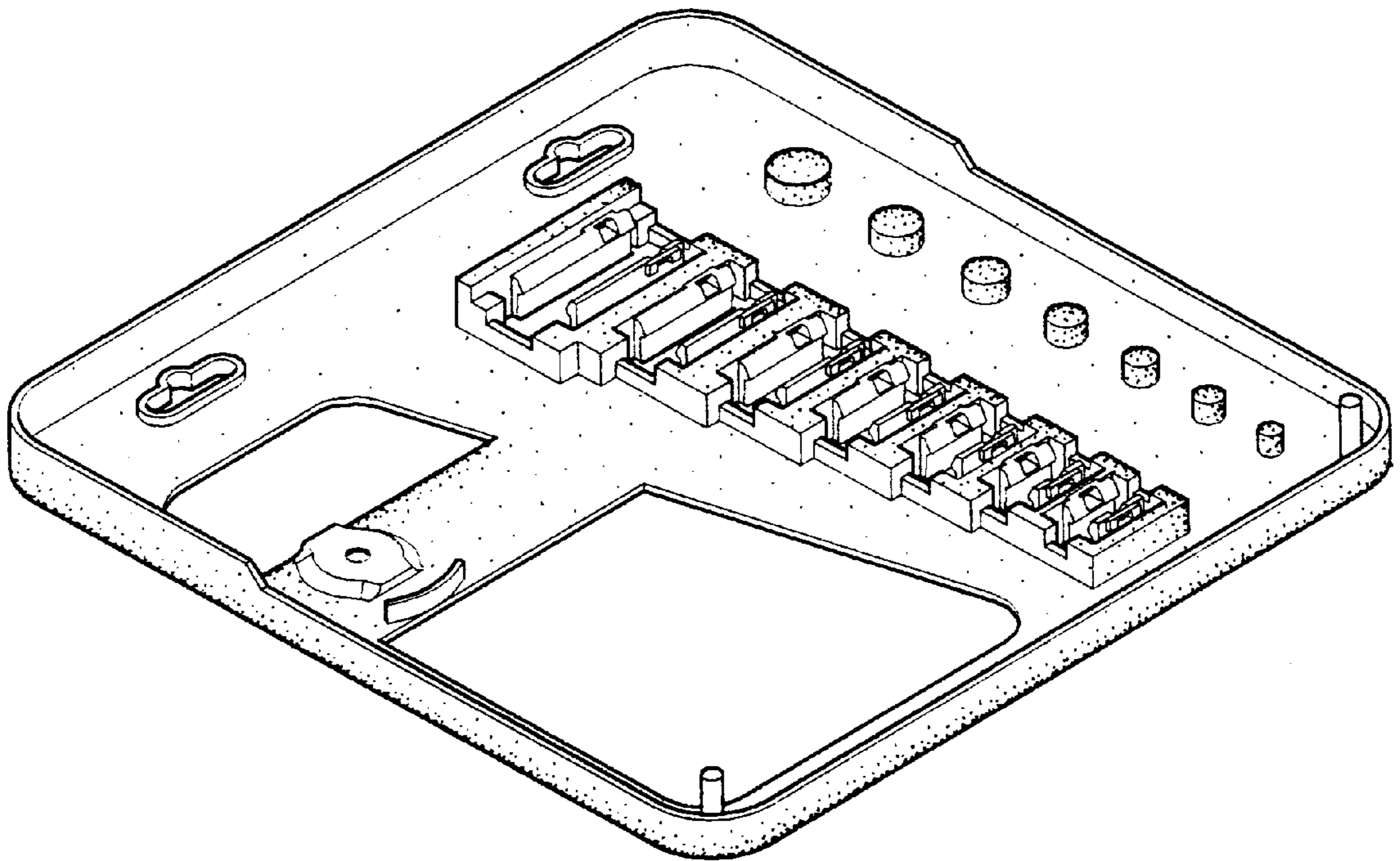


Fig 1

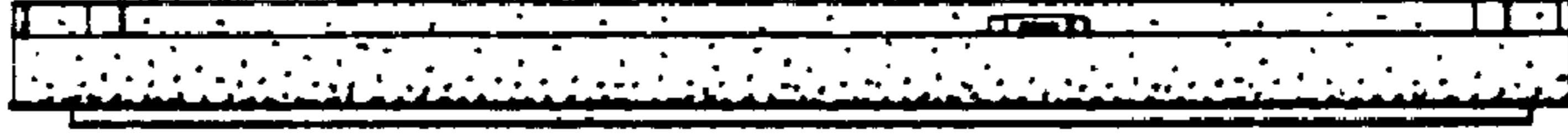


Fig 2



Fig 3



Fig 4

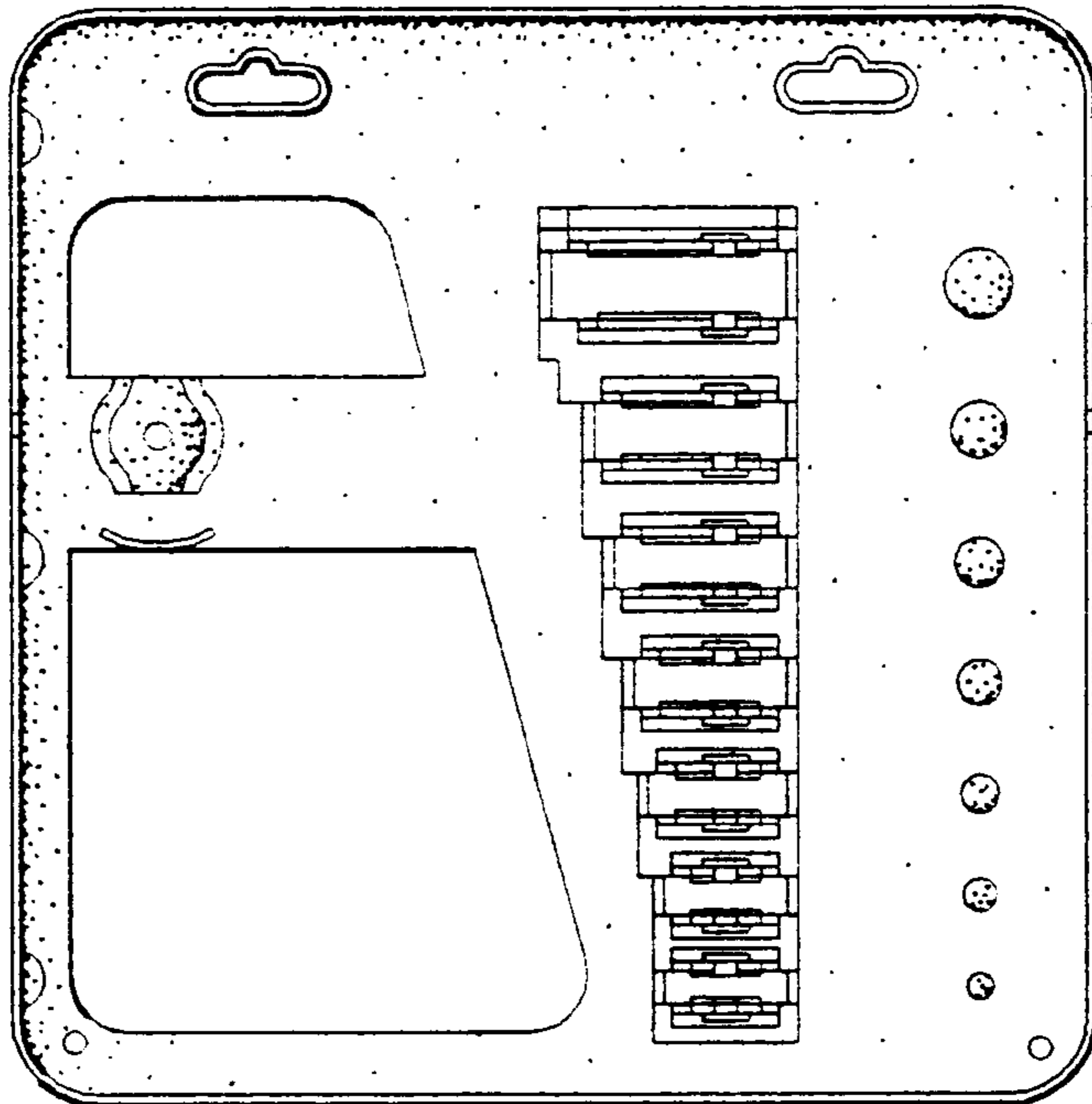


Fig 5

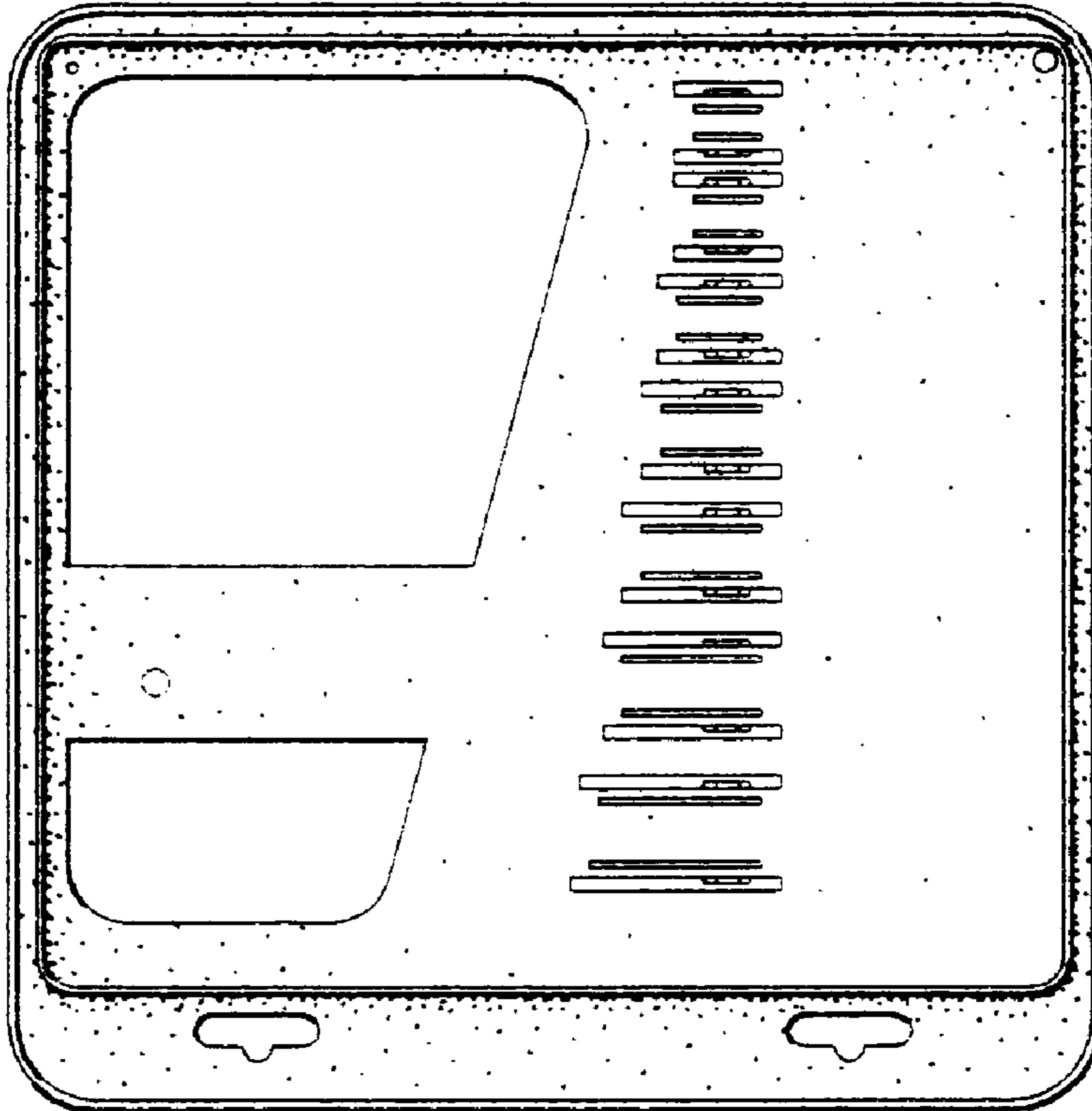


Fig 6