



US00D426147S

United States Patent [19] Nichols

[11] Patent Number: **Des. 426,147**

[45] Date of Patent: **** Jun. 6, 2000**

[54] **BEACH BLANKET STAKE**

[76] Inventor: **Charles W. Nichols**, 1 Merrimac St.,
No. 30, Newburyport, Mass. 01950

[**] Term: **14 Years**

[21] Appl. No.: **29/107,070**

[22] Filed: **Jun. 24, 1999**

[51] **LOC (7) Cl.** **08-08**

[52] **U.S. Cl.** **D8/391**

[58] **Field of Search** D8/391, 393, 388,
D8/1; 5/658, 417; 135/118, 119, 120.3;
52/155

[56] **References Cited**

U.S. PATENT DOCUMENTS

Re. 12,385	8/1905	Bruley	52/155
D. 270,133	8/1983	Craig	D8/388
D. 325,870	5/1992	Niles	D8/388
D. 378,980	4/1997	Thayer et al.	D8/1
D. 379,416	5/1997	Adams	D8/1
3,456,660	7/1969	Borchardt	135/118
4,286,496	9/1981	Harris	D8/391
5,176,354	1/1993	Feigenbaum, Jr.	135/118
5,226,829	7/1993	Jones	135/118
5,230,187	7/1993	Reimann	52/155
5,524,309	6/1996	La Barbera	5/658
5,564,232	10/1996	Callaway	5/417

Primary Examiner—Joel Sincavage
Assistant Examiner—Reid Hecker
Attorney, Agent, or Firm—William Nitkin

[57] **CLAIM**

The ornamental design for a beach blanket stake, as shown and described.

DESCRIPTION

FIG. 1 is a front elevational view of beach blanket stake showing my new design;

FIG. 2 is a right side elevational view thereof;

FIG. 3 is a left side elevational view thereof;

FIG. 4 is a rear elevational view thereof;

FIG. 5 is a bottom plan view thereof;

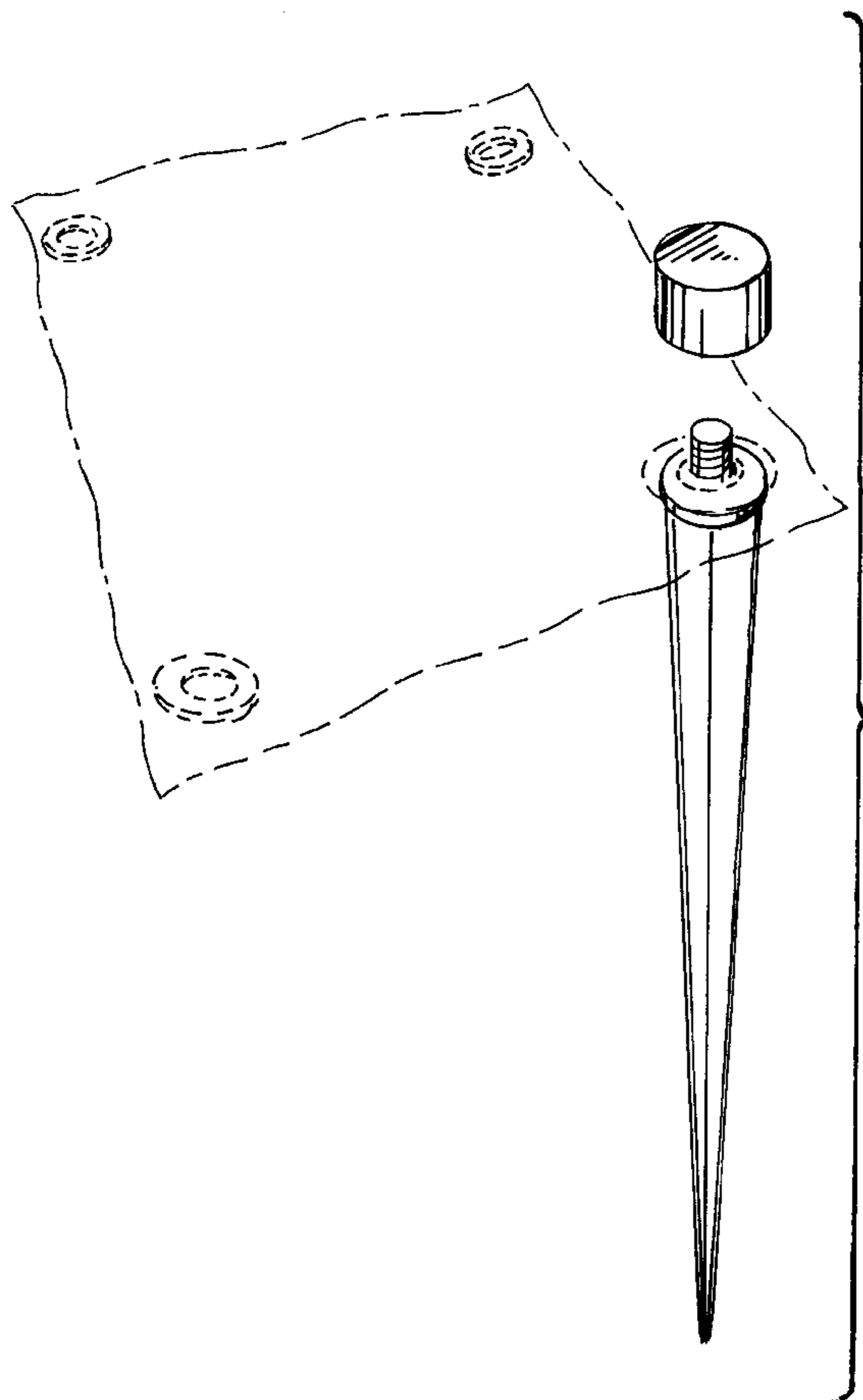
FIG. 6 is a top plan view thereof;

FIG. 7 is a front perspective view thereof, with cap unscrewed and with a portion of the stake passing through an aperture formed in a beach blanket which is shown in dashed lines; and,

FIG. 8 is a front perspective view thereof, showing the cap unscrewed and positioned above the lower portion of said stake.

The dashed line showing of the beach blanket in FIG. 7 is for illustrative purposes only and forms no part of the claimed design.

1 Claim, 2 Drawing Sheets



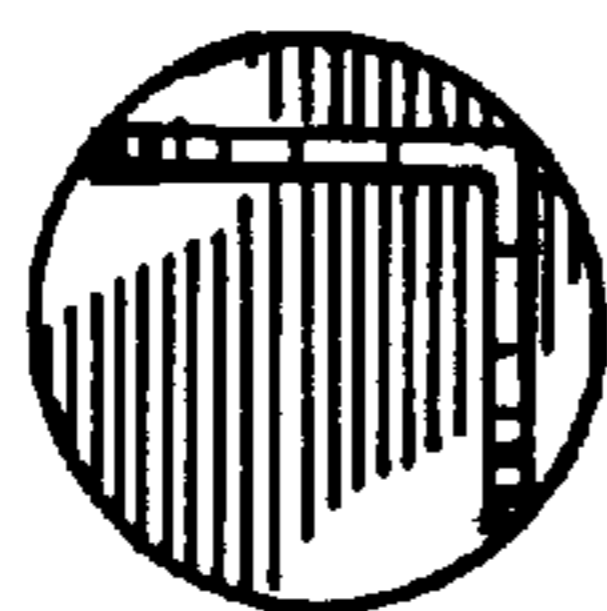
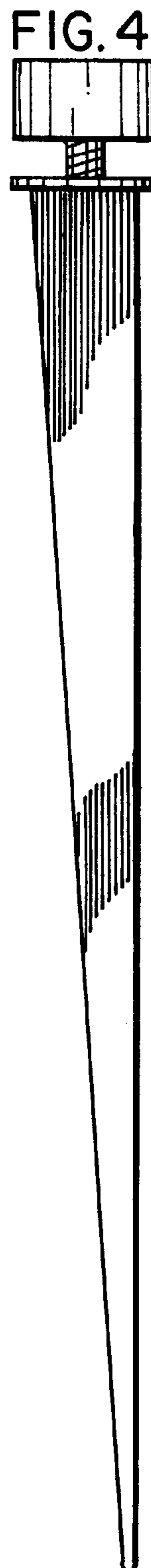
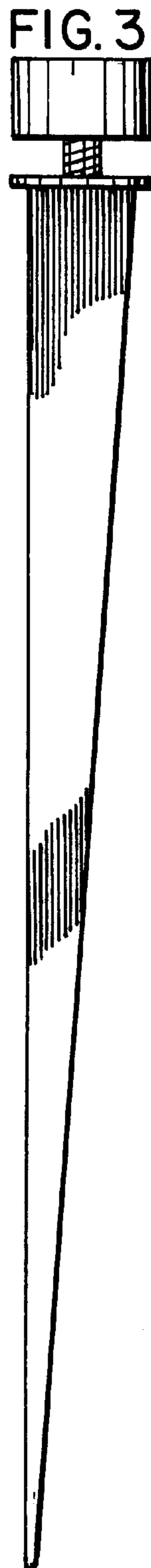
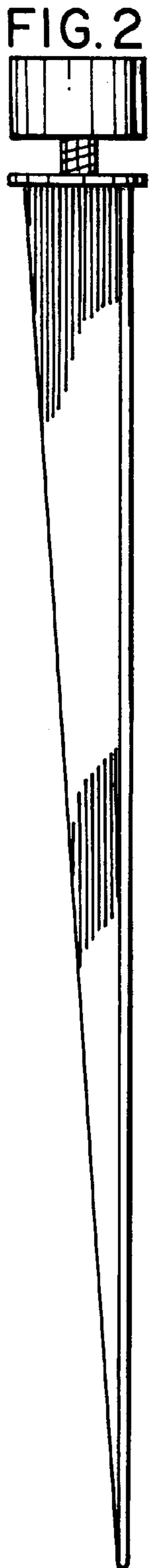


FIG. 5

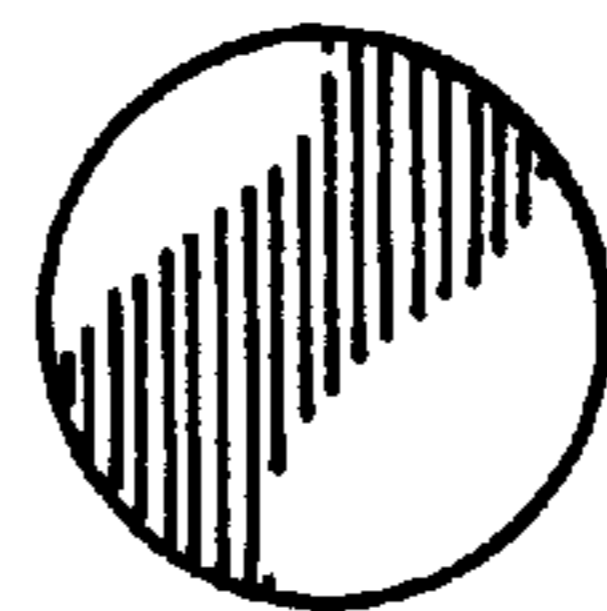


FIG. 6

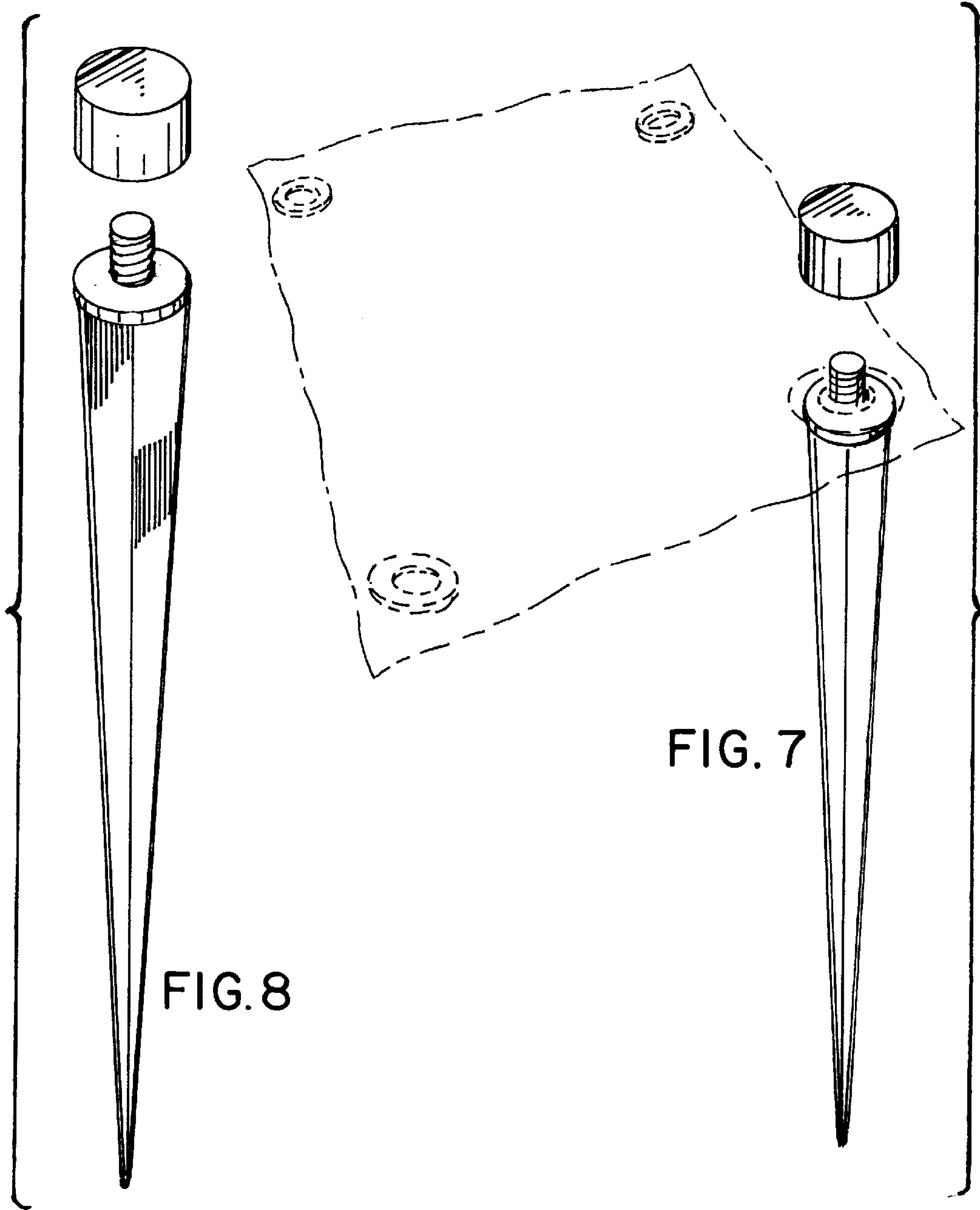


FIG. 8

FIG. 7