



US00D426146S

# United States Patent [19]

[11] Patent Number: Des. 426,146

Bruns et al.

[45] Date of Patent: \*\* Jun. 6, 2000

[54] **COMBINED BOLT AND PLASTIC CAP**

[57] **CLAIM**

[75] Inventors: **Mark W. Bruns**, Hutchinson; **Steven A. Bruns**, Hector, both of Minn.

The ornamental design of the combined bolt and plastic cap, as shown and described.

[73] Assignee: **Plastic Specialties, L.L.C.**, Hutchinson, Minn.

**DESCRIPTION**

[\*\*] Term: **14 Years**

[21] Appl. No.: **29/098,315**

[22] Filed: **Dec. 28, 1998**

[51] **LOC (7) Cl.** ..... **08-08**

[52] **U.S. Cl.** ..... **D8/387**

[58] **Field of Search** ..... D8/387, 386; 411/371.1, 411/188, 403, 402, 410, 911; 470/17

FIG. 1 is a perspective view of a combined bolt and plastic cap showing our new design;

FIG. 2 is a top plan view thereof, the bottom plan view being a mirror image thereof;

FIG. 3 is a side elevational view thereof; the opposite side being a mirror image thereof;

FIG. 4 is an end elevation view of the left end thereof;

FIG. 5 is an end elevational view of the right end thereof;

FIG. 6 is a perspective view of a modification of the combined bolt and plastic cap of FIG. 1;

FIG. 7 is a top plan view of FIG. 6, the bottom plan view being a mirror image thereof;

FIG. 8 is a side elevational view of FIG. 6, the opposite side being a mirror image thereof;

FIG. 9 is an end elevational view of the left end of FIG. 6; and,

FIG. 10 is an end elevational view of the right end of FIG. 6.

[56] **References Cited**

**U.S. PATENT DOCUMENTS**

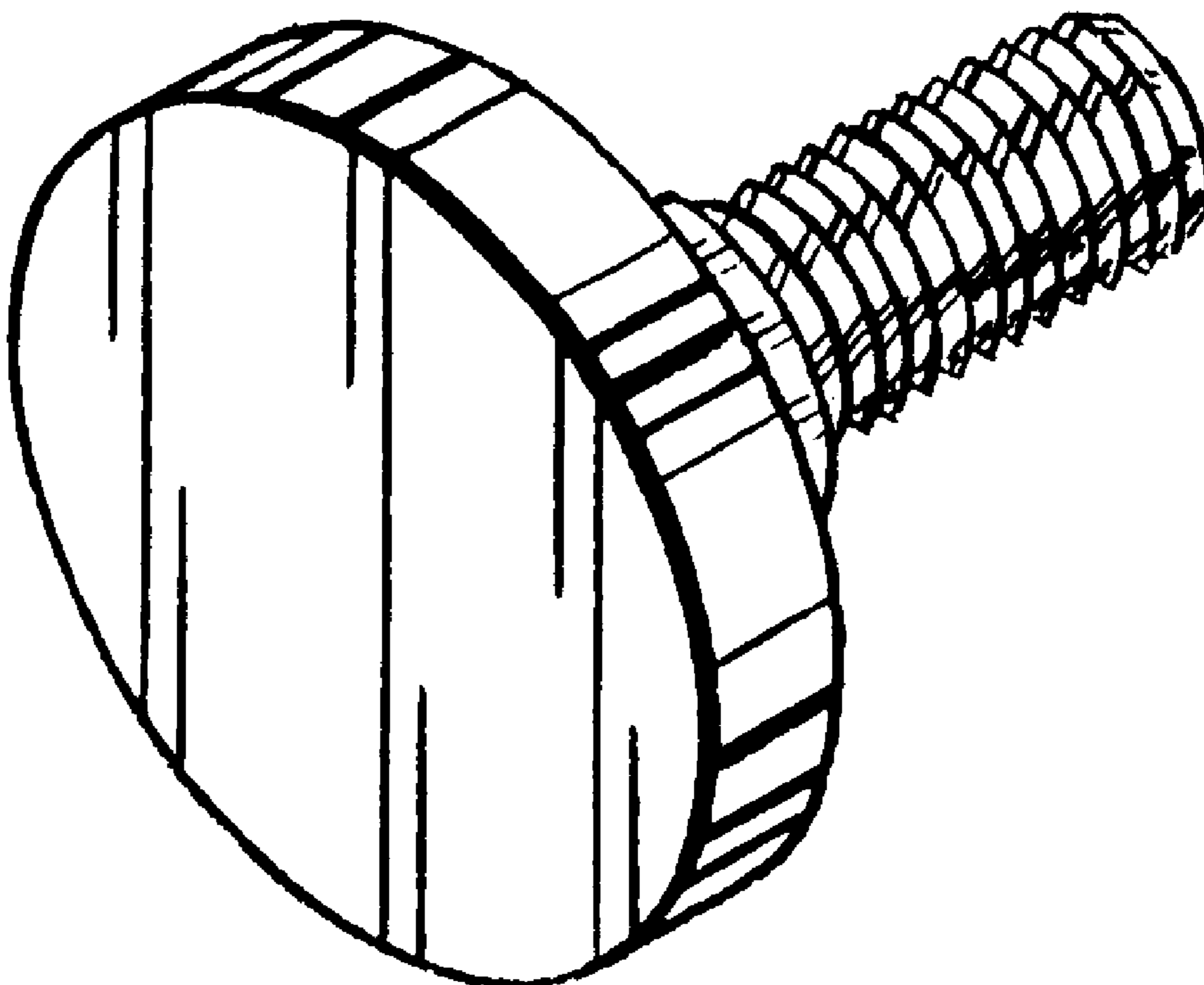
D. 341,127	11/1993	Sachs	.....	D8/381 X
3,579,684	5/1971	Duffy	.	
3,592,100	7/1971	Mackiewicz et al.	.	
3,858,262	1/1975	Duffy	.	
4,452,556	6/1984	Nelson et al.	.	
4,813,833	3/1989	Haab	.	
4,887,951	12/1989	Hashimoto	.	

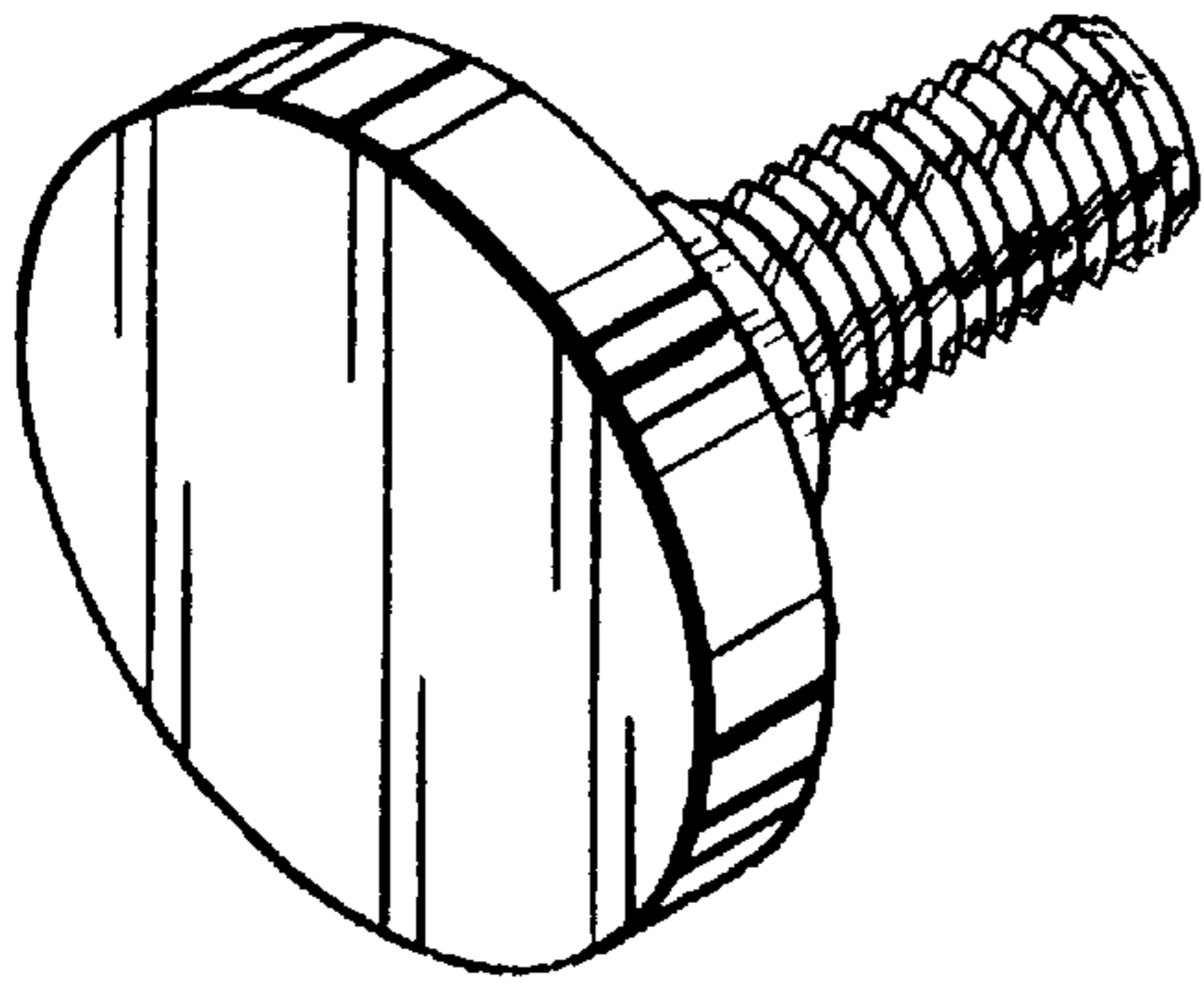
**OTHER PUBLICATIONS**

Great Lakes Screw Corporation, p. 343. fastener loated at top of first column, Mar. 1963.

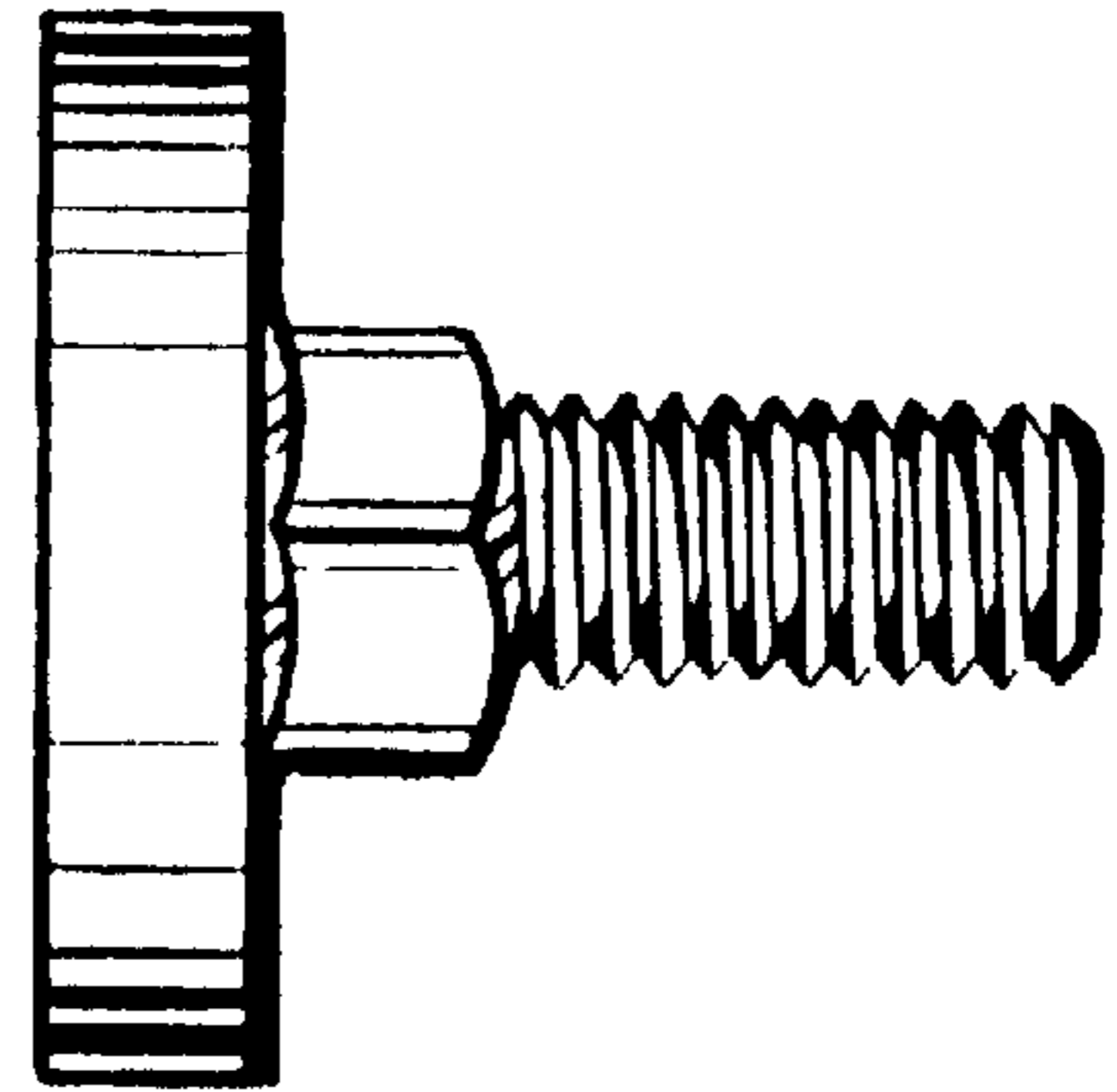
Primary Examiner—Holly Baynham

1 Claim, 2 Drawing Sheets

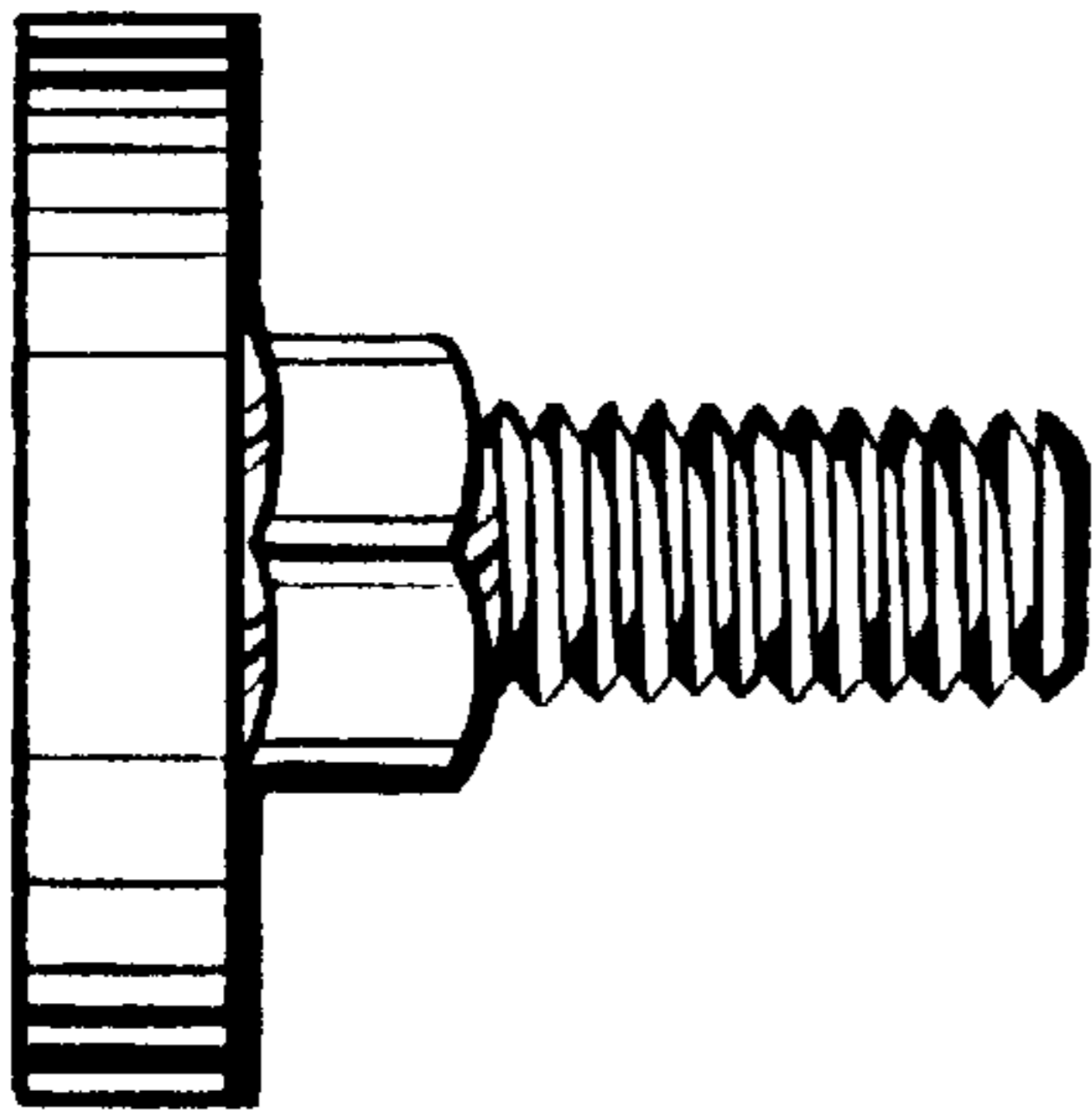




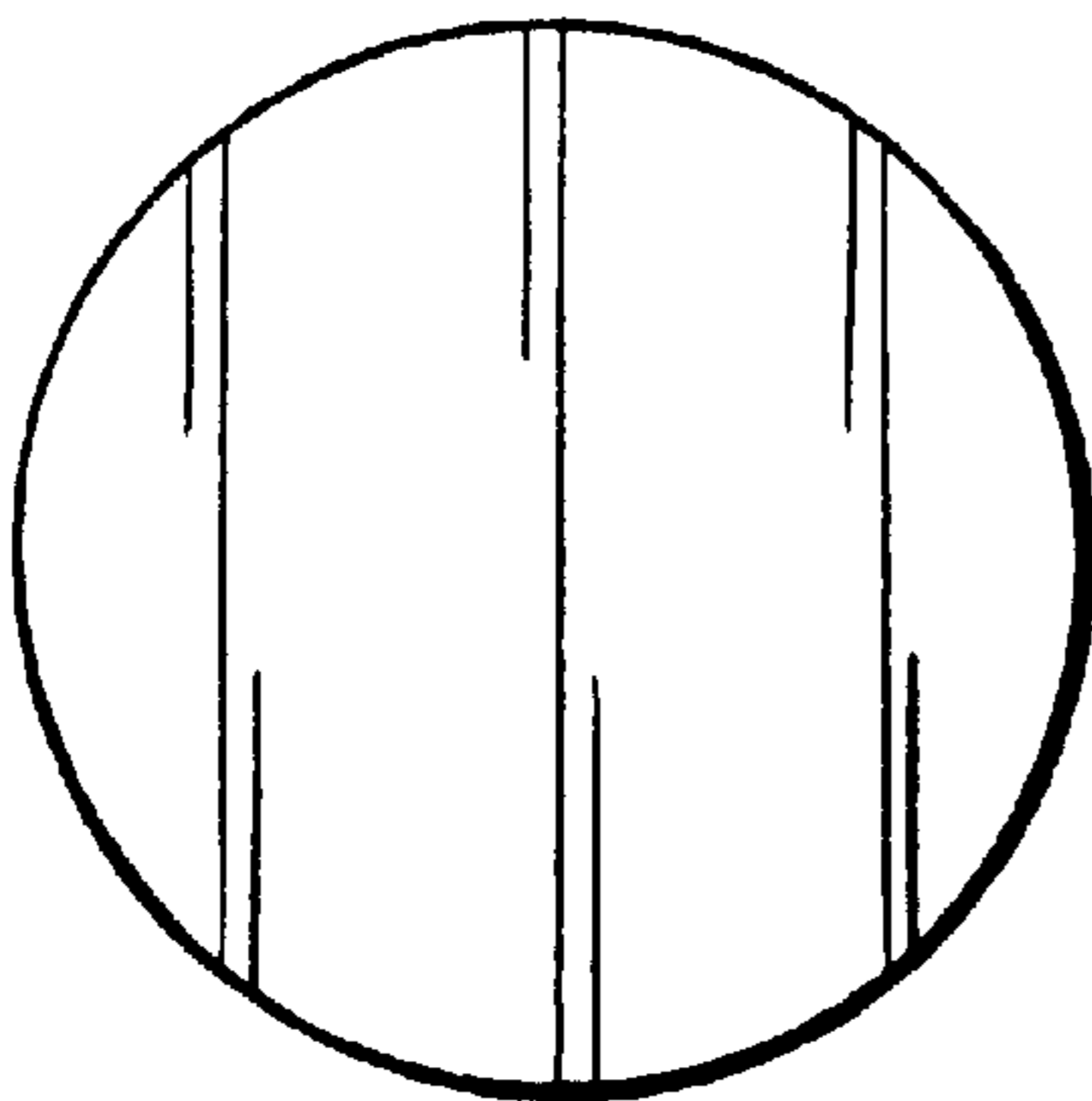
**FIG. 1**



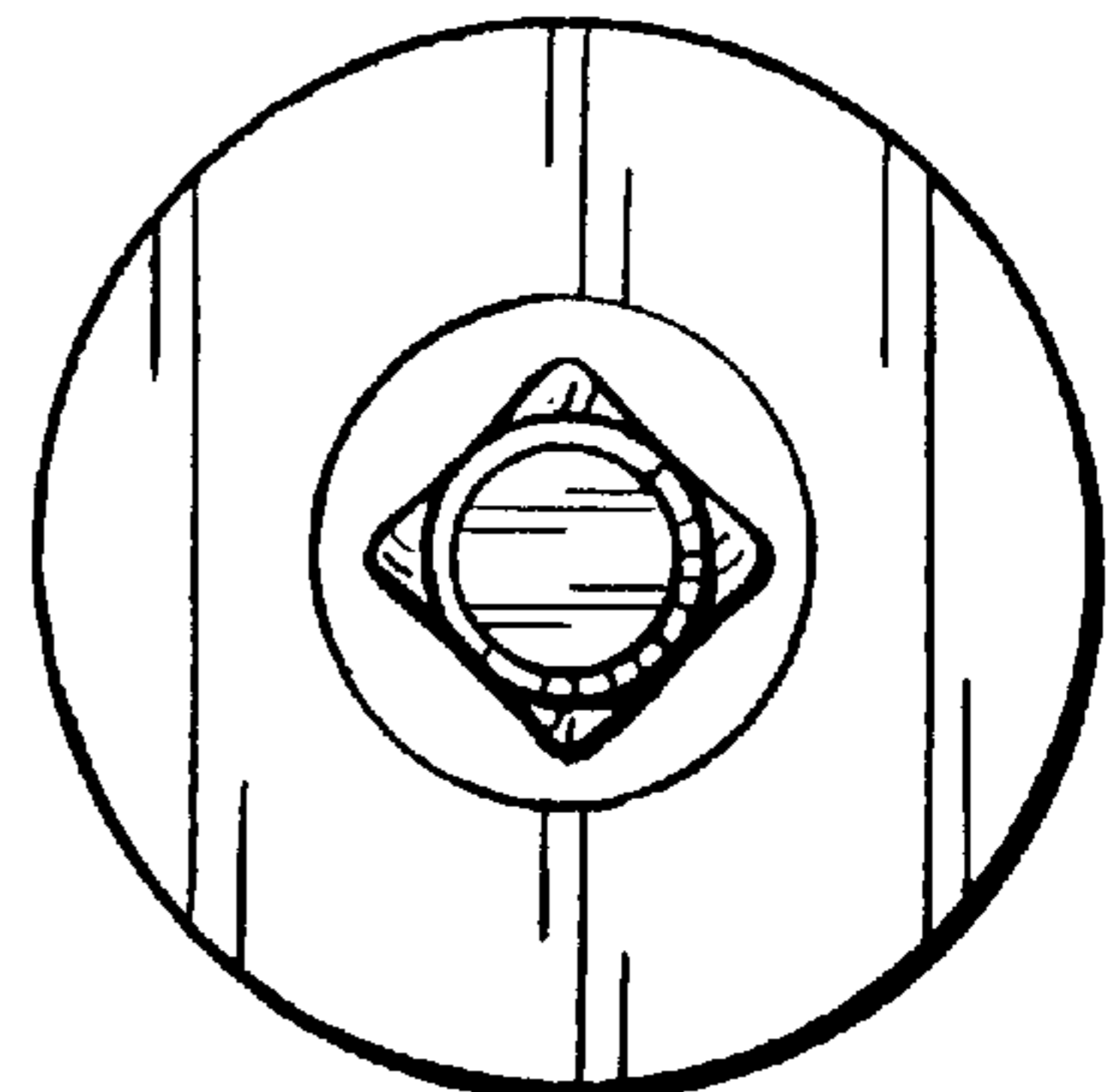
**FIG. 3**



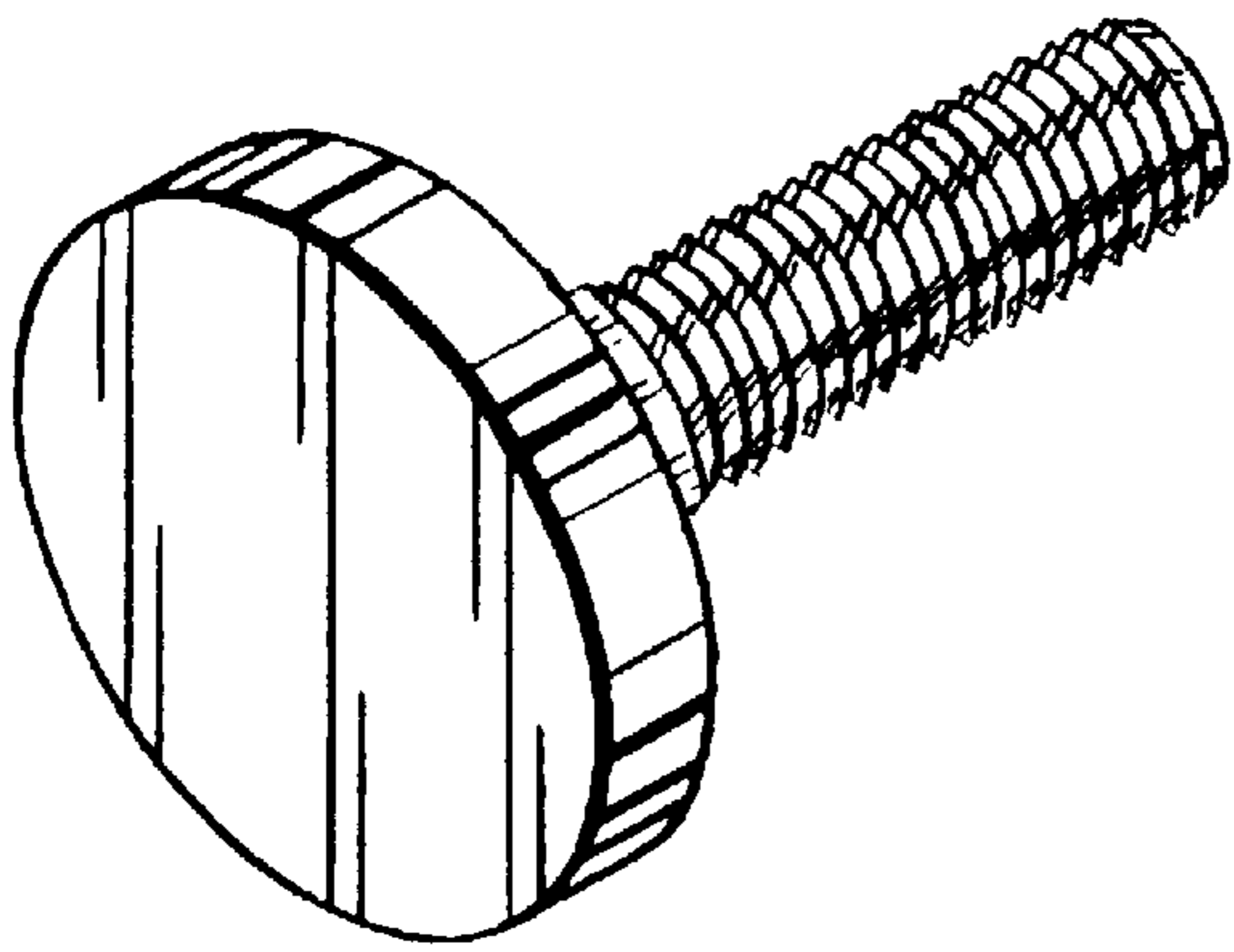
**FIG. 2**



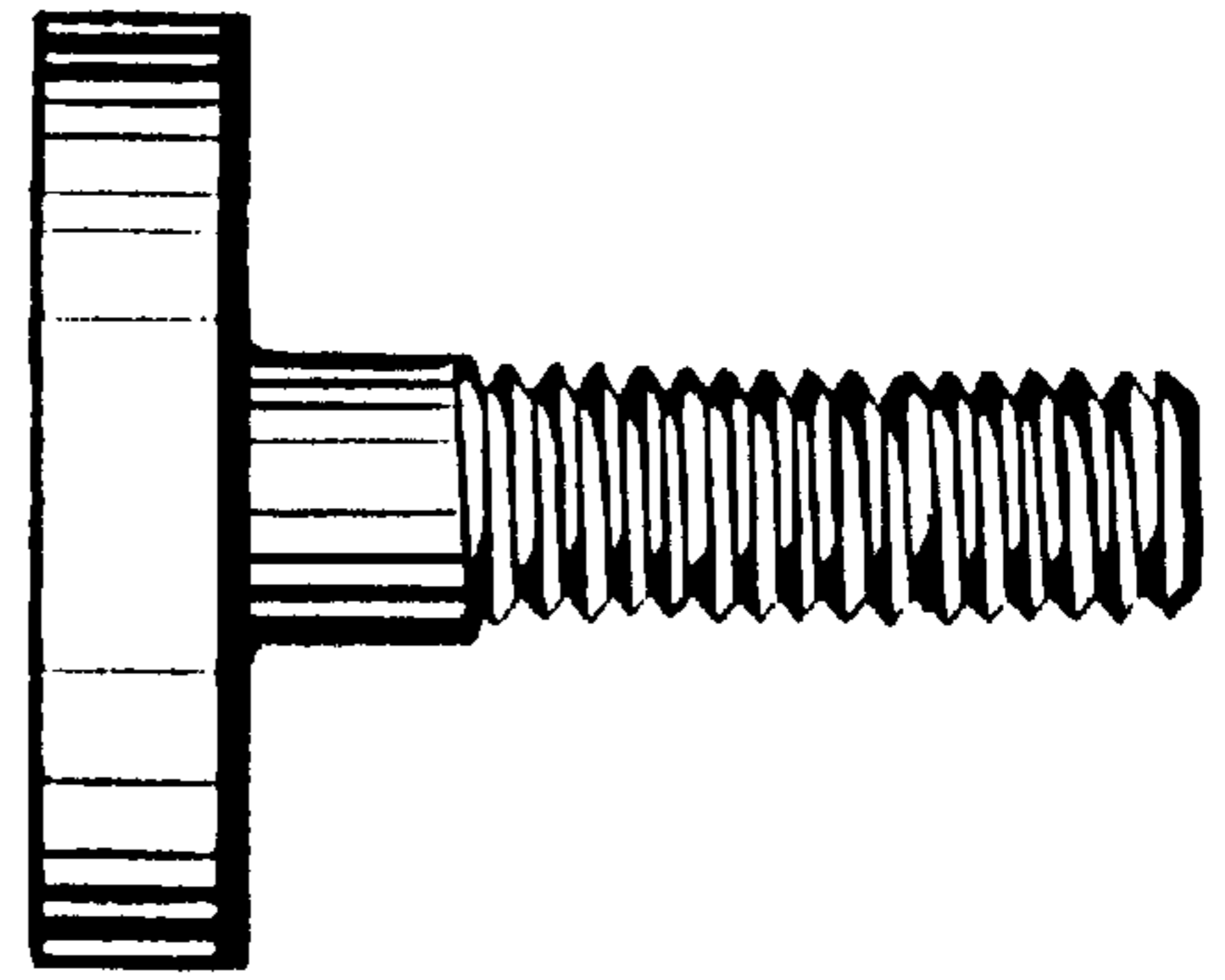
**FIG. 4**



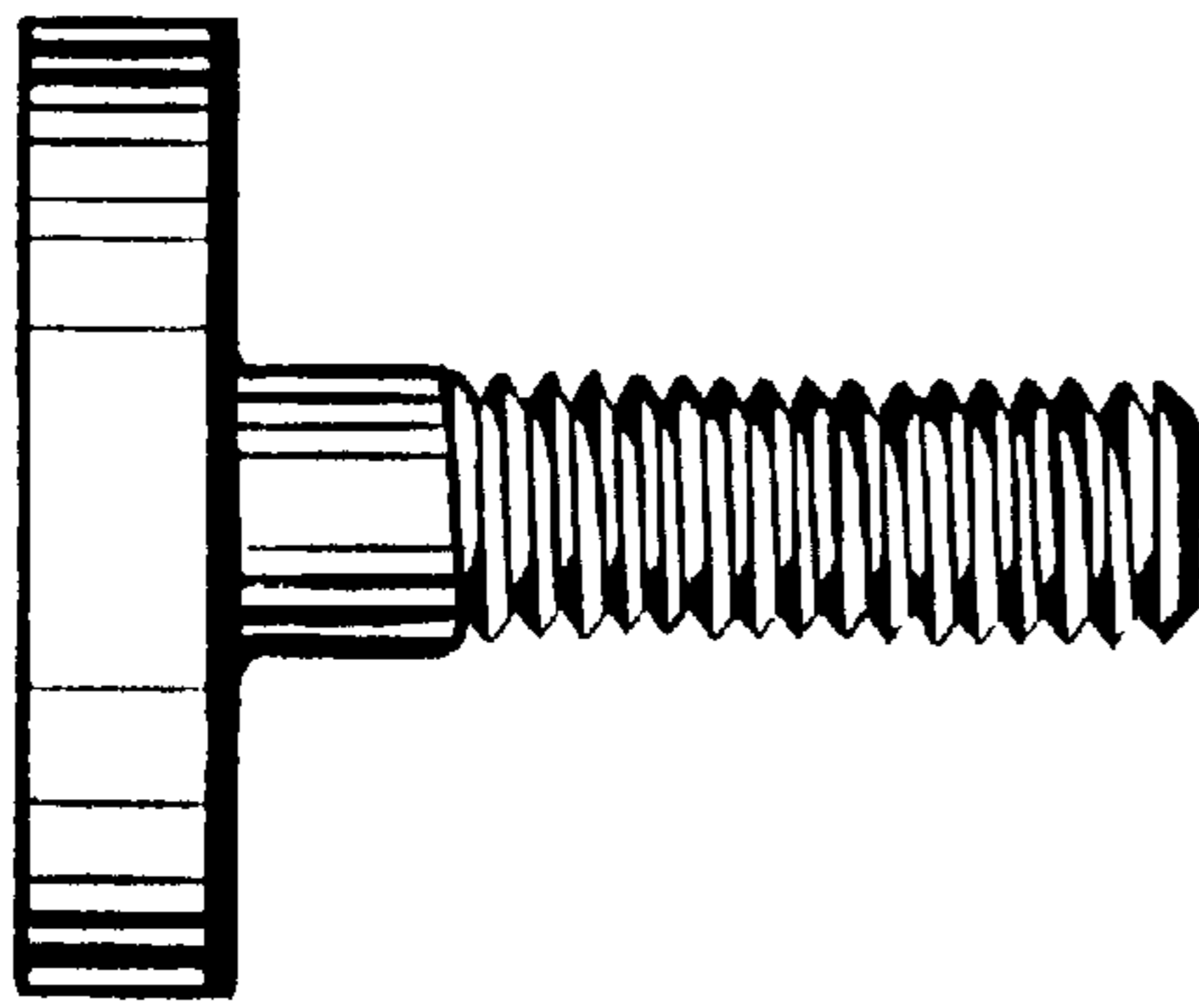
**FIG. 5**



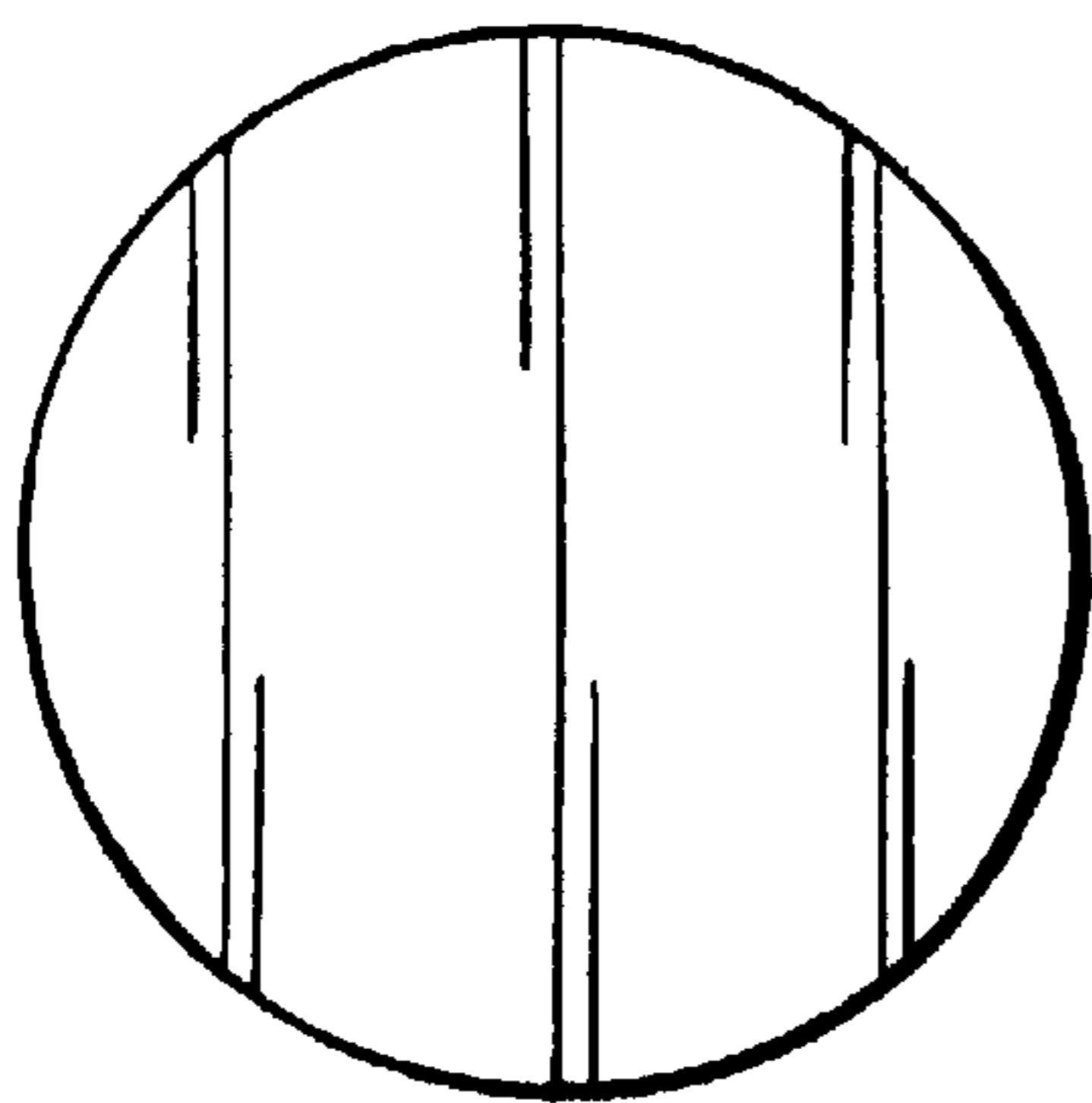
**FIG. 6**



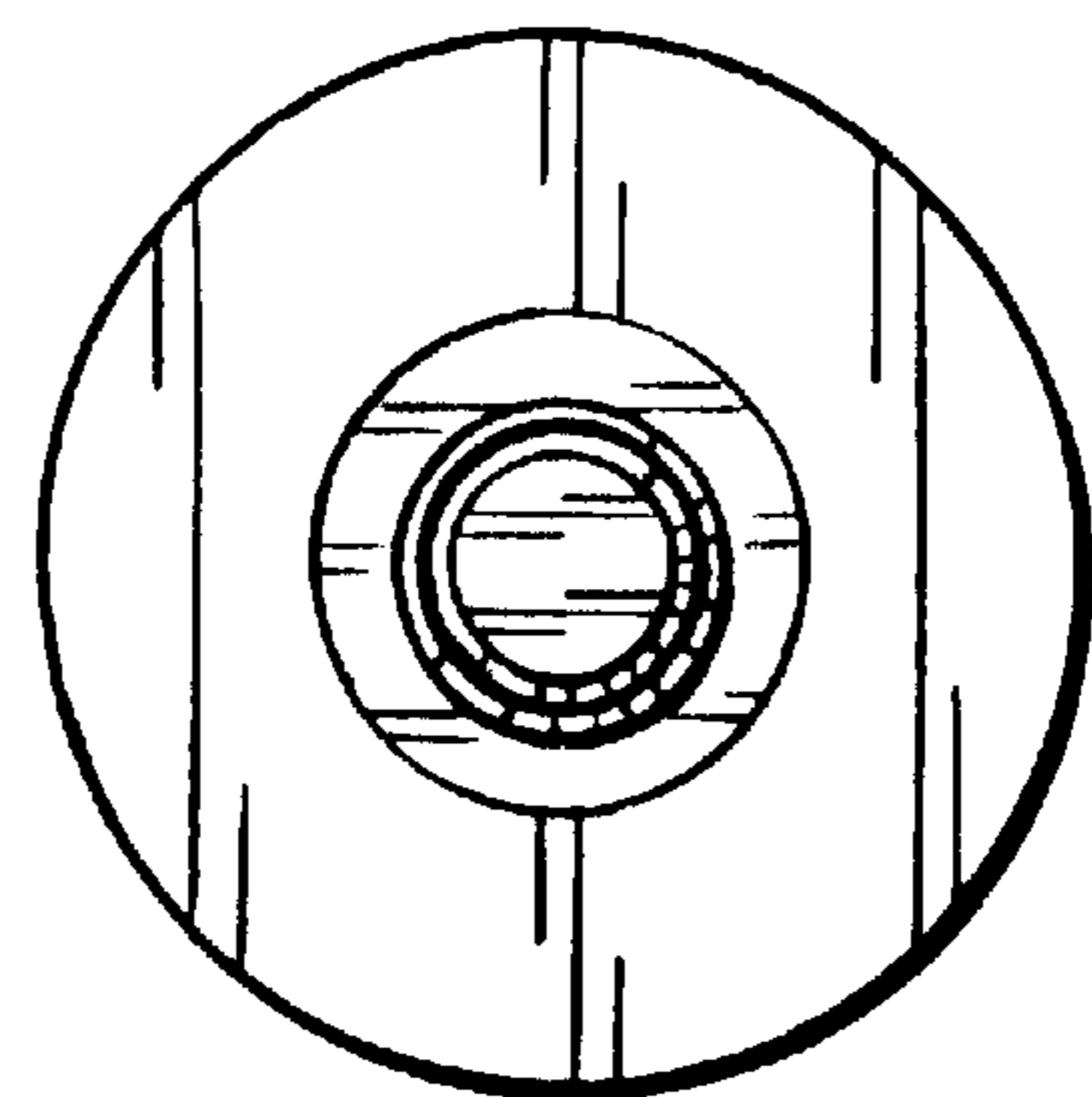
**FIG. 8**



**FIG. 7**



**FIG. 9**



**FIG. 10**