



US00D426143S

United States Patent [19]
Sato et al.

[11] **Patent Number: Des. 426,143**
[45] **Date of Patent: ** Jun. 6, 2000**

[54] **FLEXIBLE JOINT**

[75] Inventors: **Taichi Sato**, Nagaokakyo; **Yasushi Fujita**, Hyogo-ken, both of Japan

[73] Assignee: **Waterworks Technology Development Organization Co., Ltd.**

[**] Term: **14 Years**

[21] Appl. No.: **29/111,713**

[22] Filed: **Oct. 1, 1999**

[51] **LOC (7) Cl.** **08-08**

[52] **U.S. Cl.** **D8/382; D23/262**

[58] **Field of Search** D8/382; 403/169-170, 403/173-174, 205, 312, 177-178, 300, 305-306; D23/262; 285/165-166

[56] **References Cited**

U.S. PATENT DOCUMENTS

D. 291,482	8/1987	Vassallo et al.	D23/262
D. 392,372	3/1998	Saito et al.	D23/264
3,476,413	11/1969	Coberly et al.	403/300
4,756,639	7/1988	Hoshino	403/297

4,906,122	3/1990	Barrett et al.	403/305
5,052,849	10/1991	Zwart	403/300
5,375,939	12/1994	Brown et al.	403/300

FOREIGN PATENT DOCUMENTS

938464 11/1995 Japan .

Primary Examiner—Holly Baynham
Attorney, Agent, or Firm—Knobbe, Marten, Olson & Bear, LLP

[57] **CLAIM**

The ornamental design for a flexible joint, as shown and described.

DESCRIPTION

FIG. 1 is a front view of a flexible joint.
FIG. 2 is a rear view of the flexible joint.
FIG. 3 is a top plan view of the flexible joint.
FIG. 4 is a bottom plan view of the flexible joint.
FIG. 5 is a left side view of the flexible joint.
FIG. 6 is a right side view of the flexible joint; and,
FIG. 7 is a perspective view of the flexible joint.

1 Claim, 3 Drawing Sheets

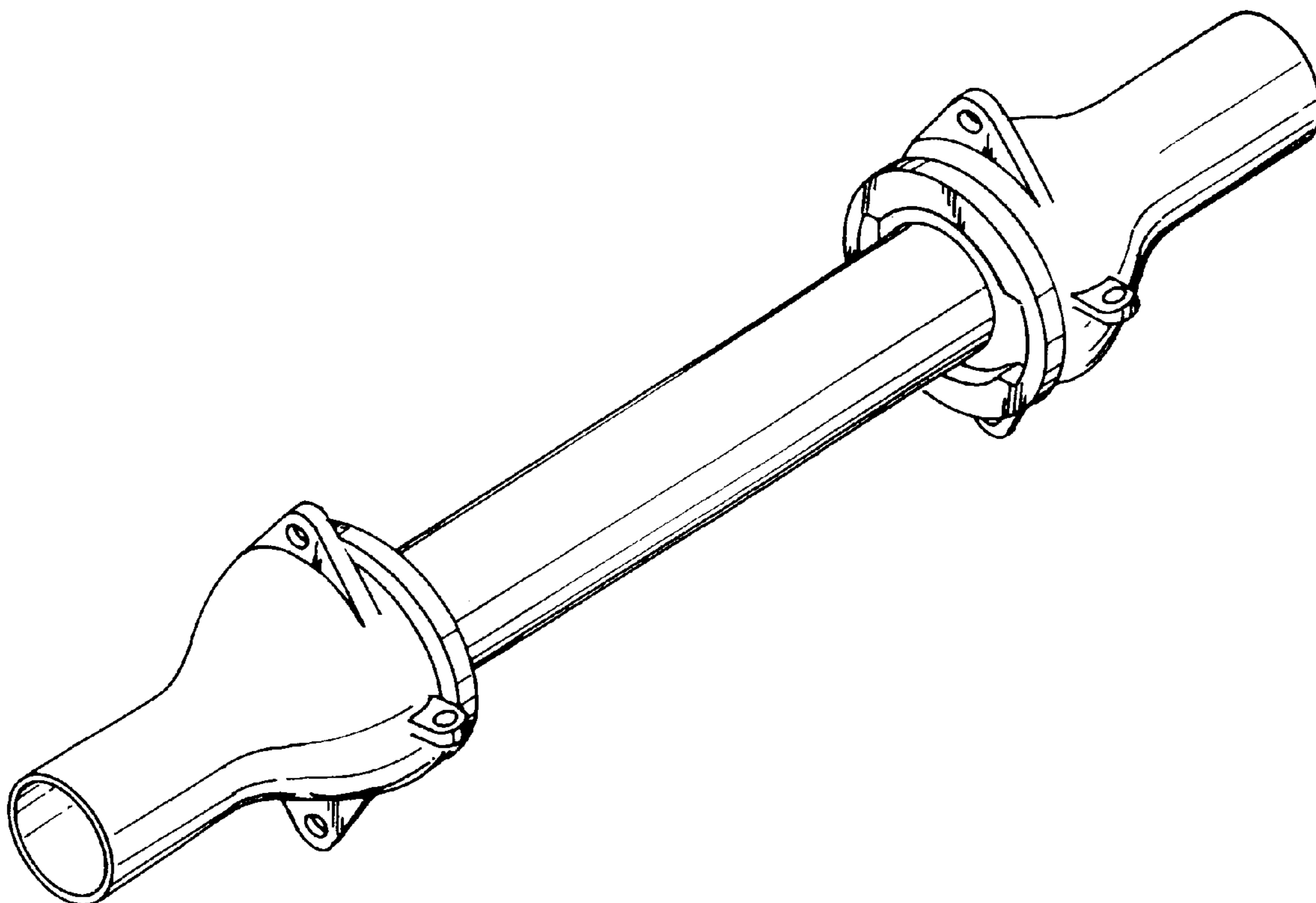


FIG.1

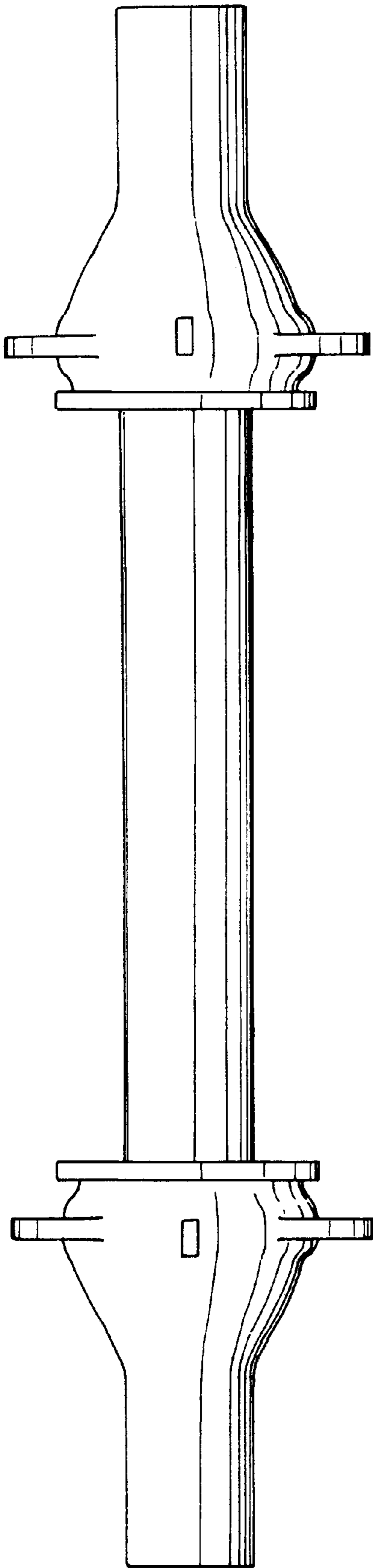


FIG.2

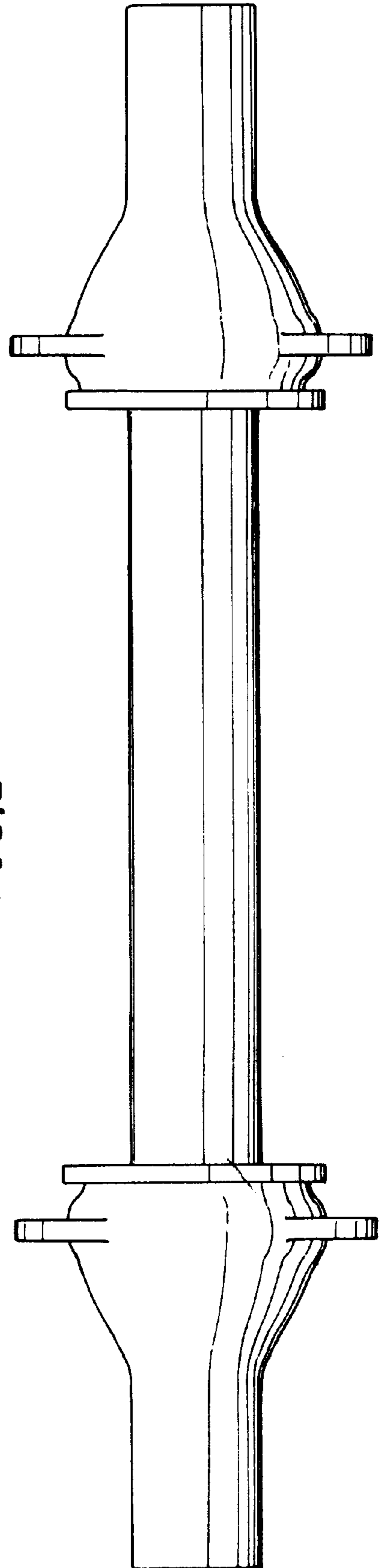


FIG.3

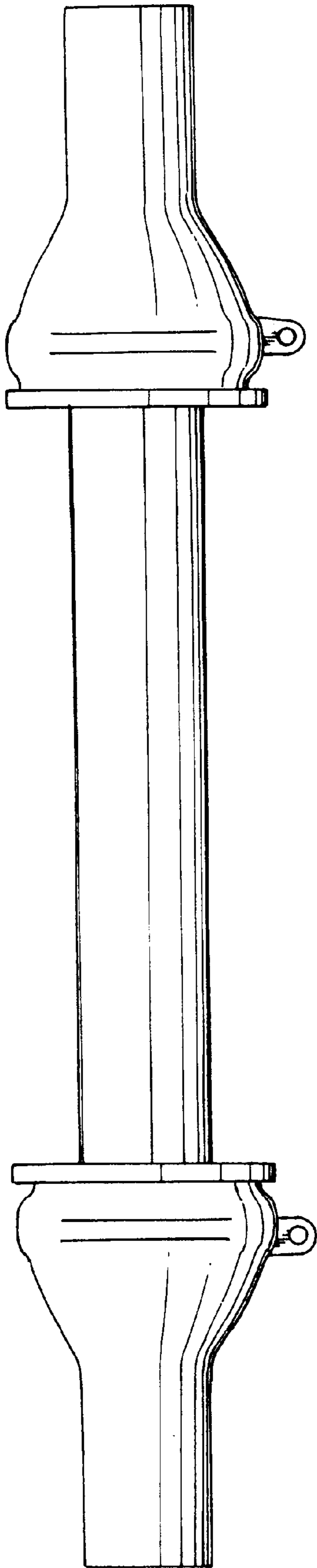
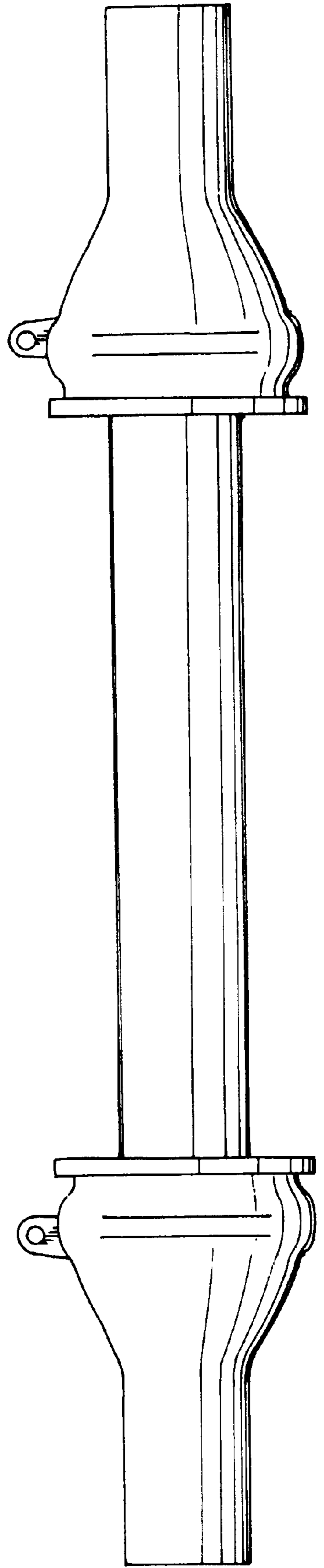


FIG.4



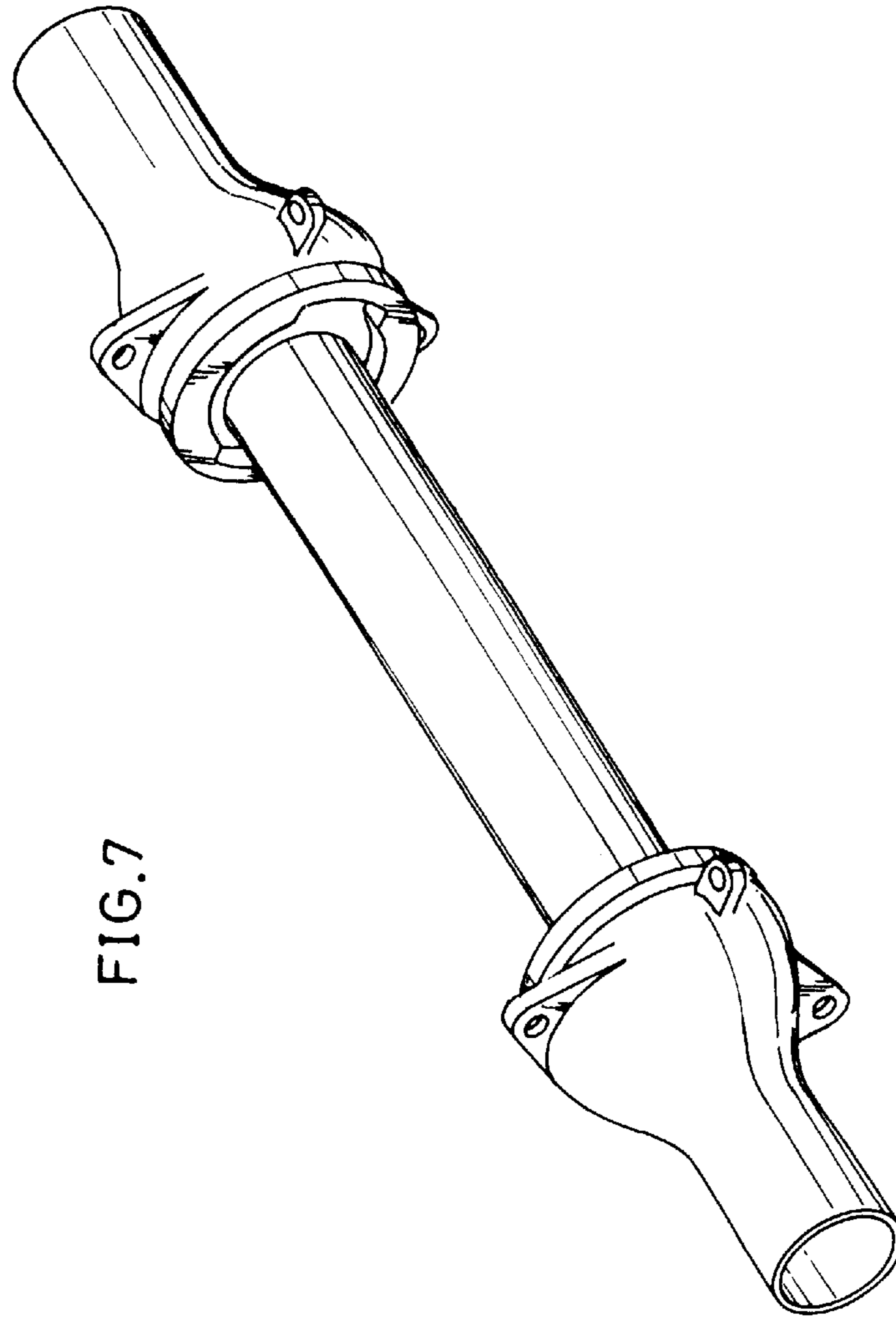


FIG. 7

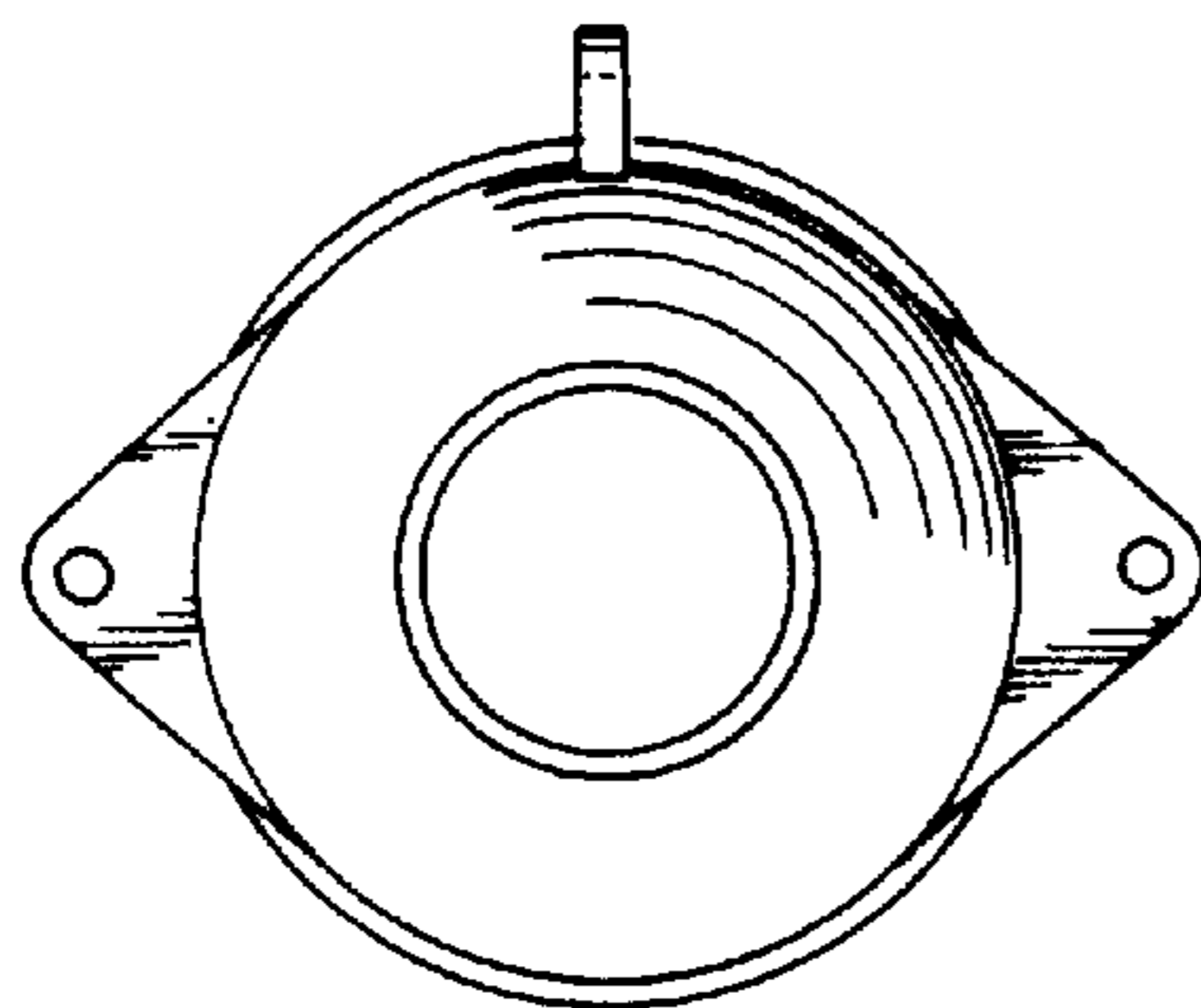


FIG. 5

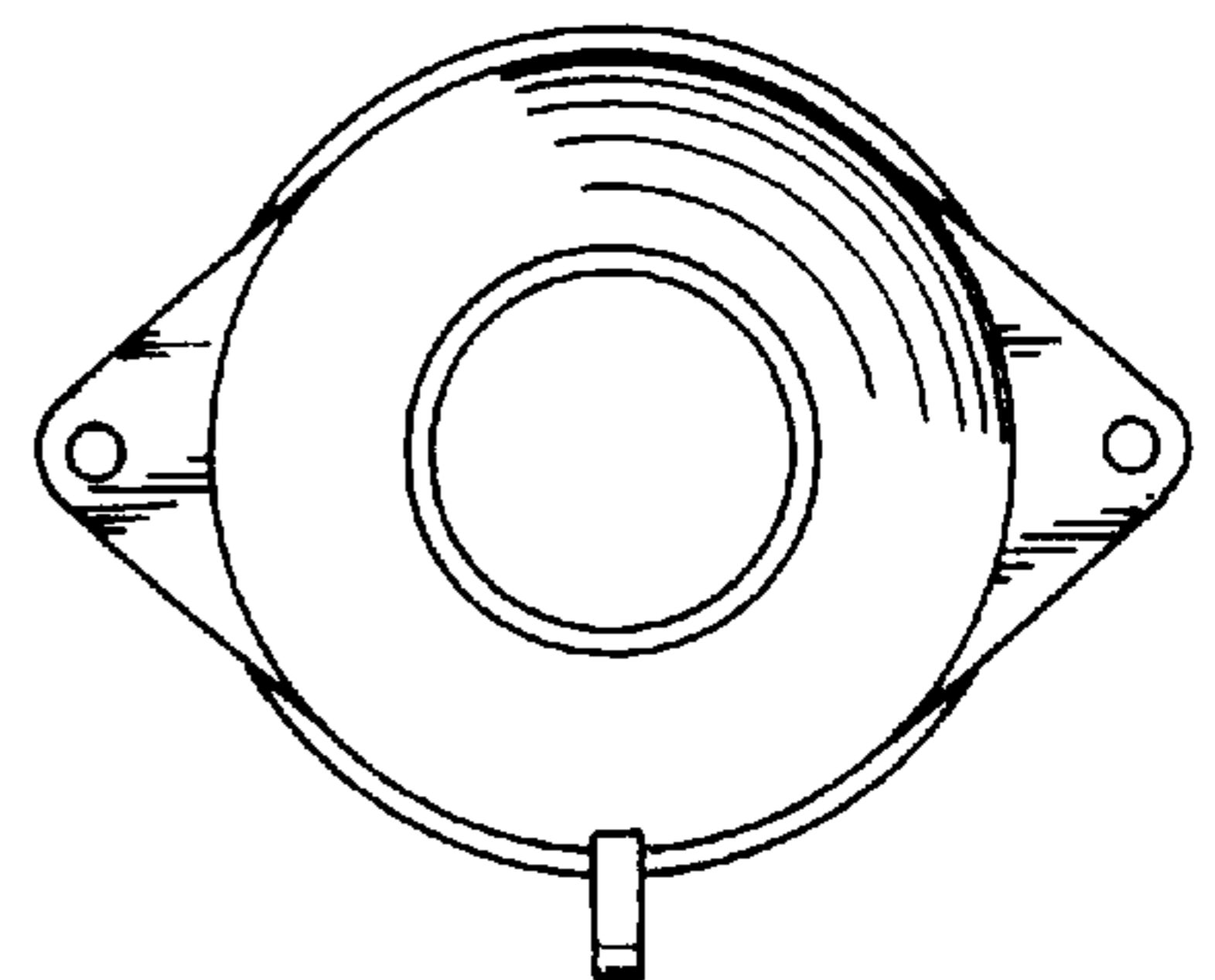


FIG. 6