



US00D426142S

United States Patent [19]
Moore

[11] **Patent Number: Des. 426,142**

[45] **Date of Patent: ** Jun. 6, 2000**

[54] **WALL MOUNT**

D. 393,390 4/1998 Gottwald D8/363

[76] Inventor: **Sean Moore**, 3139 W. Holcombe Blvd.
#635, Houston, Tex. 77025

Primary Examiner—Holly Baynham
Attorney, Agent, or Firm—Gunn & Associates, P.C.

[**] Term: **14 Years**

[57] **CLAIM**

[21] Appl. No.: **29/100,470**

The ornamental design for a wall mount, as shown.

[22] Filed: **Feb. 11, 1999**

DESCRIPTION

[51] **LOC (7) Cl.** **08-05**

FIG. 1 is a perspective view of a wall mount showing my new design;

[52] **U.S. Cl.** **D8/363**

FIG. 2 is a front elevation view thereof;

[58] **Field of Search** D8/363, 354; 248/261–262,
248/309.1; 160/349.1

FIG. 3 is a side elevation view thereof;

FIG. 4 is a top view thereof; and,

FIG. 5 is a bottom view thereof.

[56] **References Cited**

U.S. PATENT DOCUMENTS

D. 374,167 10/1996 Scholl D8/363

1 Claim, 2 Drawing Sheets

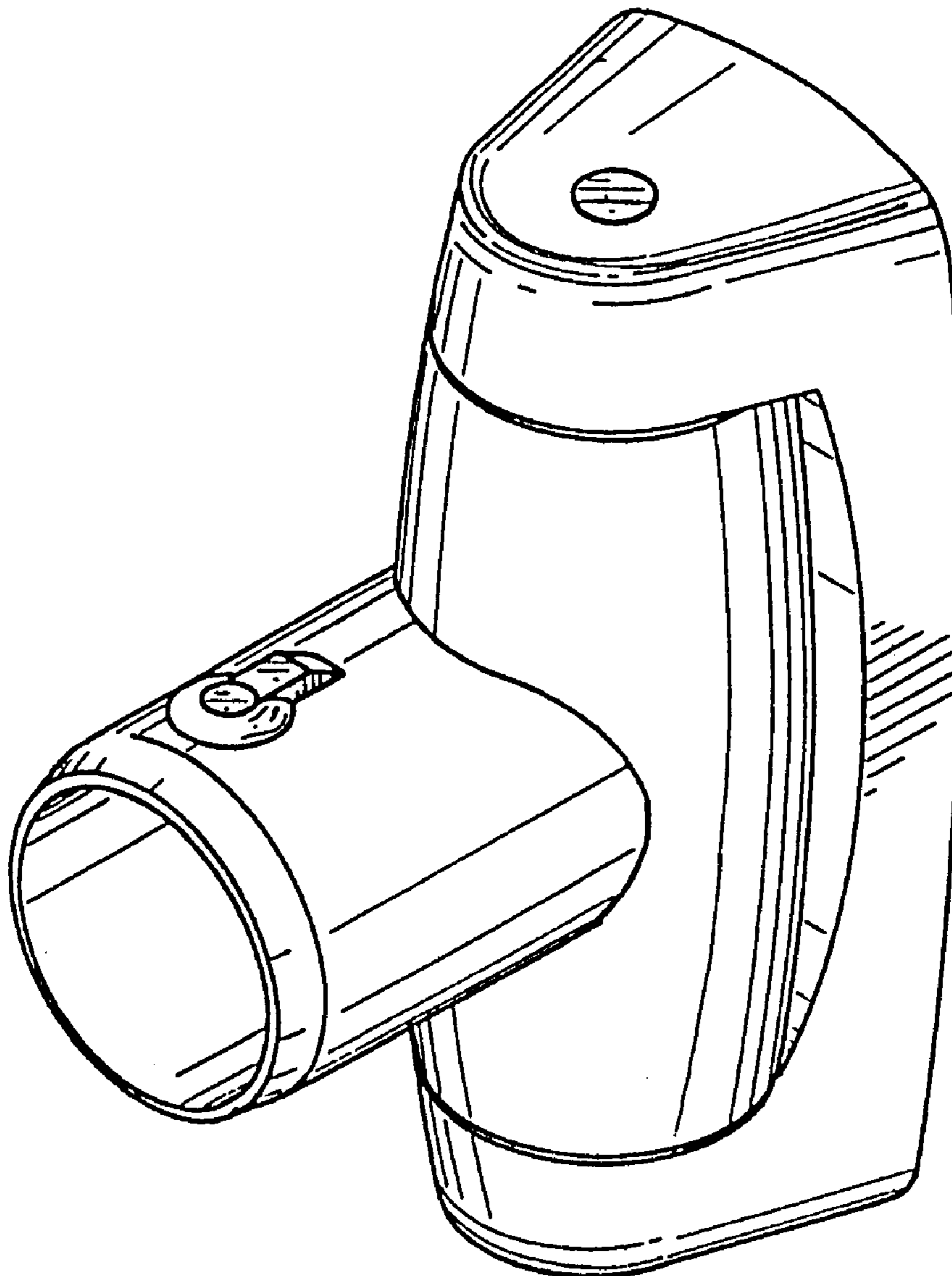


FIG. 1

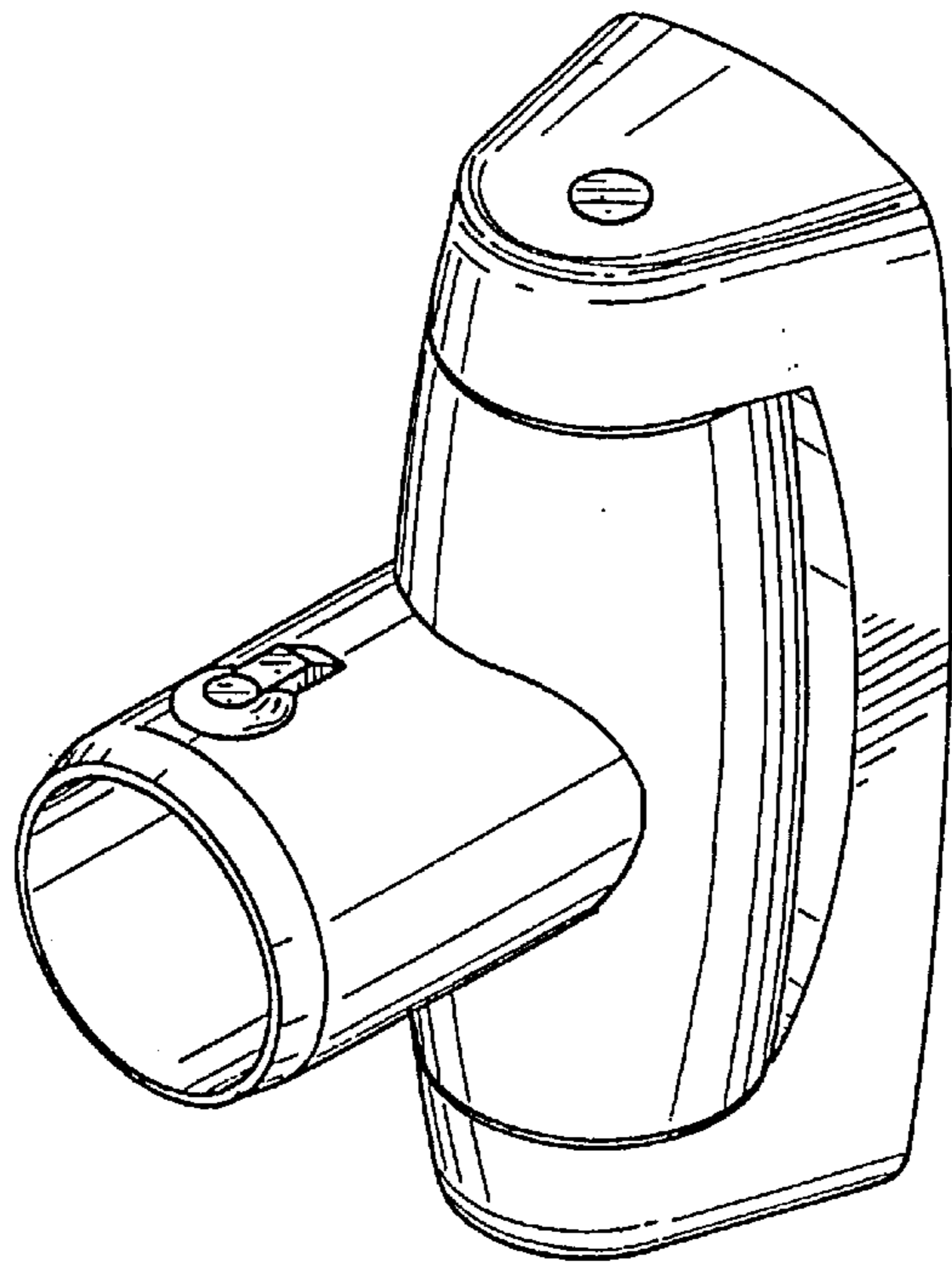


FIG. 2

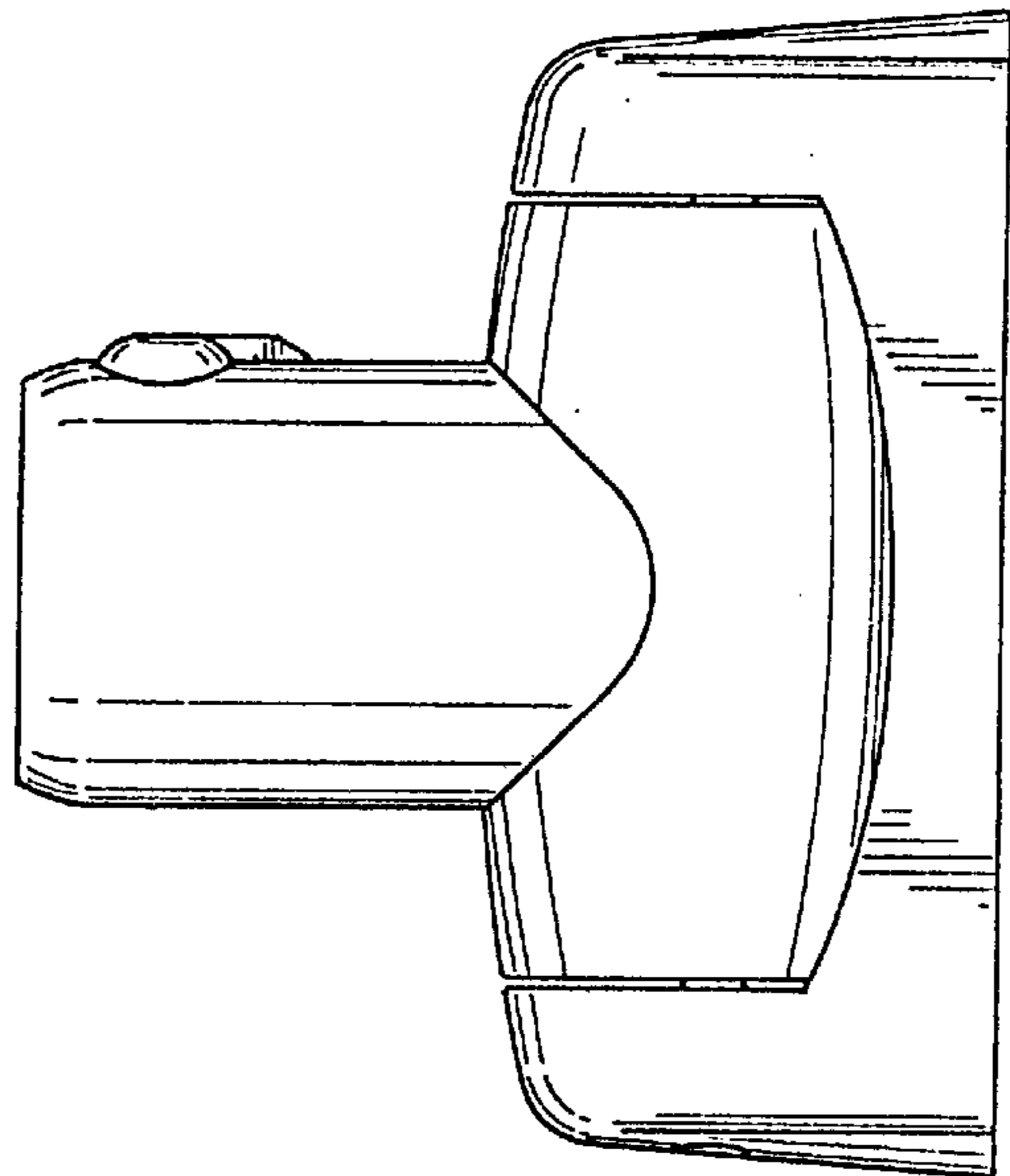
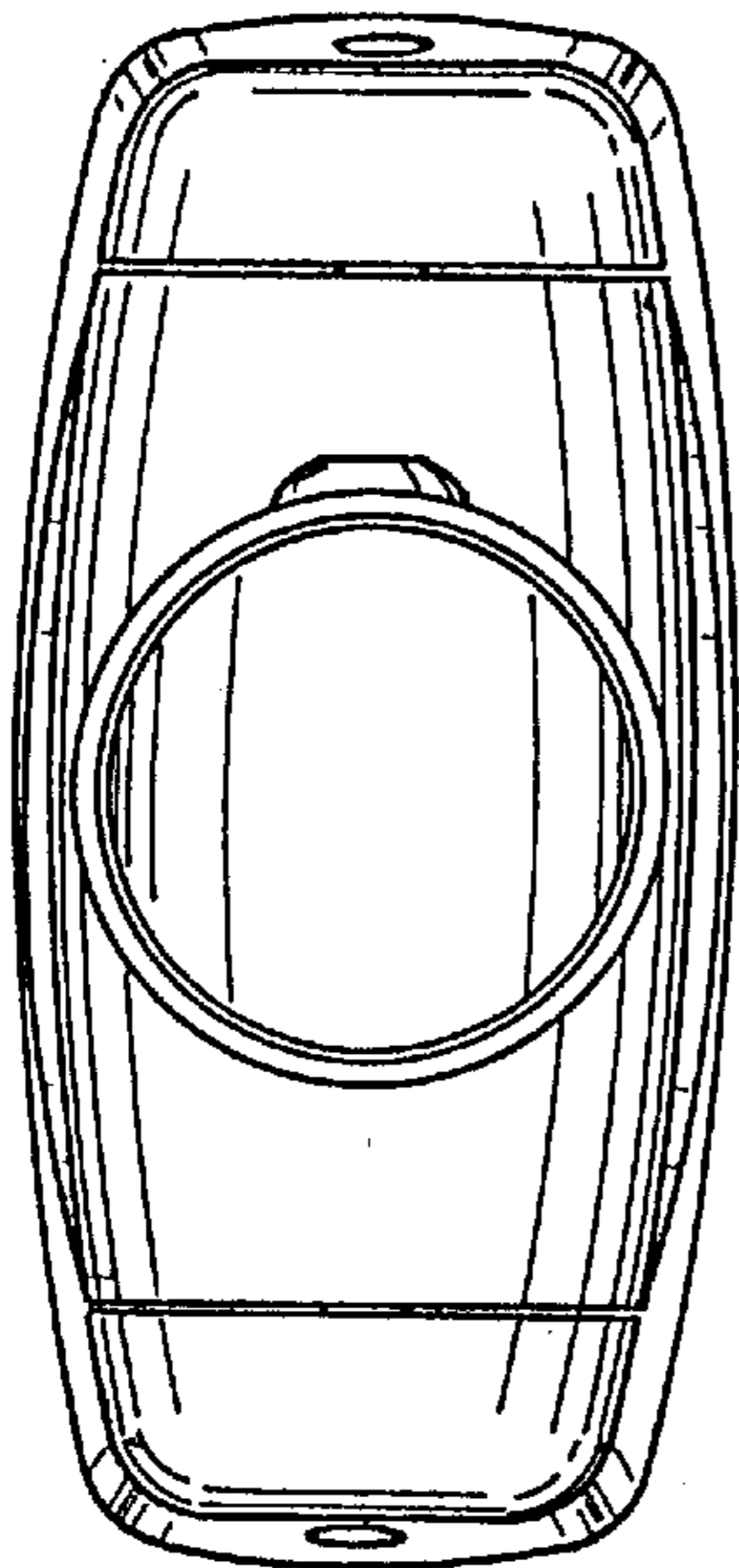


FIG. 3

FIG. 4

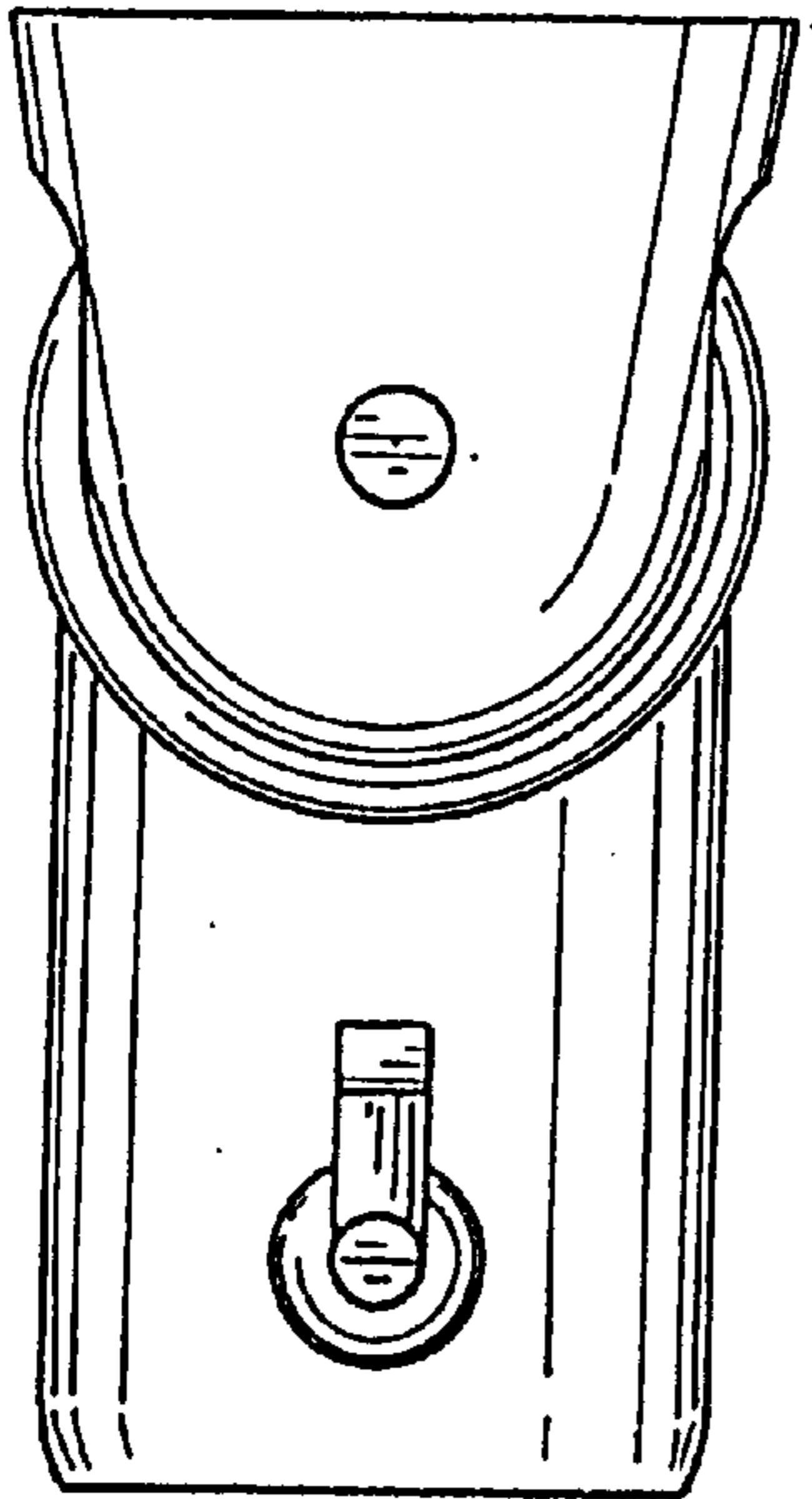


FIG. 5

