



US00D426139S

**United States Patent** [19]  
**Christoffel et al.**

[11] **Patent Number: Des. 426,139**  
[45] **Date of Patent: \*\* Jun. 6, 2000**

[54] **SAFETY LOCK FOR A KNIFE STORAGE BLOCK**

5,245,756 9/1993 Howell et al. .... 30/298.4

[75] Inventors: **Glen N. Christoffel**, Jamesville; **Peter F. Lynch**, Skaneateles; **Walter A. Gardiner**, Waccabuc, all of N.Y.

*Primary Examiner*—Susan J. Lucas  
*Assistant Examiner*—Jennifer Rivard  
*Attorney, Agent, or Firm*—SAIDMAN DesignLaw Group

[73] Assignee: **Imperial Schrade Corp.**, Ellenville, N.Y.

[57] **CLAIM**

[\*\*] Term: **14 Years**

We claim the ornamental design for a safety lock for a knife storage block, as shown and described.

[21] Appl. No.: **29/078,564**

**DESCRIPTION**

[22] Filed: **Oct. 29, 1997**

FIG. 1 is a right side view in elevation of a safety lock for a knife storage block showing our new design, the left side view being a mirror image thereof;

[51] **LOC (7) Cl.** ..... **08-07**

[52] **U.S. Cl.** ..... **D8/339**

[58] **Field of Search** ..... D8/330-331, 339, D8/344; 30/298.4, 151; D7/637, 638

FIG. 2 is a front perspective view thereof showing the design in its locked position; and,

FIG. 3 is a front view in elevation thereof showing the design in its unlocked position.

[56] **References Cited**

The broken line showings in FIGS. 1 and 2 are environmental only and form no part of the claimed design.

**U.S. PATENT DOCUMENTS**

4,866,845 9/1989 McEvily ..... 30/298.4 X

**1 Claim, 3 Drawing Sheets**

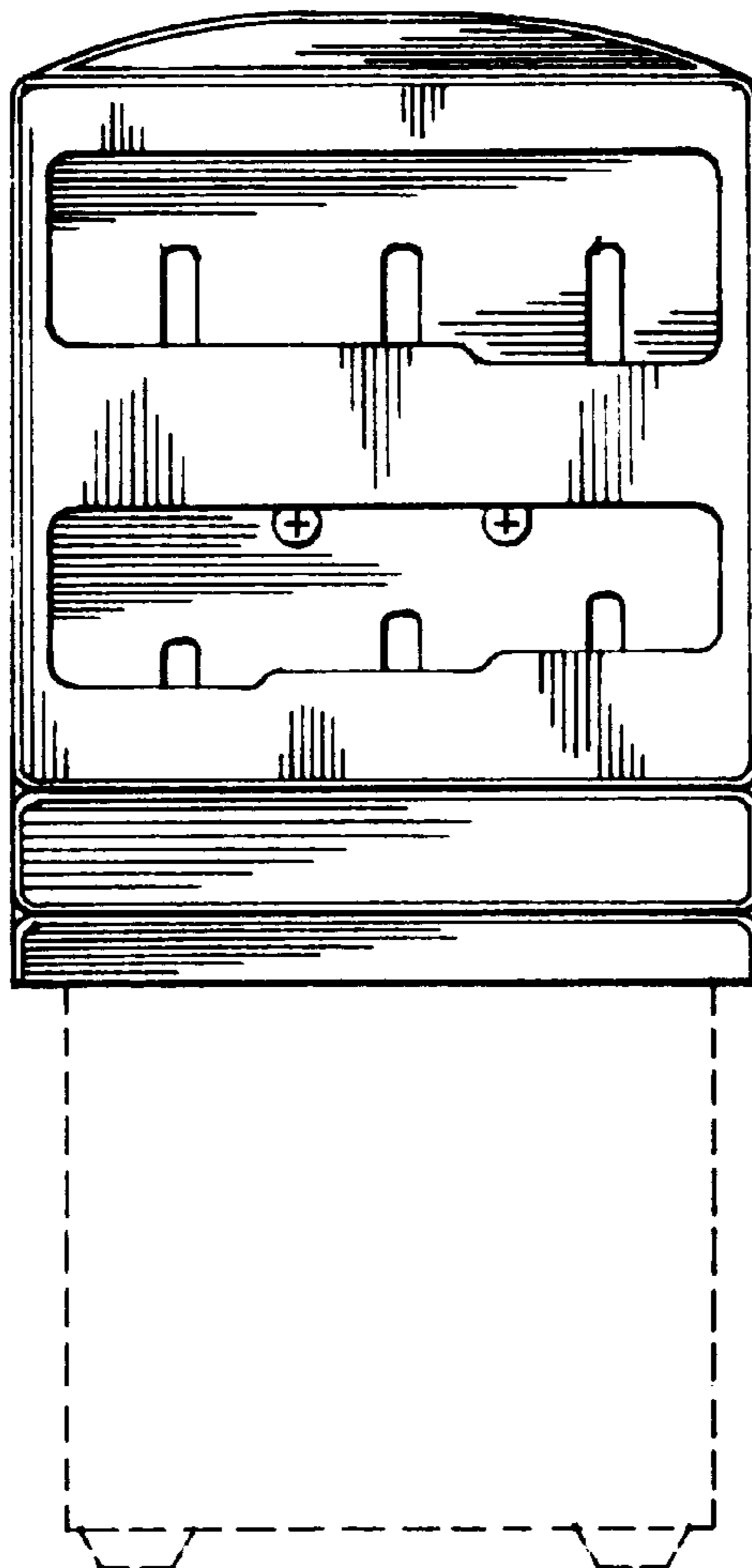


FIG. 1

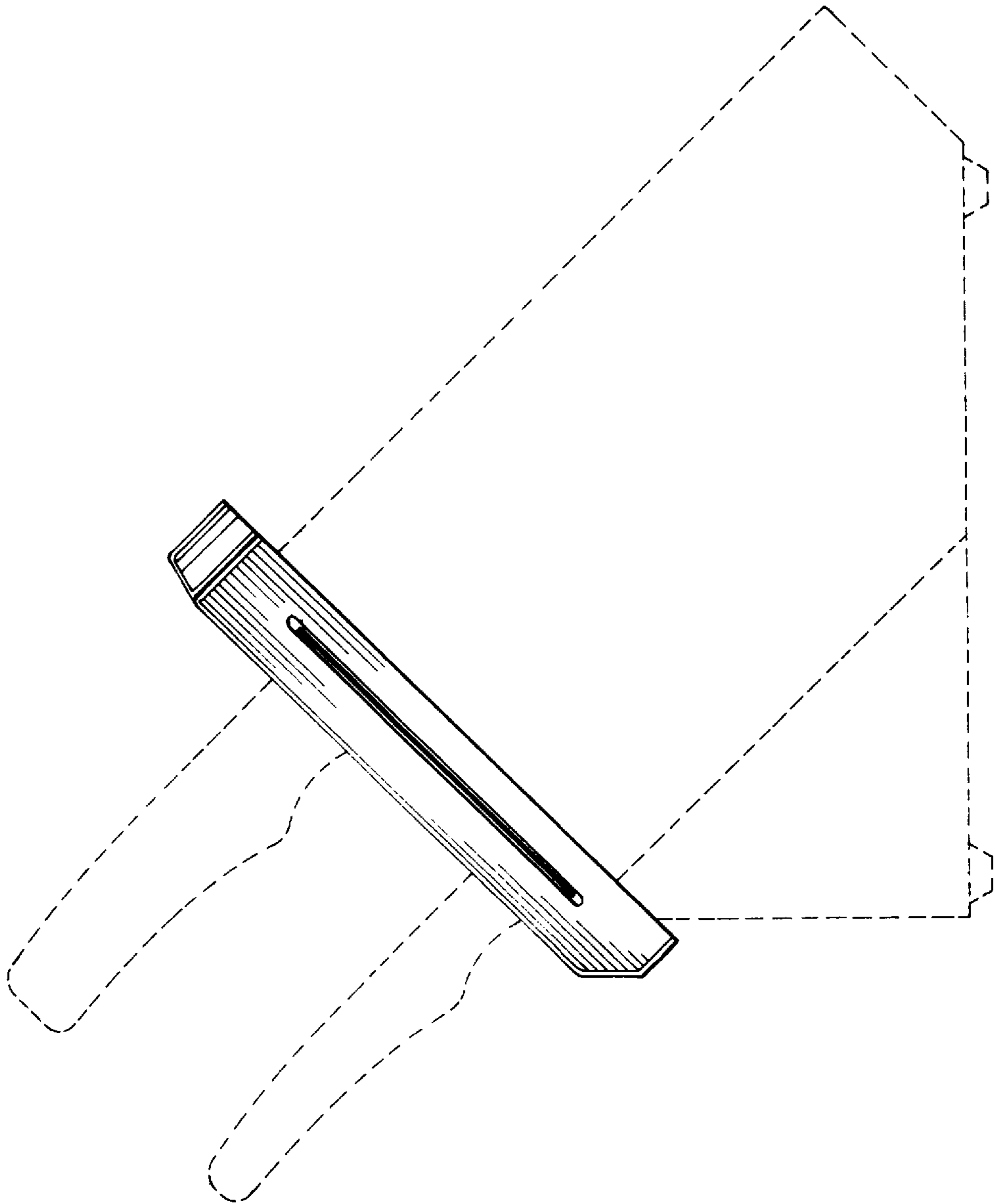
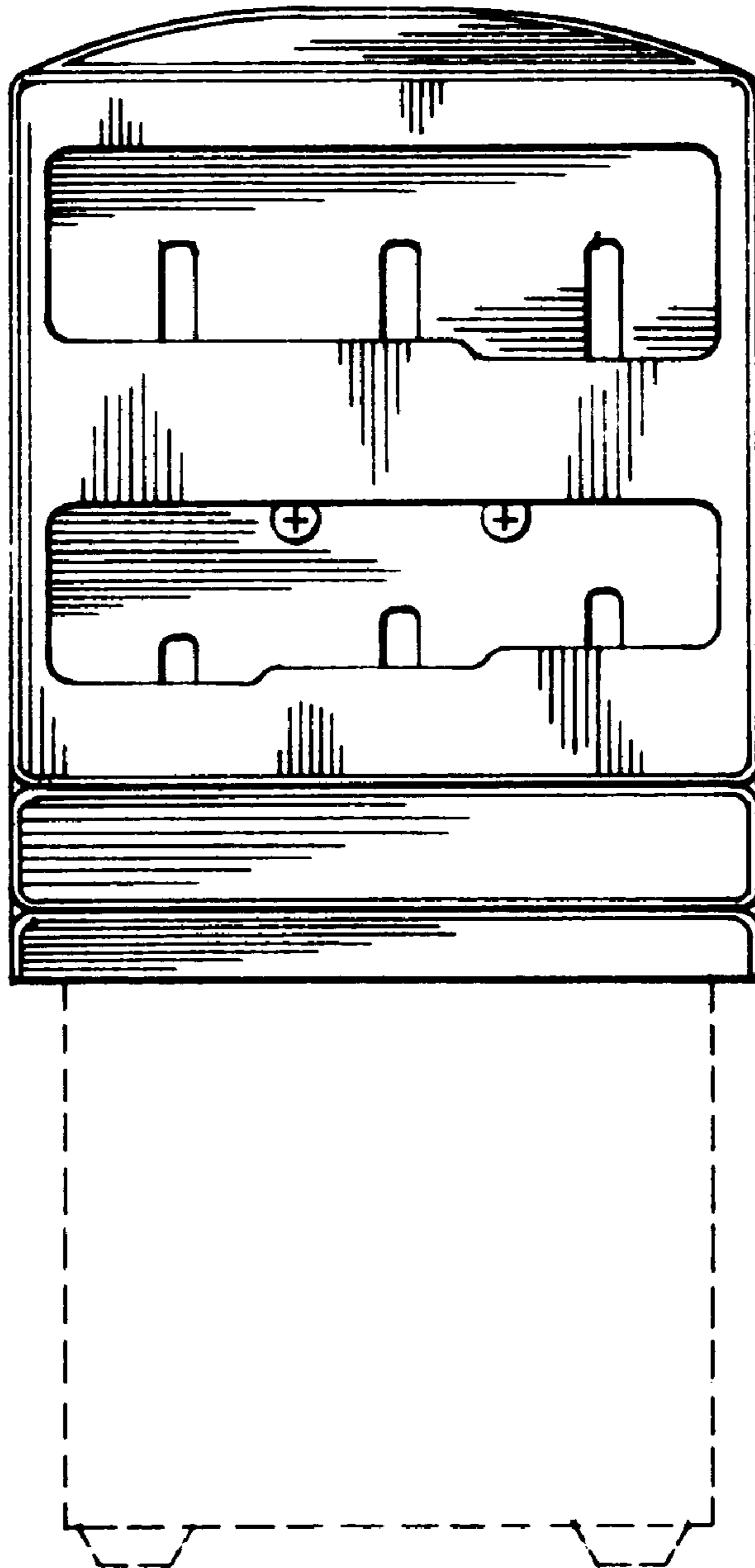


FIG. 2



**FIG. 3**

