



US00D426127S

United States Patent [19]

Boelling

[11] Patent Number: Des. 426,127

[45] Date of Patent: ** Jun. 6, 2000

[54] POSITIONING TOOL

[76] Inventor: James E. Boelling, 1618 SE. Delaware Ave., Ankeny, Iowa 50021

[**] Term: 14 Years

[21] Appl. No.: 29/104,561

[22] Filed: May 7, 1999

[51] LOC (7) Cl. 08-05

[52] U.S. Cl. D8/71

[58] Field of Search D8/71, 72, 73, D8/74, 354, 349; 33/533, 474, 613; 269/41, 42; 248/235

[56] References Cited

U.S. PATENT DOCUMENTS

D. 362,201	9/1995	Hill et al.	D8/71
D. 362,383	9/1995	Boelling	D8/354
3,137,492	6/1964	Dussold	269/41
3,276,128	10/1966	Ponich	33/533
3,854,268	12/1974	Gutner	33/533
5,312,078	5/1994	Marsh	248/220.1

5,573,228	11/1996	Chestnut	269/41
5,801,303	9/1998	Rosenquist	33/533
5,855,073	1/1999	Boelling	33/533

Primary Examiner—Philip S. Hyder
Attorney, Agent, or Firm—Zarley, McKee, Thomte, Voorhees & Sease

[57] CLAIM

I claim the ornamental design for a positioning tool, substantially as shown and described.

DESCRIPTION

FIG. 1 is a perspective view of a positioning tool embodying my design.

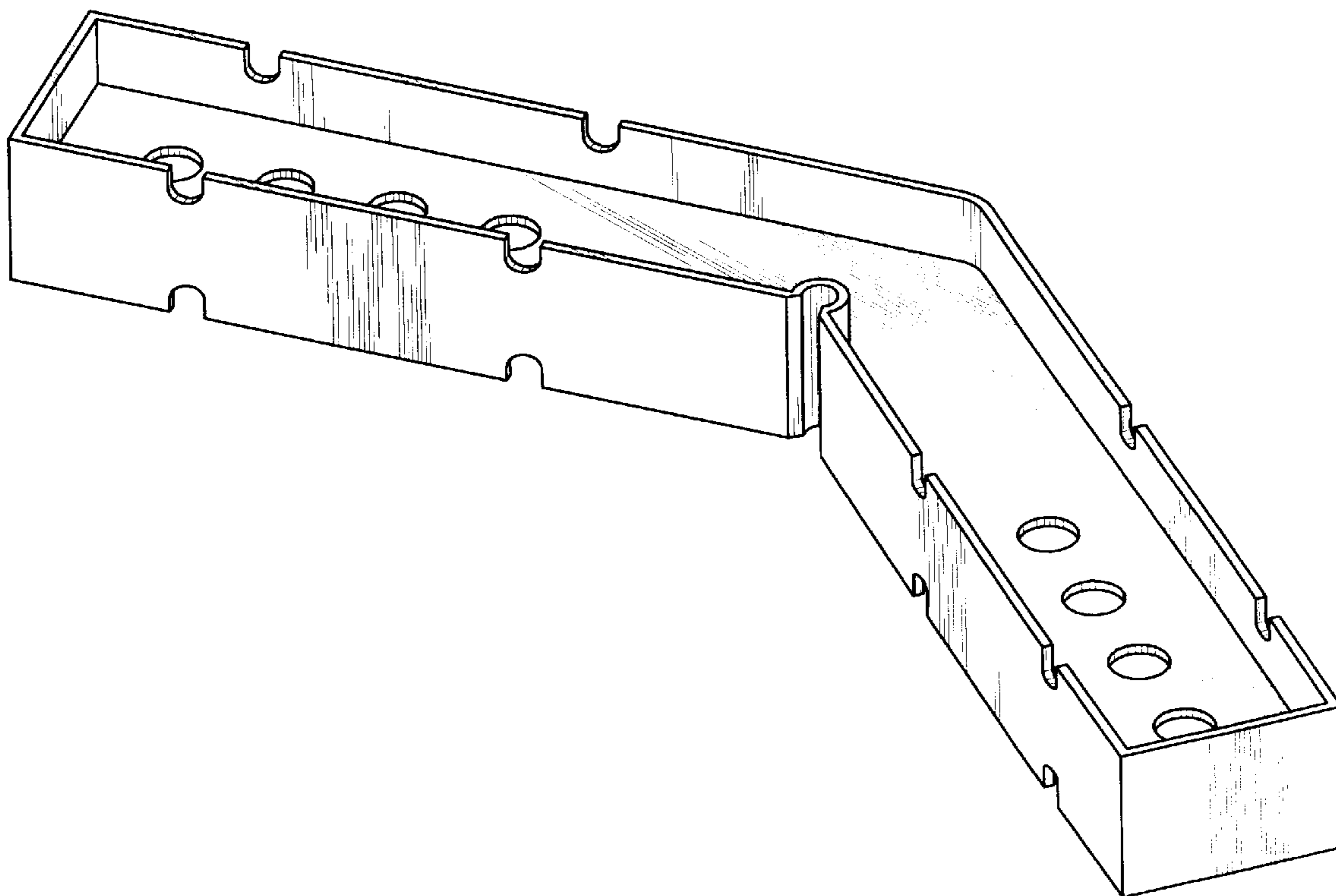
FIG. 2 is a side elevational view thereof with the opposite side being a mirror image.

FIG. 3 is a bottom plan view thereof as viewed from the left in FIG. 1.

FIG. 4 is a top plan view thereof as viewed from the right in FIG. 1; and,

FIG. 5 is an end elevational view thereof as viewed from the right in FIG. 2 with the opposite end being a mirror image.

1 Claim, 2 Drawing Sheets



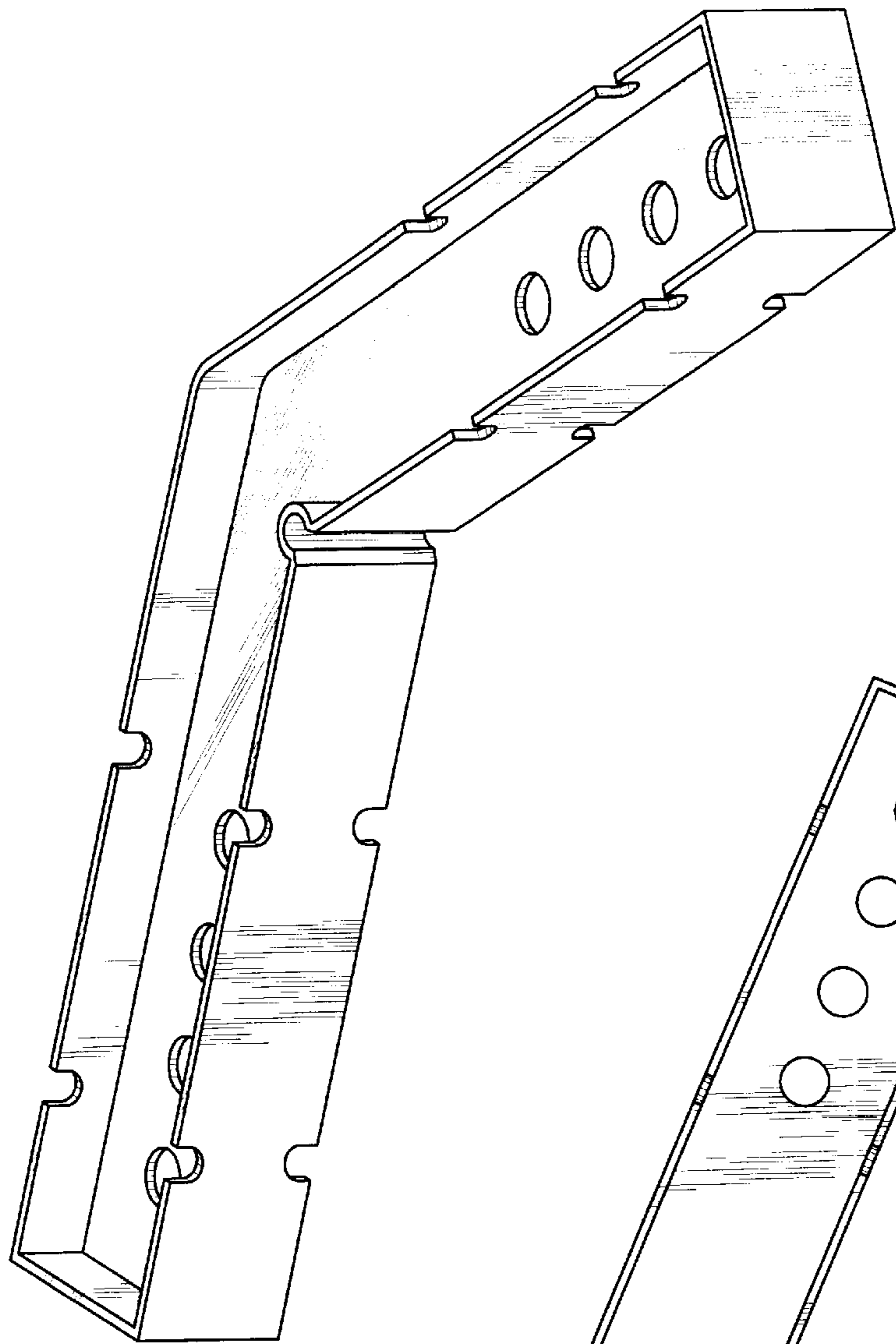


Fig. 1

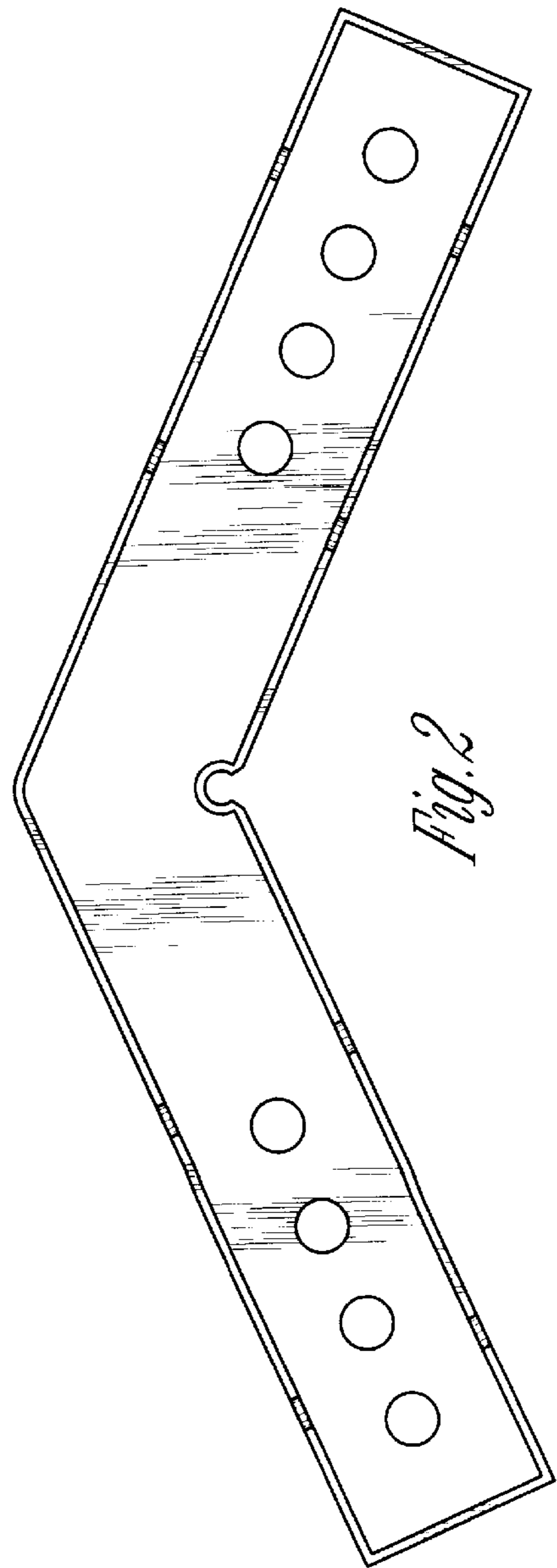


Fig. 2

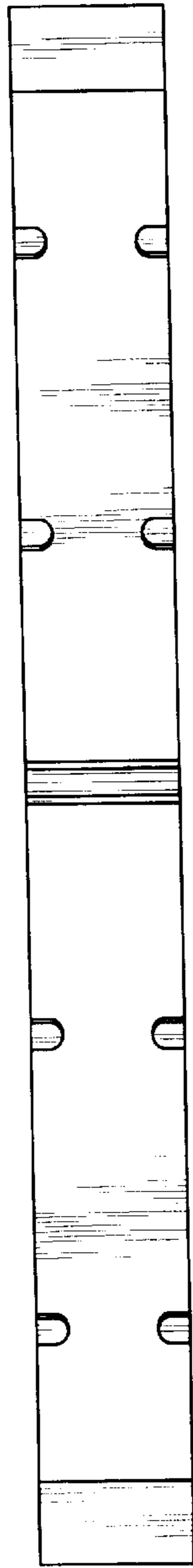


Fig. 3

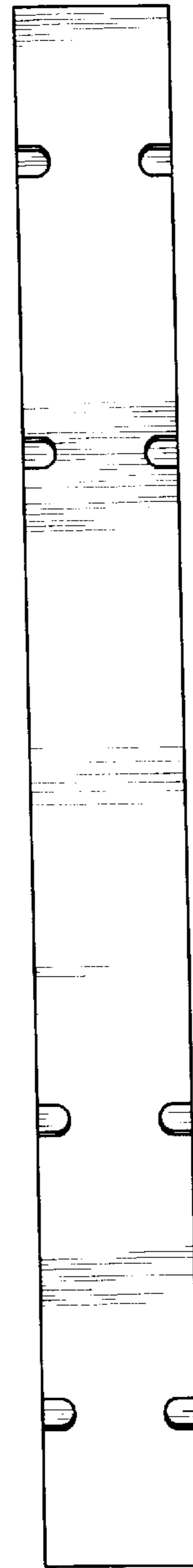


Fig. 4

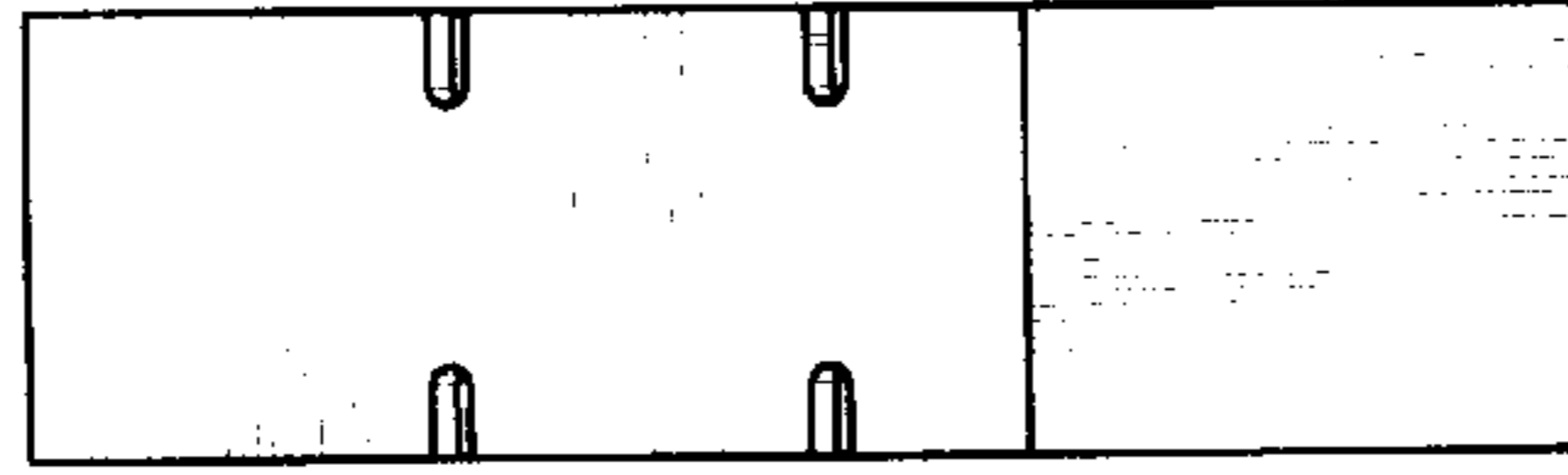


Fig. 5