



US00D426125S

**United States Patent** [19]  
**Hayakawa et al.**

[11] **Patent Number: Des. 426,125**  
[45] **Date of Patent: \*\* Jun. 6, 2000**

[54] **PORTABLE ELECTRIC DRIVER**  
[75] Inventors: **Naohiro Hayakawa**, Toyoake;  
**Yukihiko Yamada**, Nagoya, both of  
Japan  
[73] Assignee: **Makita Corporation**, Anjo, Japan  
[\*\*] Term: **14 Years**

D. 400,416	11/1998	Zurwelle	.....	D8/68
D. 406,740	3/1999	Zurwelle	.....	D8/68
3,527,273	9/1970	Falter	.....	81/429
4,803,904	2/1989	Stanich et al.	.....	81/54
5,094,133	3/1992	Schreiber	.....	81/474
5,230,261	7/1993	Akazawa et al.	.....	81/54

[21] Appl. No.: **29/102,714**  
[22] Filed: **Mar. 30, 1999**

**OTHER PUBLICATIONS**

DeWalt Professionelle Electrowerkzeuge Catalog, 1997/98  
(Oct. 1997).

*Primary Examiner*—Martie K. Holtje  
*Attorney, Agent, or Firm*—Lahive & Cockfield, LLP

[30] **Foreign Application Priority Data**  
Oct. 1, 1998 [JP] Japan ..... 10-28443

[57] **CLAIM**  
The ornamental design for a portable electric driver, as  
shown and described.

[51] **LOC (7) Cl.** ..... **08-05**  
[52] **U.S. Cl.** ..... **D8/68; D8/61**  
[58] **Field of Search** ..... D8/61, 62, 70,  
D8/82, 83, 86, 107, DIG. 7; 81/54, 55,  
57, 57.11, 57.14, 177.1, 474, 177.85, 429,  
409, 436, 900, 439, 901; 408/124, 125,  
113; 173/170, 13, 19, 171, 213, 217; 451/344,  
354, 357-359, 458; 310/40 R, 50

**DESCRIPTION**

FIG. 1 is a perspective view of a portable electric driver  
showing our new design;  
FIG. 2 is a front elevational view thereof;  
FIG. 3 is a rear side elevational view thereof;  
FIG. 4 is a left side elevational view thereof;  
FIG. 5 is right side elevational view thereof;  
FIG. 6 is a top plan view thereof;  
FIG. 7 is a bottom plan view thereof; and,  
FIG. 8 is a perspective view in a state when a hook is pulled  
out.

[56] **References Cited**  
**U.S. PATENT DOCUMENTS**  
D. 330,152 10/1992 Ogawa et al. .... D8/68  
D. 339,727 9/1993 Kikuchi ..... D8/68  
D. 344,000 2/1994 Shibata et al. .... D8/68

**1 Claim, 8 Drawing Sheets**

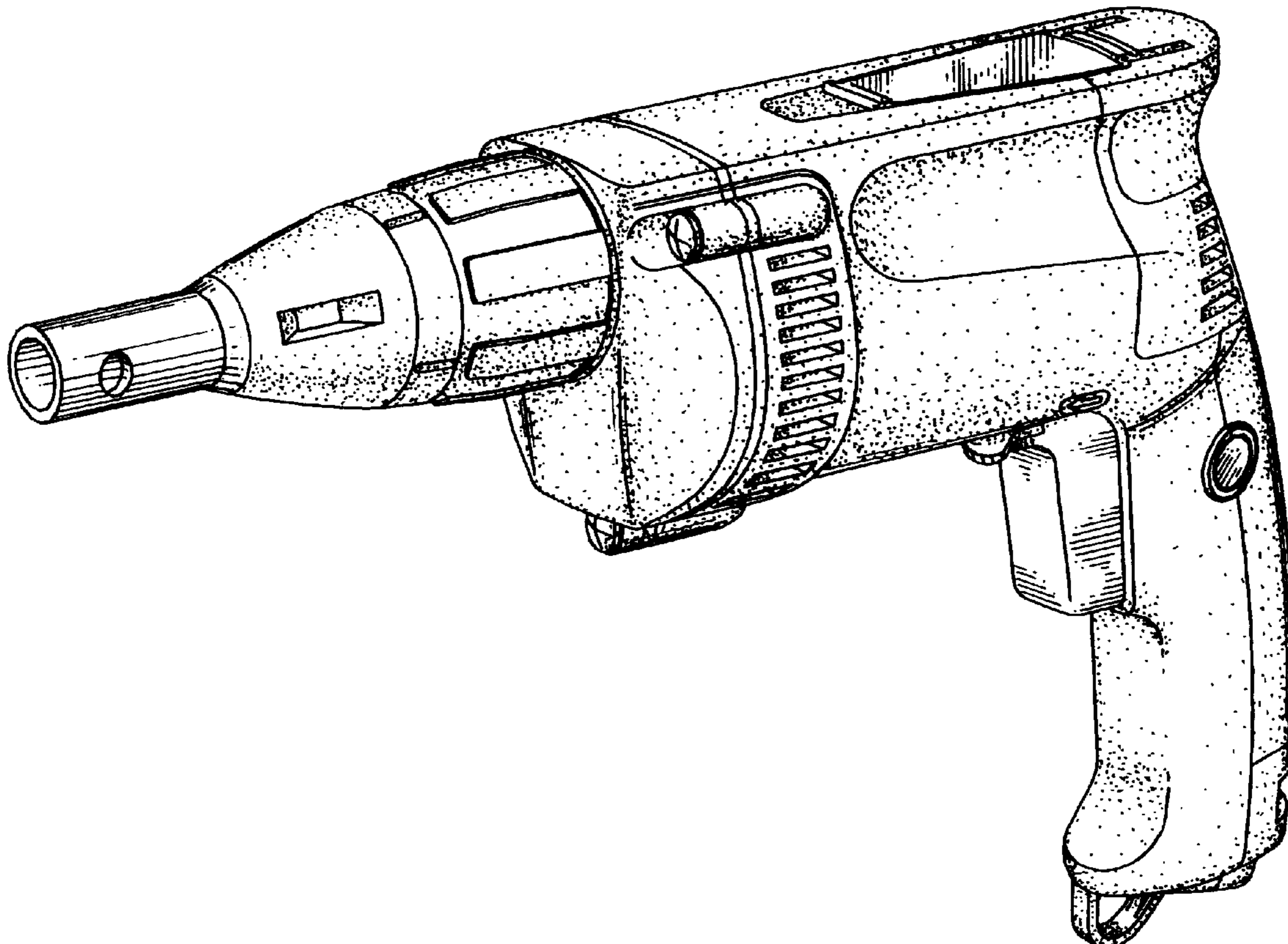


FIG. 1

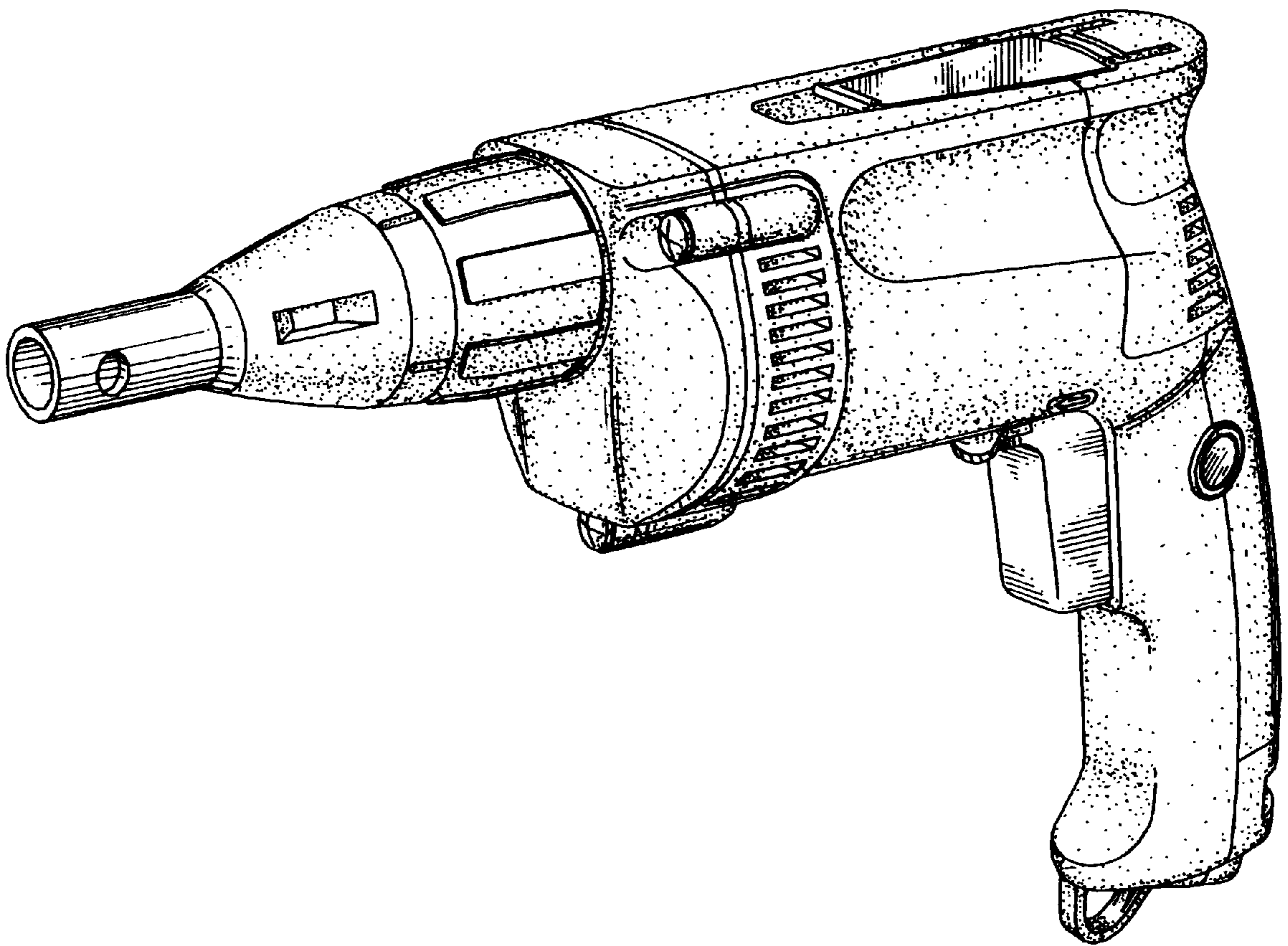


FIG. 2

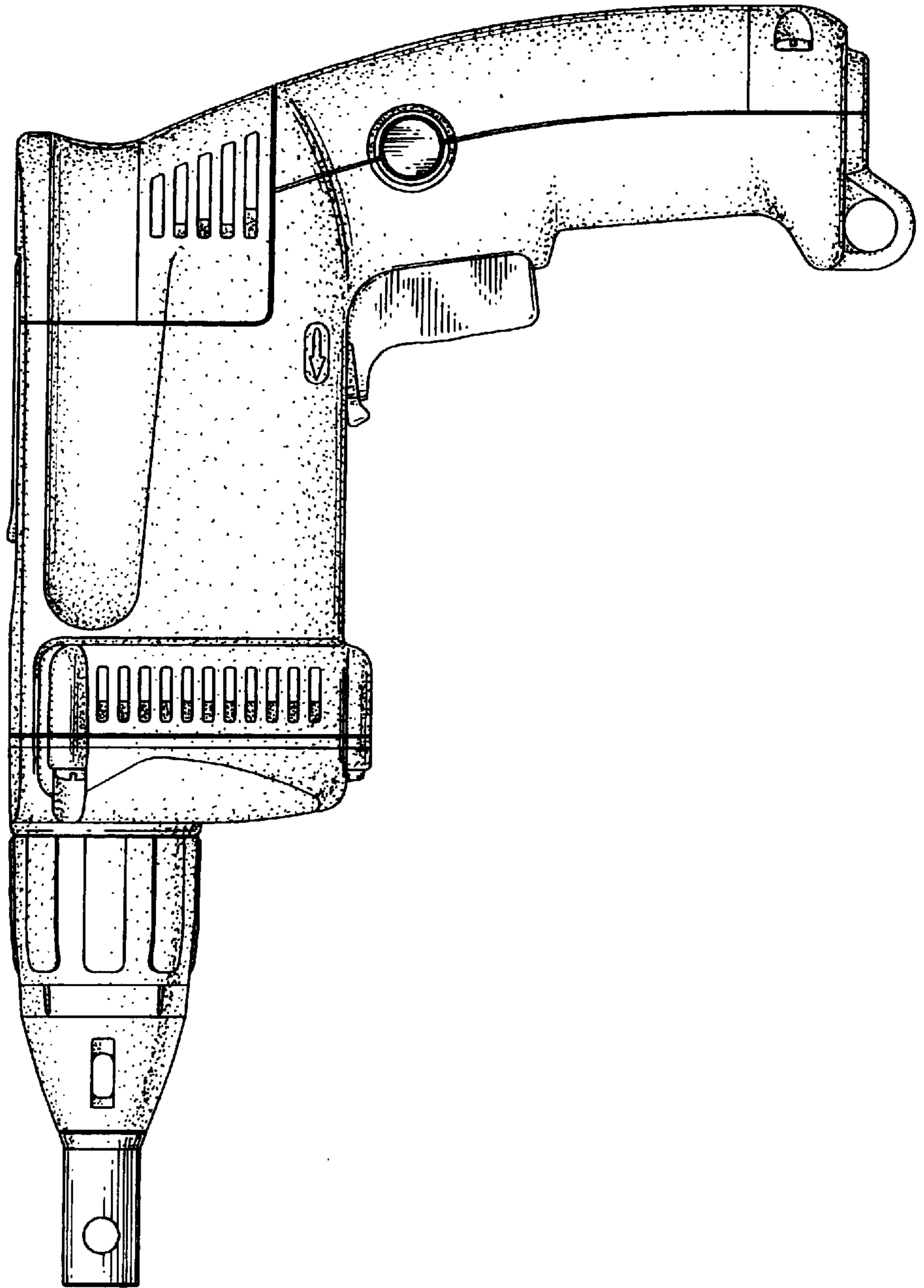
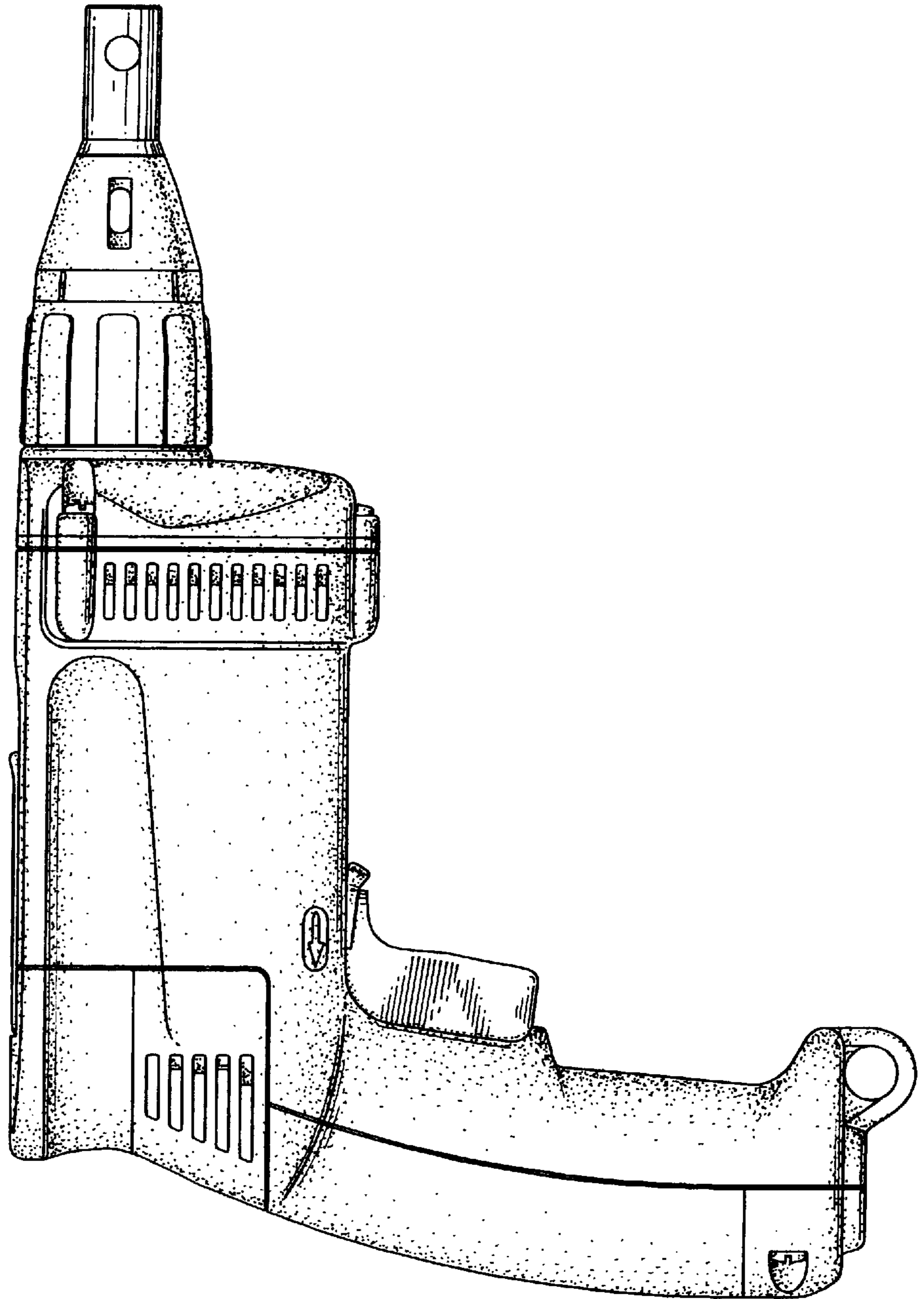
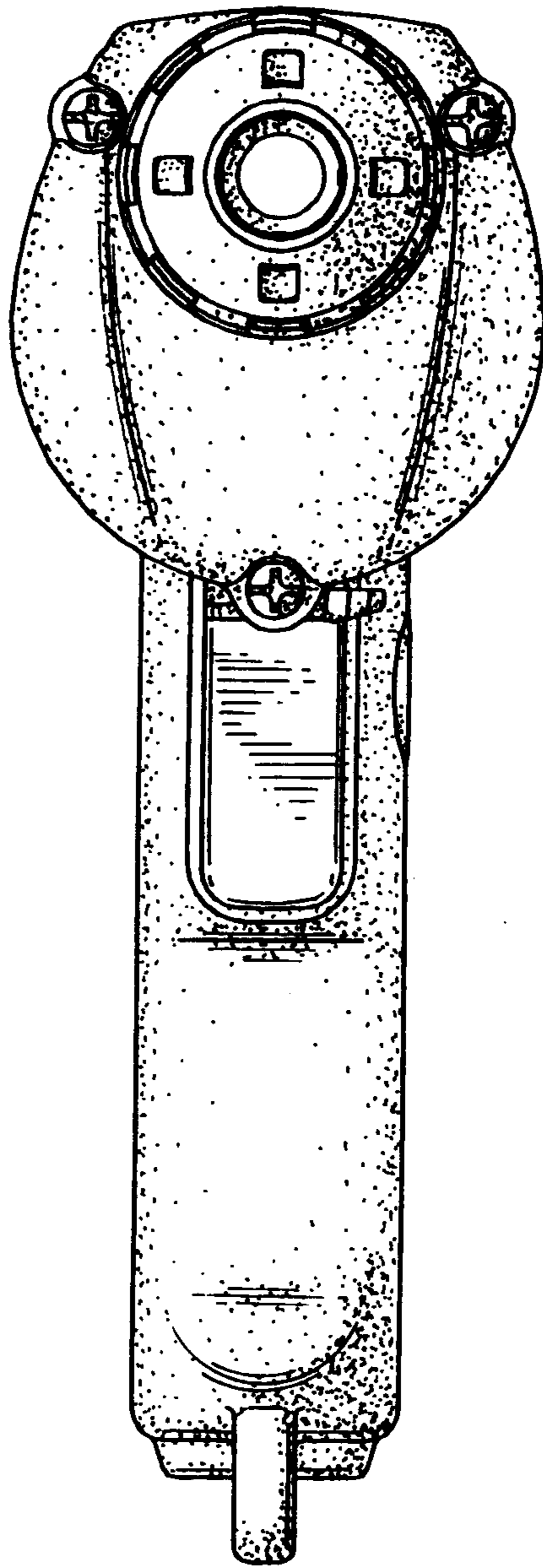


FIG. 3



# FIG. 4



# FIG. 5

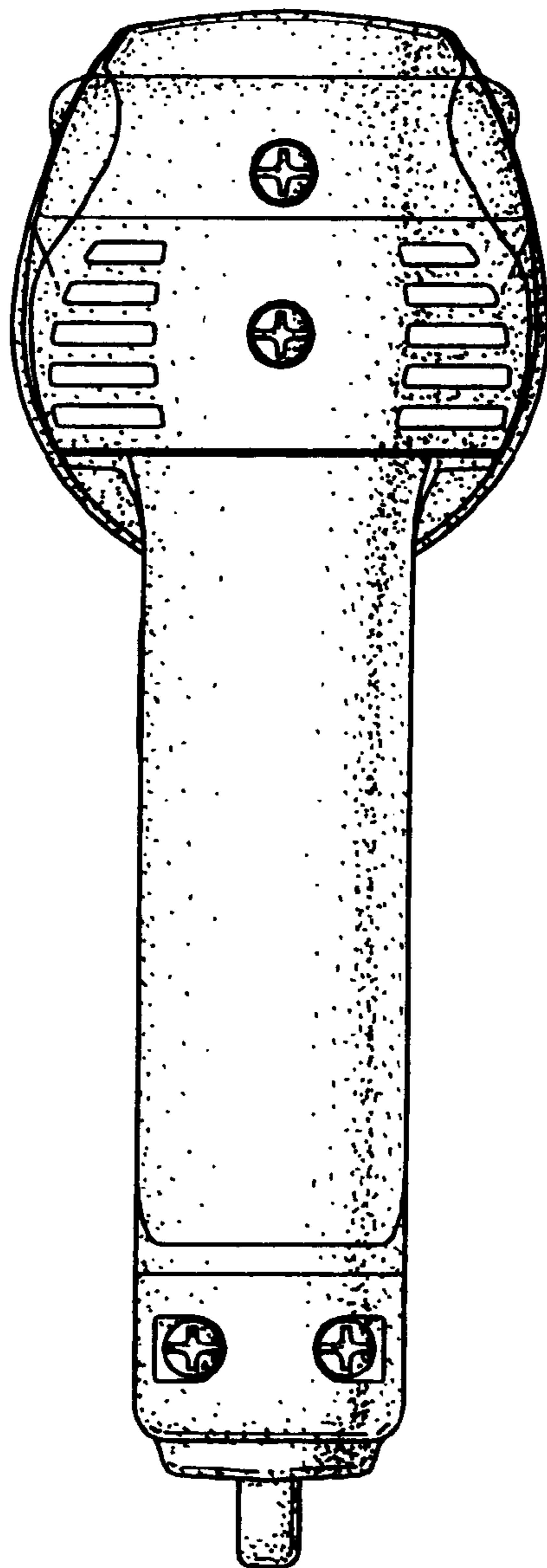


FIG. 6

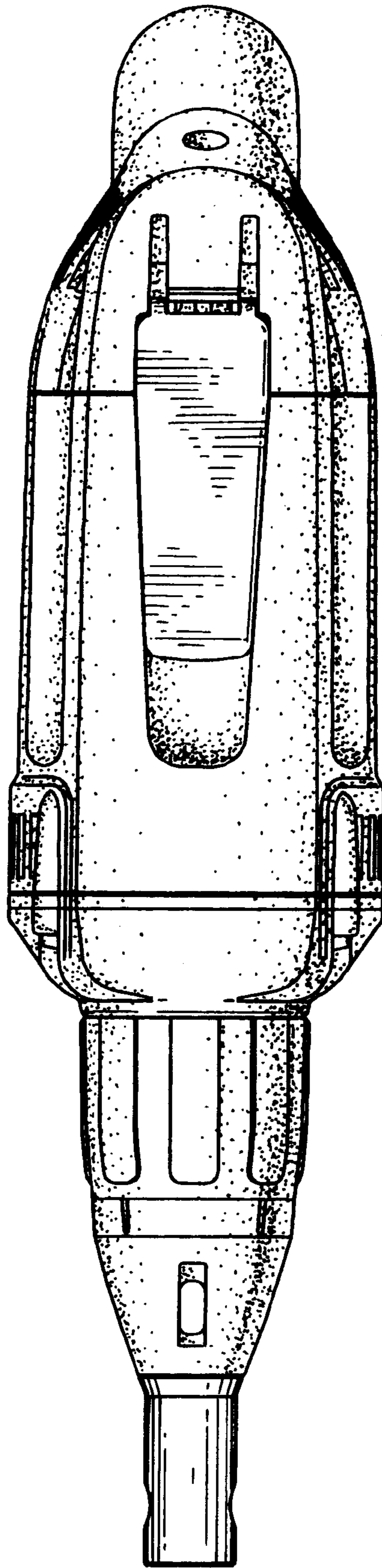


FIG. 7

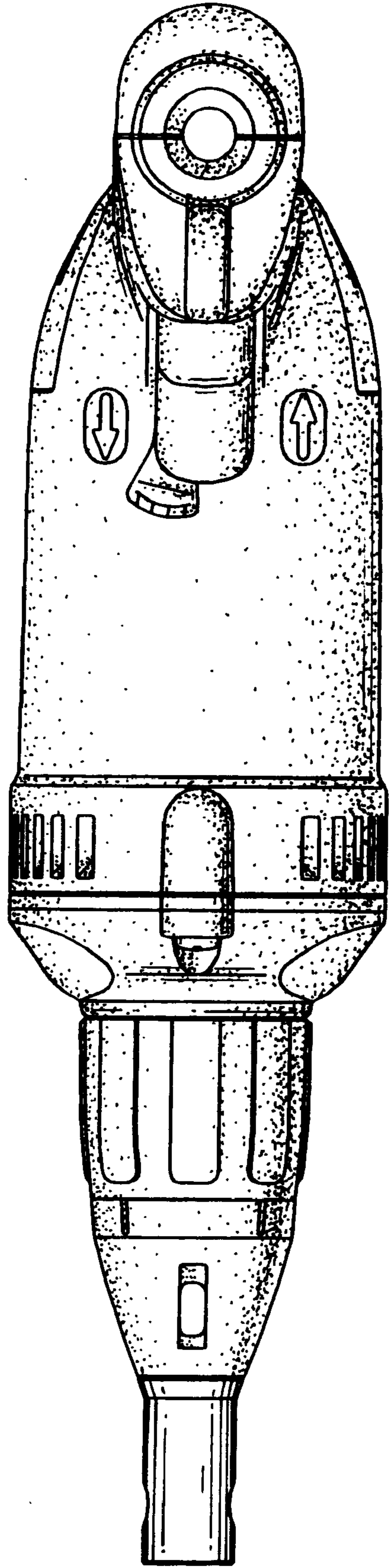




FIG. 8

