



US00D426124S

# United States Patent [19]

Kassalen et al.

[11] Patent Number: **Des. 426,124**

[45] Date of Patent: **\*\* Jun. 6, 2000**

[54] **PORTABLE ELECTRIC JIGSAW**

[75] Inventors: **Paul Joseph Kassalen**, Sugar Hill;  
**Daniel Robert Lewis**, Buford, both of Ga.

[73] Assignee: **Makita Corporation**, Aichi-Ken, Japan

[\*\*] Term: **14 Years**

D. 191,570 10/1961 Downs ..... D8/64  
 D. 337,709 7/1993 Ogawa et al. .... D8/64  
 D. 410,183 5/1999 Thomson .  
 3,204,470 9/1965 Brucker ..... 74/50  
 5,902,080 5/1999 Kopras ..... 409/182  
 5,988,034 11/1999 Okubo et al. .... 83/699.21

*Primary Examiner*—Martie K. Holtje  
*Attorney, Agent, or Firm*—Rodgers & Rodgers

[21] Appl. No.: **29/108,399**

[22] Filed: **Jul. 27, 1999**

### [57] CLAIM

The ornamental design for a portable electric jigsaw, as shown.

[51] **LOC (7) Cl.** ..... **08-03**

[52] **U.S. Cl.** ..... **D8/64; D8/69**

[58] **Field of Search** ..... D8/61, 62, 64,  
D8/65, 66, 68, 69, 70, 107, DIG. 7; 74/50;  
30/166.3, 272.1, 374-377, 392-394; 81/489;  
83/699.21, 746, 747; 409/182

### DESCRIPTION

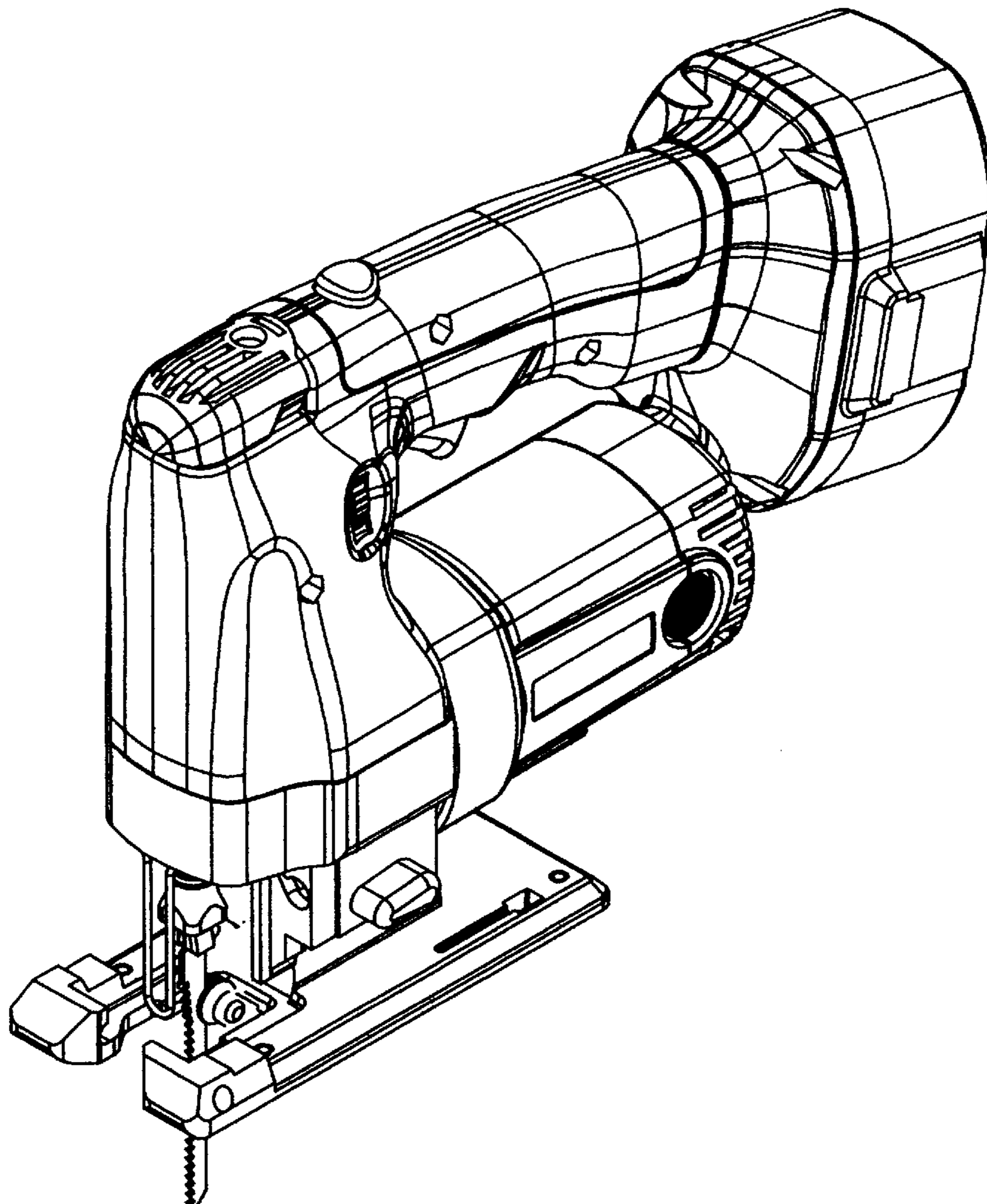
FIG. 1 is a perspective view of a portable electric jigsaw showing our new design;  
 FIG. 2 is a front elevational view thereof;  
 FIG. 3 is a rear elevational view thereof;  
 FIG. 4 is a top plan view thereof;  
 FIG. 5 is a bottom plan view thereof;  
 FIG. 6 is a left side elevational view thereof; and,  
 FIG. 7 is a right side elevational view thereof.

### [56] References Cited

U.S. PATENT DOCUMENTS

D. 175,185 7/1955 Oakley ..... D8/64

**1 Claim, 7 Drawing Sheets**



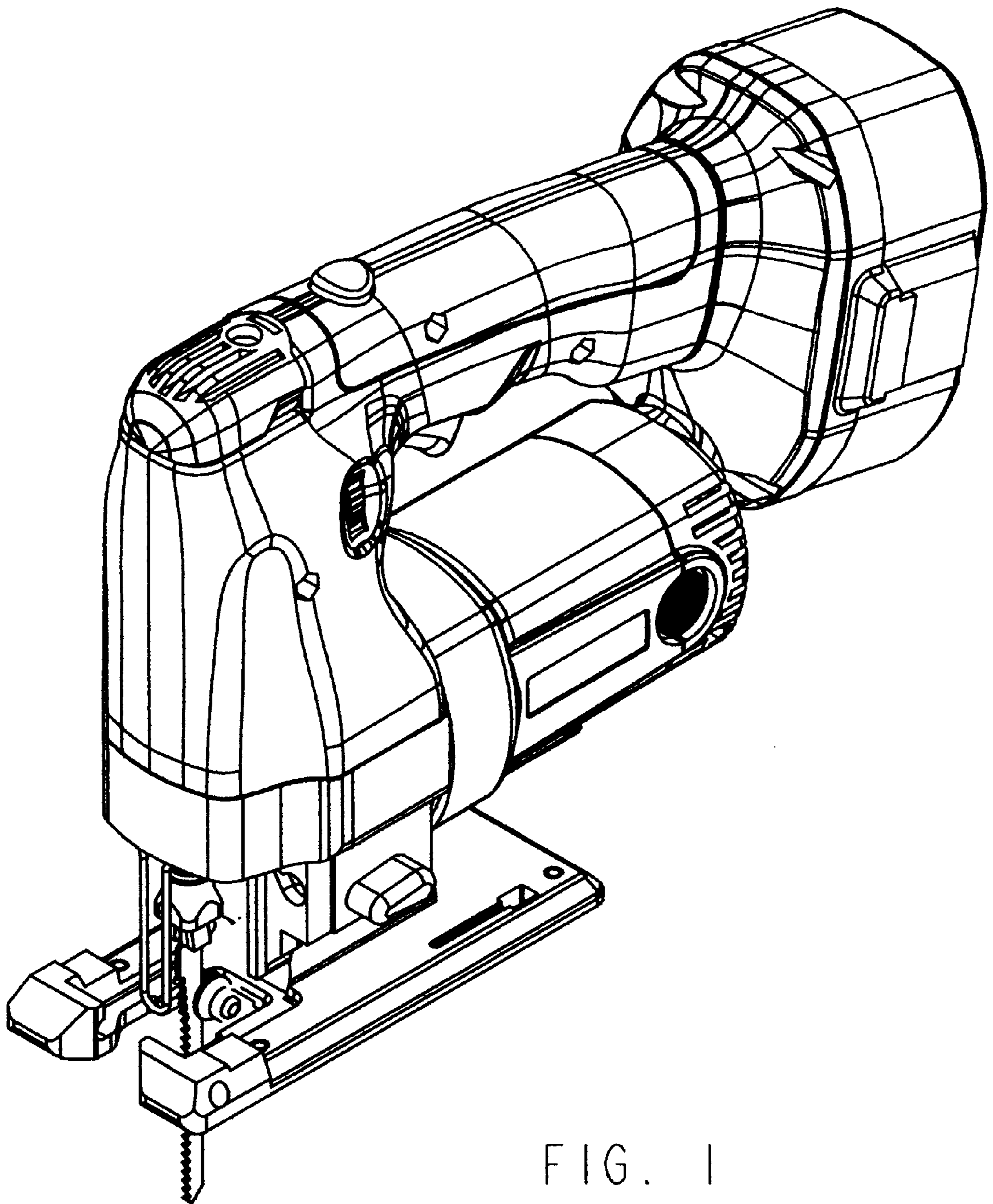


FIG. 1

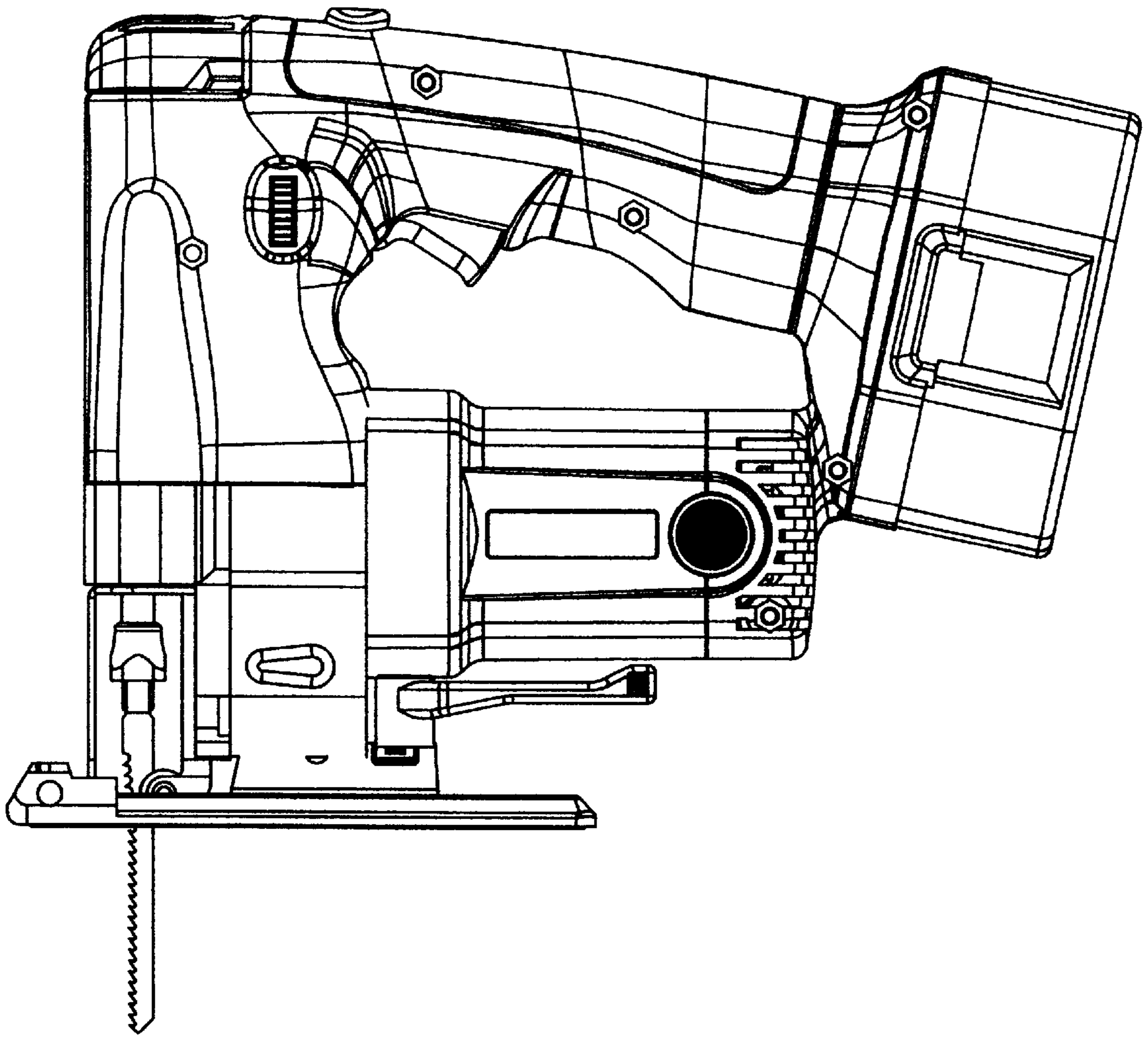


FIG. 2

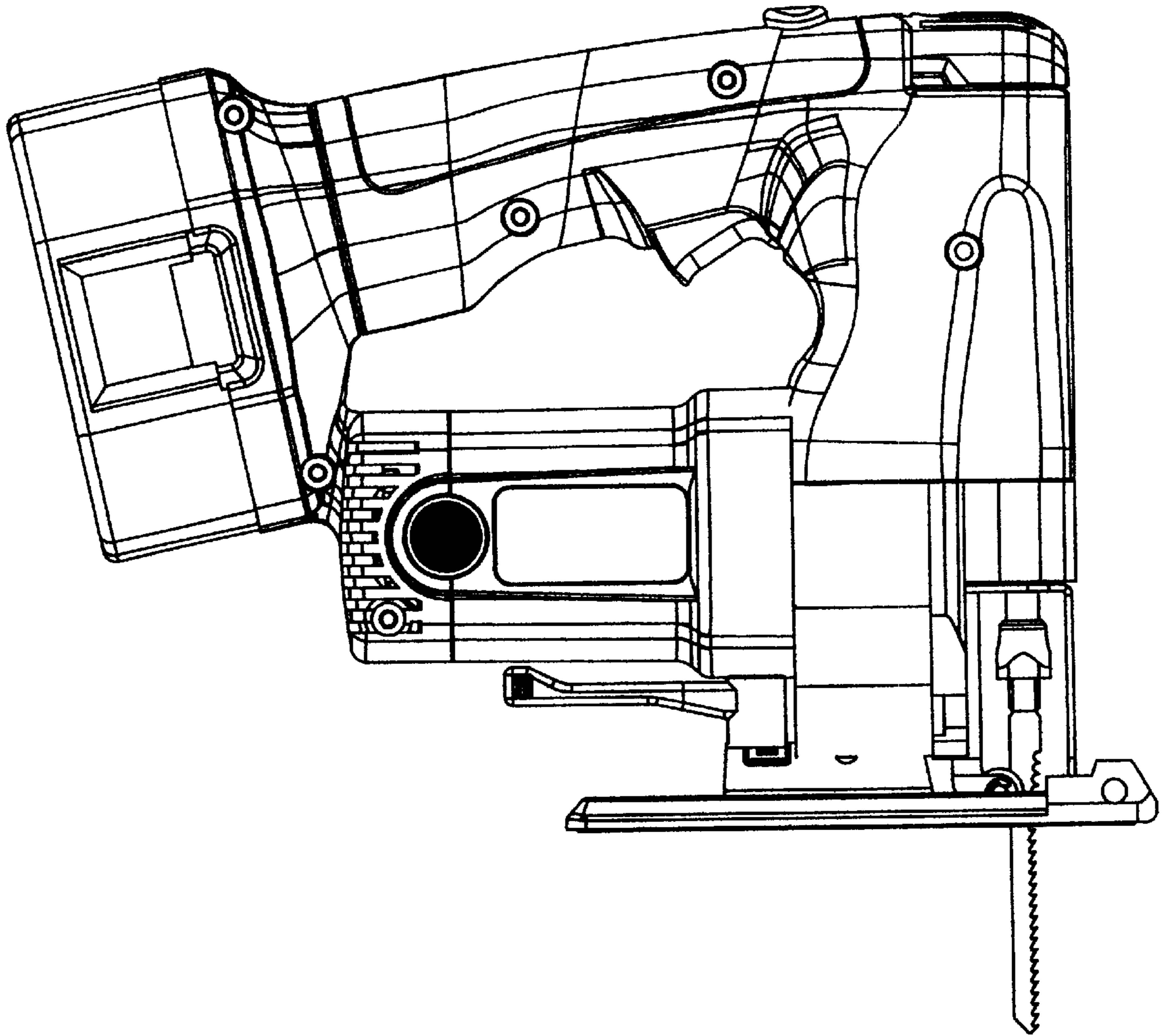


FIG. 3

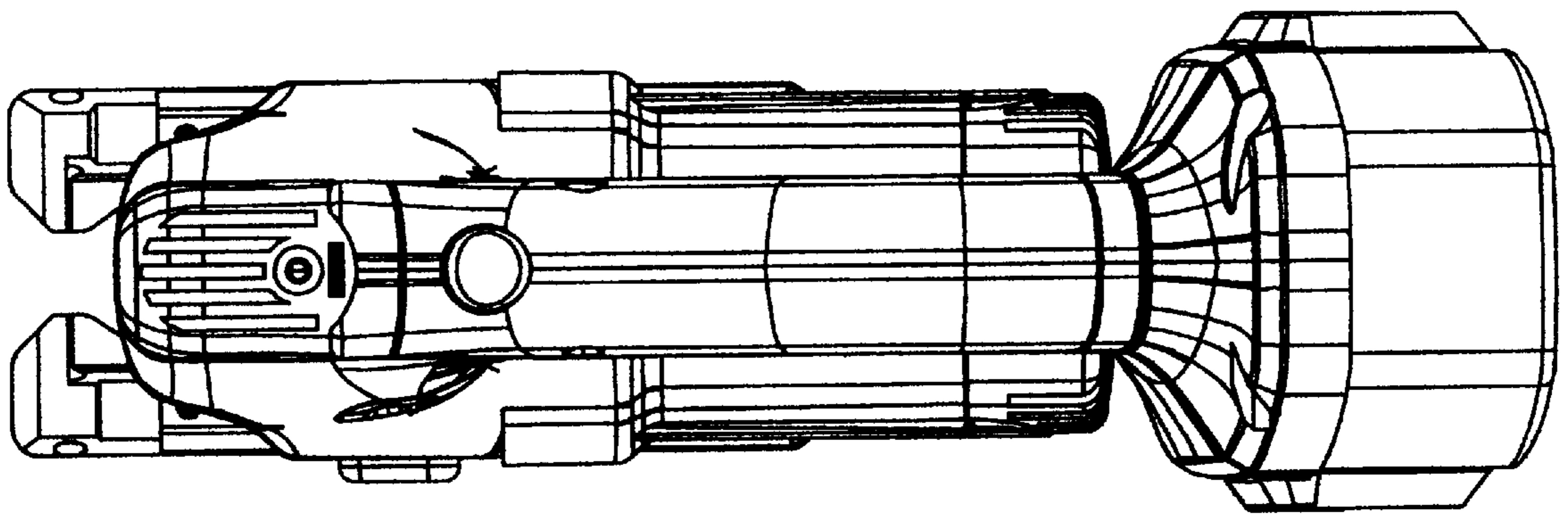


FIG 4

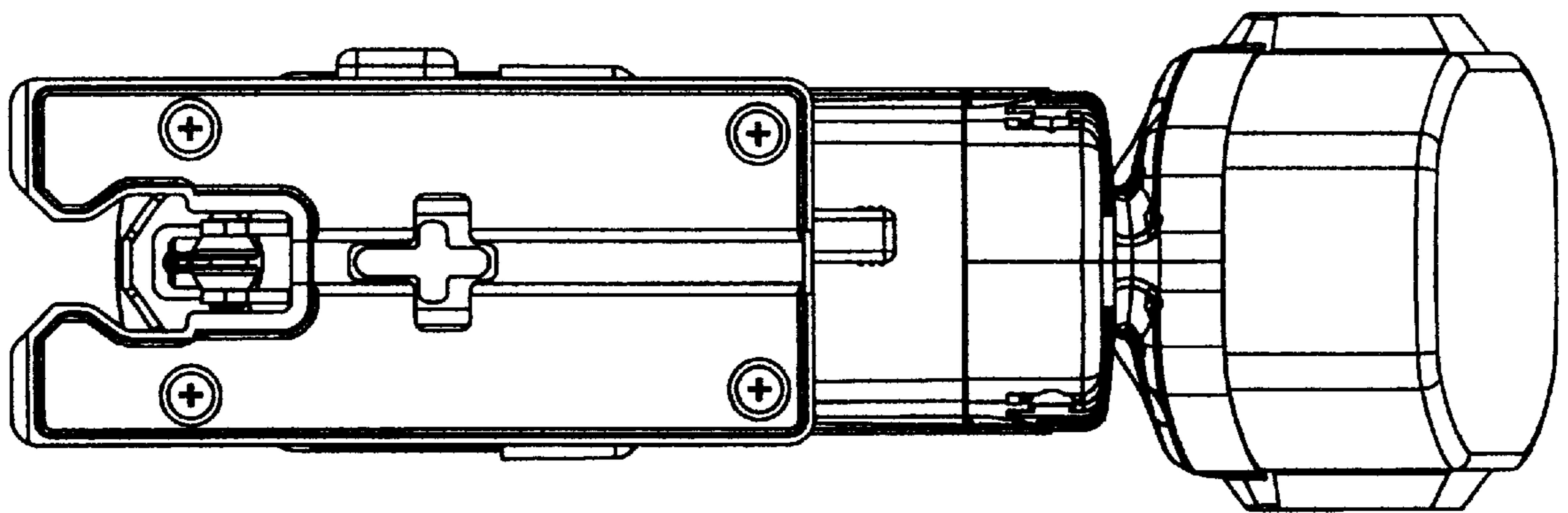


FIG. 5

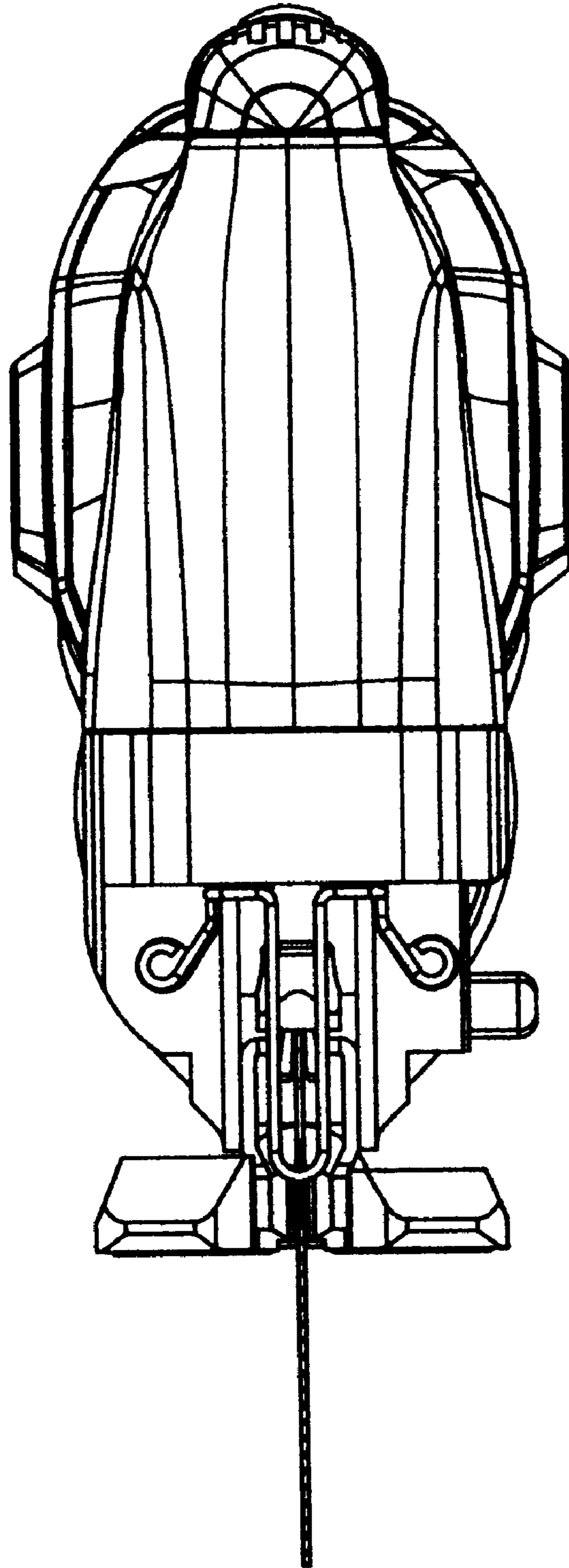


FIG. 6

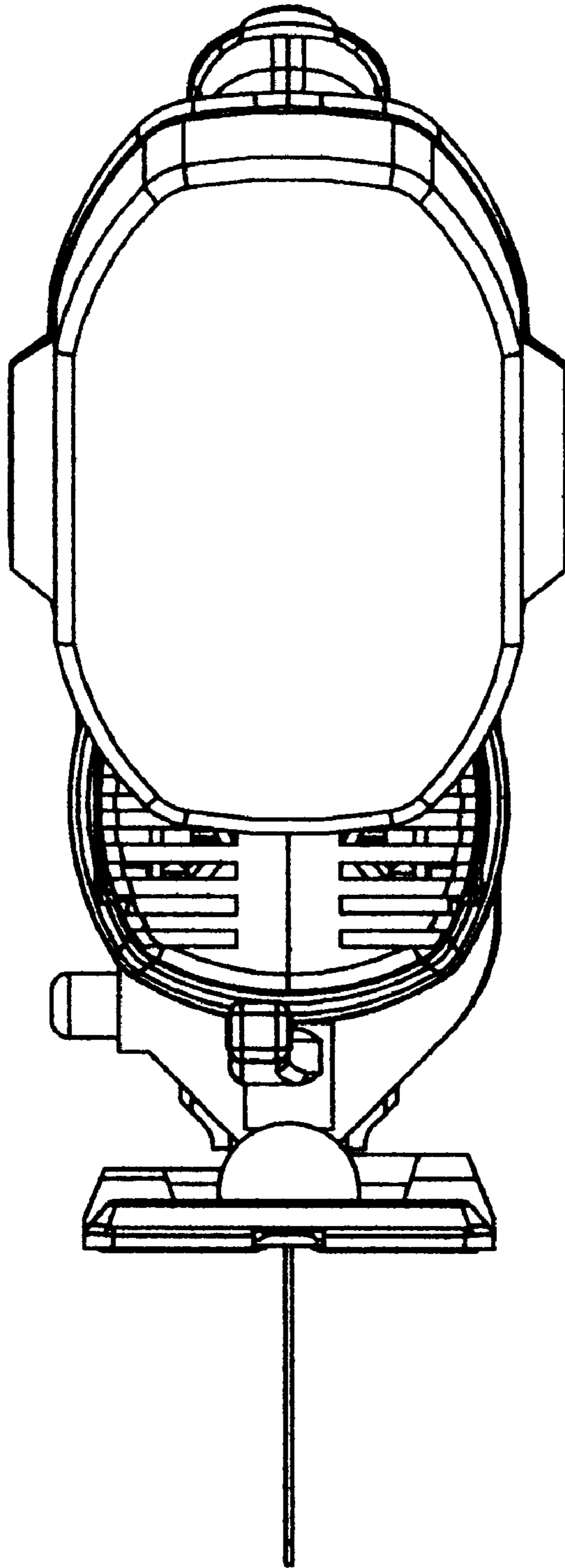


FIG. 7