



US00D426122S

United States Patent [19]
Wu

[11] **Patent Number: Des. 426,122**
[45] **Date of Patent: ** Jun. 6, 2000**

[54] **STAPLER**

[76] Inventor: **Shang-Hua Wu**, No. 77 Dong-Ing ninth Road, Taichung City, Taiwan

[**] Term: **14 Years**

[21] Appl. No.: **29/107,728**

[22] Filed: **Jul. 14, 1999**

[51] **LOC (7) Cl.** **19-02**

[52] **U.S. Cl.** **D8/50; D19/72**

[58] **Field of Search** D8/49, 50, 61;
D19/65, 72; 227/127, 128, 132, 134, 156,
120

[56] **References Cited**

U.S. PATENT DOCUMENTS

- D. 304,902 12/1989 Ebihara D8/50
- D. 352,435 11/1994 Chi D8/50

- D. 387,646 12/1997 Arns D8/50
- D. 414,091 9/1999 Rellinger D8/50
- 4,014,493 3/1977 Wolfe 227/156

Primary Examiner—Adir Aronovich
Attorney, Agent, or Firm—Rosenberg, Klein & Lee

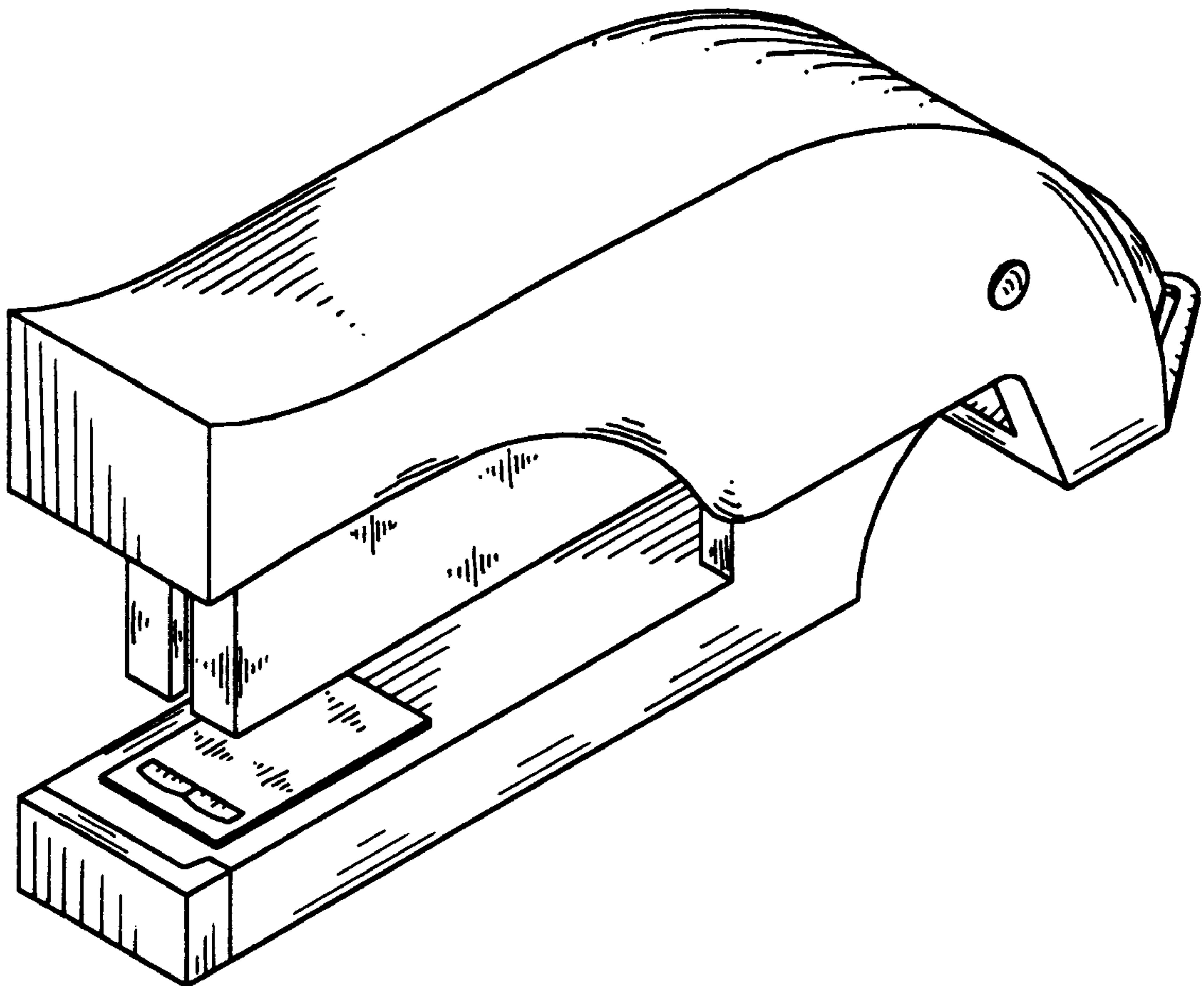
[57] **CLAIM**

The ornamental design for a stapler, as shown and described.

DESCRIPTION

FIG. 1 is a front elevational view of a stapler showing my new design;
FIG. 2 is a left side elevational view thereof;
FIG. 3 is a right side elevational view thereof;
FIG. 4 is a top plan view thereof;
FIG. 5 is a bottom plan view thereof;
FIG. 6 is a rear elevational view thereof; and,
FIG. 7 is a perspective view thereof.

1 Claim, 5 Drawing Sheets



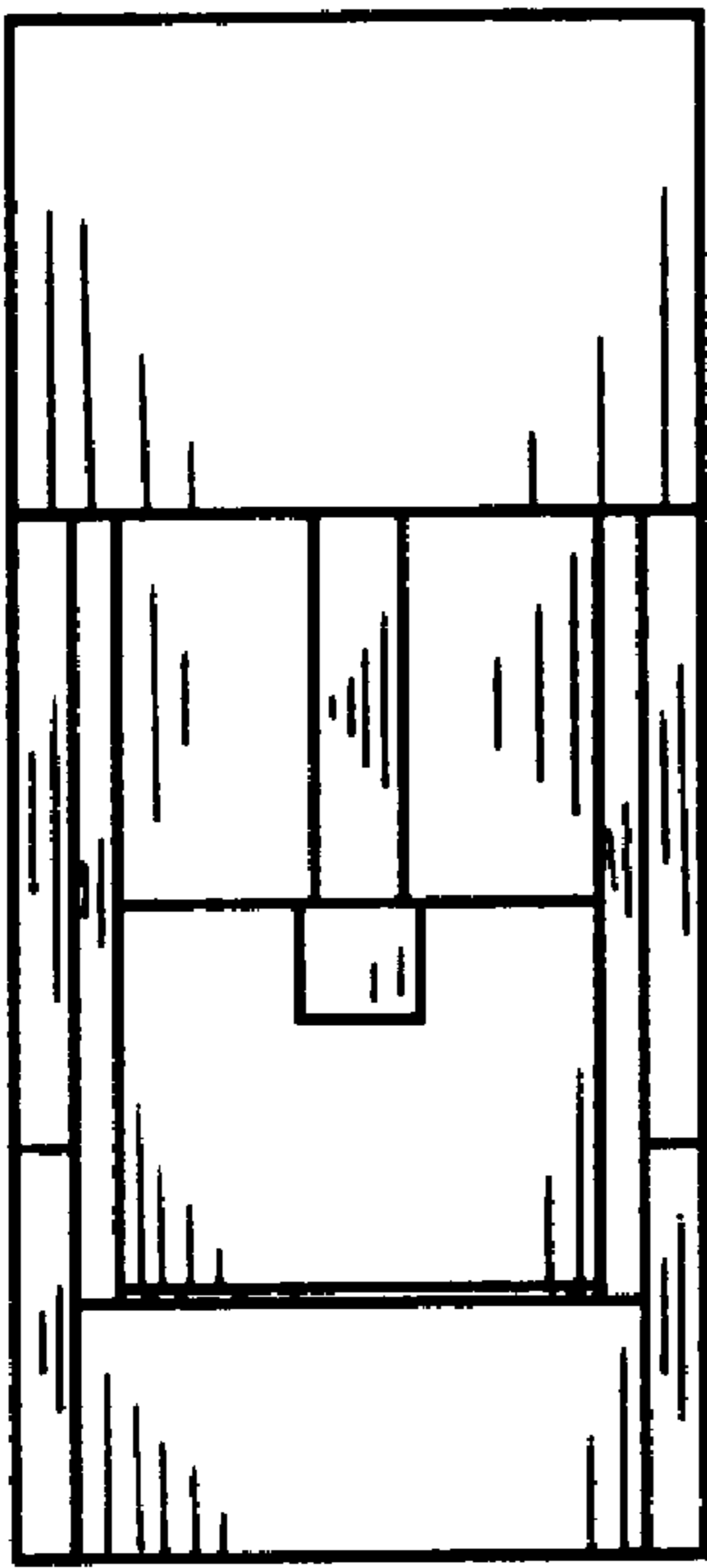


FIG. 1

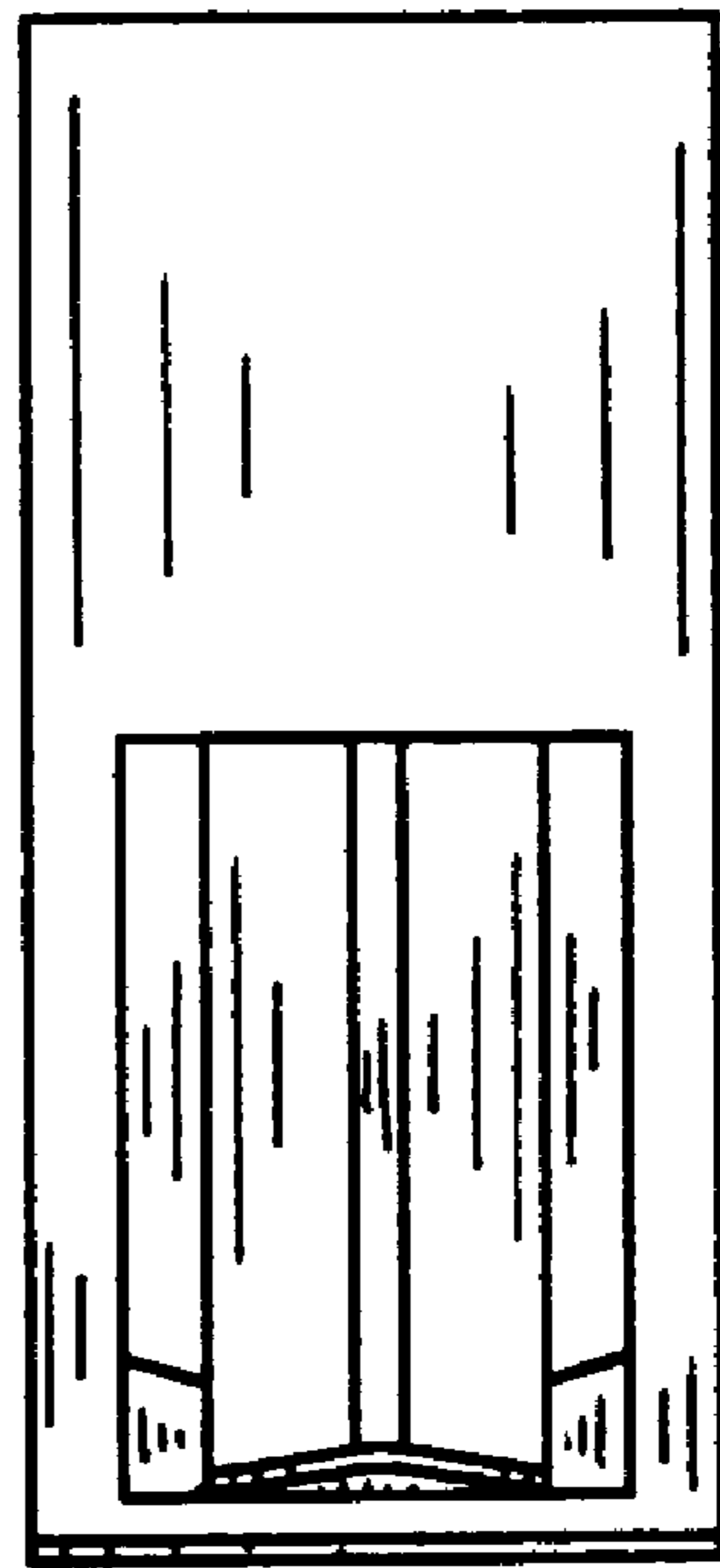


FIG. 6



FIG. 2

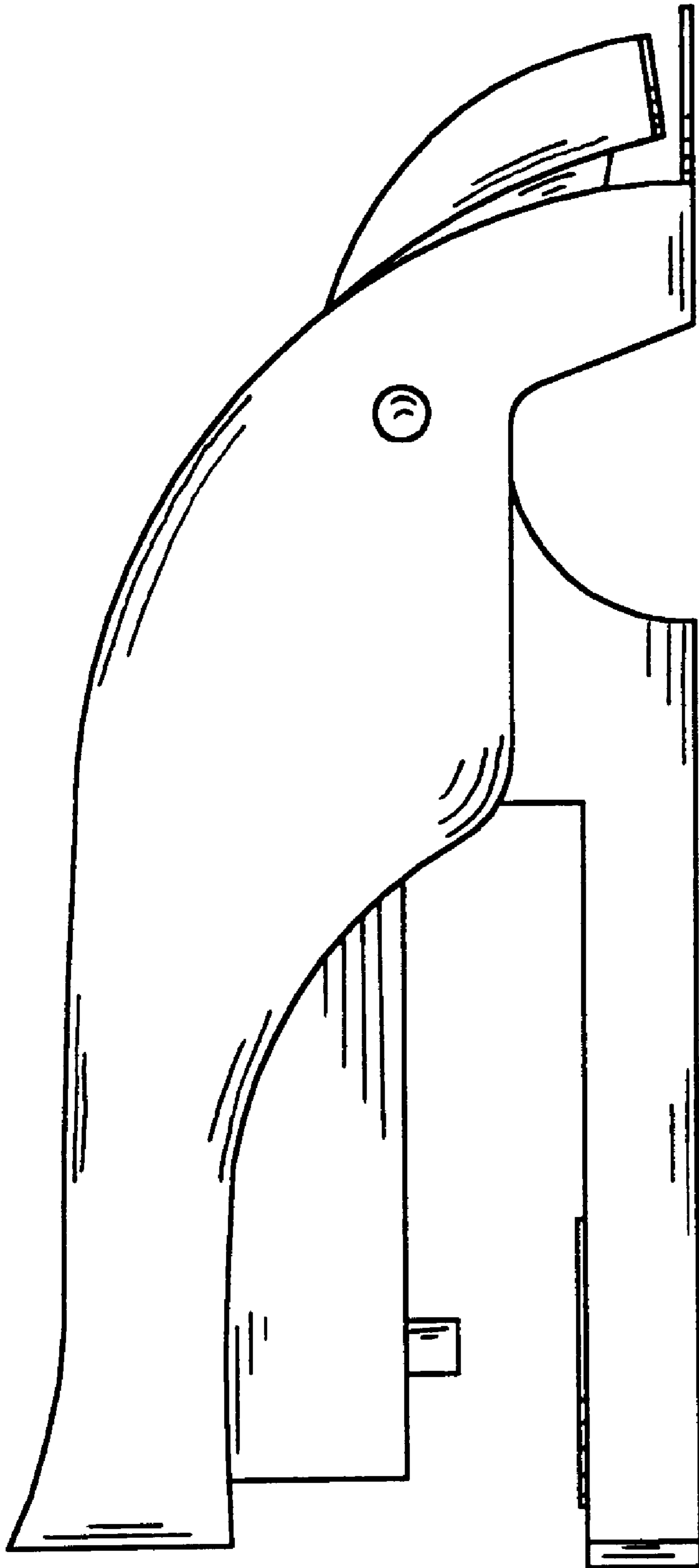


FIG. 3

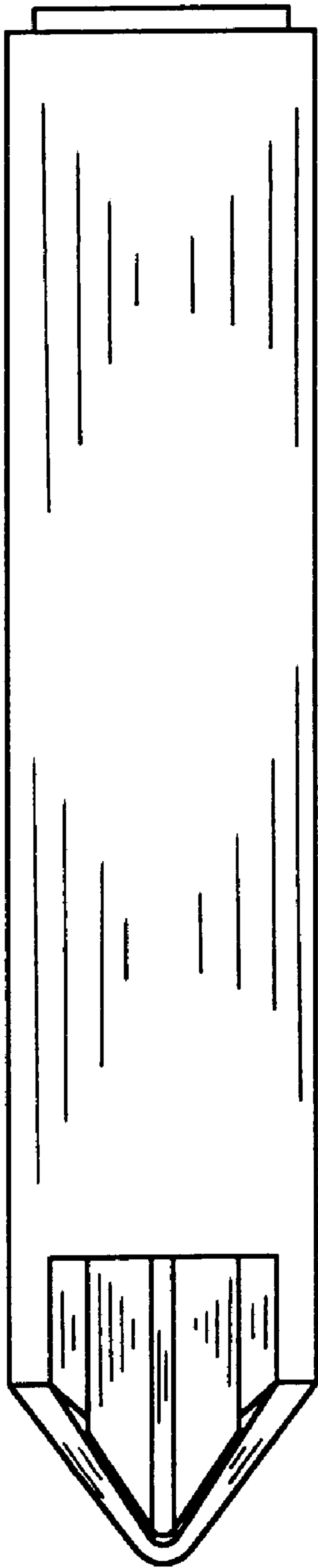


FIG. 4

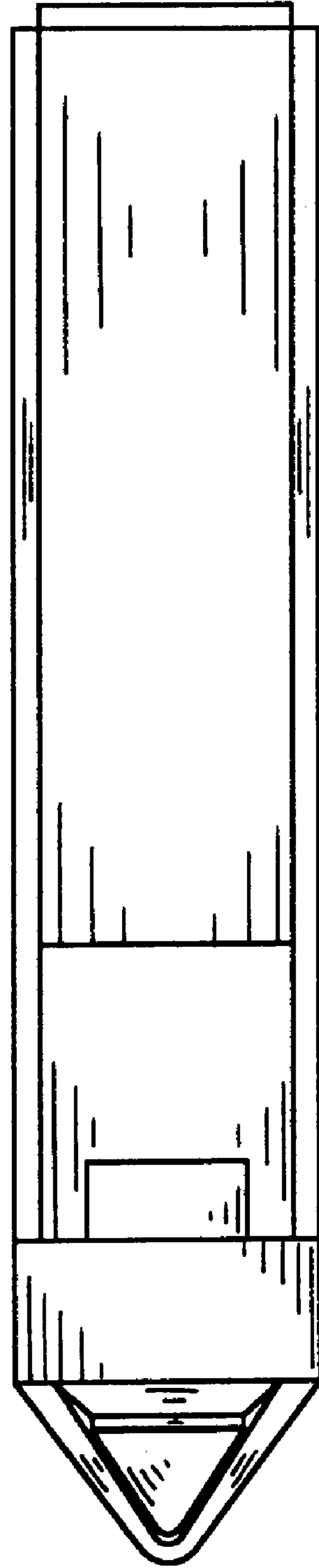


FIG. 5

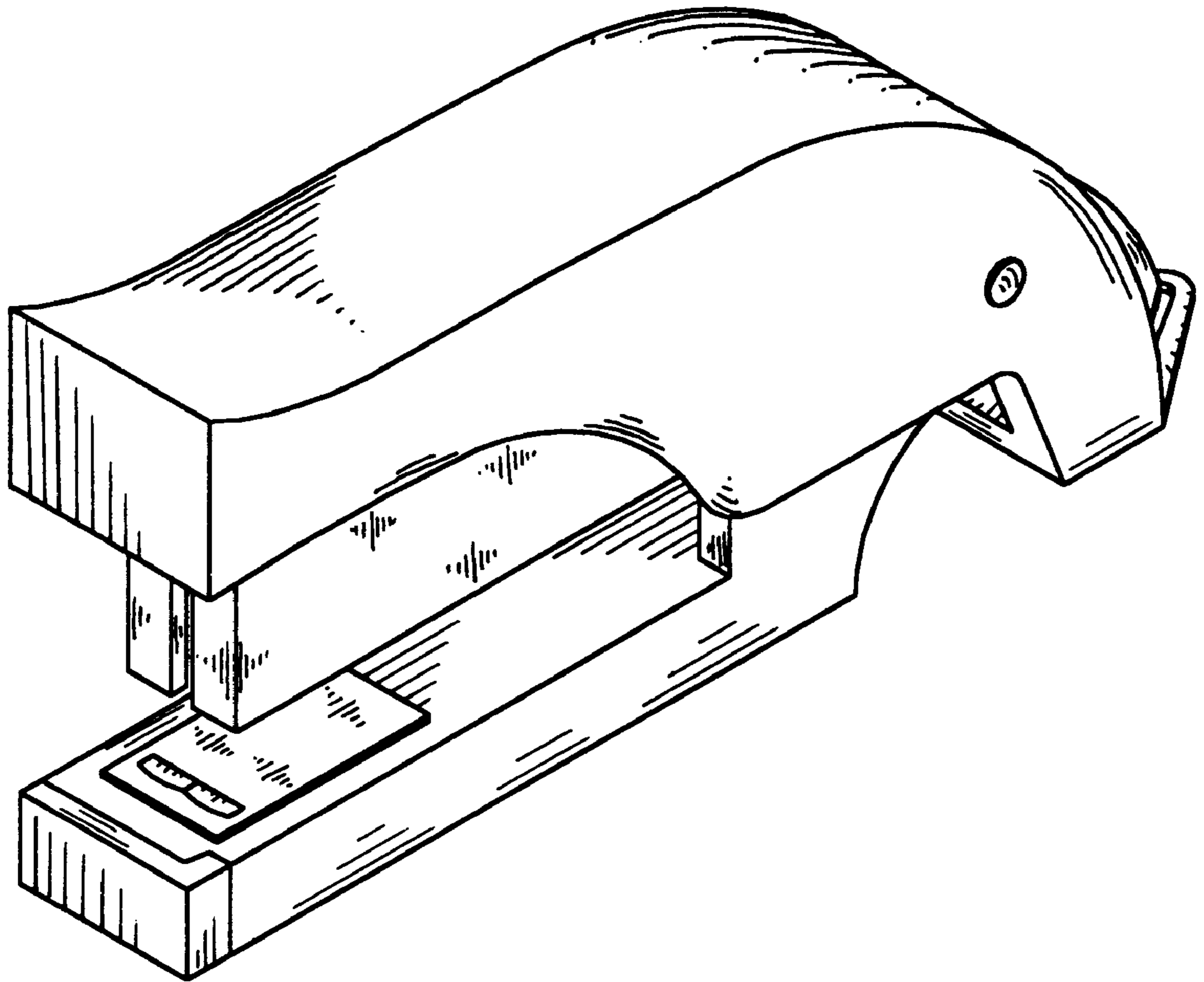


FIG. 7