



US00D426117S

**United States Patent** [19]  
**Howitt**

[11] **Patent Number: Des. 426,117**  
[45] **Date of Patent: \*\* Jun. 6, 2000**

[54] **EASEL SPICE RACK**

5,447,242 9/1995 Kelly et al. .... 211/128.1 X  
5,485,928 1/1996 Felton ..... 211/128.1 X

[75] Inventor: **Robert Howitt**, Leominster, Mass.

*Primary Examiner*—Terry A. Wallace  
*Attorney, Agent, or Firm*—Robert A. Koons, Jr.; James W. Bolcsak; Pepper Hamilton LLP

[73] Assignee: **M. Kamenstein, Inc.**, Elmsford, N.Y.

[\*\*] Term: **14 Years**

[57] **CLAIM**

[21] Appl. No.: **29/104,894**

The ornamental design for an easel spice rack, as shown and described.

[22] Filed: **May 13, 1999**

**DESCRIPTION**

[51] **LOC (7) Cl.** ..... **07-06**

[52] **U.S. Cl.** ..... **D7/701; D7/590**

[58] **Field of Search** ..... D7/590, 701, 704,  
D7/707, 708; D6/449, 459, 460, 473, 474;  
211/55, 74, 60.1, 71.01, 126.12, 128.1,  
189

FIG. 1 is a perspective view of an easel spice rack showing my new design, with the broken lines showing matter for illustrative purposes only and forming no part of the claimed design;

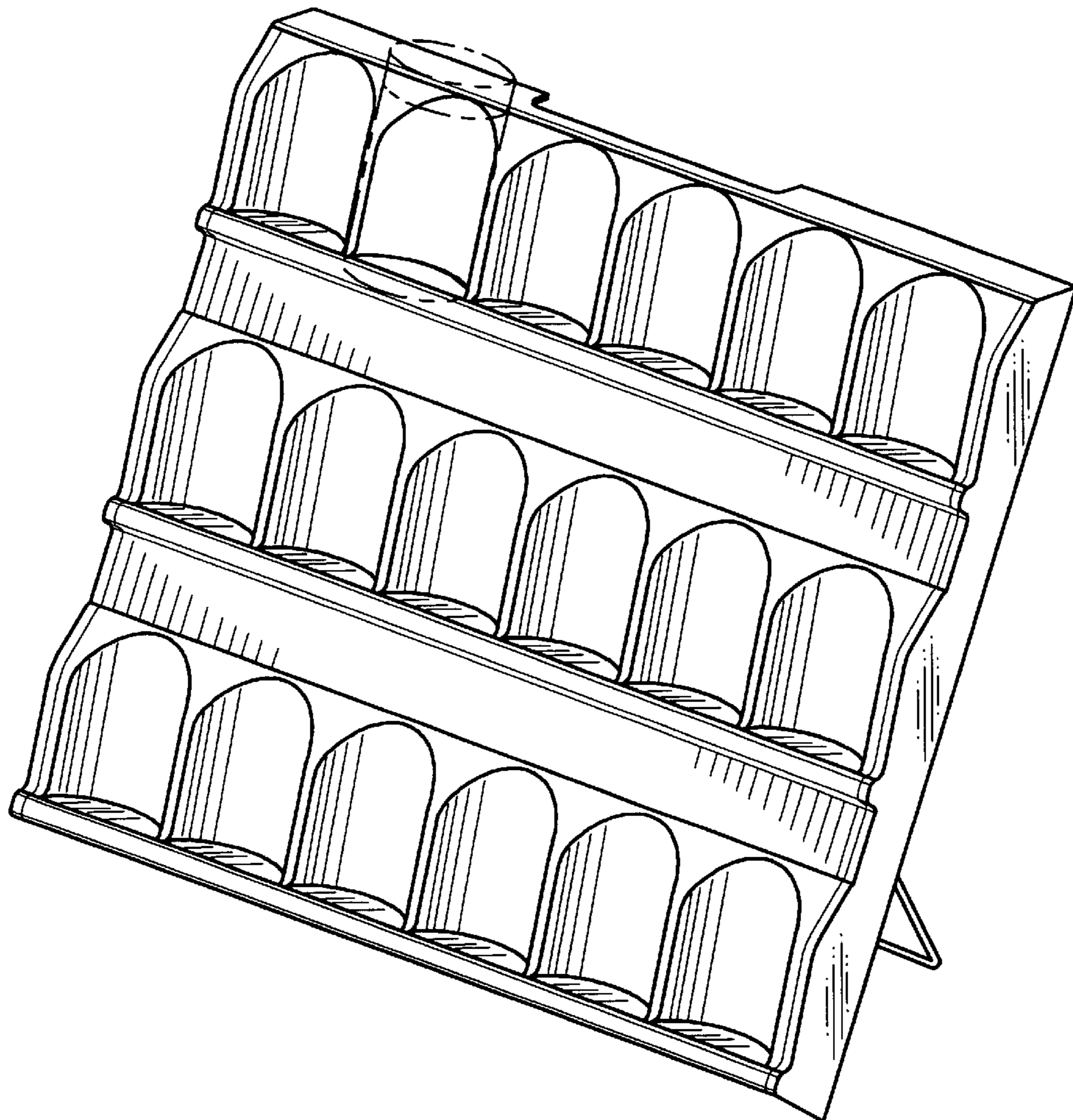
FIG. 2 is a front elevational view of the easel spice rack;  
FIG. 3 is a rear elevational view of the easel spice rack;  
FIG. 4 is a top plan view of the easel spice rack;  
FIG. 5 is a right side elevational view of the easel spice rack;  
FIG. 6 is a left side elevational view of the easel spice rack;  
and,  
FIG. 7 is a bottom plan view of the easel spice rack.

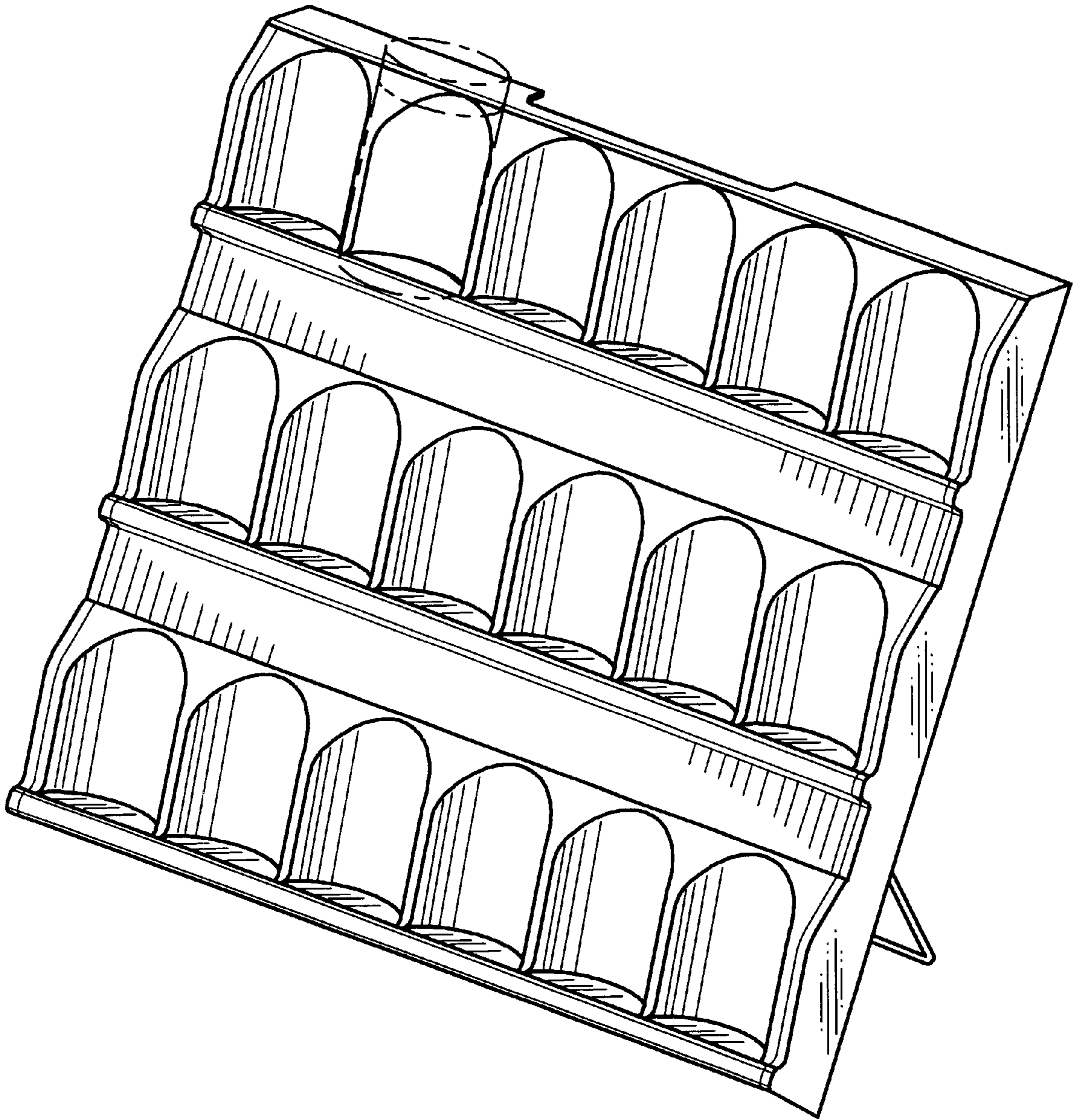
[56] **References Cited**

**U.S. PATENT DOCUMENTS**

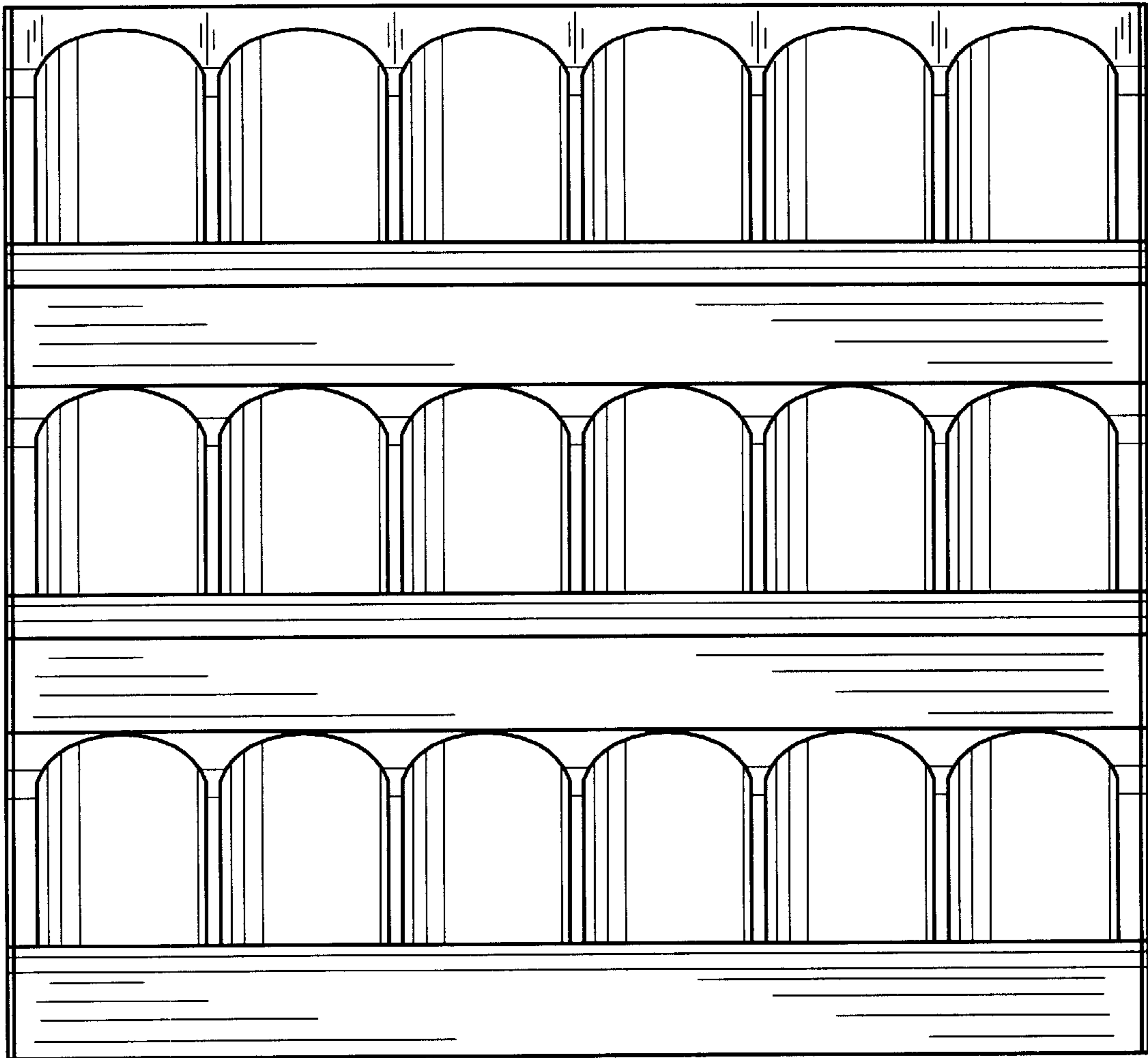
D. 105,199	7/1937	Cheney	.....	D7/701	X
D. 341,995	12/1993	Menashe	.....	D7/701	
731,710	6/1903	Renken	.....	211/74	
1,303,185	5/1919	Eighling, Jr.	.....	211/128.1	

**1 Claim, 7 Drawing Sheets**

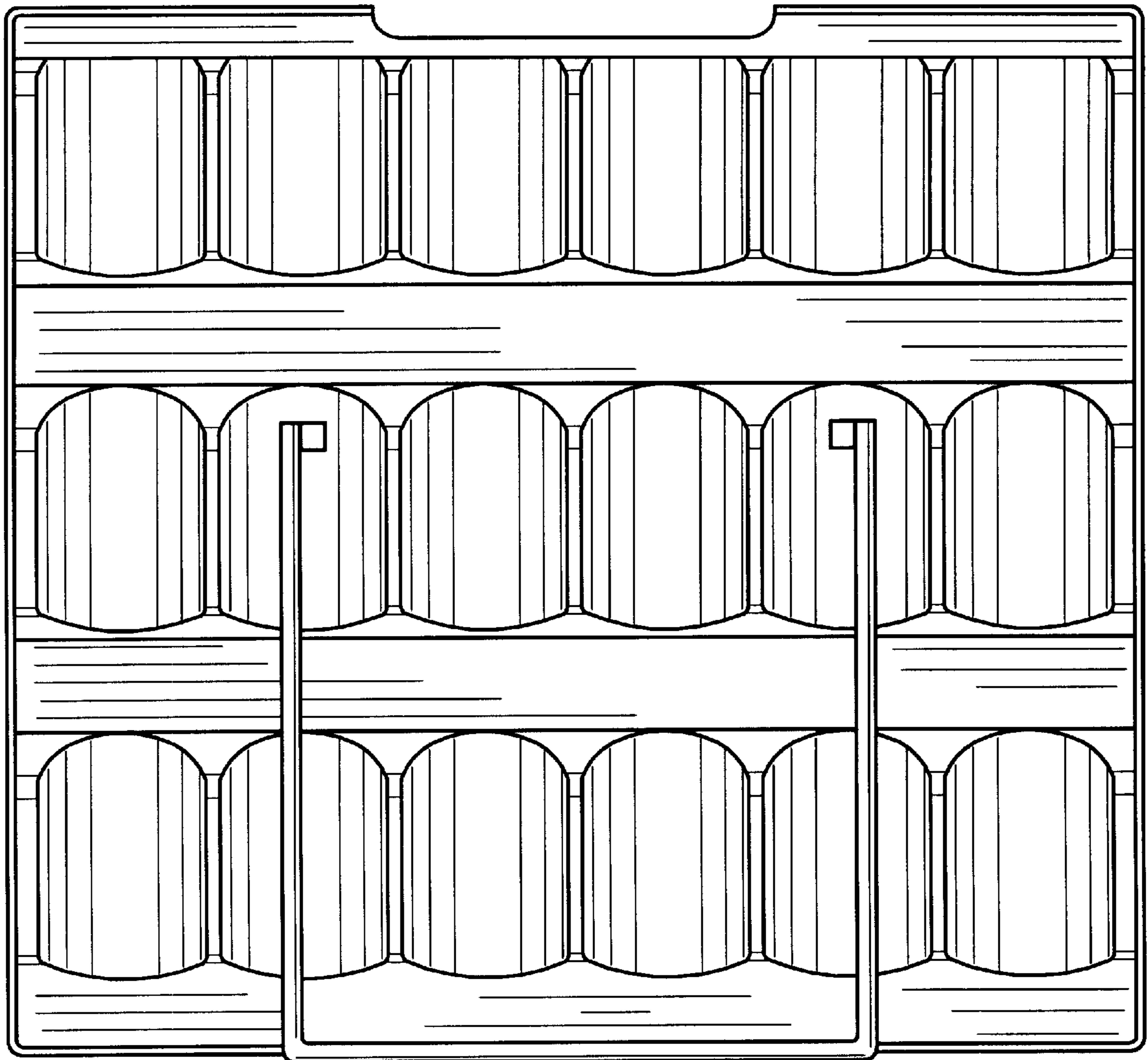




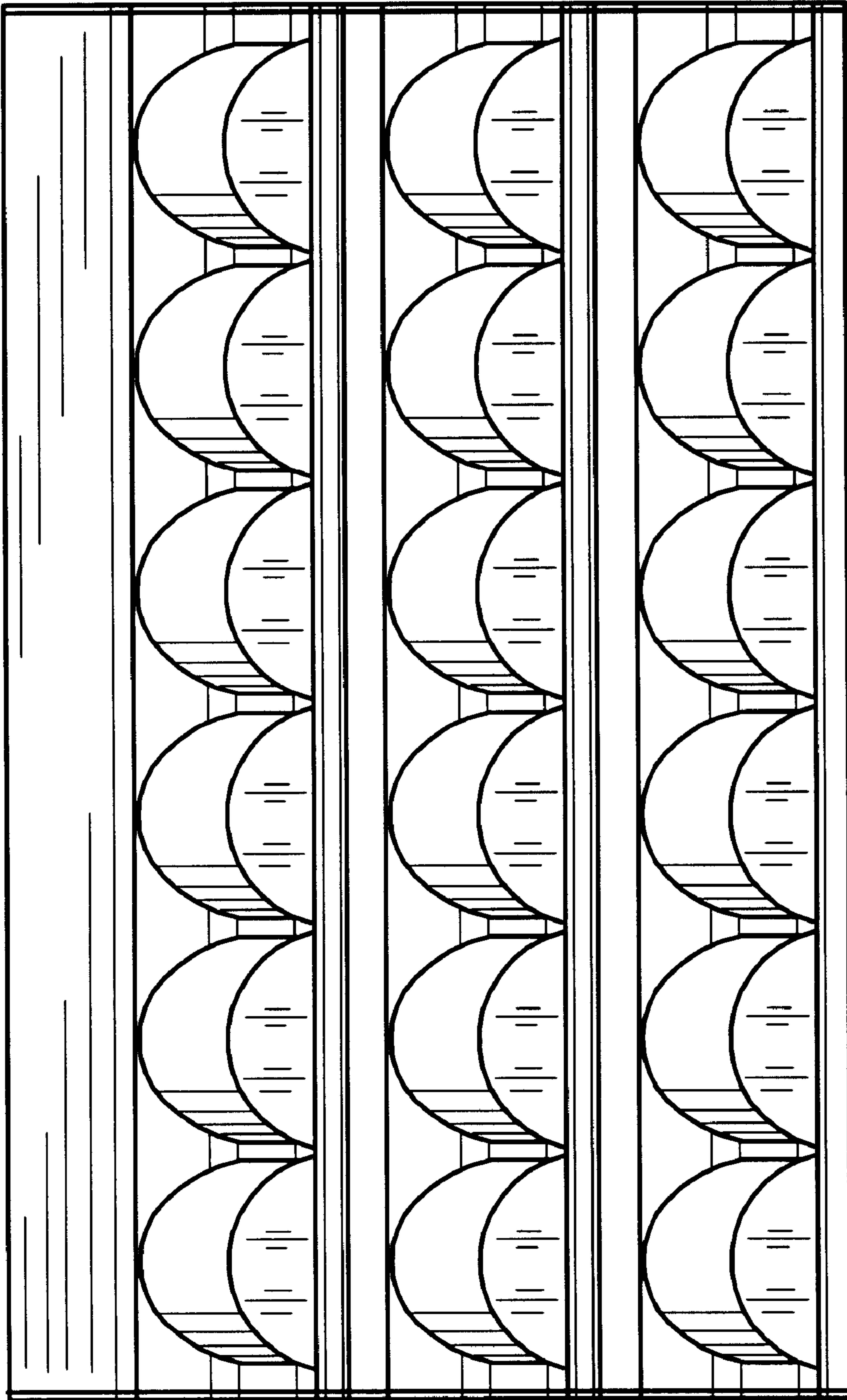
*Fig. 1*



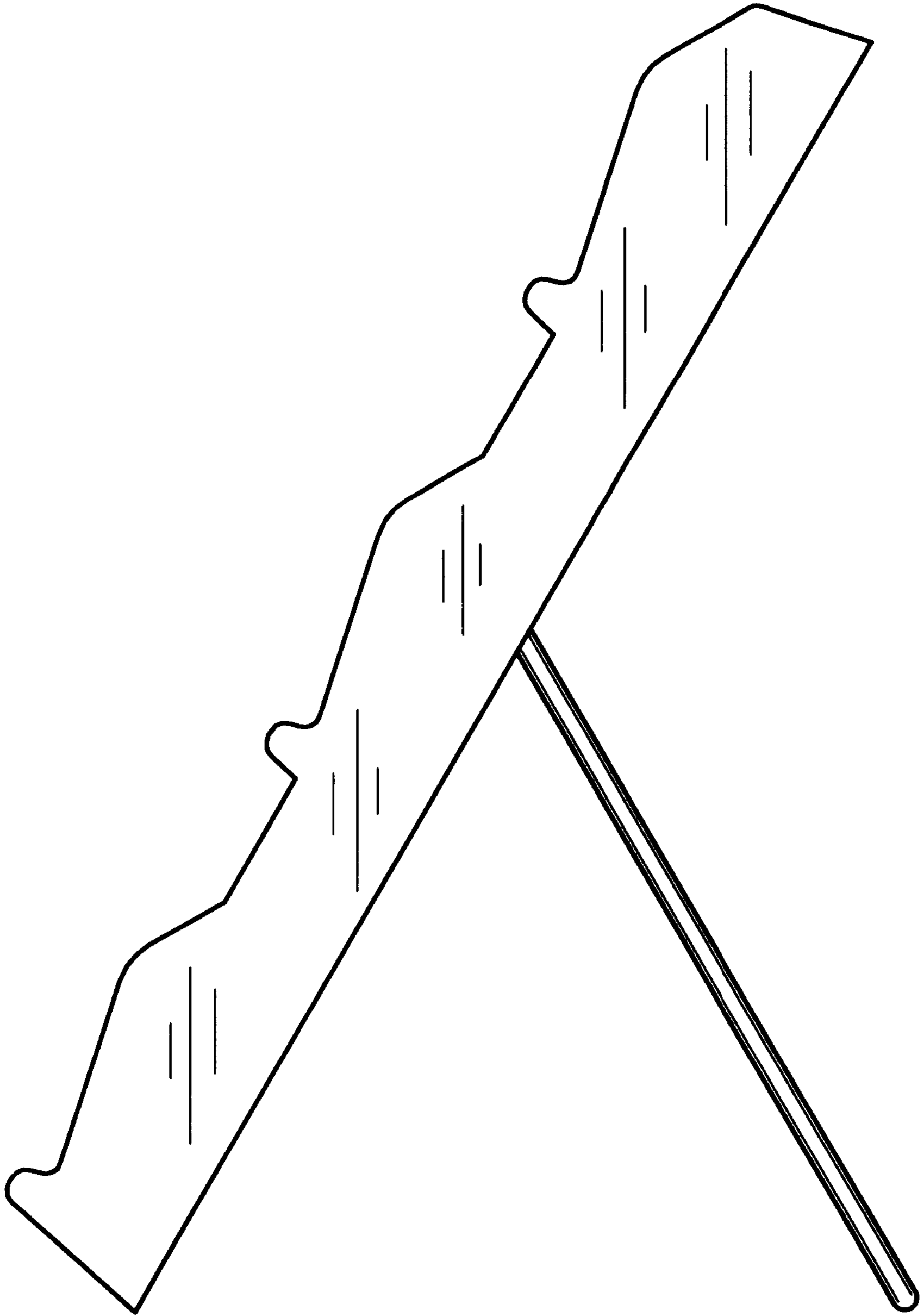
*Fig. 2*



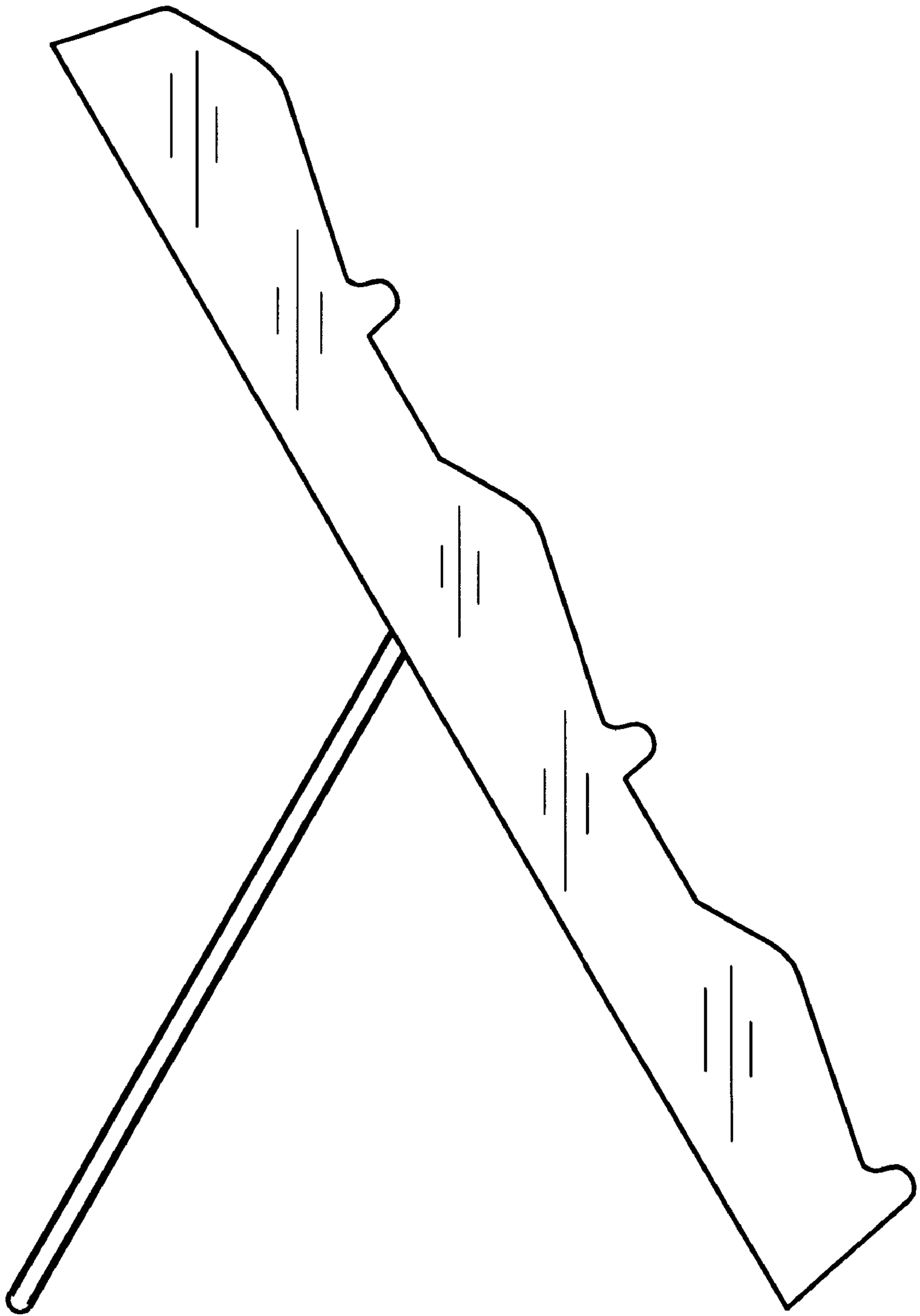
*Fig. 3*



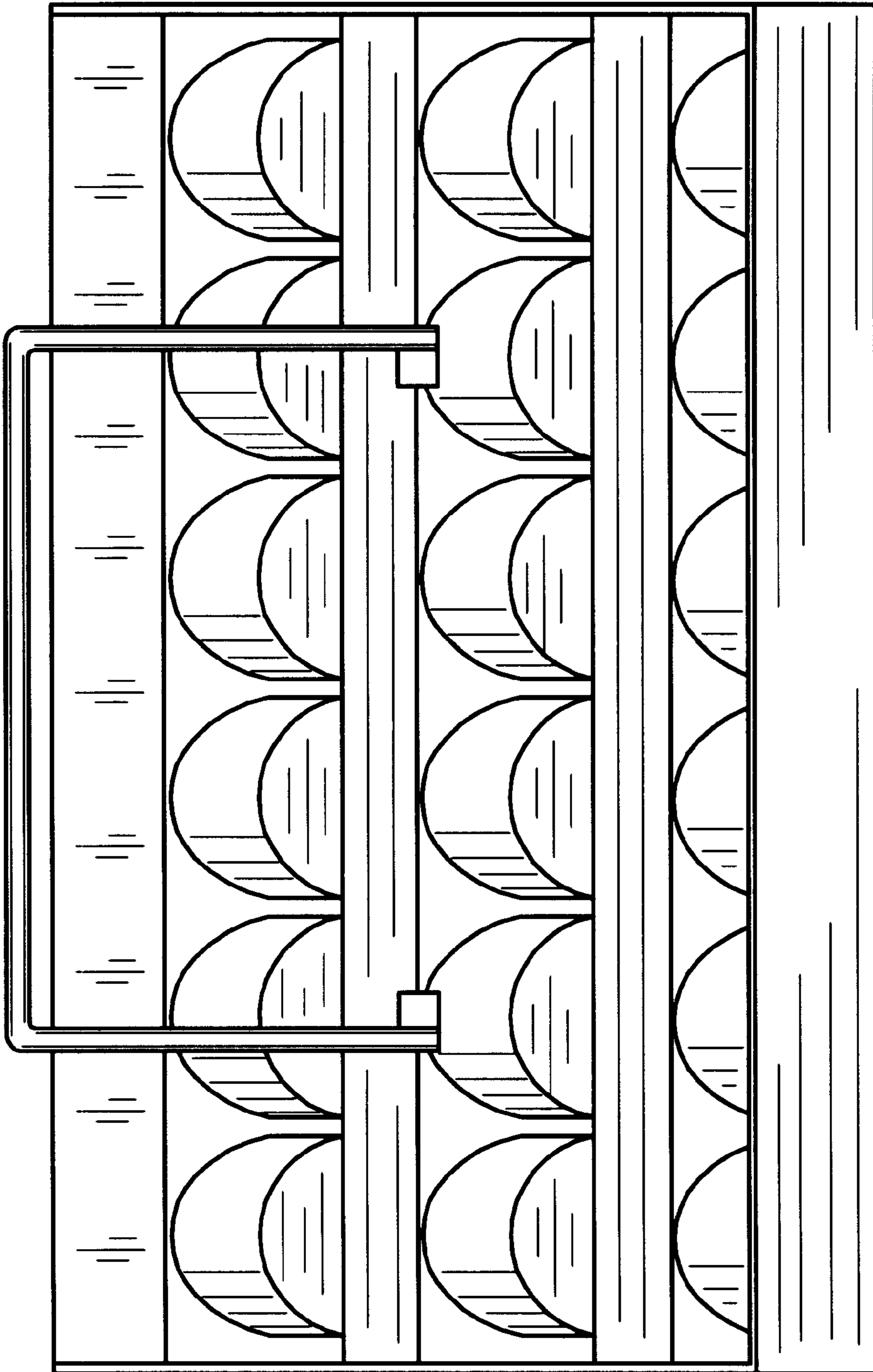
*Fig. 4*



*Fig. 5*



*Fig. 6*



*Fig. 7*