



US00D426111S

United States Patent [19]
Marquez

[11] **Patent Number: Des. 426,111**
[45] **Date of Patent: ** Jun. 6, 2000**

[54] **COMBINED COOLER AND SEAT**

D. 340,167 10/1993 Kahl D7/605
5,435,642 7/1995 Kennedy 312/235.2
5,727,844 3/1998 O'Quinn et al. 297/217.1

[76] Inventor: **Ramon Marquez**, 4650 W. Oakey
Blvd. #2243, Las Vegas, Nev. 89102

[**] Term: **14 Years**

Primary Examiner—Terry A. Wallace
Attorney, Agent, or Firm—Goldstein & Canino

[21] Appl. No.: **29/111,001**

[57] **CLAIM**

[22] Filed: **Sep. 17, 1999**

The ornamental design for a combined cooler and seat, as shown and described.

[51] **LOC (7) Cl.** **07-07**

DESCRIPTION

[52] **U.S. Cl.** **D7/605**

[58] **Field of Search** D7/605; D6/349,
D6/351, 352; 62/371, 457.1, 457.7; 220/592.2,
592.24–592.27, 915.1, 915.2; 312/235.2;
297/188.11, 188.13

FIG. 1 is a diagrammatic perspective view of a combined cooler and seat.

FIG. 2 is a front elevational view thereof.

FIG. 3 is a rear elevational view thereof.

FIG. 4 is a right side elevational view thereof.

FIG. 5 is a left side elevational view thereof.

FIG. 6 is a top plan view of the combined cooler and seat; and,

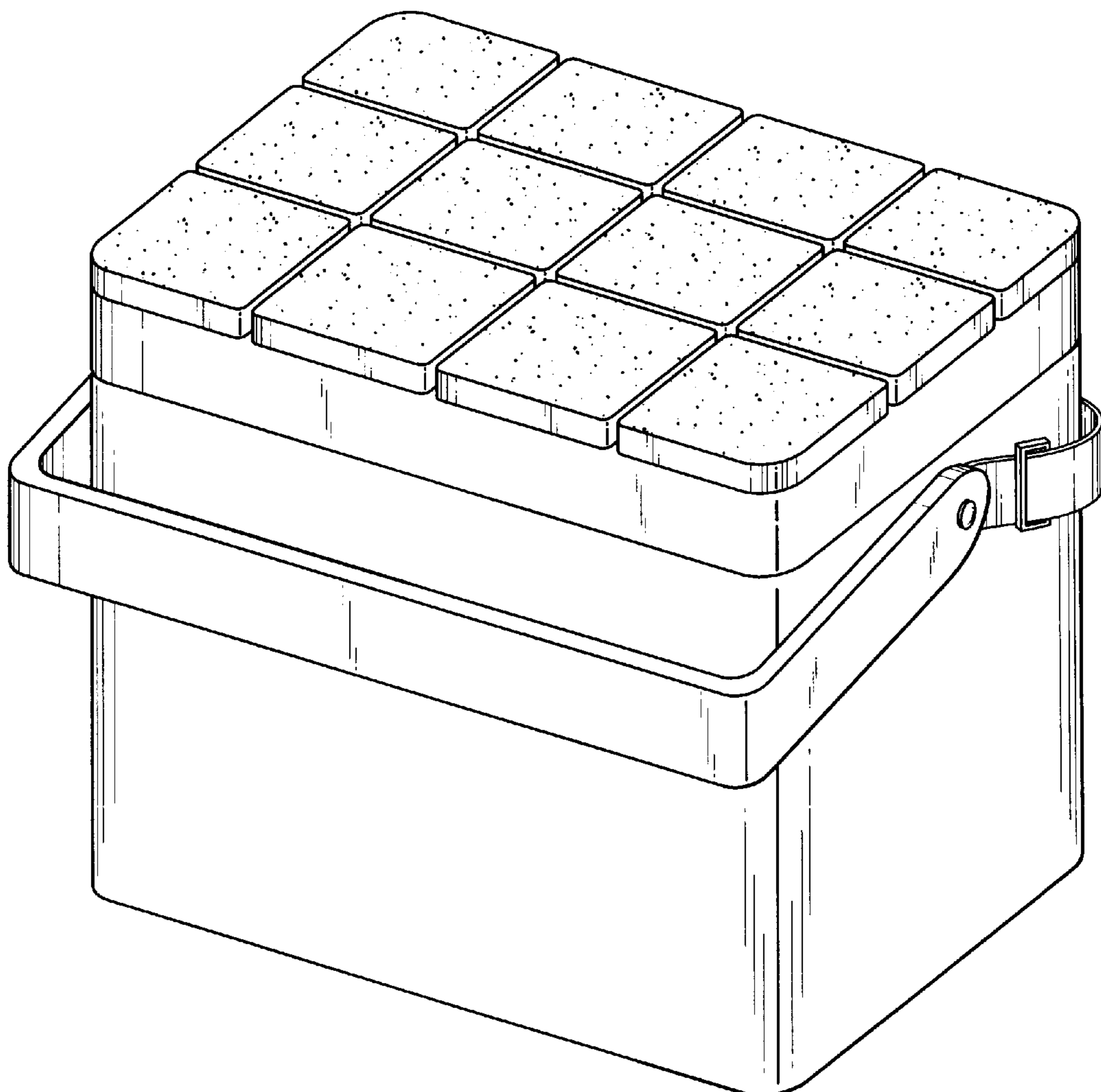
FIG. 7 is a bottom plan view thereof.

[56] **References Cited**

U.S. PATENT DOCUMENTS

D. 267,444 1/1983 Ruxton D7/605 X
D. 286,252 10/1986 Goodwin D7/605
D. 323,267 1/1992 Bidwell D7/606

1 Claim, 4 Drawing Sheets



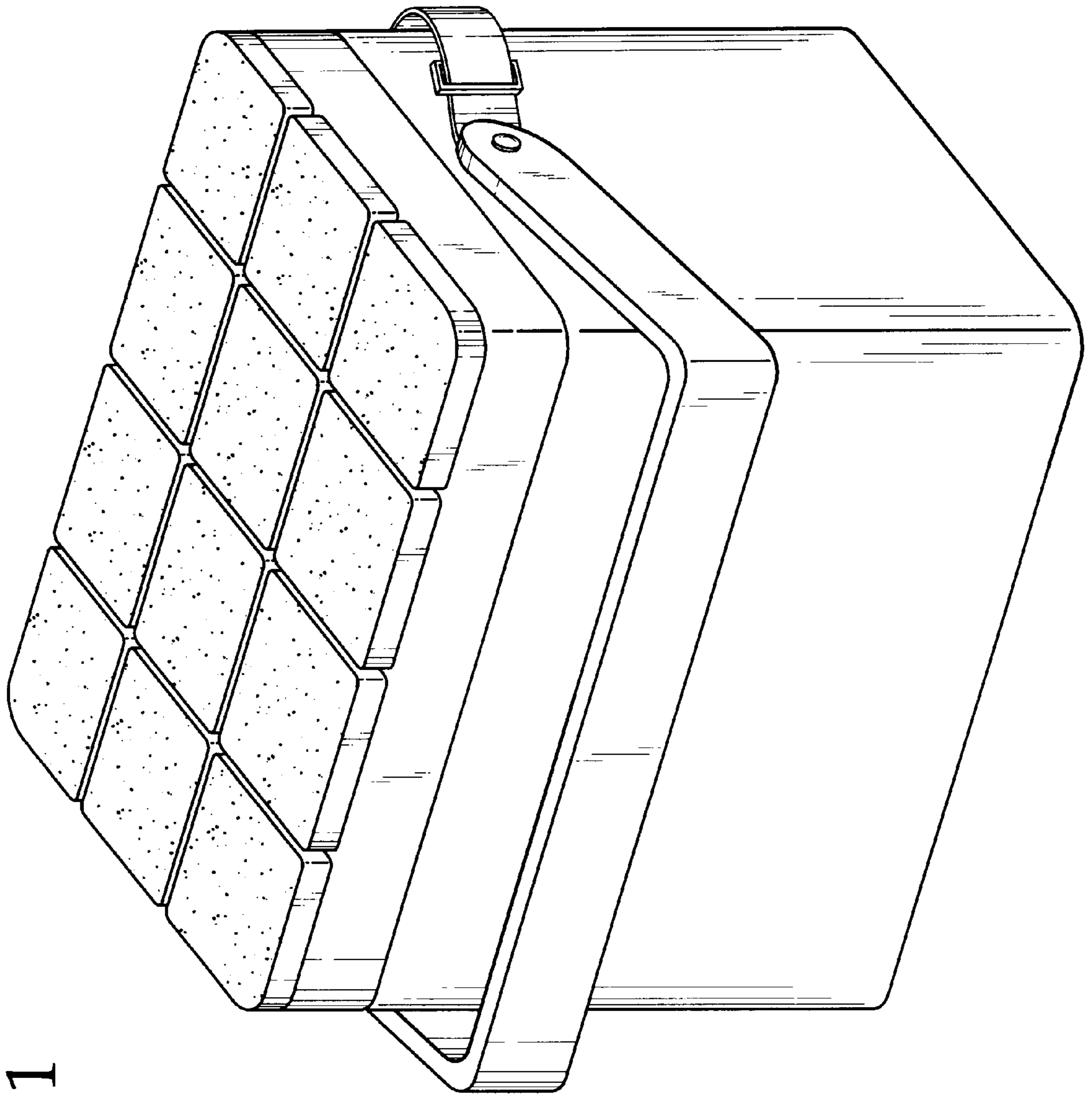


FIG. 1

FIG. 2

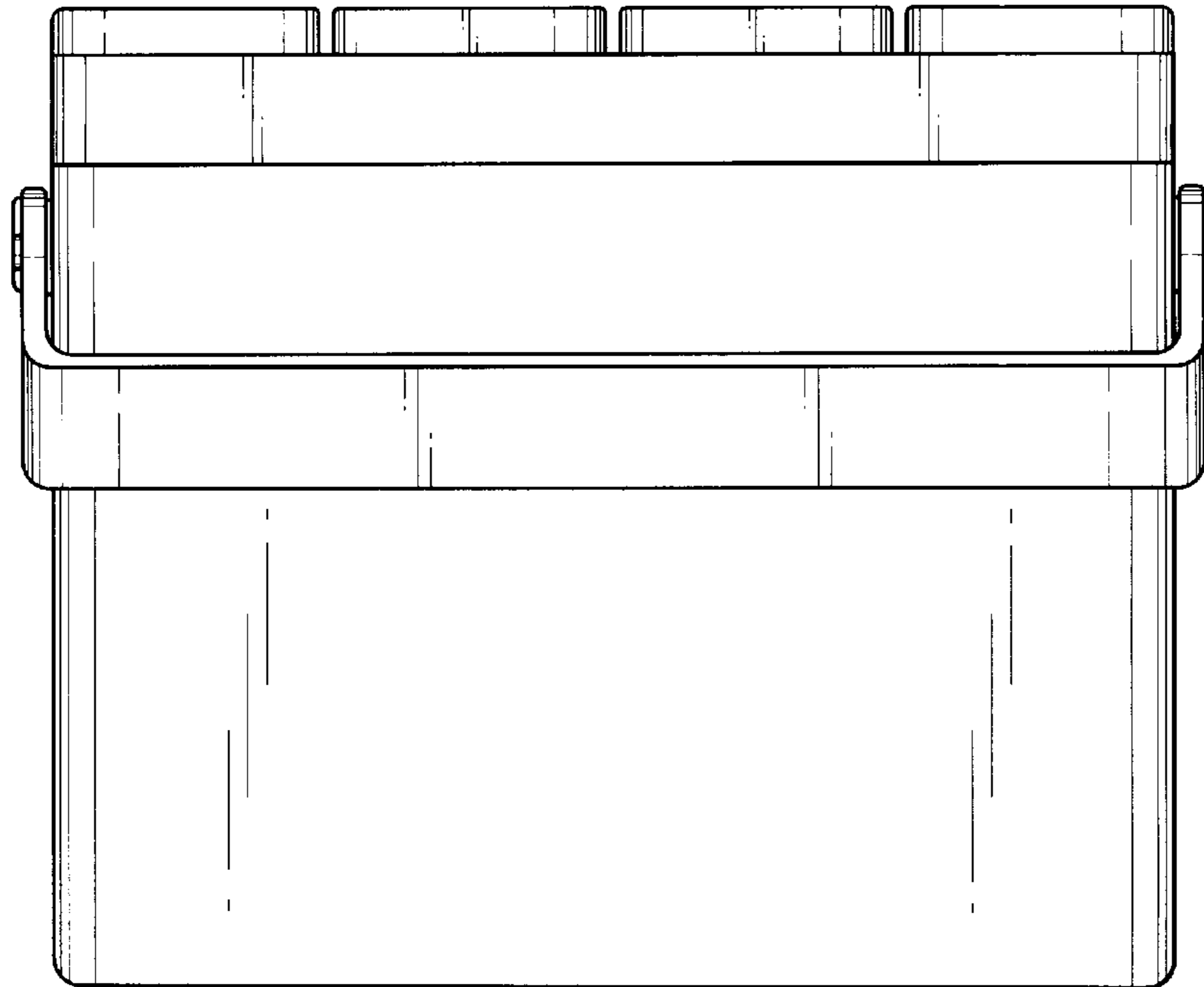


FIG. 3

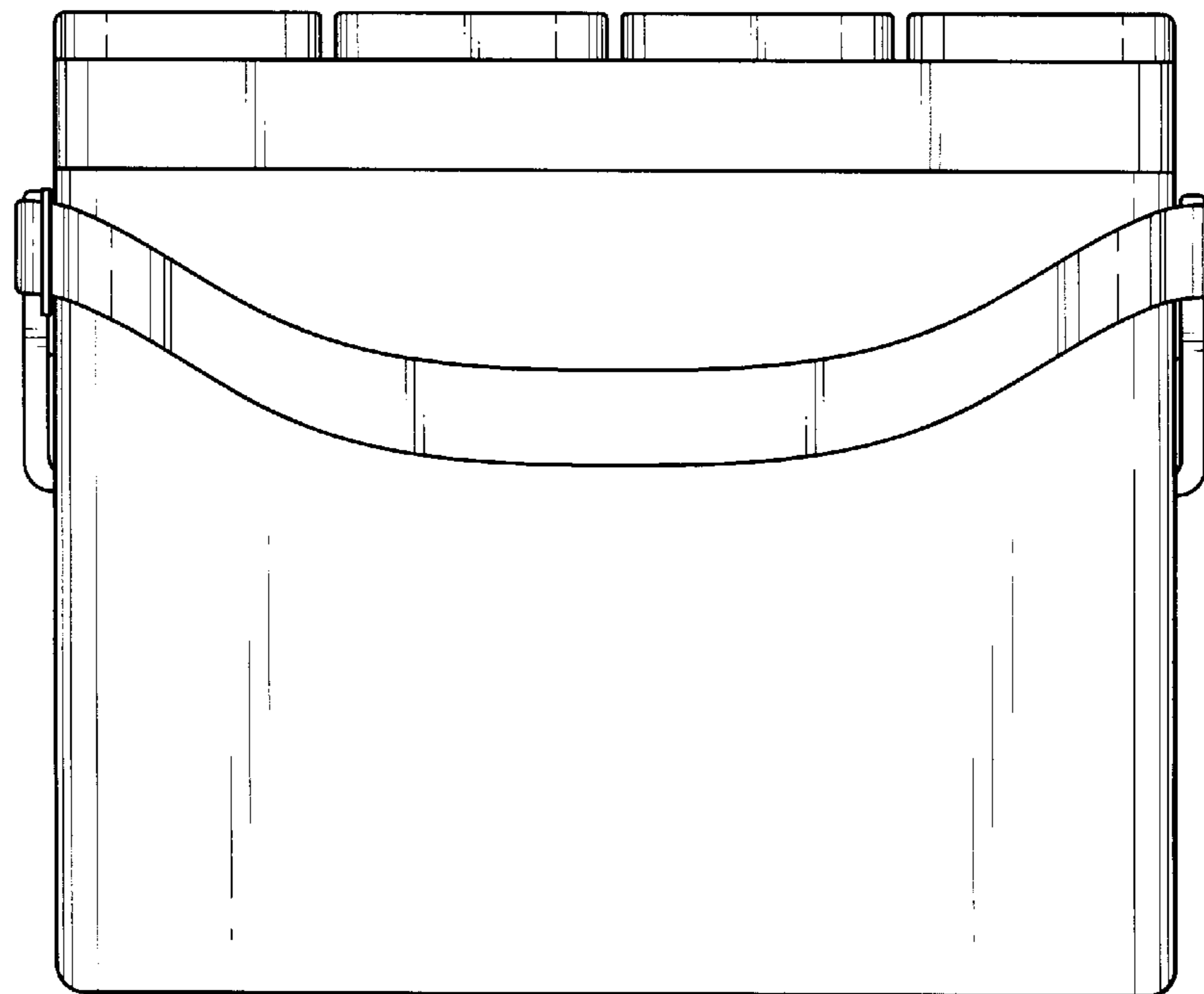


FIG. 4

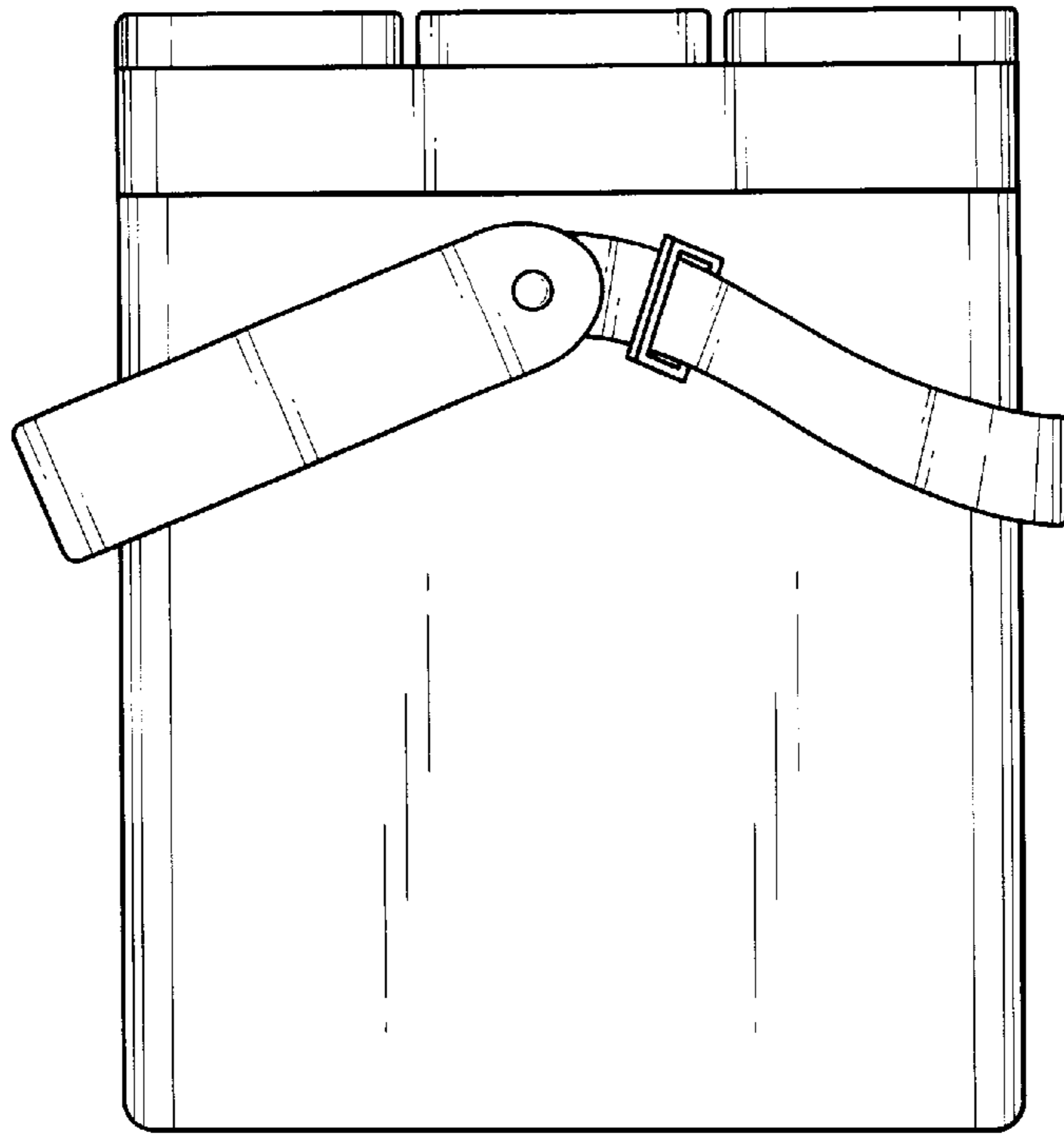
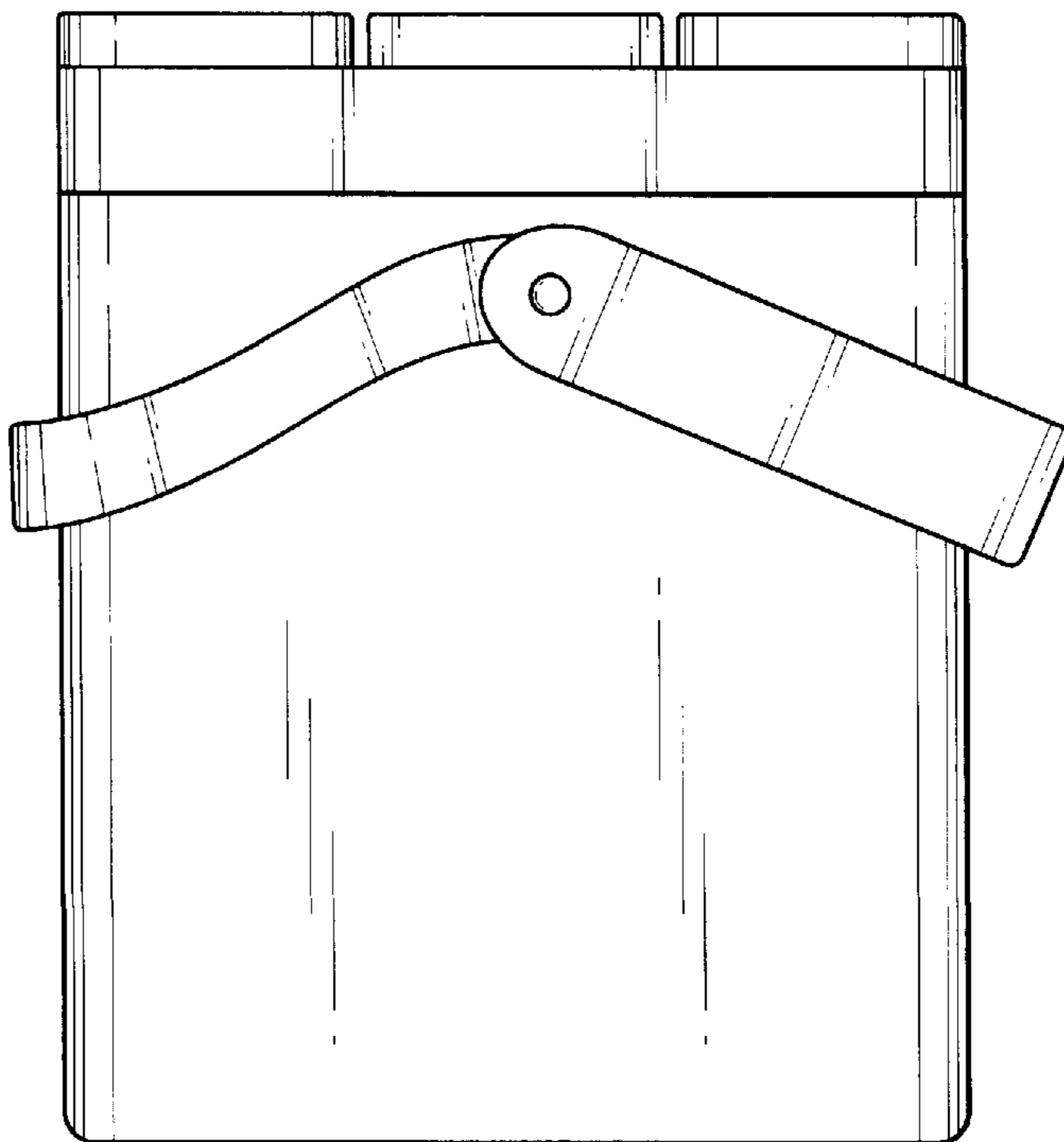


FIG. 5



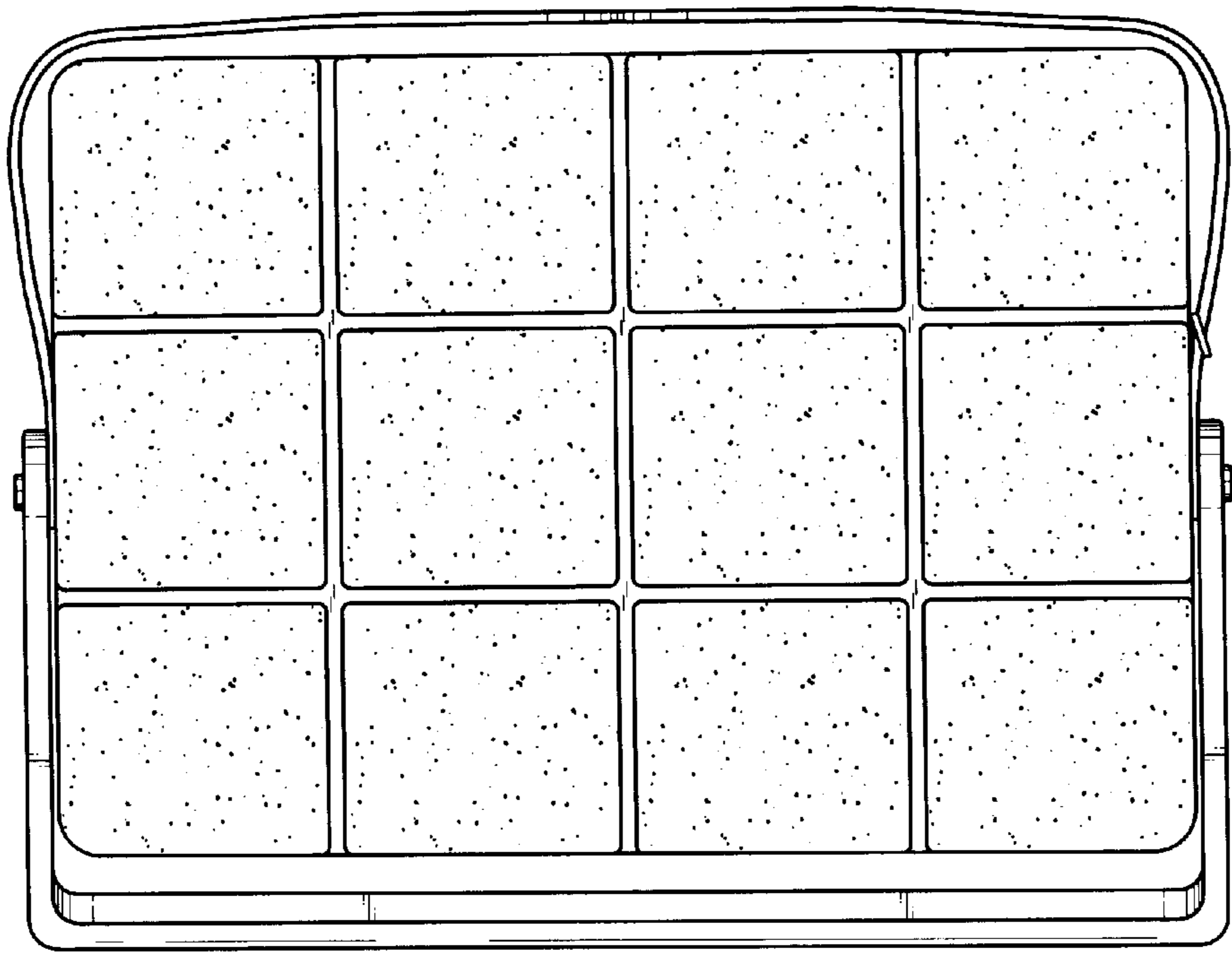


FIG. 6

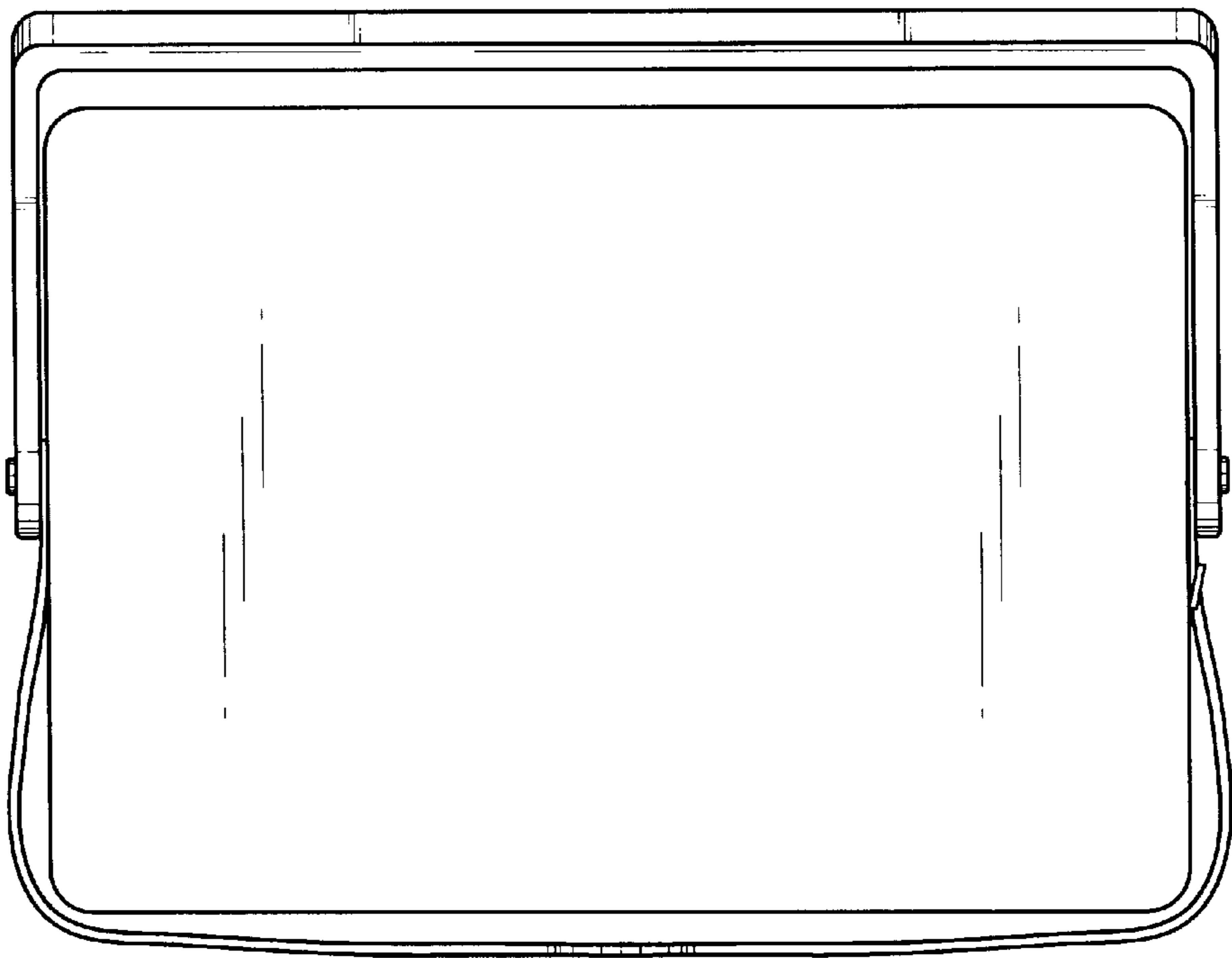


FIG. 7