



US00D426110S

United States Patent [19] Schmidt

[11] **Patent Number: Des. 426,110**
[45] **Date of Patent: ** Jun. 6, 2000**

[54] **NON-SPILL PARTY PLATE**
[76] Inventor: **Norbert T. Schmidt**, 1006 Nokomis St., Alexandria, Minn. 56308
[**] Term: **14 Years**
[21] Appl. No.: **29/093,937**
[22] Filed: **Sep. 22, 1998**

D. 352,204 11/1994 Hayes et al. D7/553.6
D. 363,857 11/1995 Sussman D7/555 X
D. 366,395 1/1996 Wyatt et al. D7/555 X
D. 368,409 4/1996 Schwartz D7/555 X
D. 399,095 10/1998 Schmidt D7/553.4
1,595,356 8/1926 Moseman D7/553.4
4,732,274 3/1988 Bouton 220/23.83
5,207,743 5/1993 Costarella et al. 220/575 X
5,497,885 3/1996 Sussman 220/575 X
5,678,694 10/1997 Tanaka et al. D7/533.4

Related U.S. Application Data

[63] Continuation-in-part of application No. 29/065,632, Jan. 31, 1997, Pat. No. Des. 399,095.
[51] **LOC (7) Cl.** **07-01**
[52] **U.S. Cl.** **D7/553.4; D7/553.3; D7/555; D7/549**
[58] **Field of Search** D7/571, 501, 505, D7/538, 540, 541, 542, 543, 545, 546, 549, 553.6, 553.7, 558, 555, 557, 562, 564, 565, 572, 576, 586, 608, 357, 360, 354, 361, 504, 611, 614, 552.1, 547, 629, 609, 553.1, 553.2, 553.3, 553.4, 553.5; 220/23.83, 23.8, 575, 574

Primary Examiner—M. N. Pandozzi

[57] CLAIM

The ornamental design for the non-spill party plate, as shown and described.

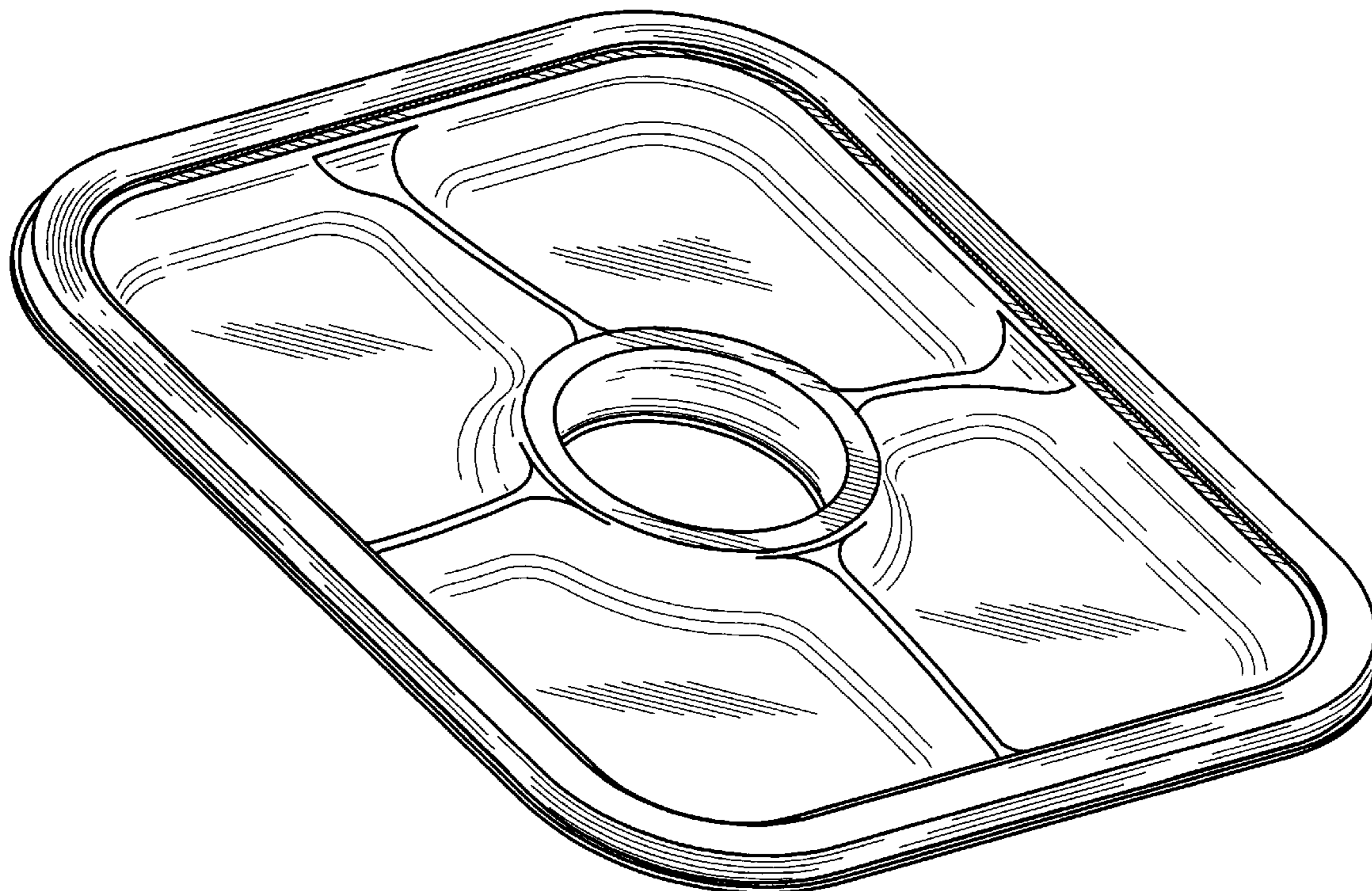
DESCRIPTION

FIG. 1 is a perspective view of a non-spill party plate showing my new design;
FIG. 2 is a front elevational view thereof;
FIG. 3 is a rear elevational view thereof;
FIG. 4 is a left side elevational view thereof;
FIG. 5 is a right side elevational view thereof;
FIG. 6 is a top plan view thereof;
FIG. 7 is a bottom plan view thereof;
FIG. 8 is a transverse cross-sectional view thereof taken along line 8—8 of FIG. 6; and,
FIG. 9 is a transverse cross-sectional view thereof taken along line 9—9 of FIG. 6.

[56] References Cited U.S. PATENT DOCUMENTS

D. 185,911 8/1959 Chadbourne D7/553.2
D. 336,592 6/1993 DeGrow D7/396.1

1 Claim, 5 Drawing Sheets



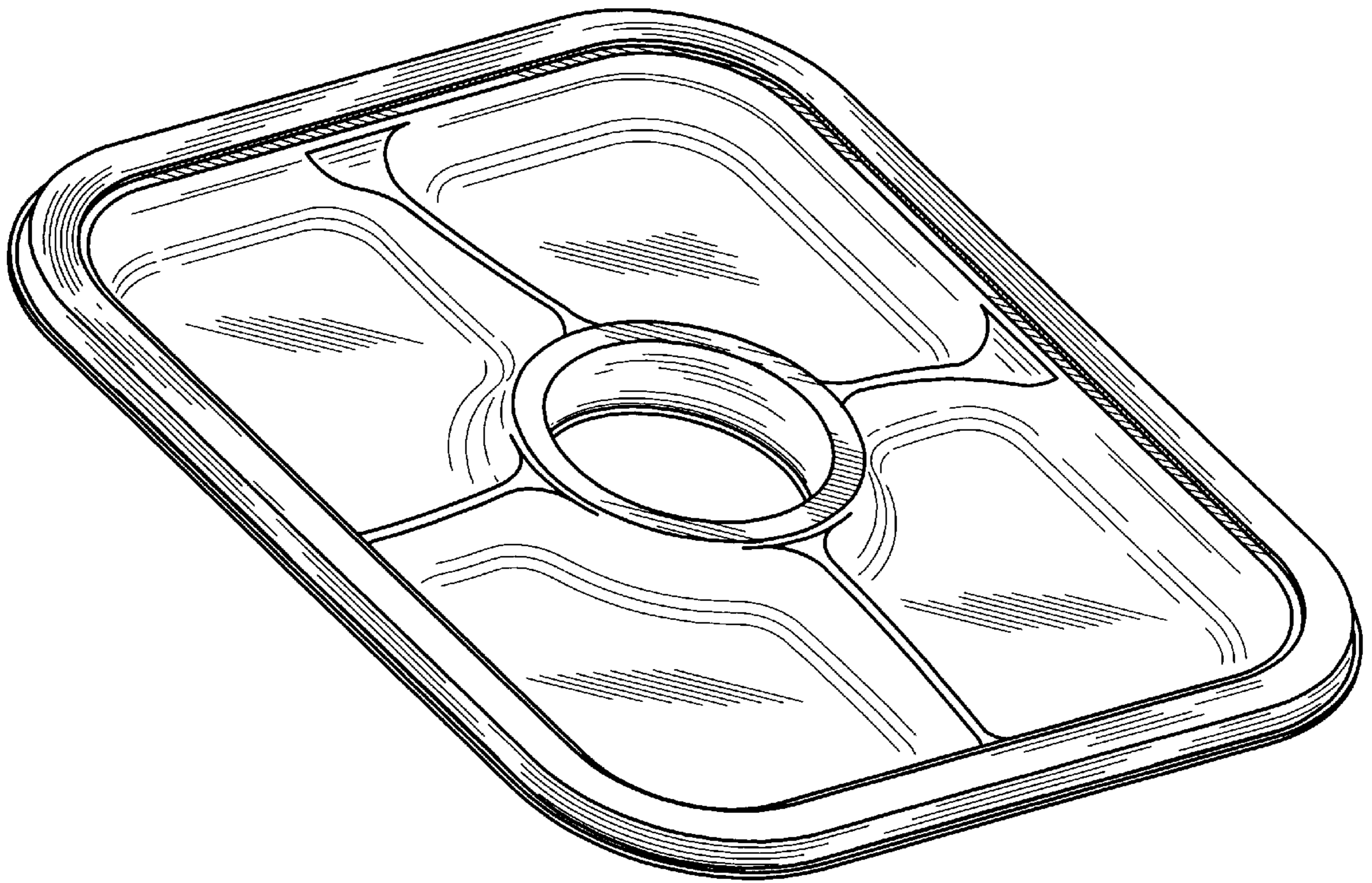


Fig. 1

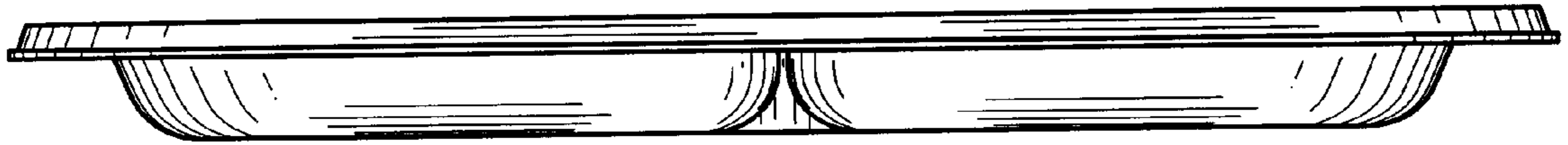


Fig. 2

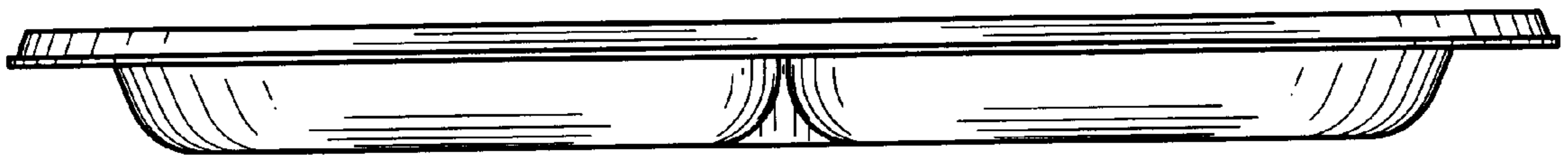


Fig. 3

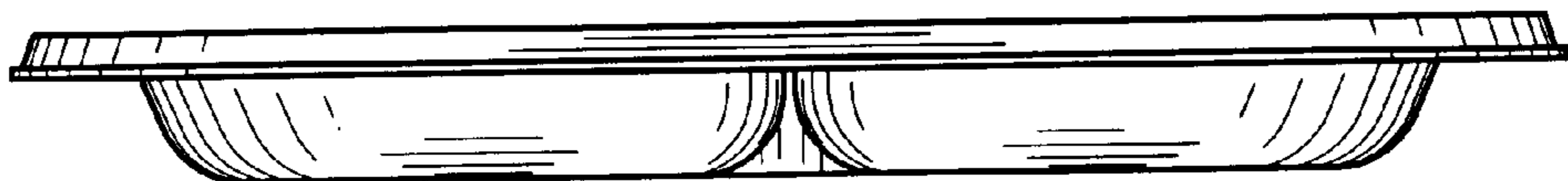


Fig. 4

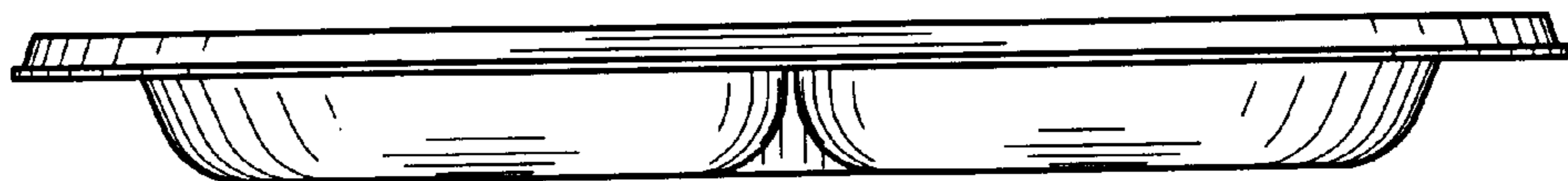


Fig. 5

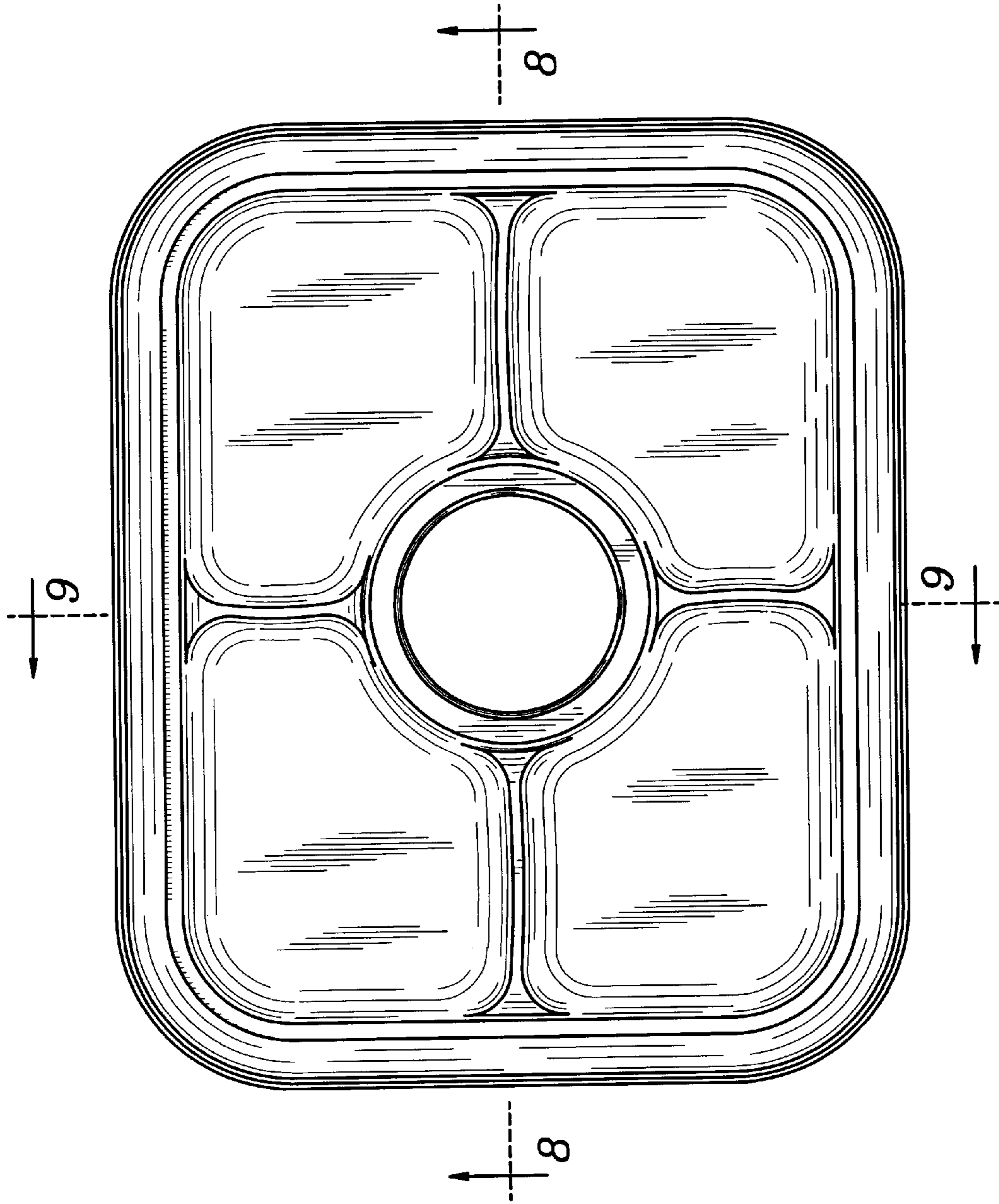


Fig. 6

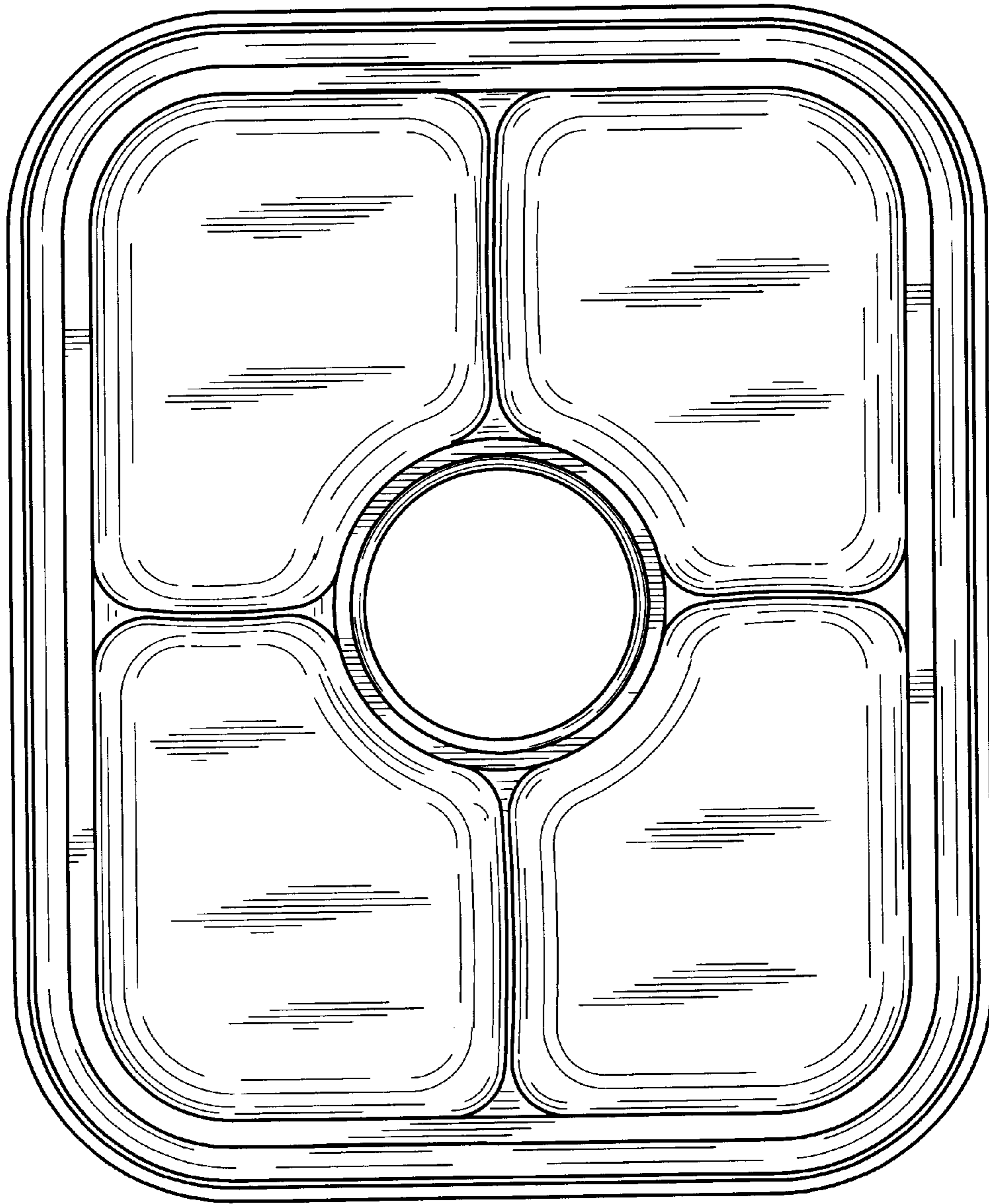


Fig. 7

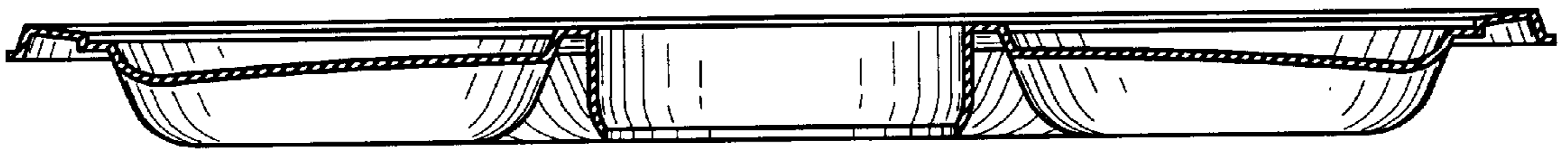


Fig. 8

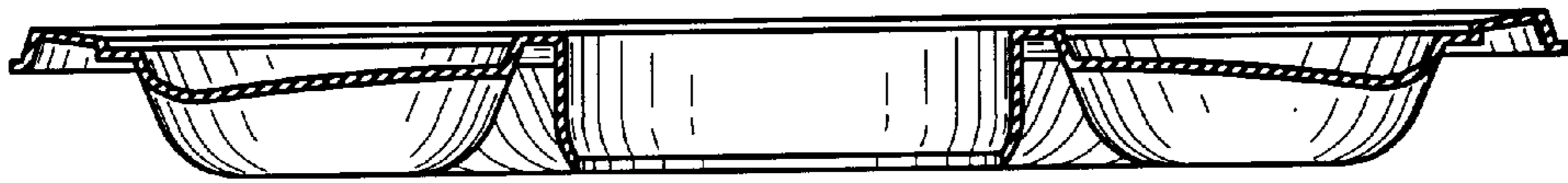


Fig. 9