



US00D426106S

United States Patent [19]

Endres

[11] Patent Number: Des. 426,106

[45] Date of Patent: ** Jun. 6, 2000

[54] TOASTER BASE PORTION

[75] Inventor: William S. Endres, Leawood, Kans.

[73] Assignee: Windmere Corporation, Miami Lakes, Fla.

[**] Term: 14 Years

[21] Appl. No.: 29/094,675

[22] Filed: Oct. 7, 1998

[51] LOC (7) Cl. 07-02

[52] U.S. Cl. D7/390; D7/330

[58] Field of Search D7/323, 328-330, D7/390; 99/327, 328, 329 RT, 385, 389

[56] References Cited

U.S. PATENT DOCUMENTS

D. 155,009	8/1949	Huch	D7/330
D. 161,265	12/1950	Jepson	D7/330
D. 300,798	4/1989	Tow	D7/330
D. 362,992	10/1995	Alessi Anghini et al.	D7/330
D. 375,017	10/1996	Barrault	D7/330
D. 377,133	1/1997	Stutzer	D7/330
D. 384,541	10/1997	Pena Angarita	D7/330
D. 384,543	10/1997	Pena Angarita	D7/330
D. 393,773	4/1998	Copland	D7/330

Primary Examiner—Caron D. Veynar

Attorney, Agent, or Firm—Barry E. Deutsch

[57] CLAIM

The ornamental design for toaster base portion, as shown and described.

DESCRIPTION

FIG. 1 is a front, left side and top perspective view of a toaster base portion according to the present invention.

FIG. 2 is a front view of the toaster base portion of FIG. 1.

FIG. 3 is a left side view of the toaster base portion of FIG. 1.

FIG. 4 is a right side view of the toaster base portion of FIG. 1.

FIG. 5 is a rear view of the toaster base portion of FIG. 1.

FIG. 6 is a top view of the toaster base portion of FIG. 1.

FIG. 7 is a bottom view of the toaster base portion of FIG. 1.

FIG. 8 is a front, left side and top perspective view of a toaster base portion according to a second embodiment of the present invention.

FIG. 9 is a front view of the toaster base portion of FIG. 8.

FIG. 10 is a left side view of the toaster base portion of FIG. 8.

FIG. 11 is a right side view of the toaster base portion of FIG. 8.

FIG. 12 is a top view of the toaster base portion of FIG. 8.

FIG. 13 is a rear view of the toaster base portion of FIG. 8.

FIG. 14 is a bottom view of the toaster base portion of FIG. 8.

FIG. 15 is a front, left side and top perspective view of a toaster base portion according to a third embodiment of the present invention.

FIG. 16 is a front view of the toaster base portion of FIG. 15.

FIG. 17 is a right side view of the toaster base portion of FIG. 15.

FIG. 18 is a left side view of the toaster base portion of FIG. 15.

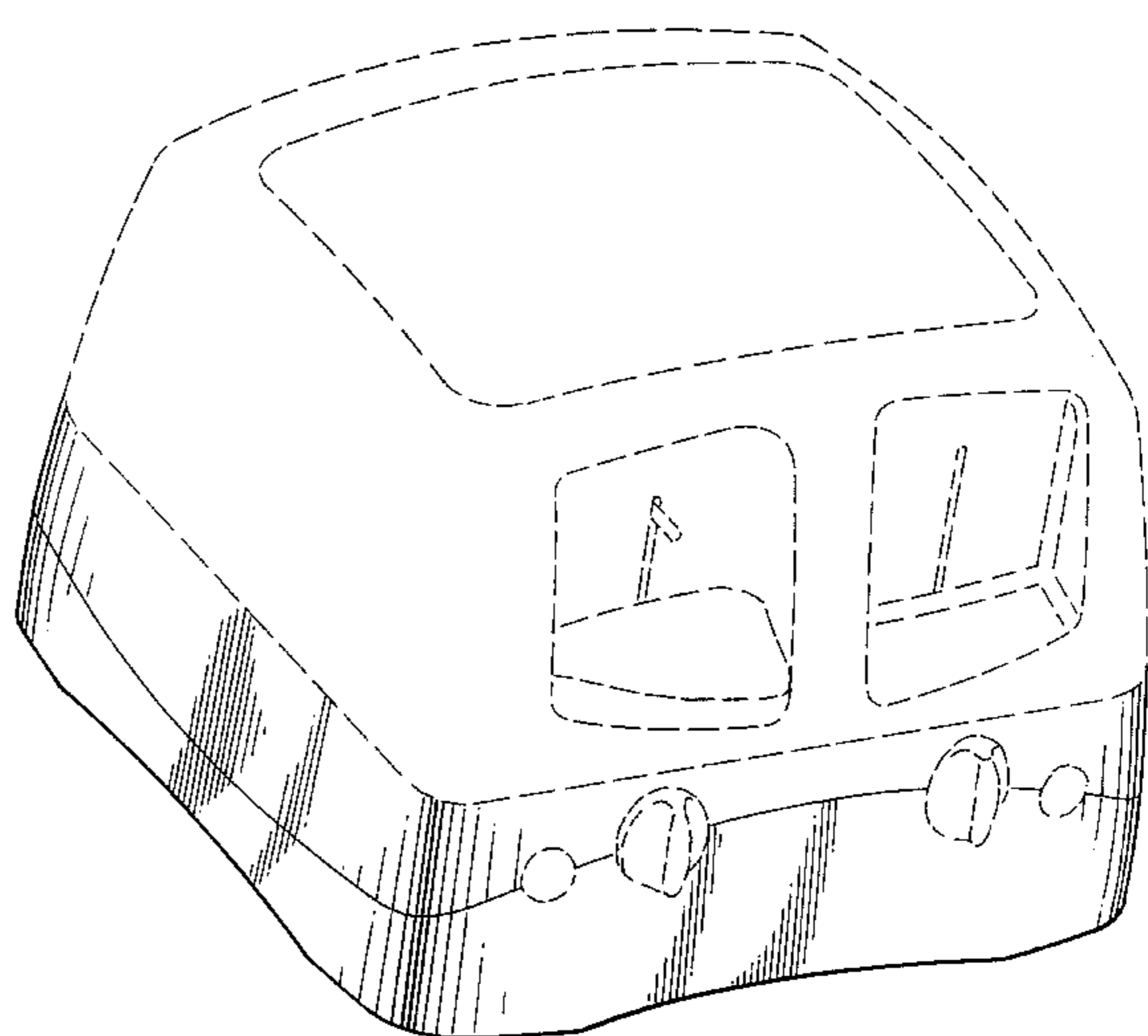
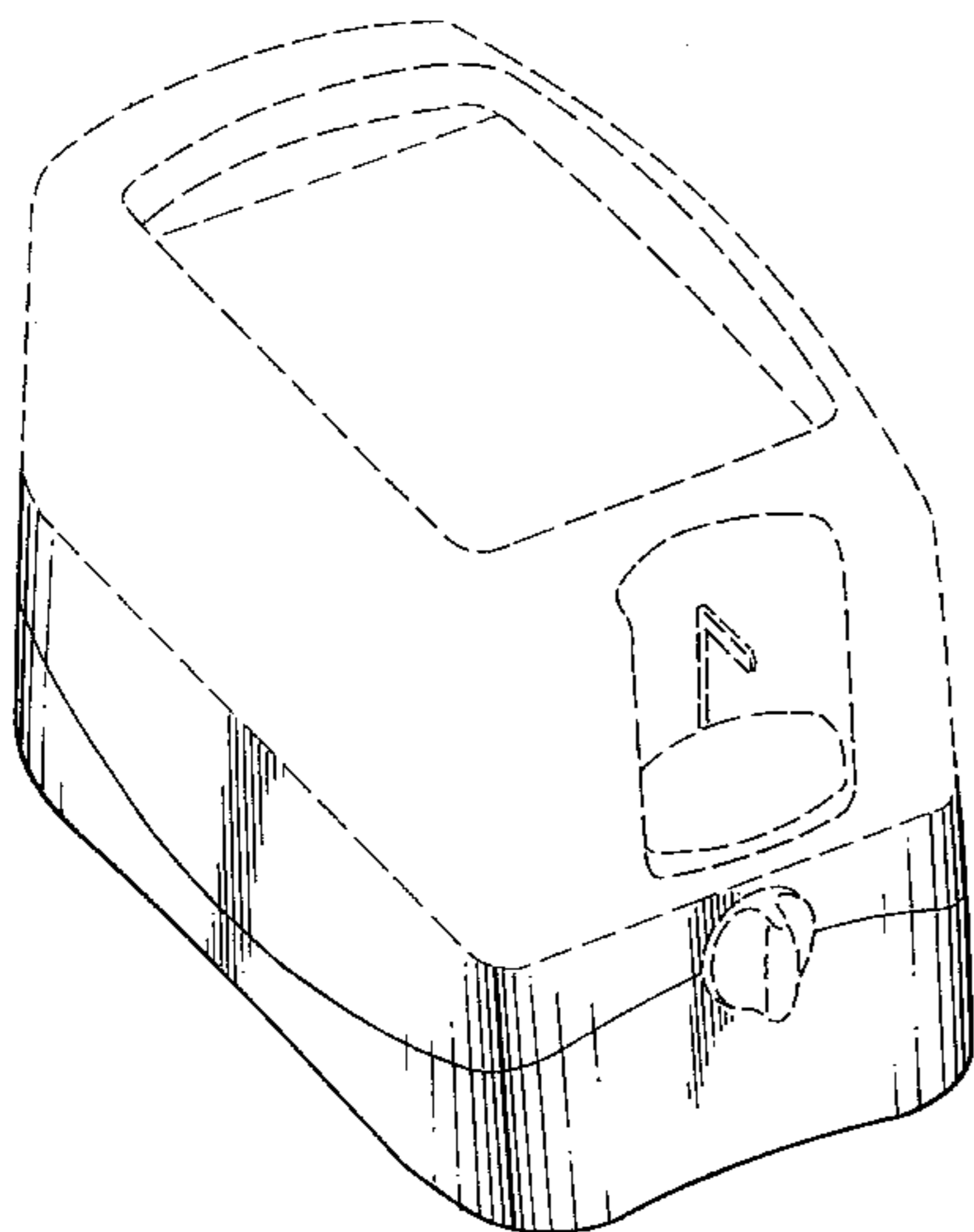
FIG. 19 is a rear view of the toaster base portion of FIG. 15.

FIG. 20 is a top view of the toaster base portion of FIG. 15; and,

FIG. 21 is a bottom view of the toaster base portion of FIG. 15.

The broken lines are provided in the drawings merely for illustrating the environment in which the invention is used. The broken lines do not form part of the design sought to be patented.

1 Claim, 14 Drawing Sheets



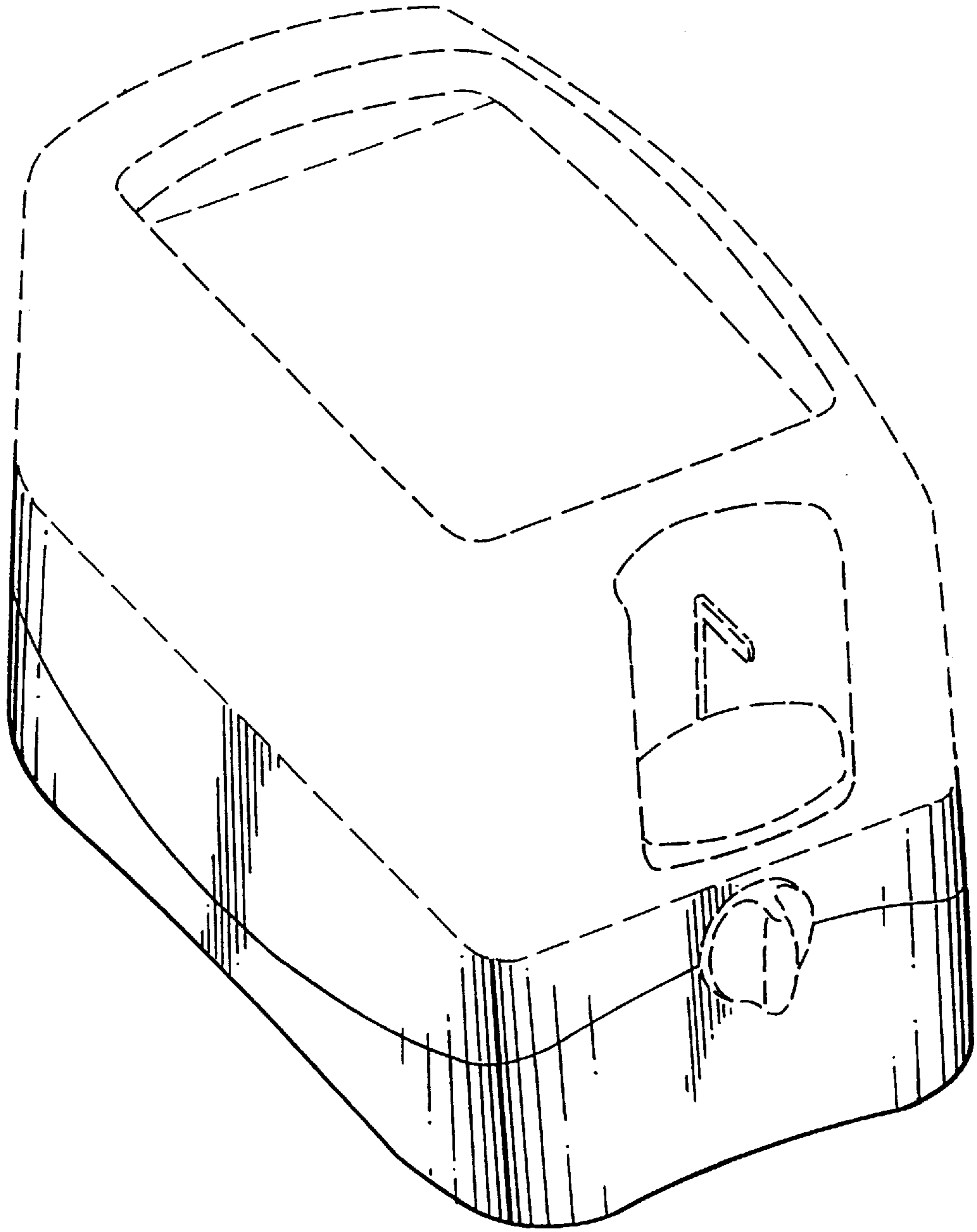


FIG. 1

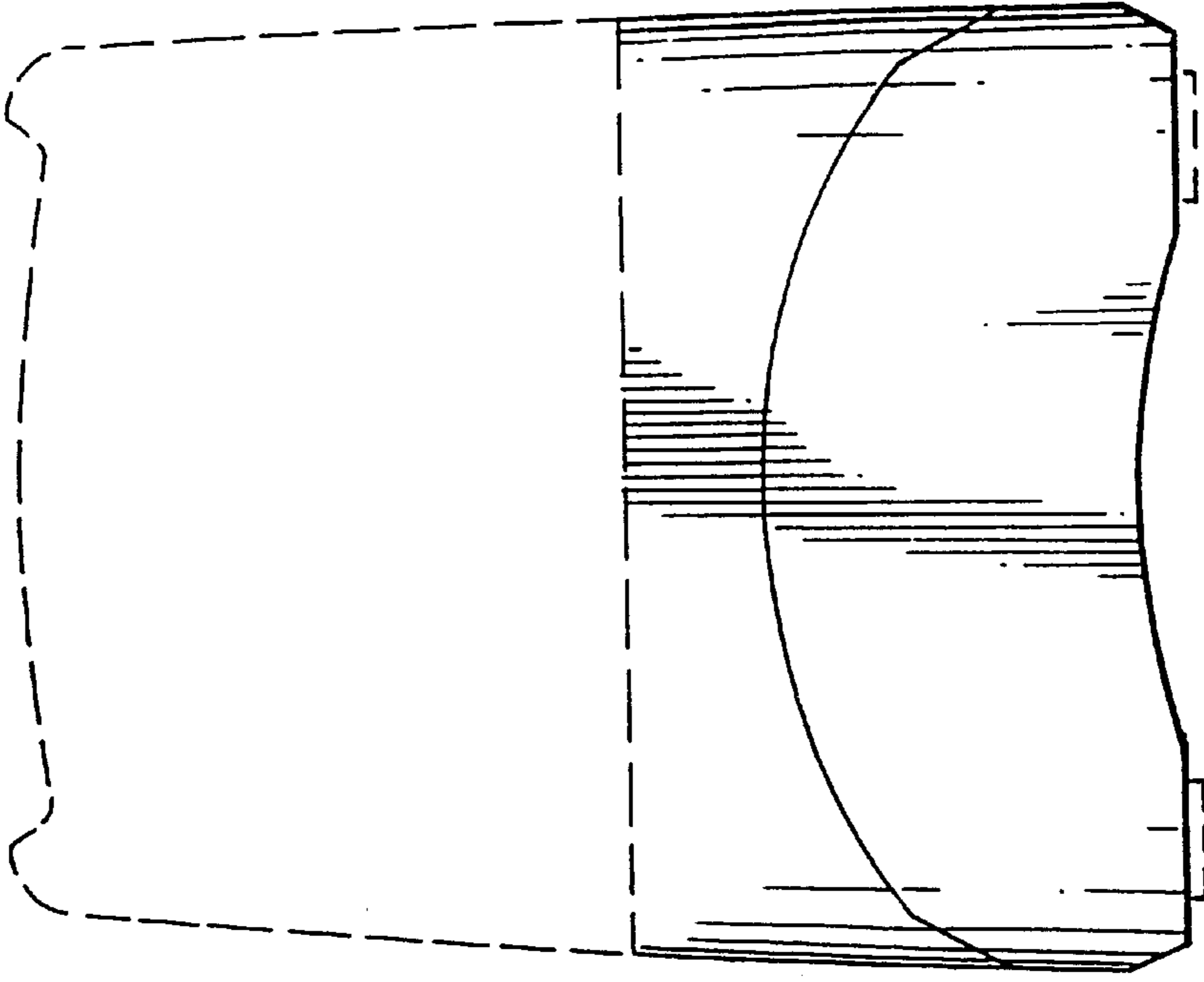


FIG. 5

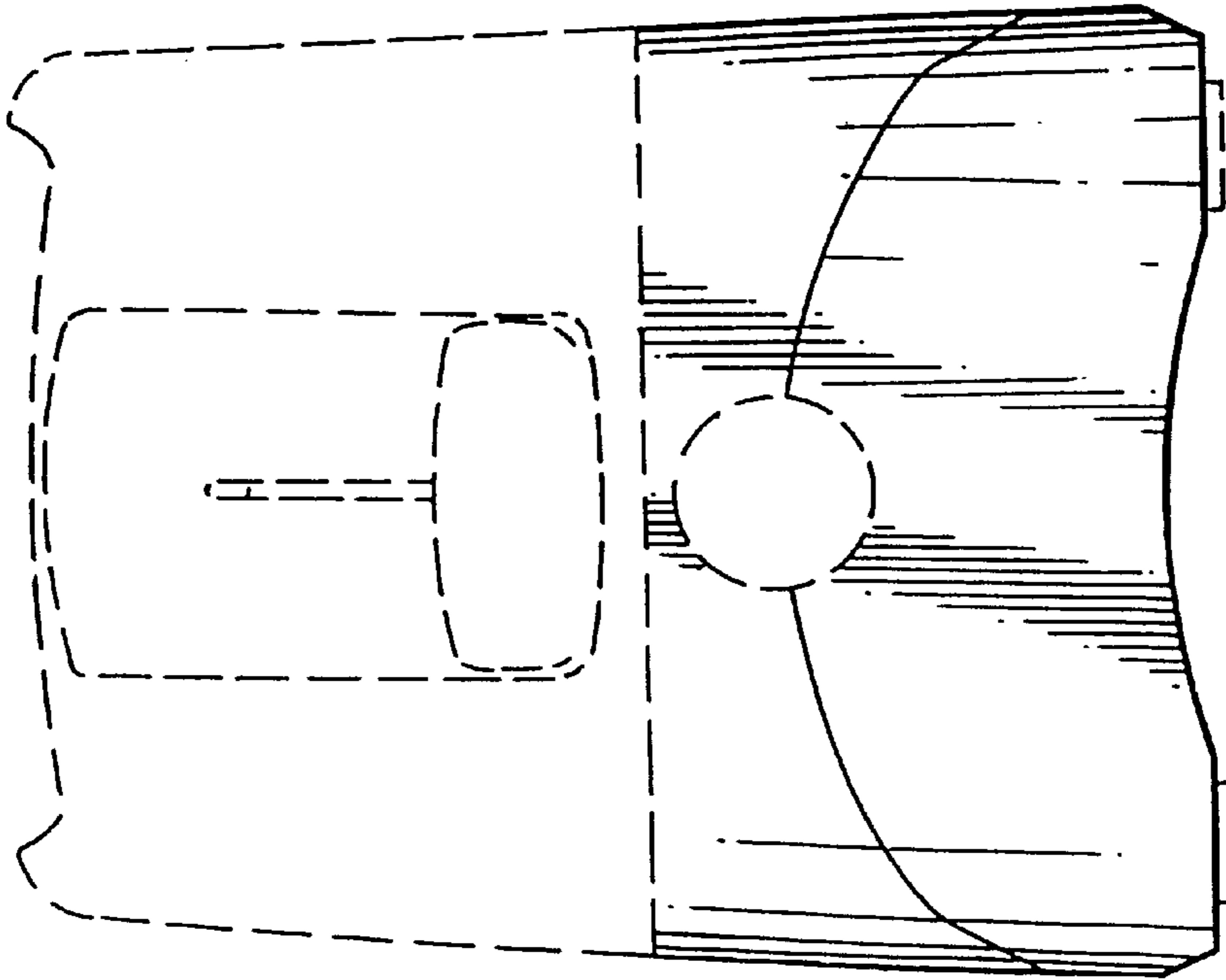


FIG. 2

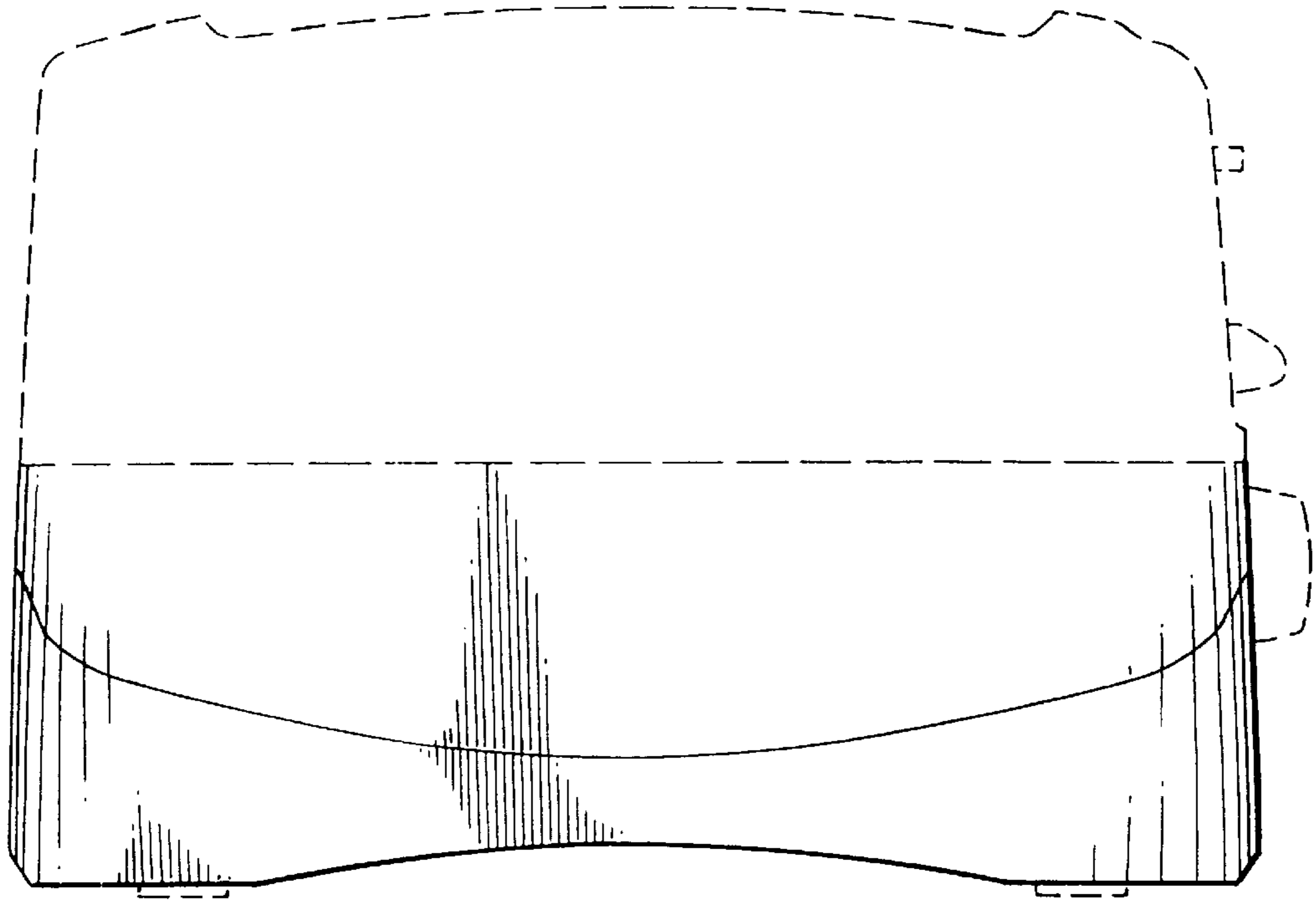


FIG. 3

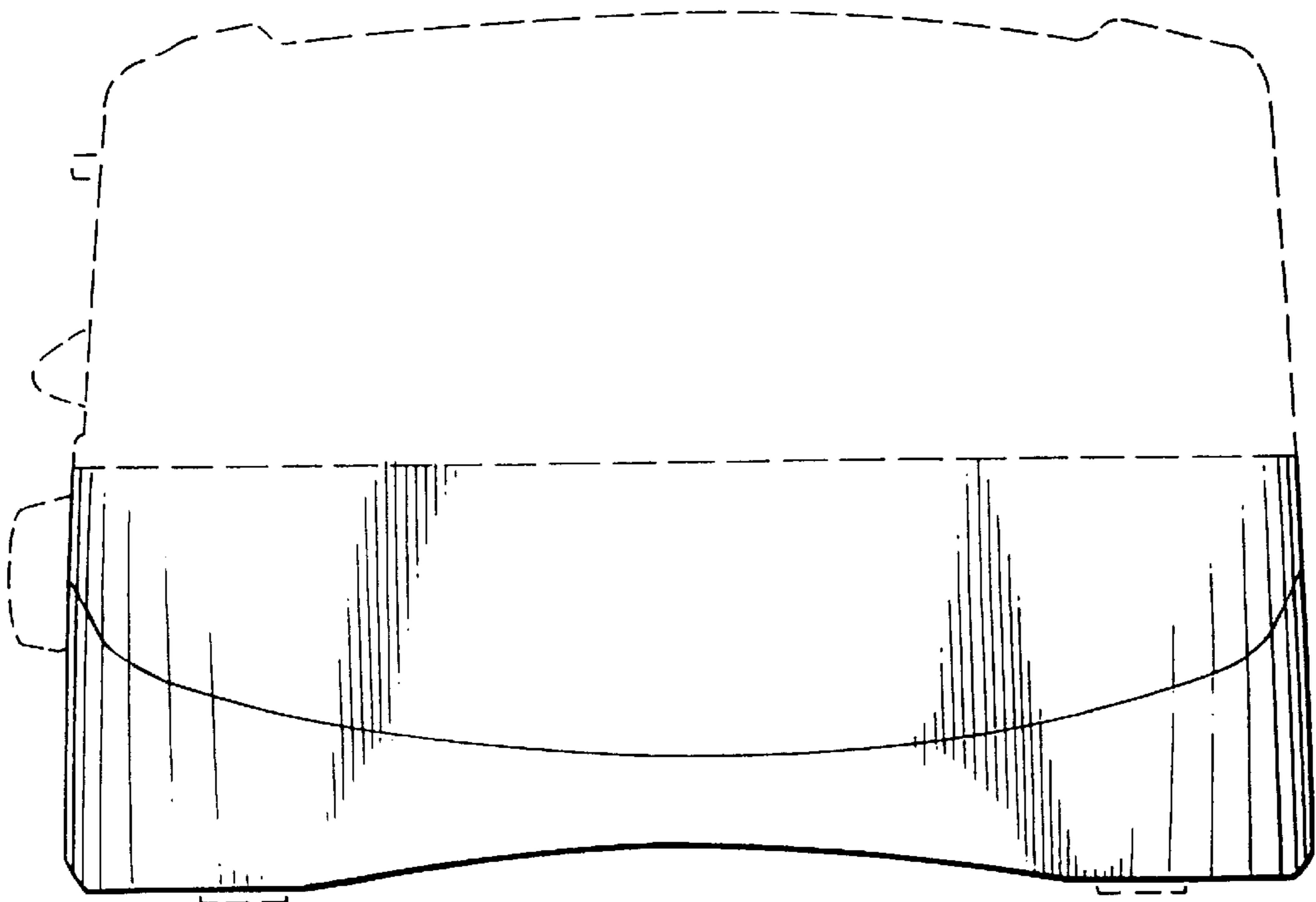


FIG. 4

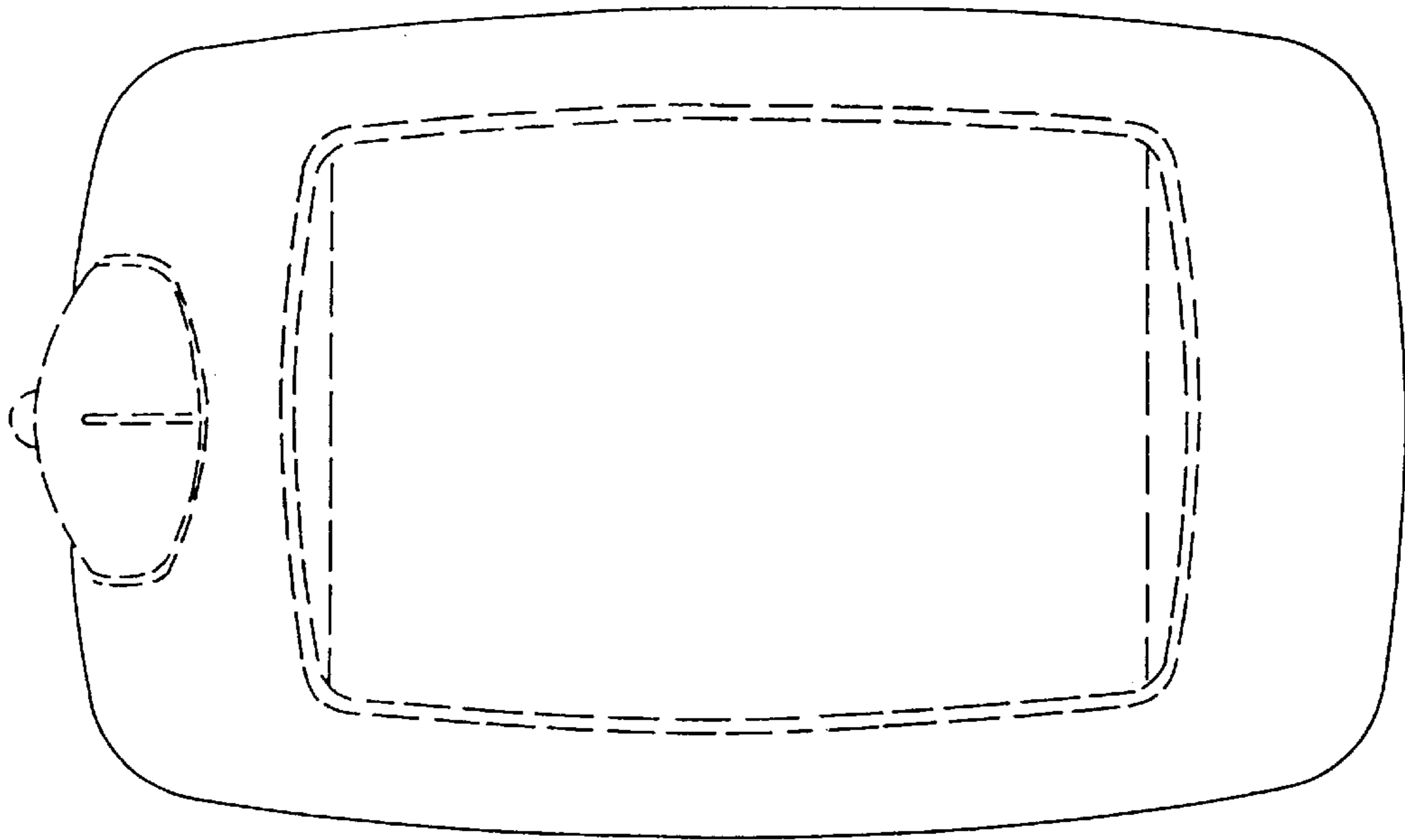


FIG. 6

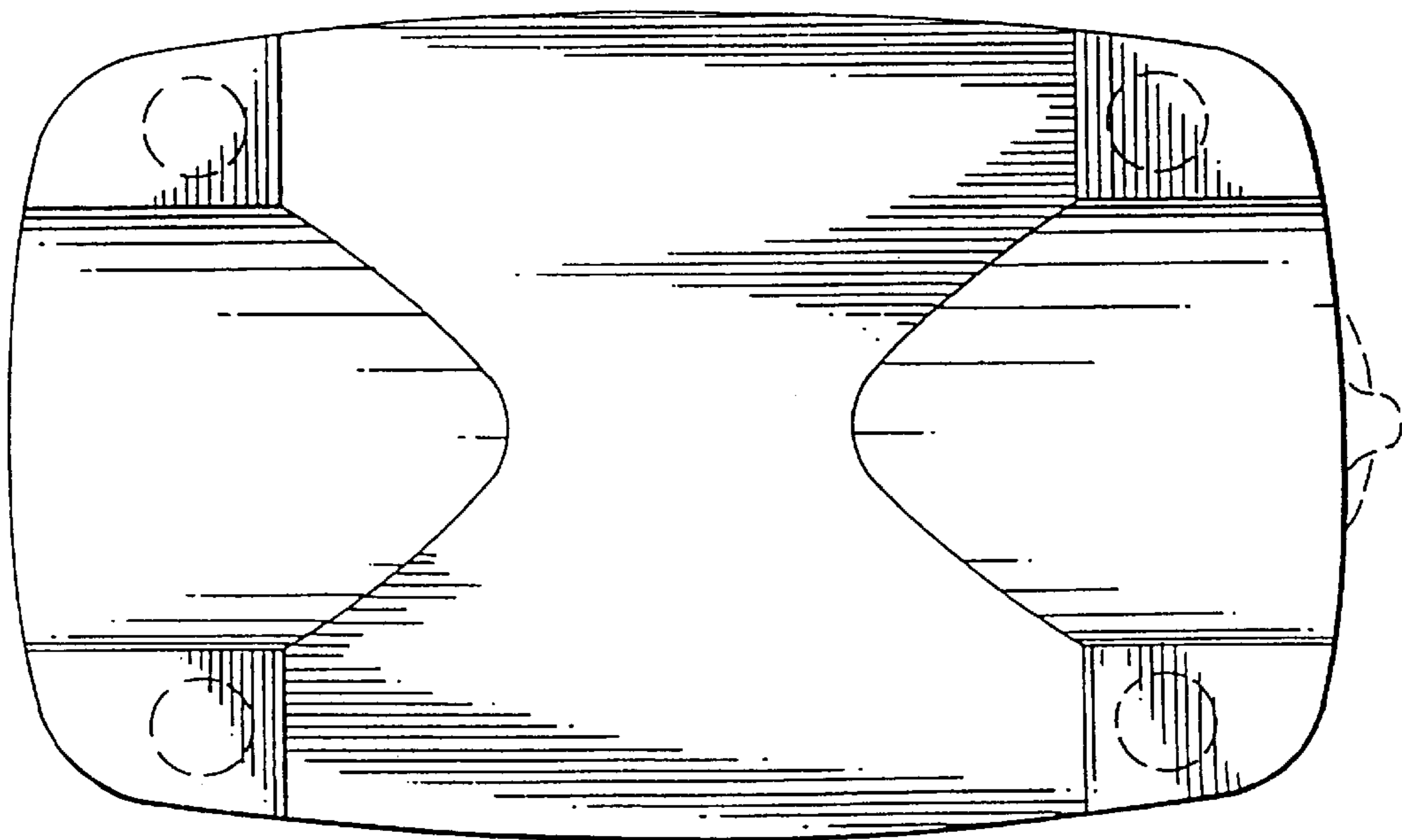


FIG. 7

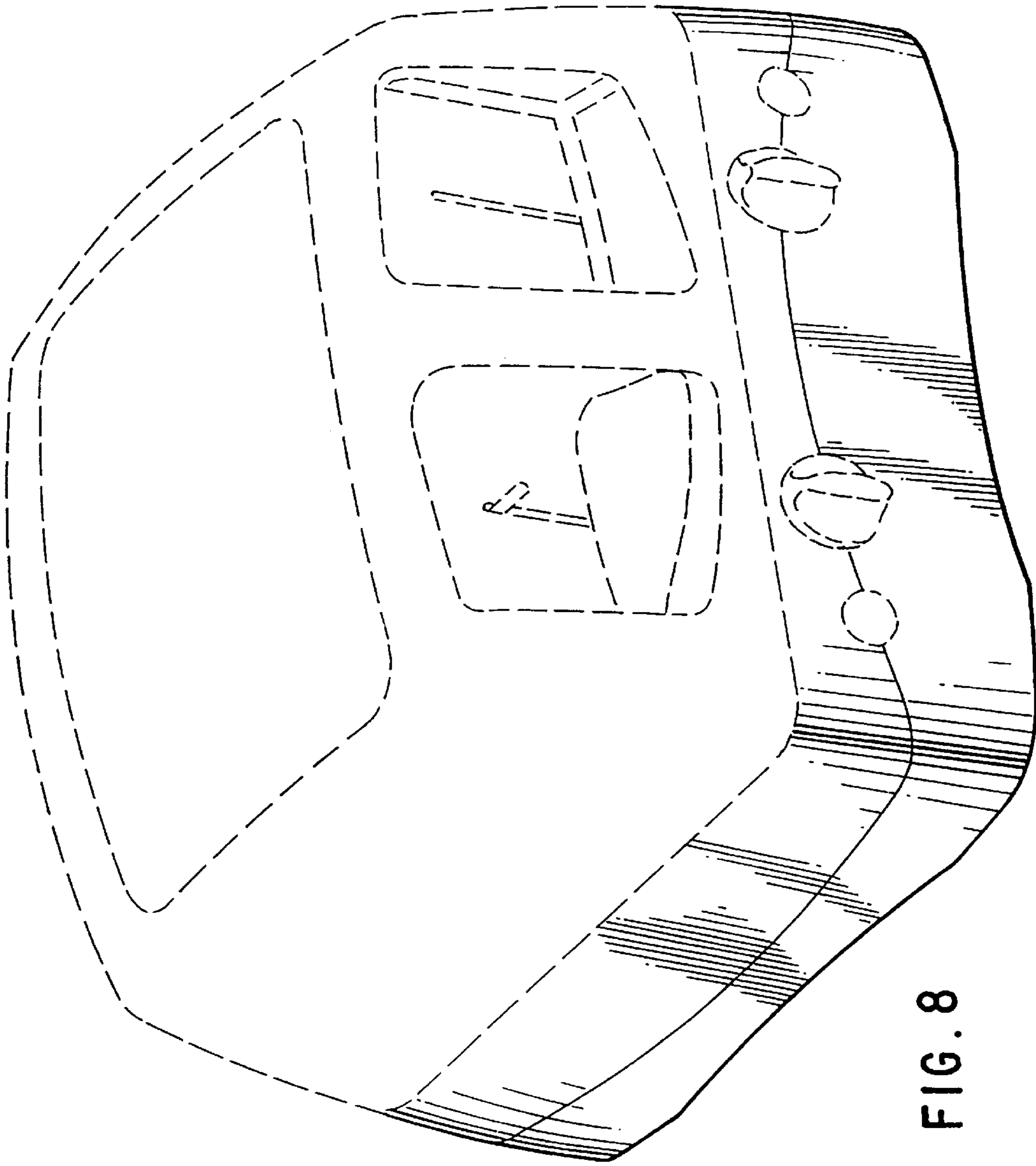


FIG. 8

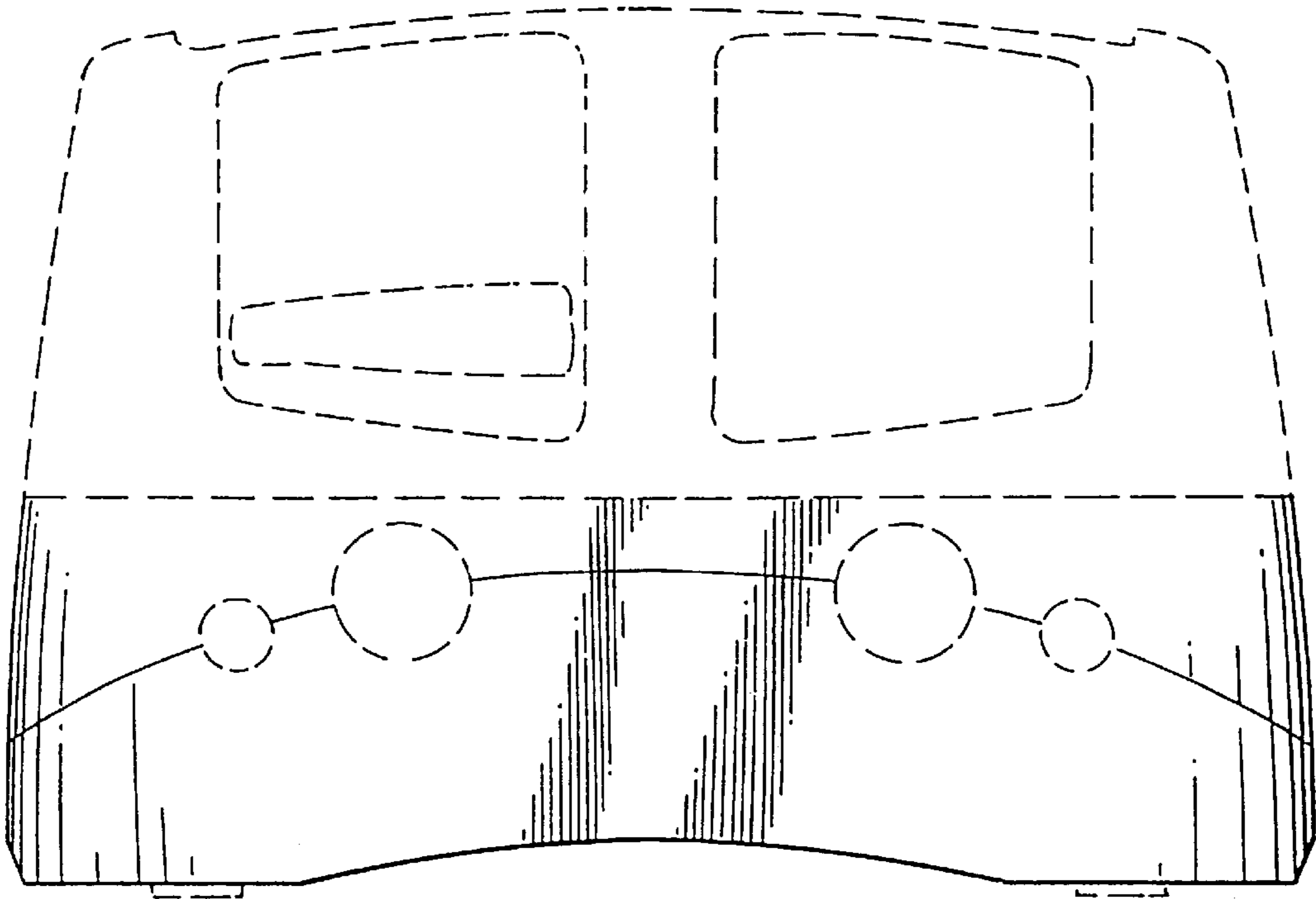


FIG. 9

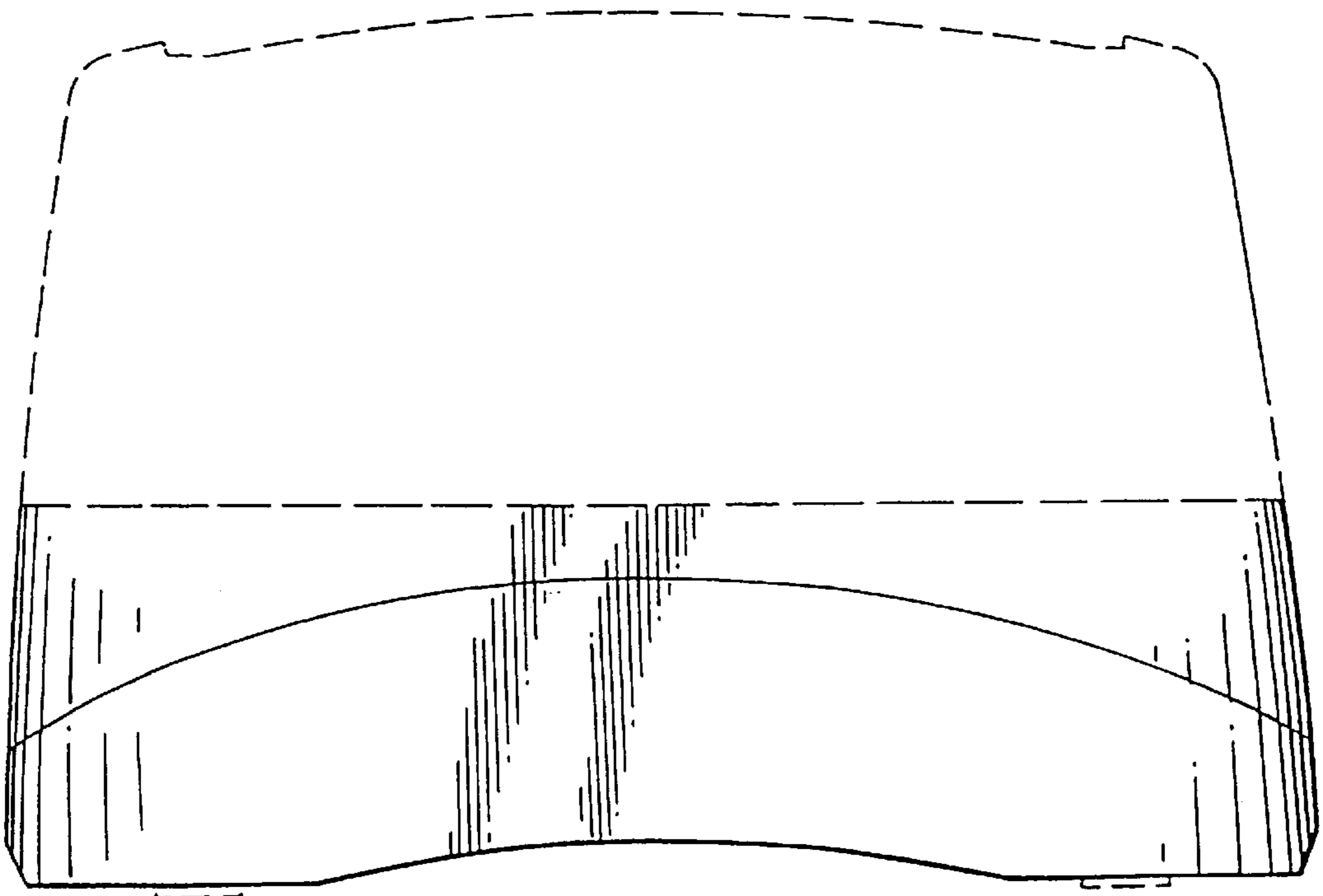


FIG. 13

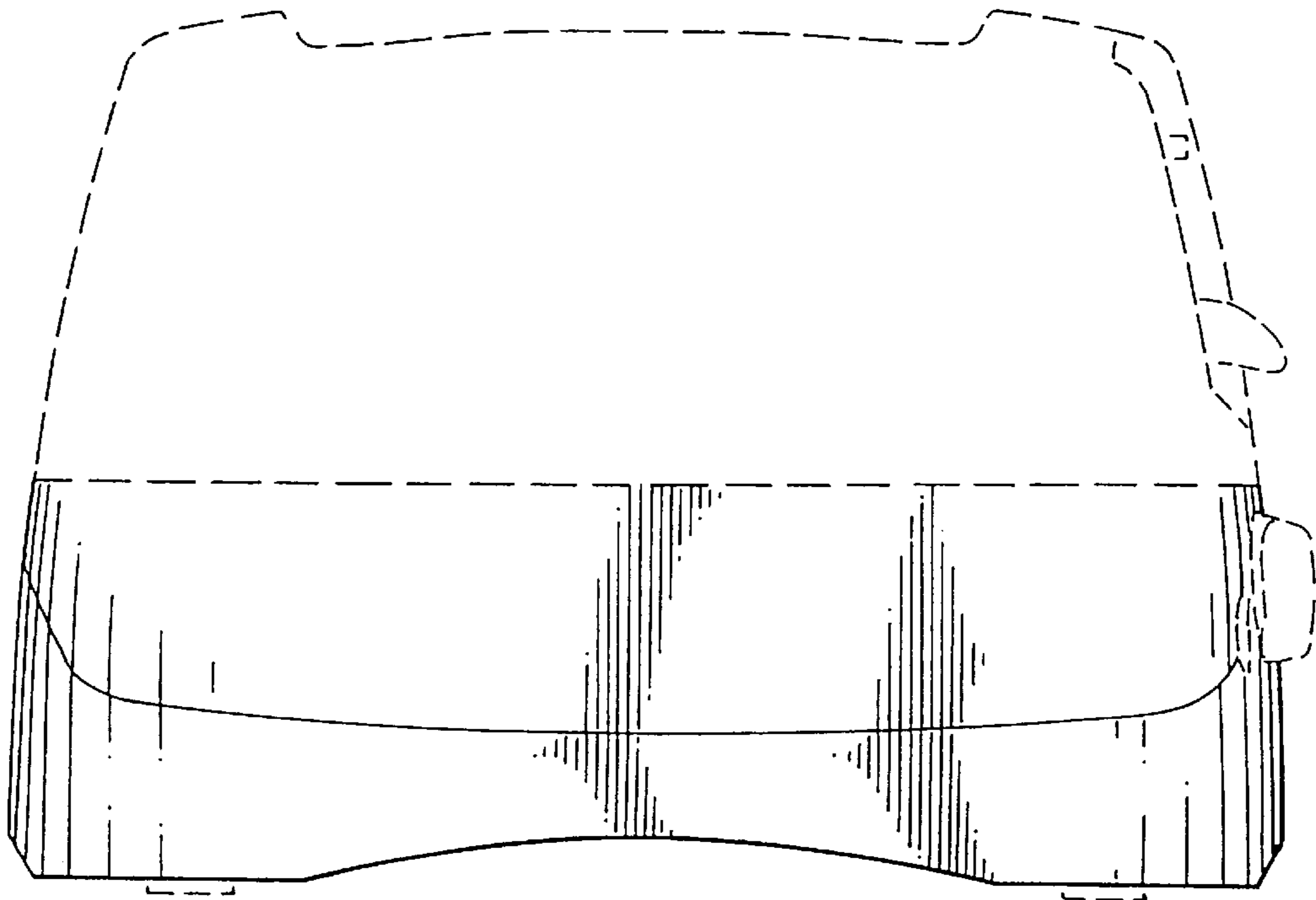


FIG. 10

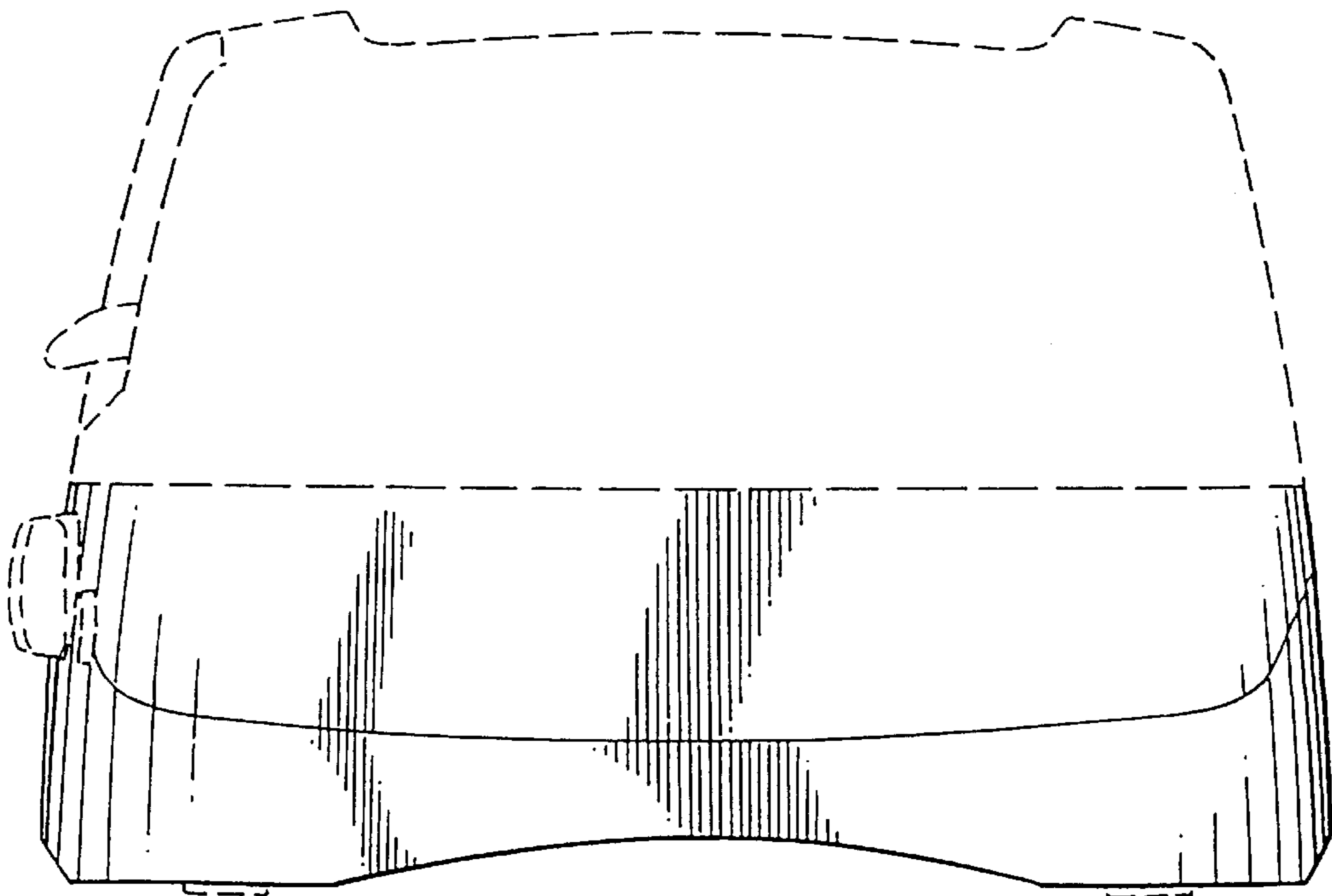


FIG. 11

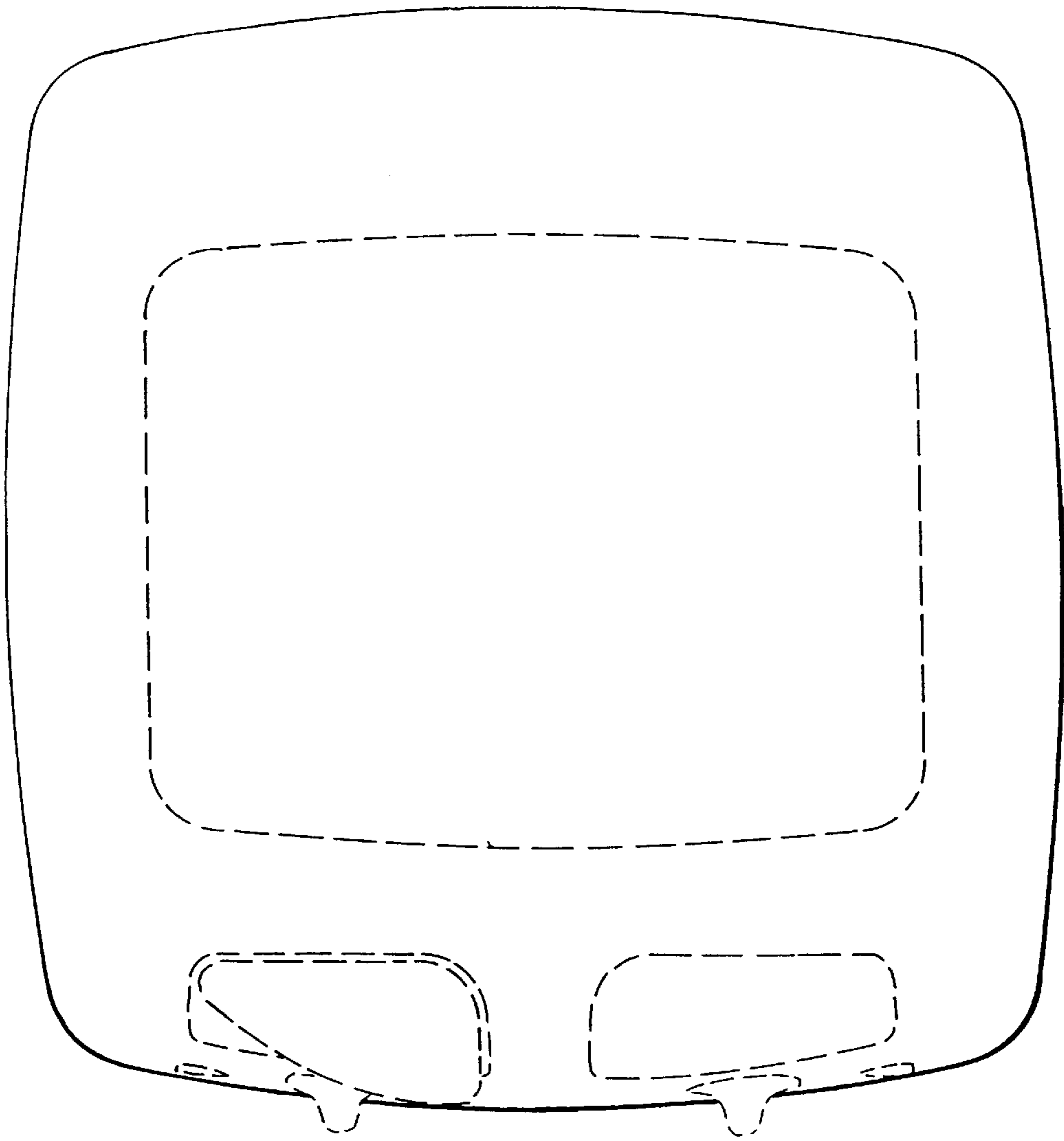


FIG. 12

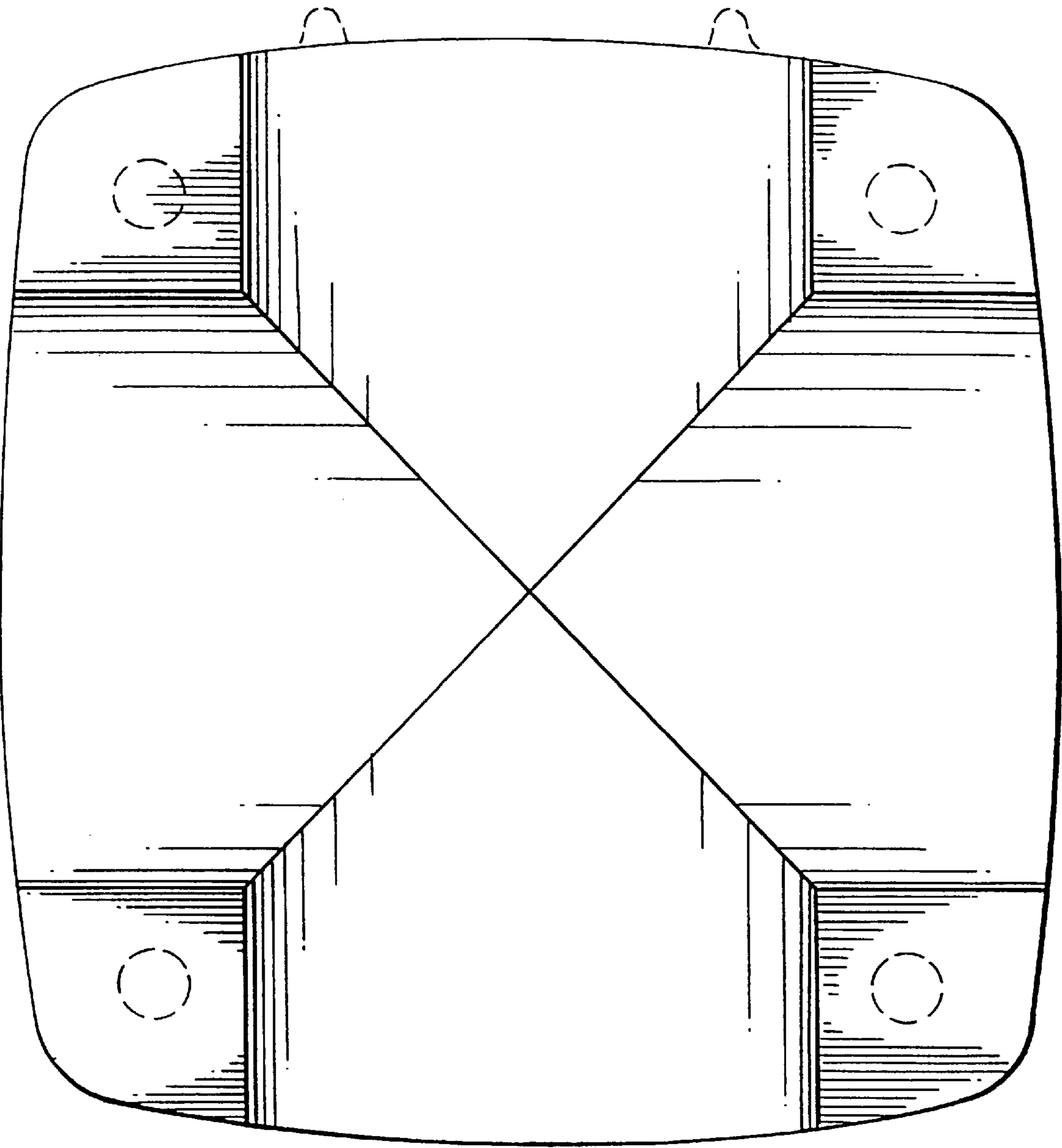


FIG. 14

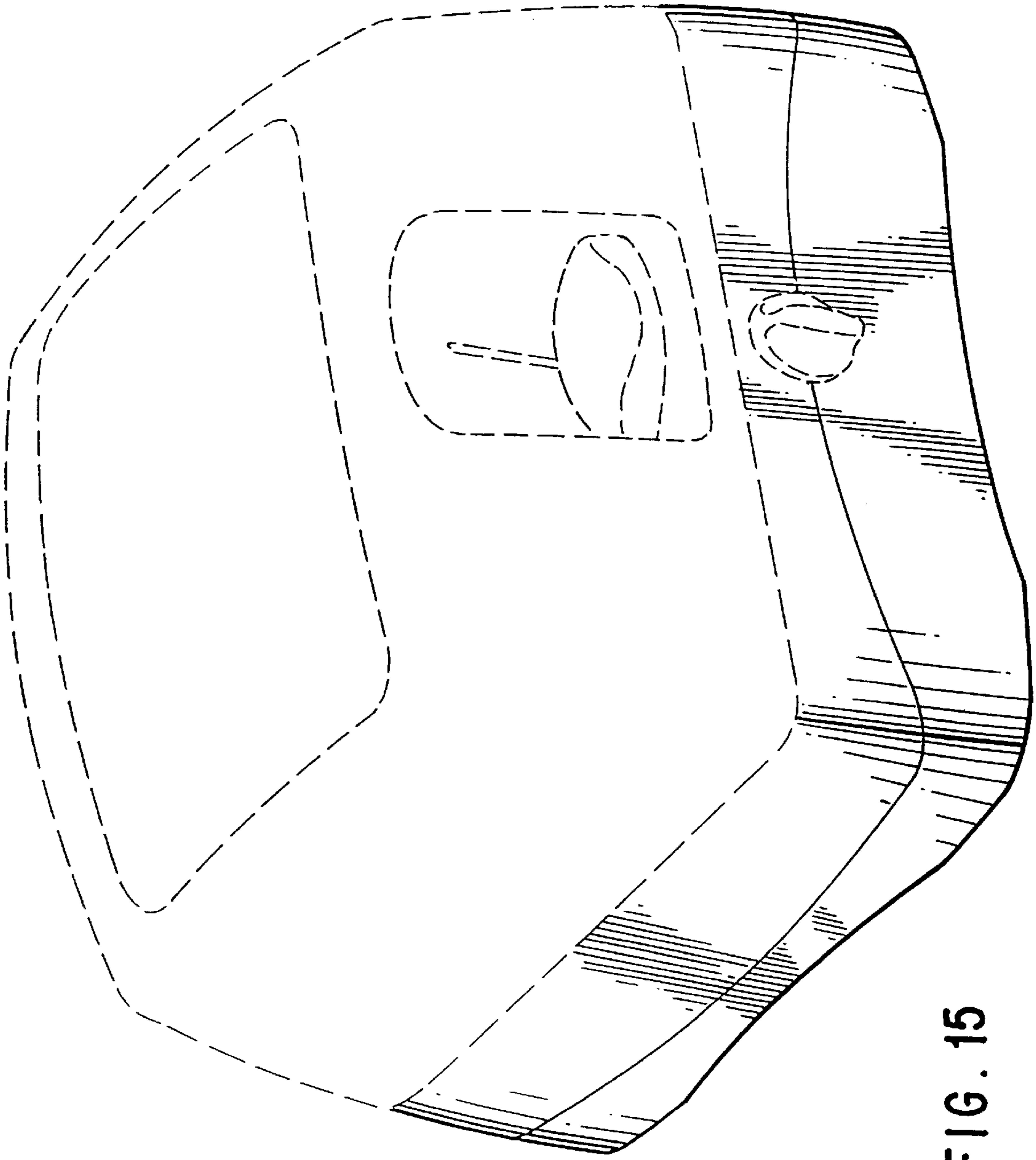


FIG. 15

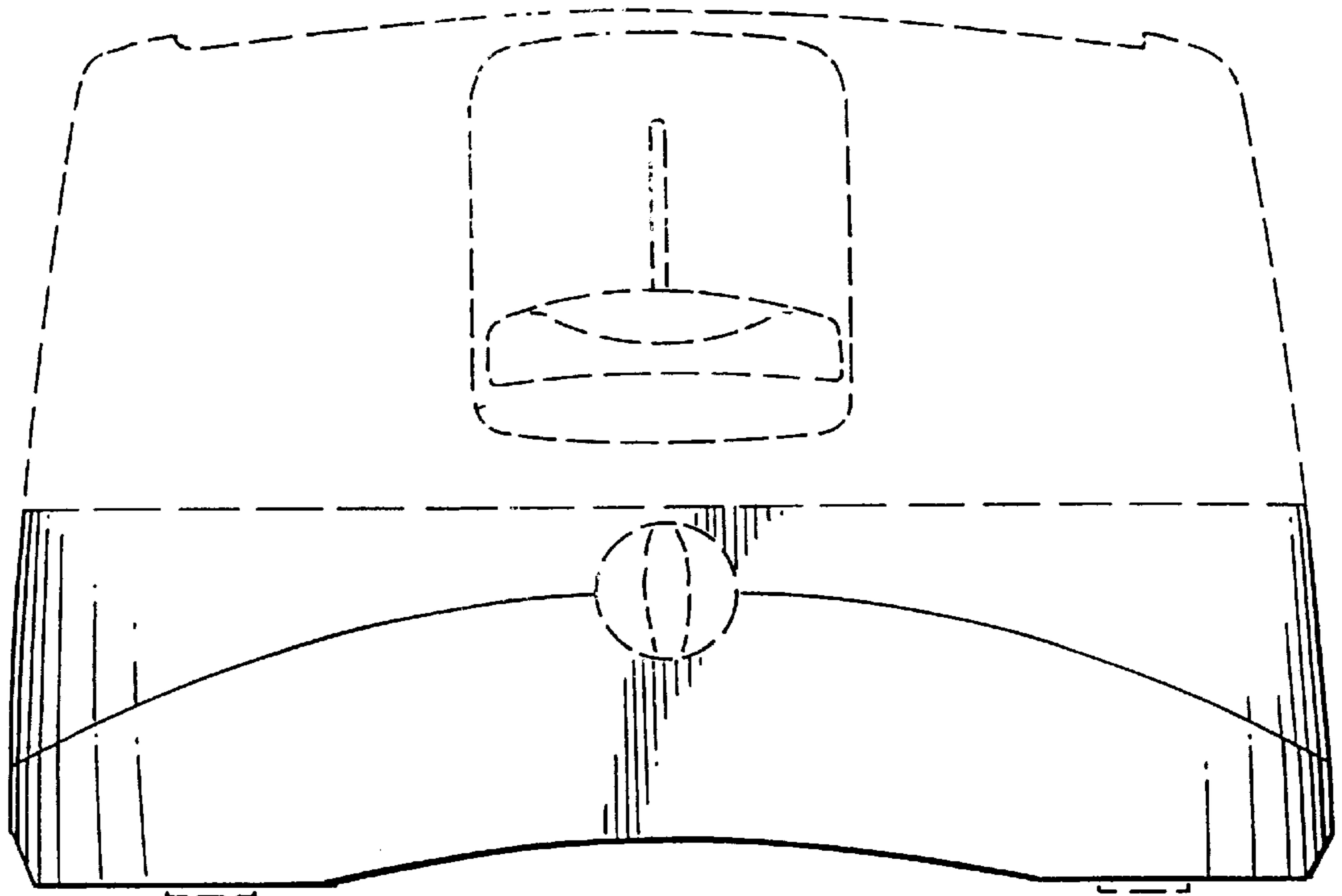


FIG. 16

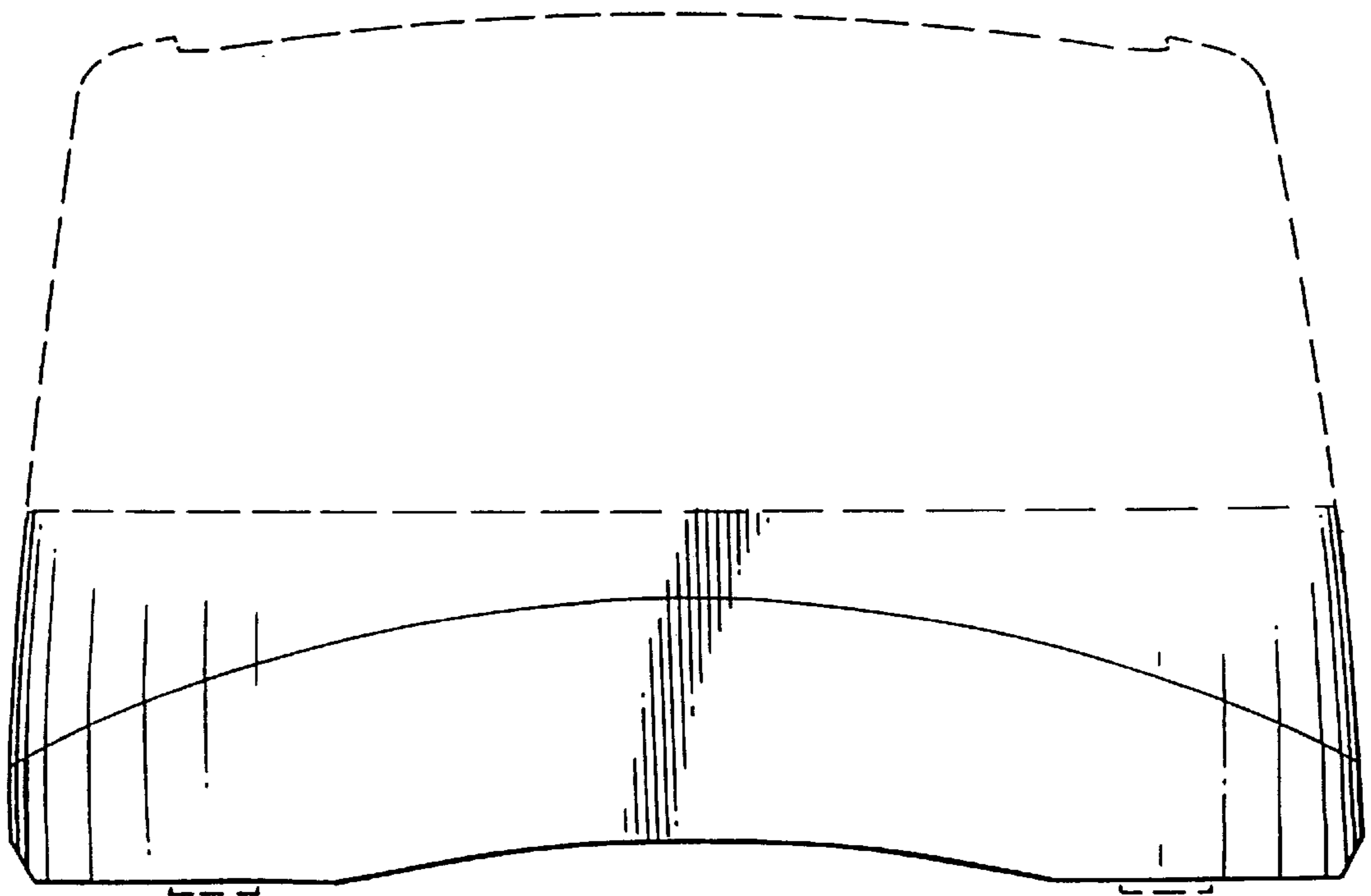


FIG. 19

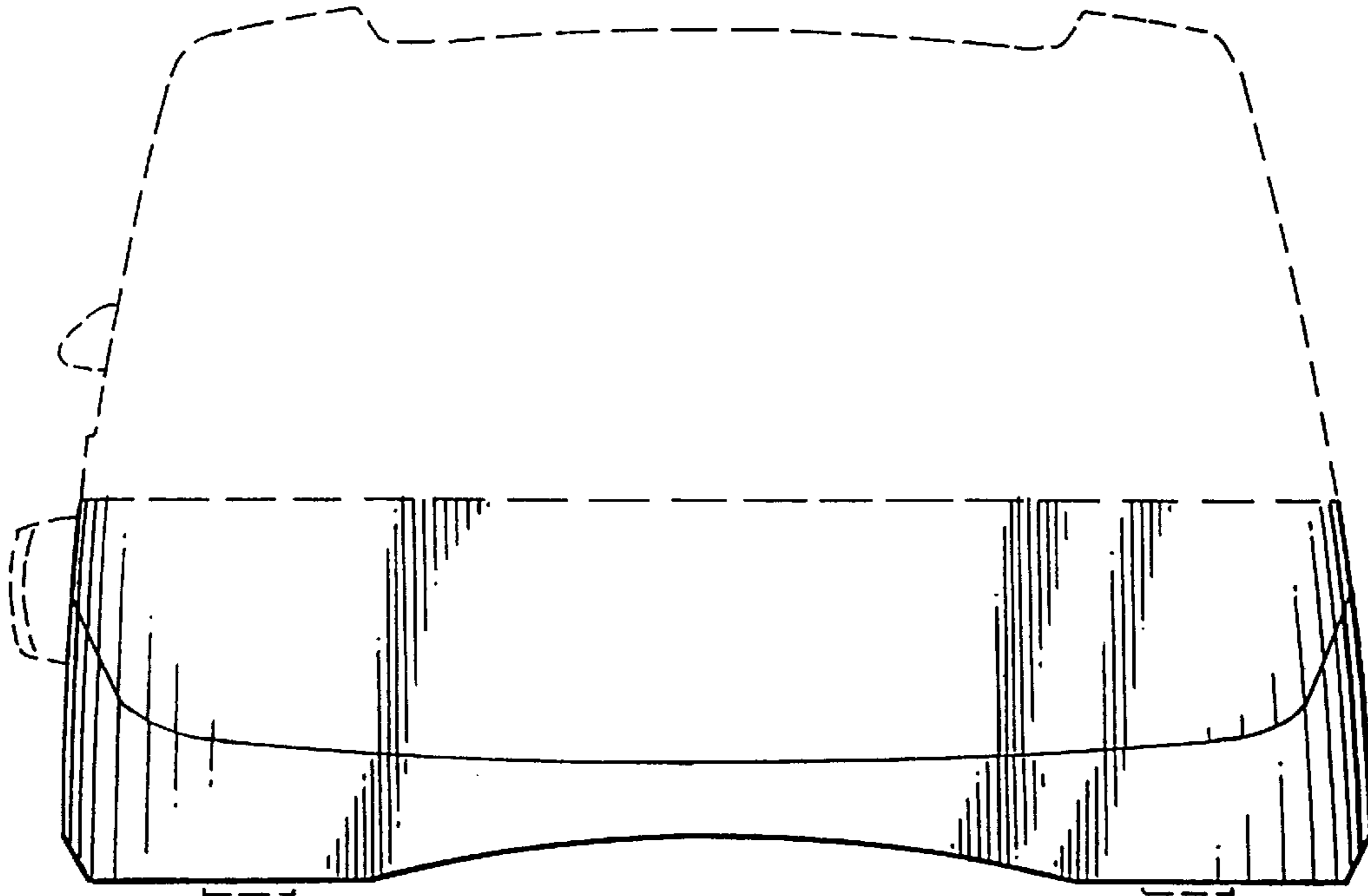


FIG. 17

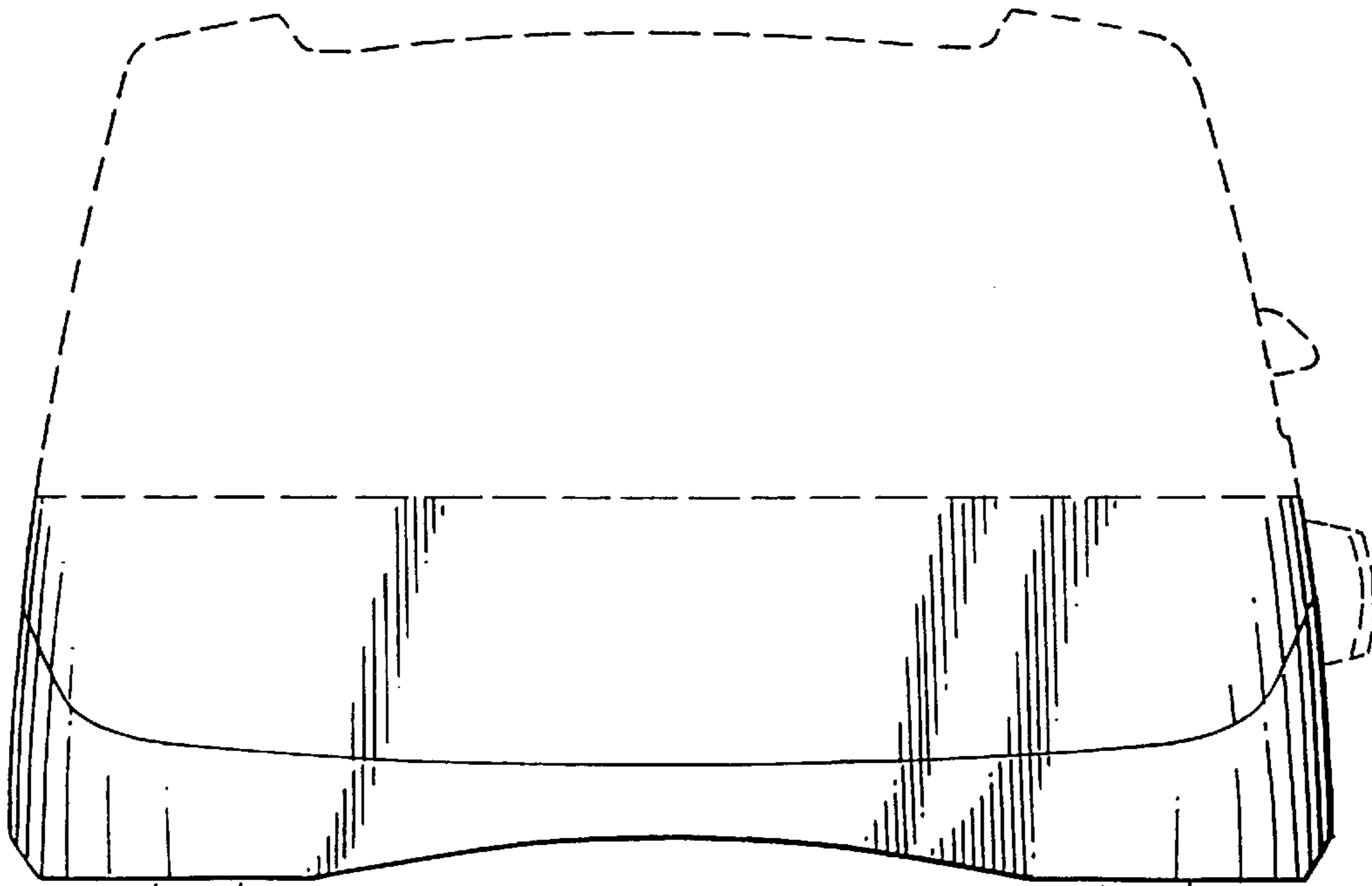


FIG. 18

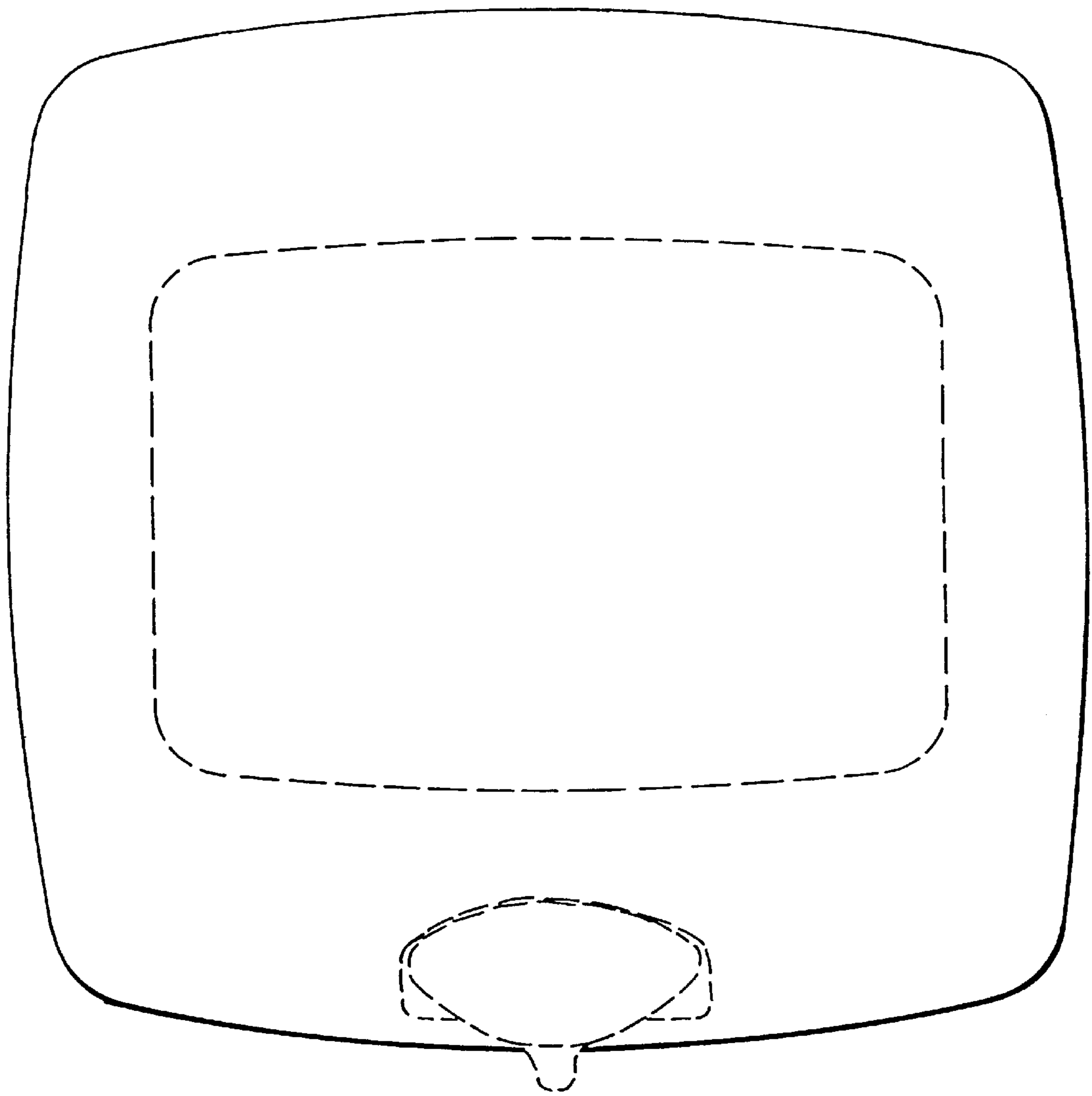


FIG. 20

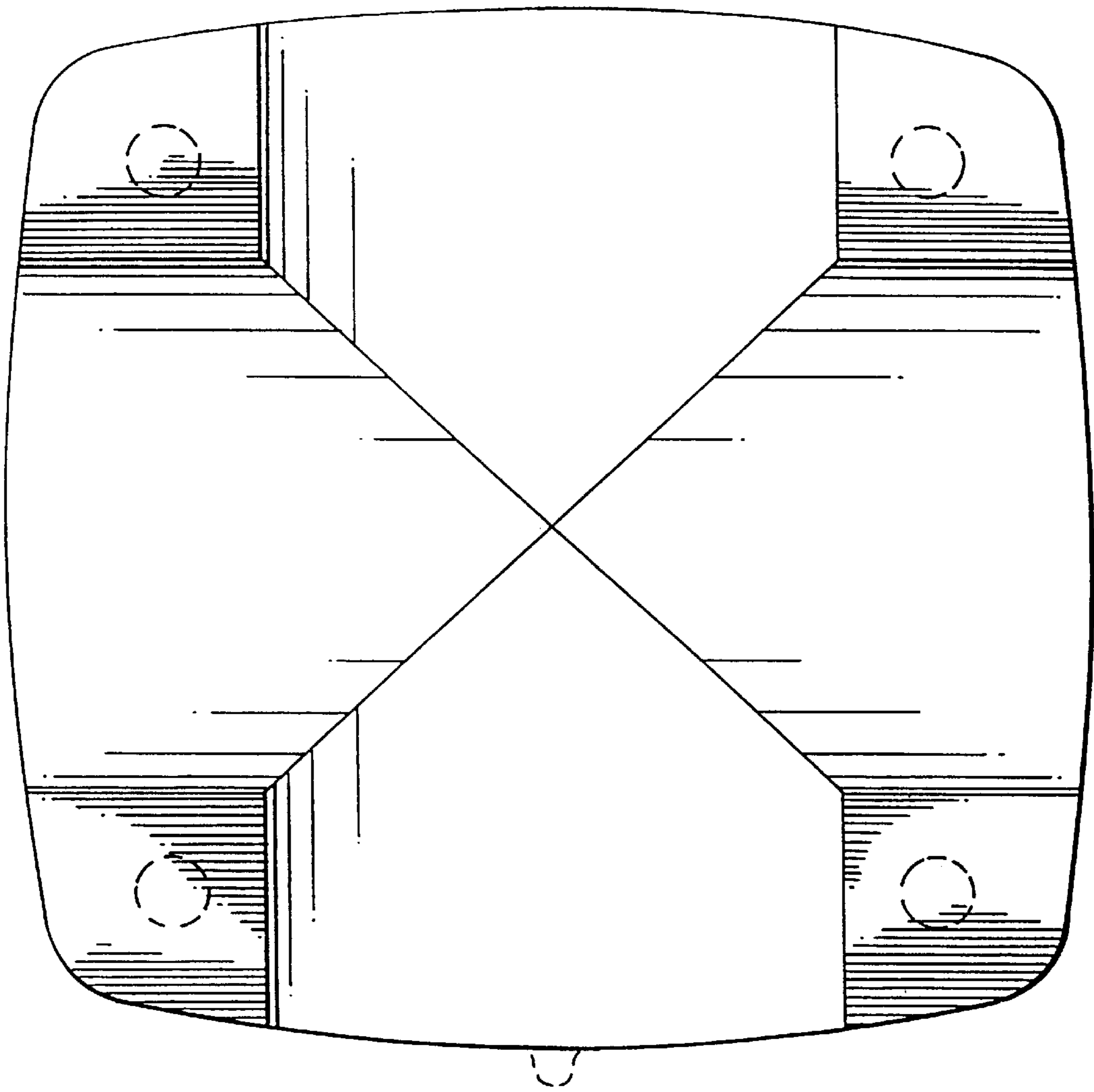


FIG. 21