



US00D426095S

# United States Patent [19] Chen

[11] **Patent Number: Des. 426,095**

[45] **Date of Patent: \*\* Jun. 6, 2000**

[54] **TOWEL BAR**

[76] Inventor: **Lien Fu Chen**, 9F-9, No. 144, Sec. 3,  
Sun-Ming Road, Taichung, Taiwan

[\*\*] Term: **14 Years**

[21] Appl. No.: **29/109,501**

[22] Filed: **Aug. 18, 1999**

[51] **LOC (7) Cl.** ..... **06-04**

[52] **U.S. Cl.** ..... **D6/549**

[58] **Field of Search** ..... D6/546, 549; 211/13.1,  
211/16, 86, 87, 105.1, 123, 181.1; 248/302,  
309.1

[56] **References Cited**

**U.S. PATENT DOCUMENTS**

- D. 259,753 7/1981 Fleischmann et al. .... D6/549
- D. 357,841 5/1995 Lehn et al. .... D6/549

- D. 361,460 8/1995 Warshawsky ..... D6/549
- D. 417,576 12/1999 Ming-Hsiao ..... D6/549

*Primary Examiner*—Brian N. Vinson  
*Attorney, Agent, or Firm*—Charles E Baxley, Esq.

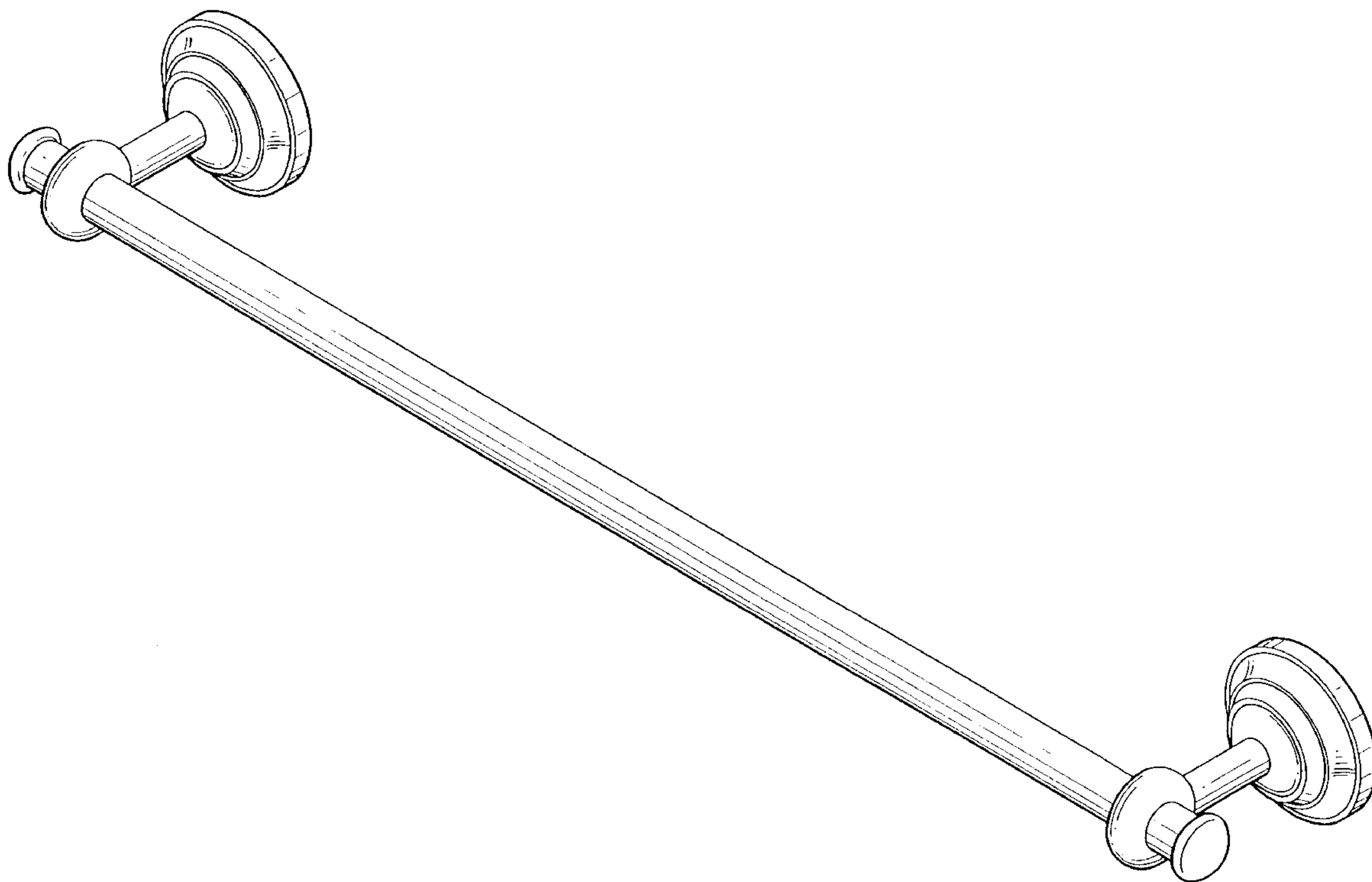
[57] **CLAIM**

The ornamental design for a towel bar, as shown and described.

**DESCRIPTION**

FIG. 1 is a front elevational view of a towel bar showing my new design;  
FIG. 2 is a rear elevational view thereof;  
FIG. 3 is a top plan view thereof;  
FIG. 4 is a bottom plan view thereof;  
FIG. 5 is a right side elevational view thereof;  
FIG. 6 is a left side elevational view thereof; and,  
FIG. 7 is a perspective view thereof.

**1 Claim, 4 Drawing Sheets**



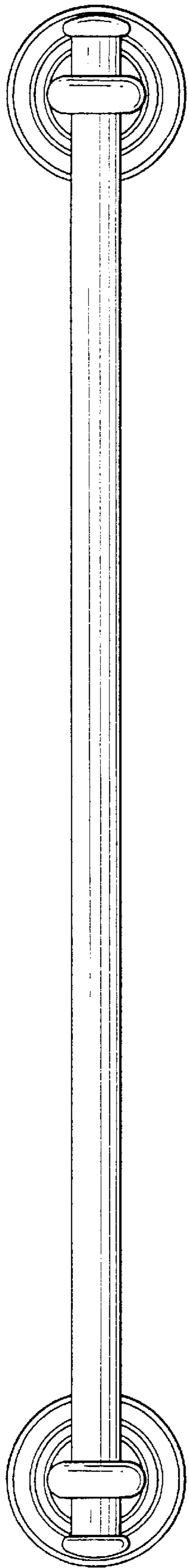


FIG. 1

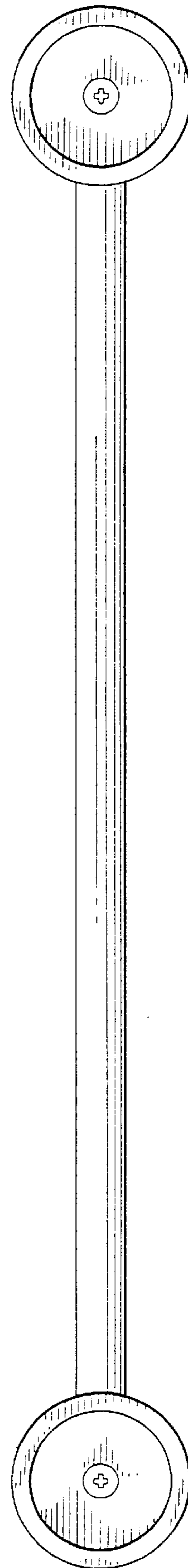


FIG. 2

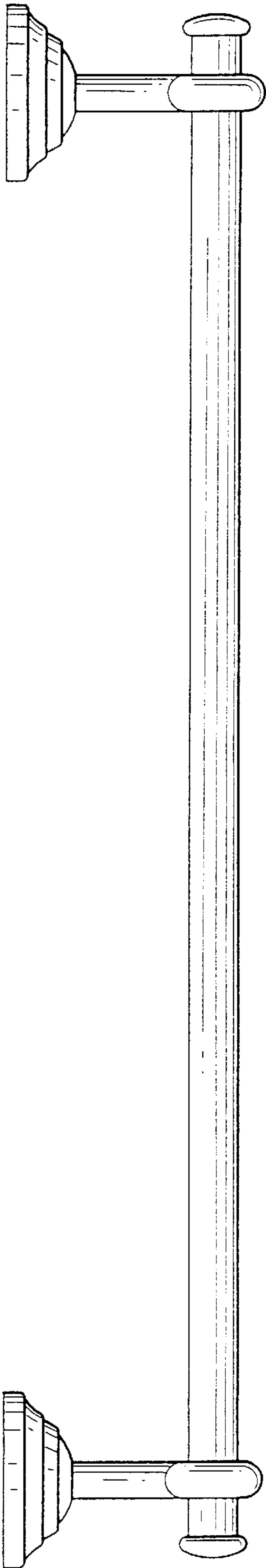


FIG.3

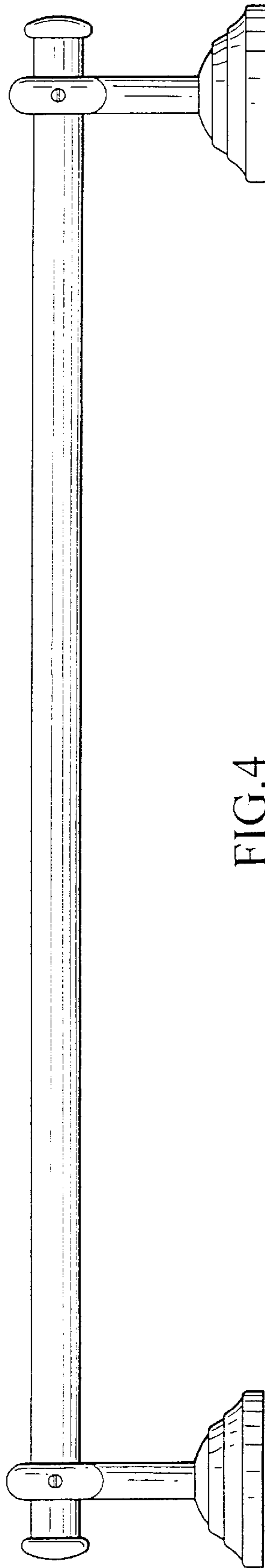


FIG.4

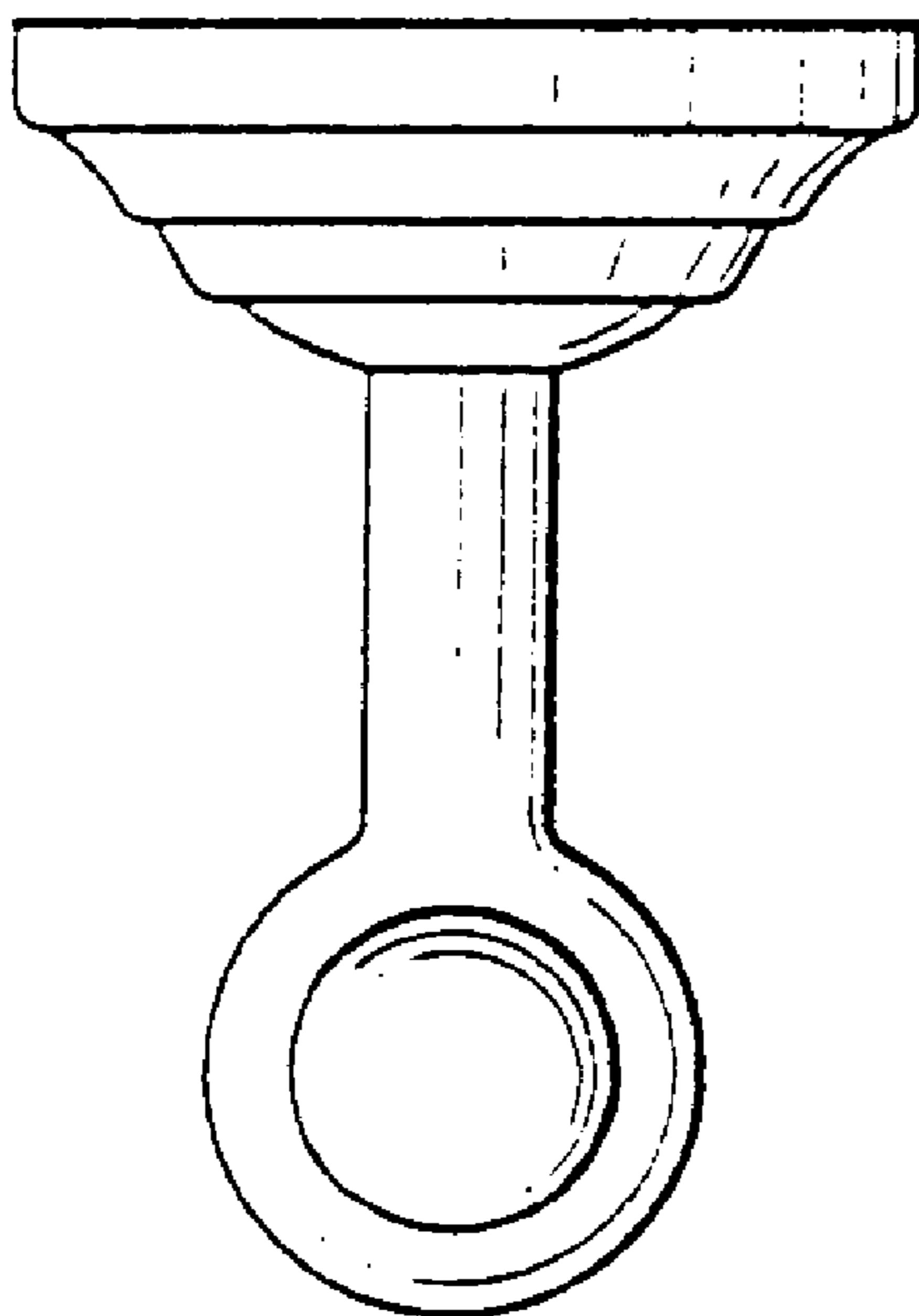


FIG. 5

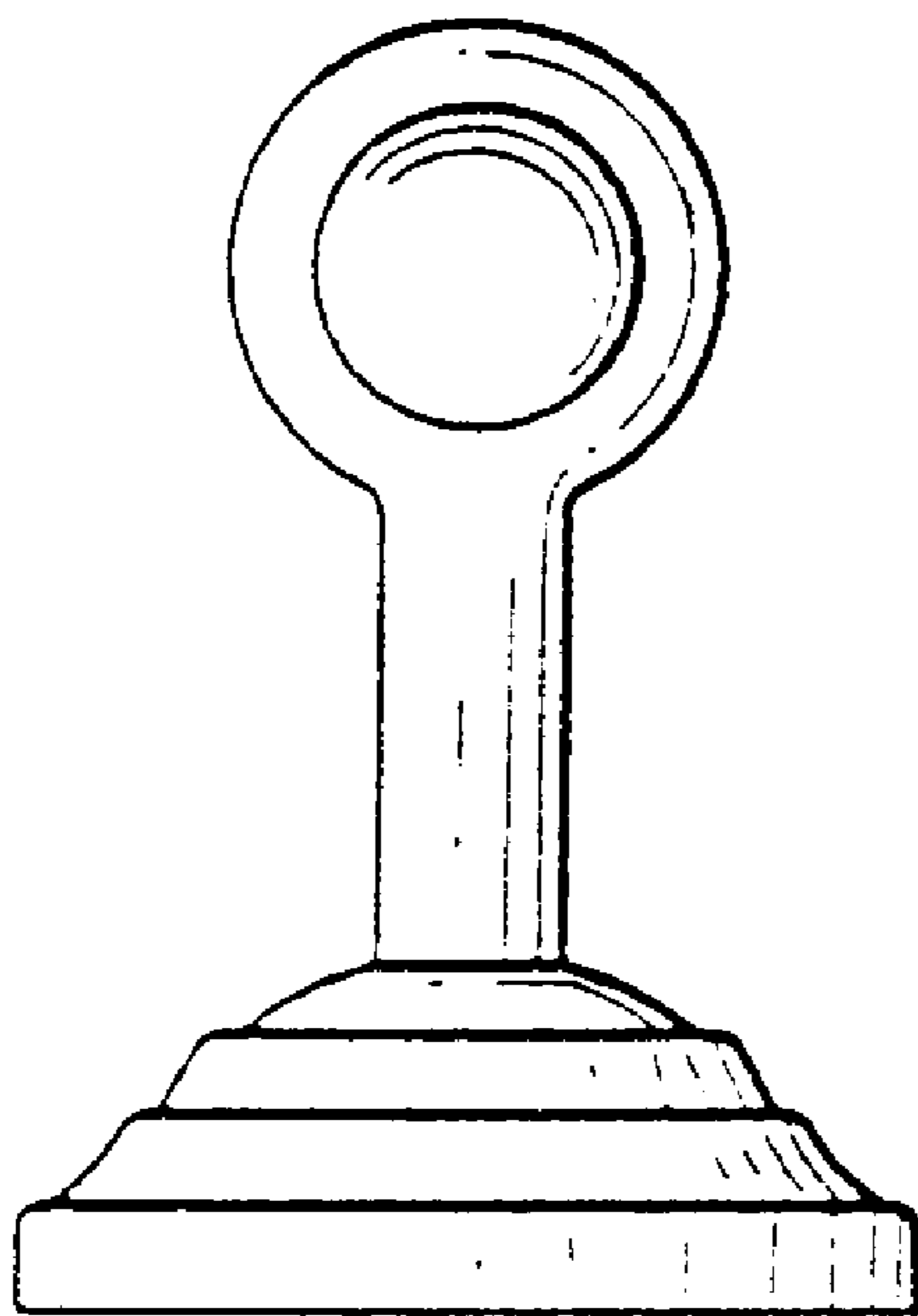


FIG. 6

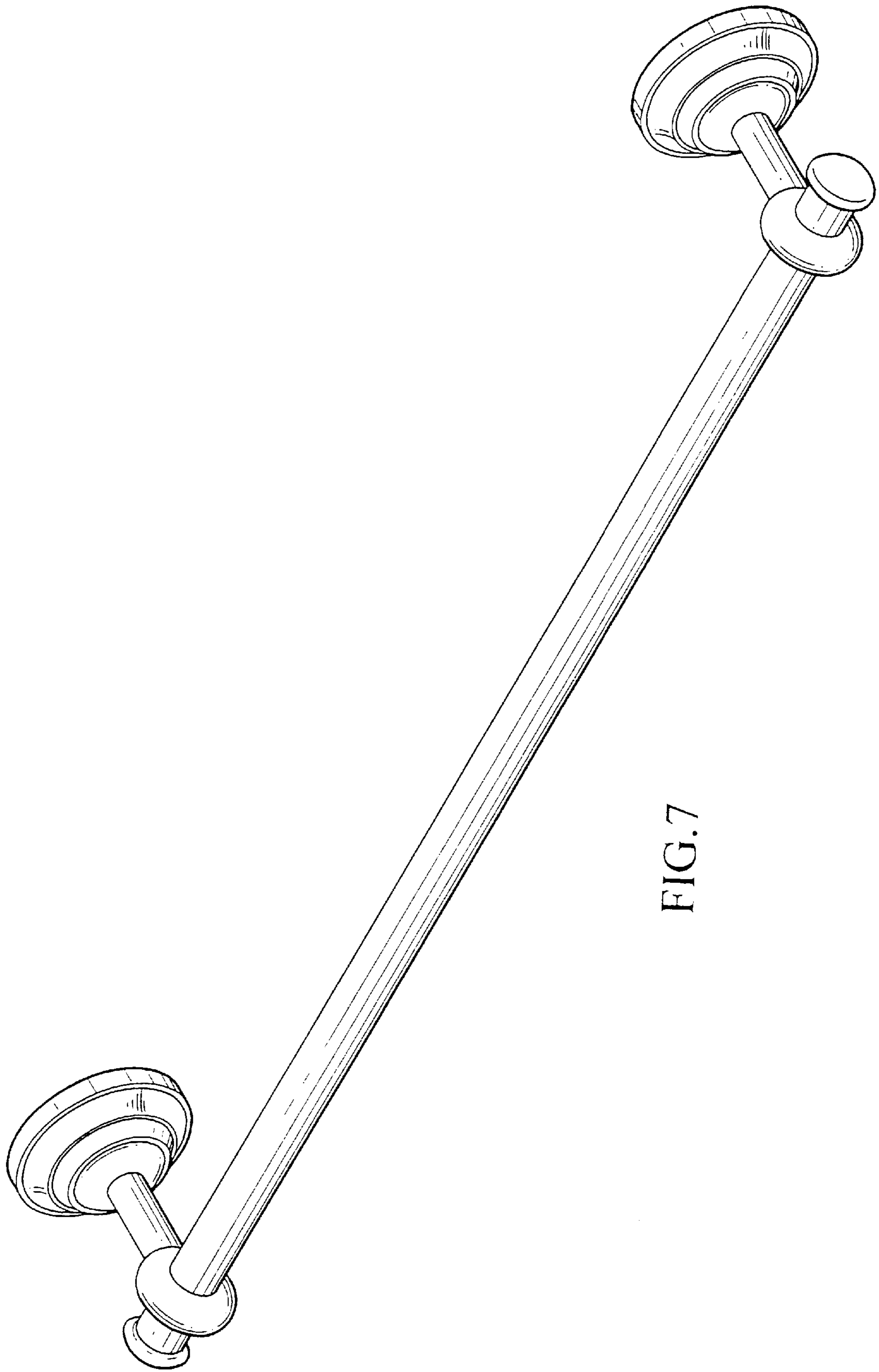


FIG. 7