



US00D426092S

United States Patent [19]
Neustadt

[11] **Patent Number: Des. 426,092**
[45] **Date of Patent: ** Jun. 6, 2000**

- [54] **MODULAR ANGLED SHELF STACKING DISPLAY**
- [75] Inventor: **Craig Allen Neustadt**, Jericho, N.Y.
- [73] Assignee: **Display Technologies**, College Point, N.Y.
- [**] Term: **14 Years**
- [21] Appl. No.: **29/095,971**
- [22] Filed: **Nov. 2, 1998**
- [51] **LOC (7) Cl.** **06-04**
- [52] **U.S. Cl.** **D6/511; D6/473; D6/476**
- [58] **Field of Search** **D6/475, 473, 476, D6/509-511, 466-468; D3/304-314; 206/503-512; 211/49.1, 85.26, 119.003, 126.14, 134, 135, 186-188, 189, 194; 220/4.26, 4.28, 23.2, 23.6, 23.83**

[56] **References Cited**

U.S. PATENT DOCUMENTS

D. 307,969	5/1990	Box	D3/312
D. 380,324	7/1997	Kramer et al.	D6/511
2,155,190	4/1939	Heinz	211/135
3,042,220	7/1962	Jakobsson	211/90.04 X
3,223,246	12/1965	Daitch	211/134

Primary Examiner—Cathron B. Matta
Assistant Examiner—Linda Brooks
Attorney, Agent, or Firm—Amster, Rothstein & Ebenstein

[57] **CLAIM**

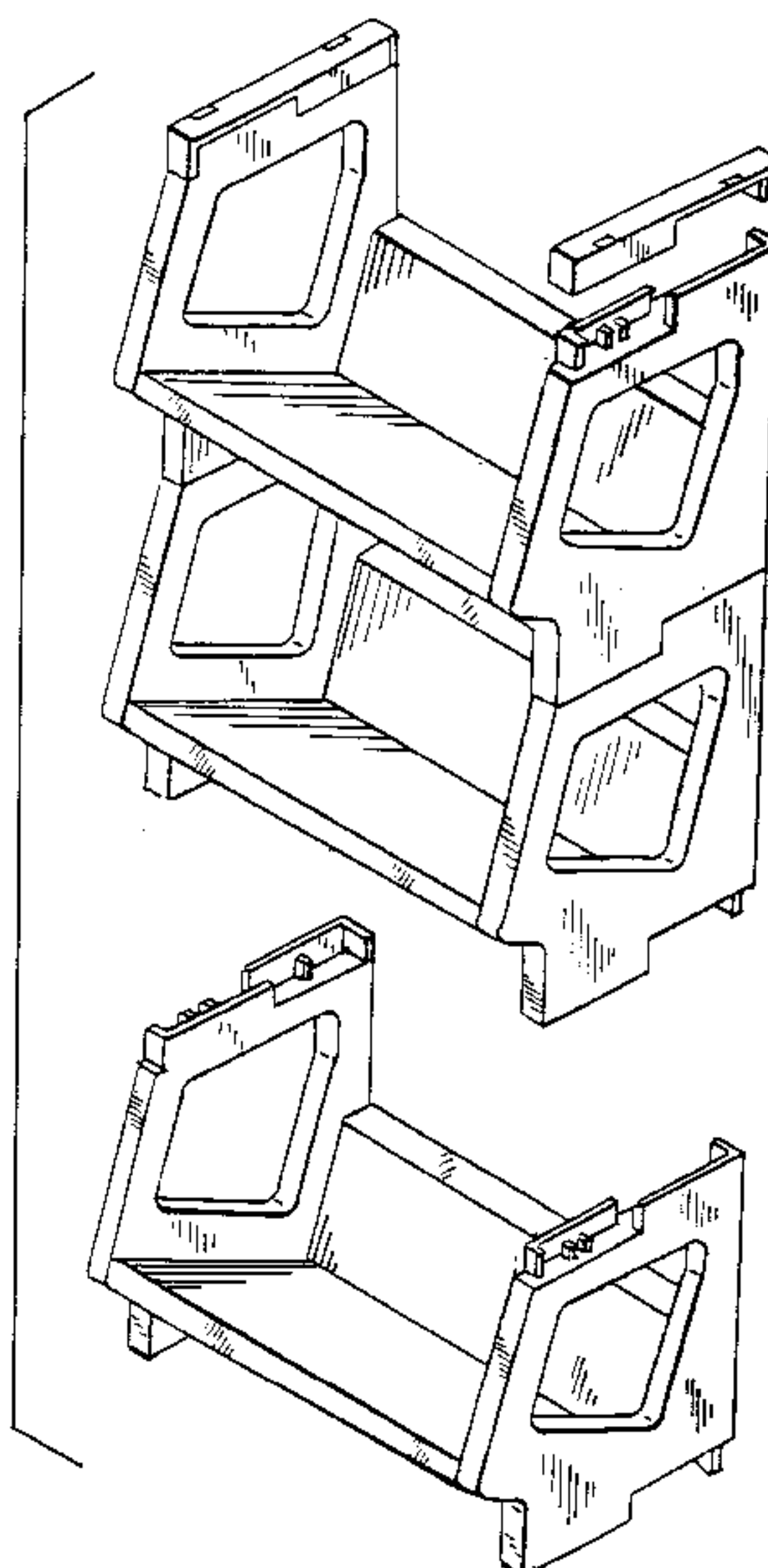
The ornamental design for a modular angled shelf stacking display, as shown and described.

DESCRIPTION

FIG. 1 is an isometric view from the front, top and one side of a first embodiment of a modular angled shelf stacking display showing my new design;

FIG. 2 is an isometric view similar to FIG. 1 but showing a second embodiment additionally including top caps;
 FIG. 3 is an isometric view similar to FIG. 1 but showing a third embodiment additionally including bottom caps;
 FIG. 4 is an isometric view similar to FIG. 1 but showing a fourth embodiment additionally including top and bottom caps;
 FIG. 5 is an isometric view similar to FIG. 1 but showing a fifth embodiment; additionally including top caps and extenders;
 FIG. 6 is an enlarged side elevational view of the fifth embodiment from the one side, the view from the other side being a mirror image thereof;
 FIG. 7 is a cross-section of the fifth embodiment taken along the line 7—7 of FIG. 5;
 FIG. 8 is a front elevational view of FIG. 5;
 FIG. 9 is a rear elevational view of FIG. 5;
 FIG. 10 is a top plan view of FIG. 5;
 FIG. 11 is a bottom plan view of FIG. 5;
 FIG. 12 is a partially exploded isometric view of a sixth embodiment, the only difference being the vertical arrangement of the shelf unit shown in FIG. 1, with extenders shown on the bottom and middle shelves, and an extender and top cap shown on the top shelf;
 FIG. 13 is a partially exploded isometric view of a seventh embodiment, the only difference being the horizontal arrangement of identical units of the shelf shown in FIG. 5; and,
 FIG. 14 is a partially exploded isometric view of an eighth embodiment, the only difference being the vertical arrangement of the shelves shown in FIGS. 1 and 2, shown broken away to indicate the indeterminate height.
 The views not shown of the shelf units in FIGS. 1, 2, 3, 4, 12, 13, and 14 are substantially the same as in the fifth embodiment shown in FIGS. 5-11.
 FIGS. 12, 13 and 14 are shown exploded to indicate that an indefinite number of other units may be added, in addition to disclosing the relationship of the top caps and extenders to the shelf units in FIGS. 12 and 14.

1 Claim, 14 Drawing Sheets



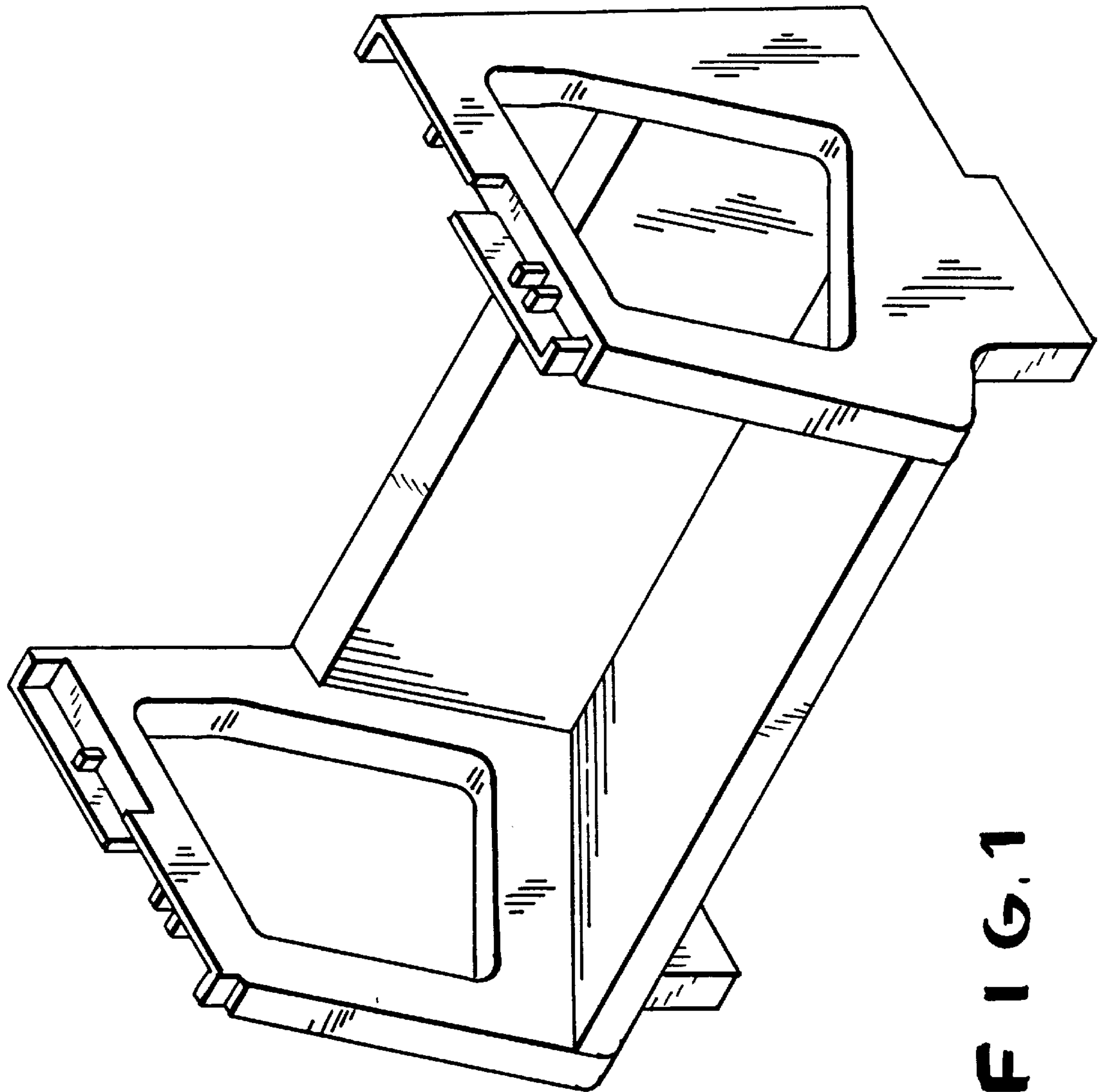


FIG. 1

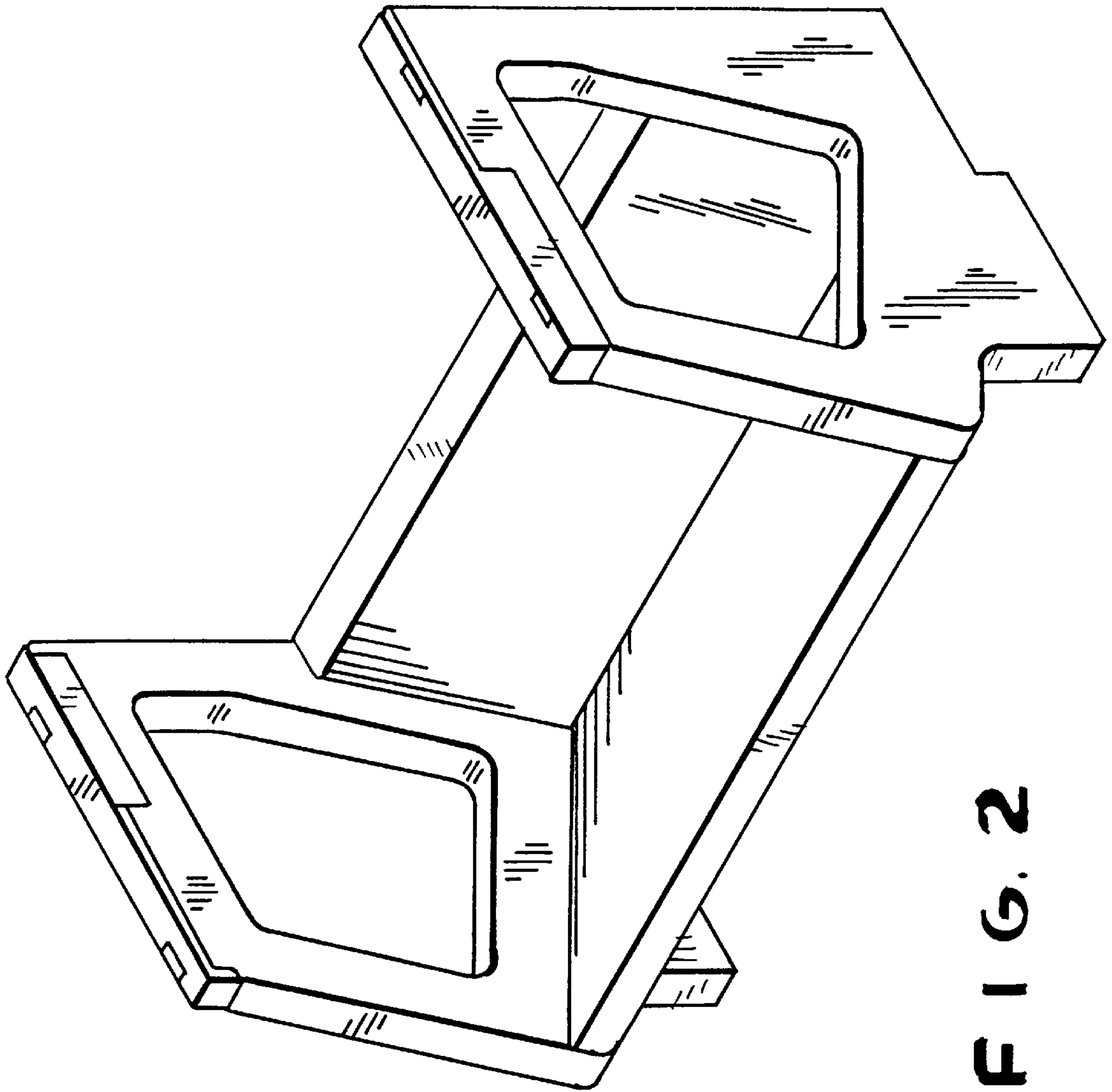


FIG. 2

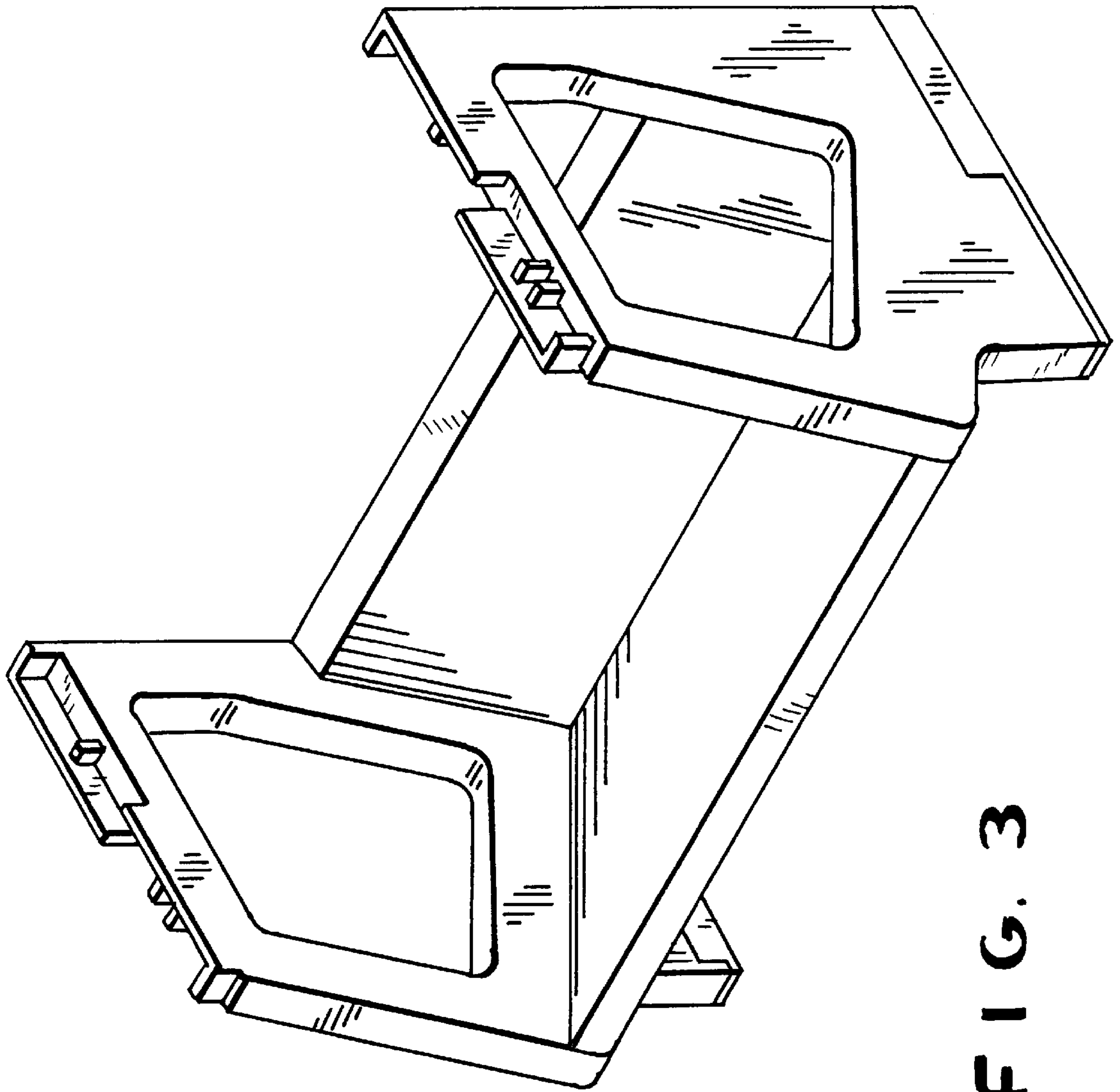


FIG. 3

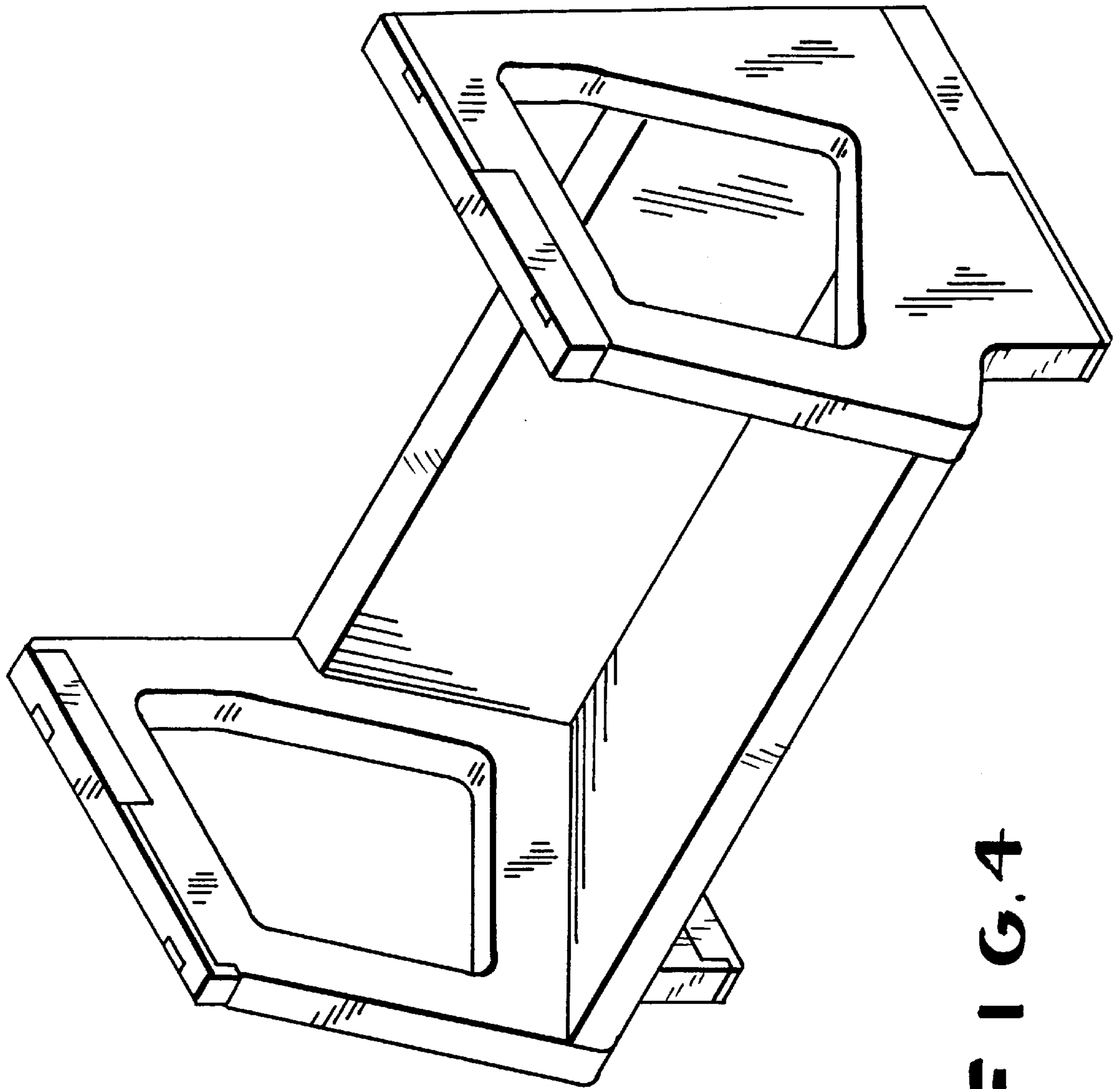


FIG. 4

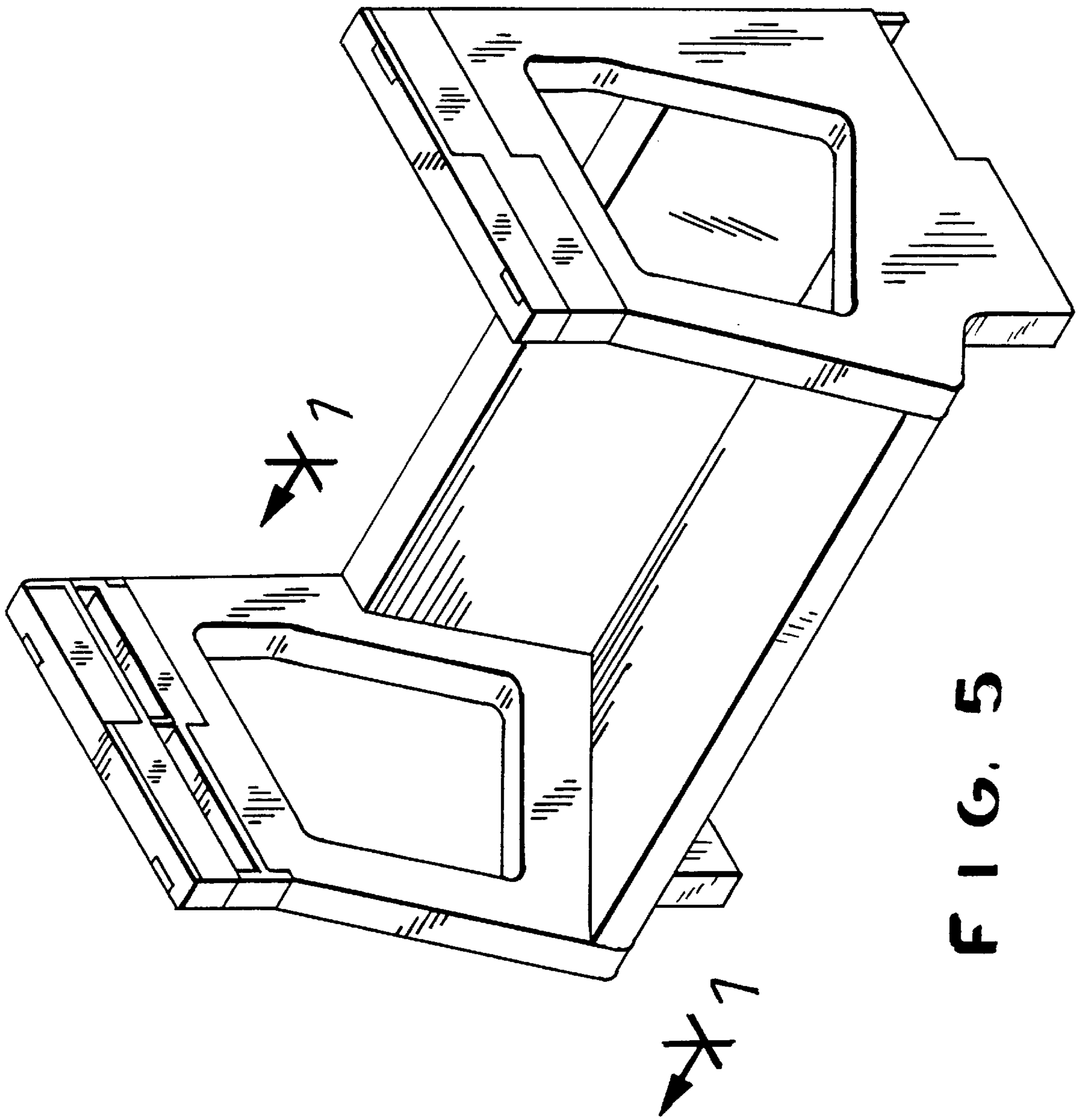


FIG. 5

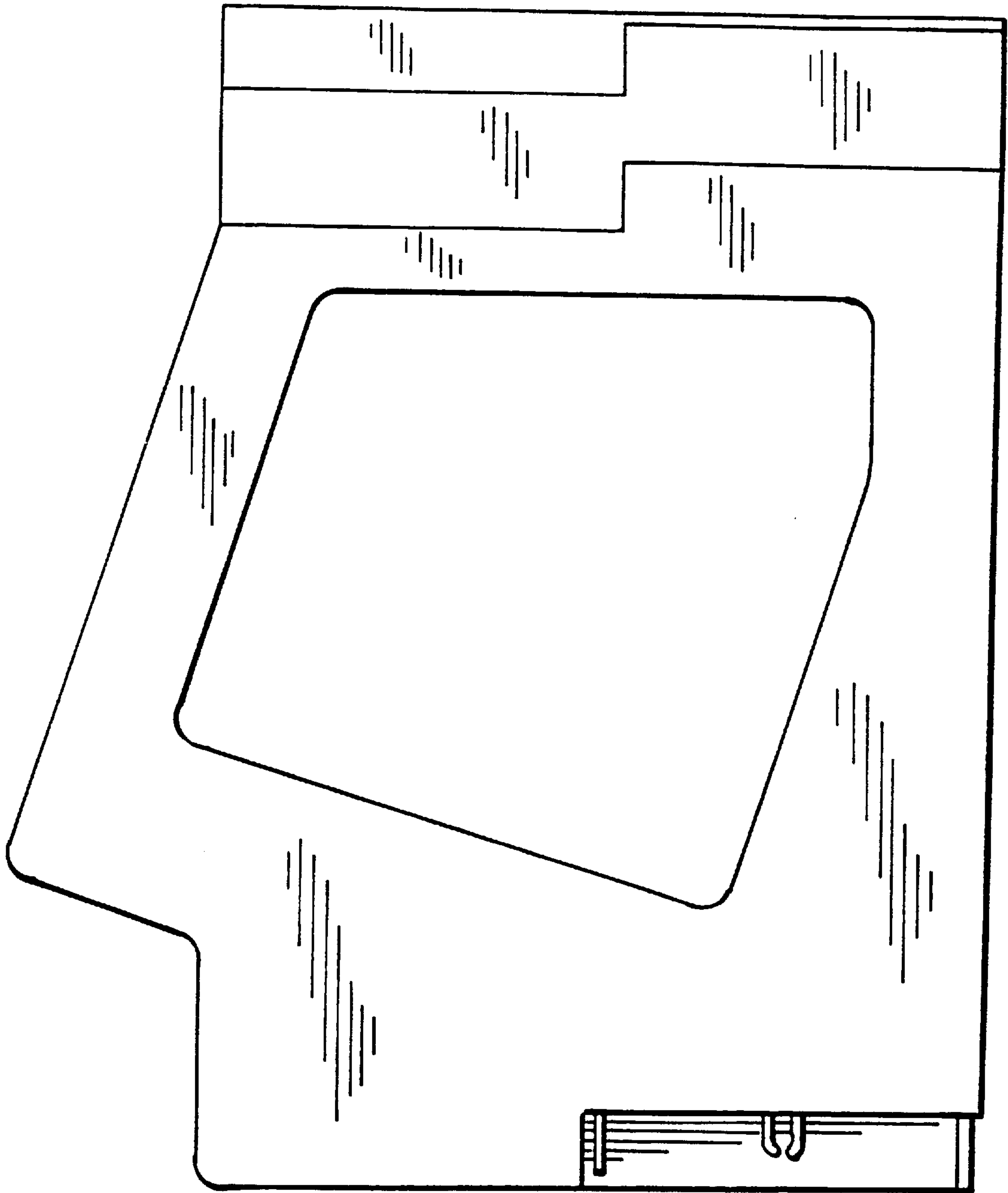


FIG. 6

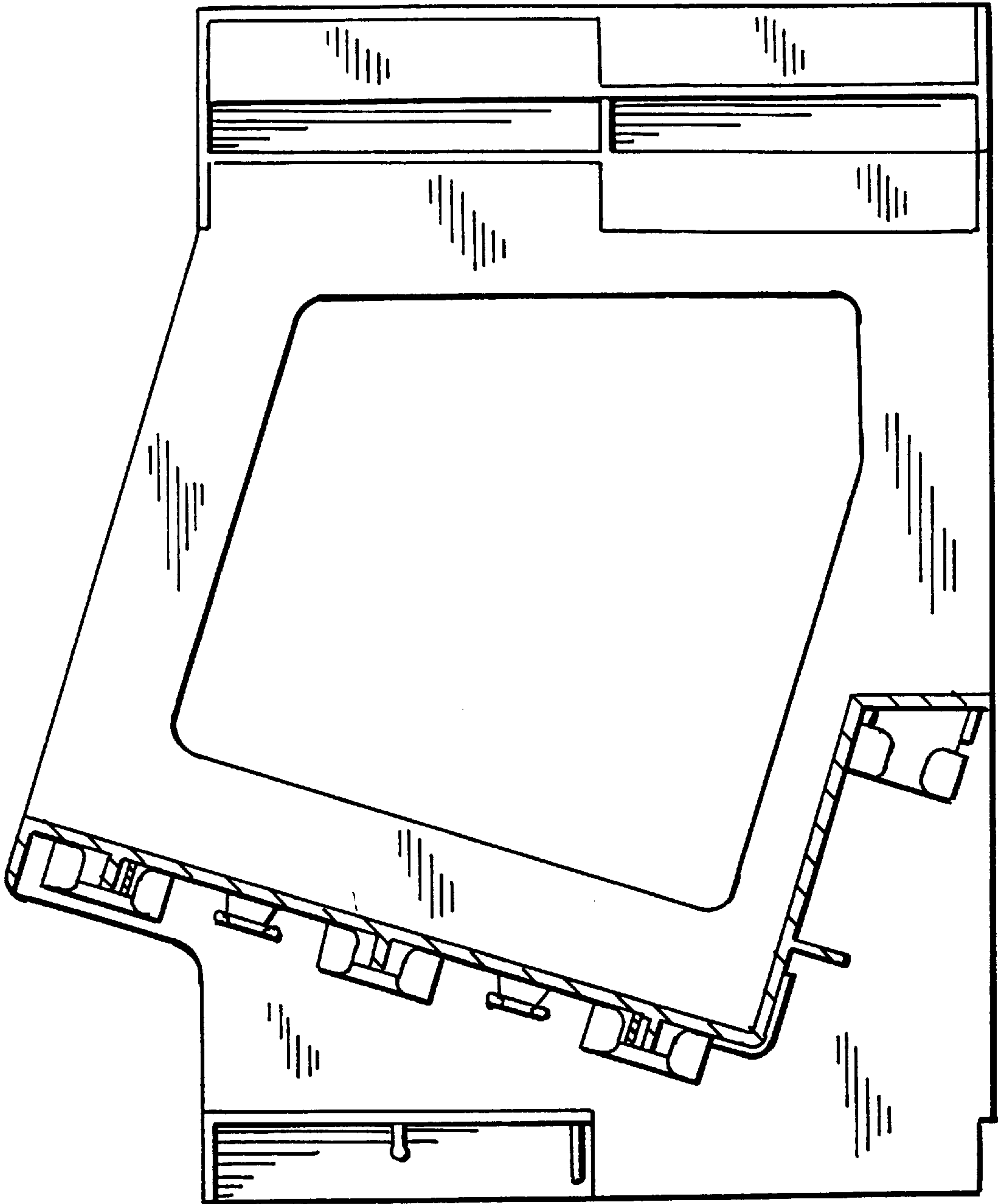


FIG. 7

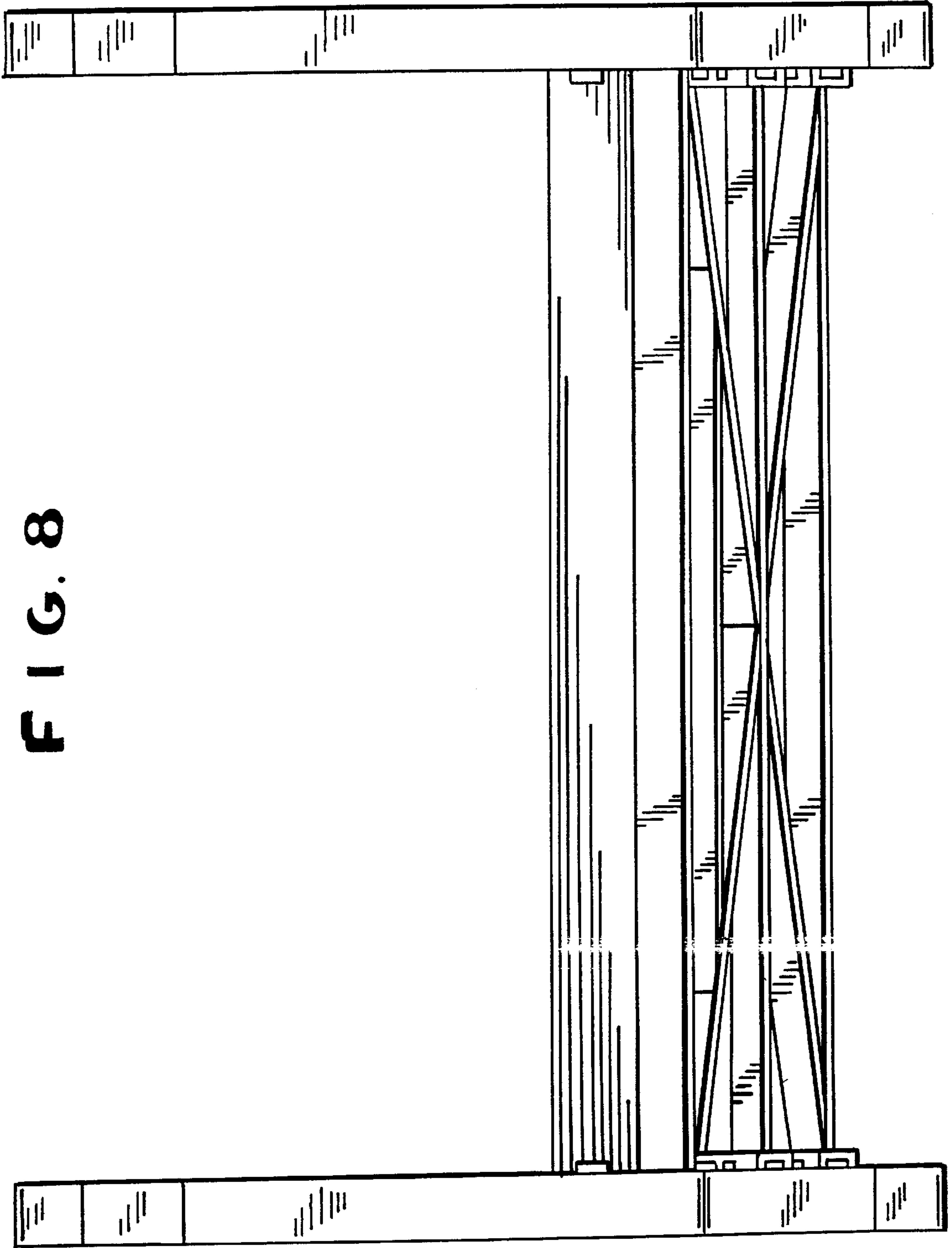


FIG. 8

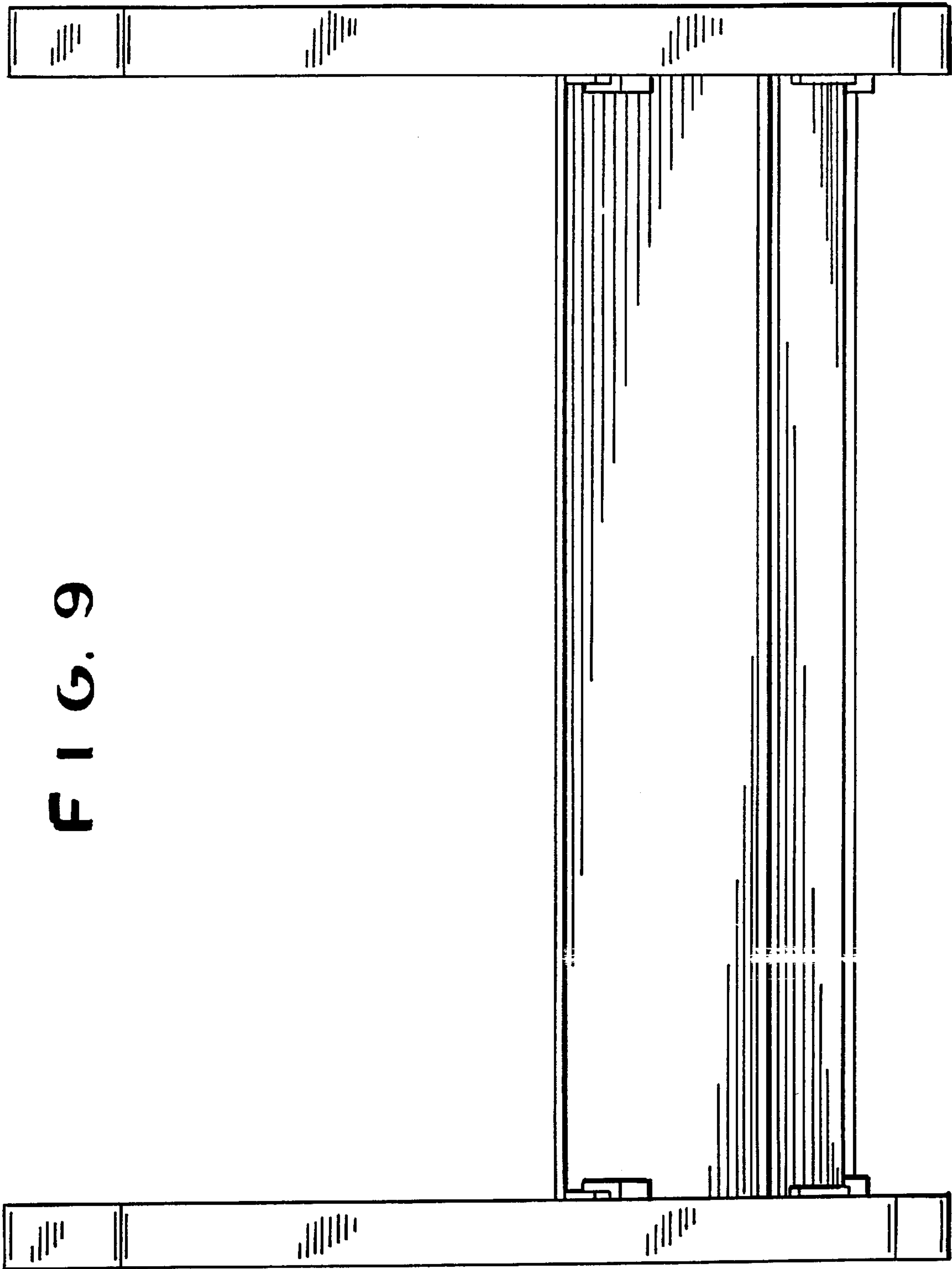


FIG. 9

FIG. 10

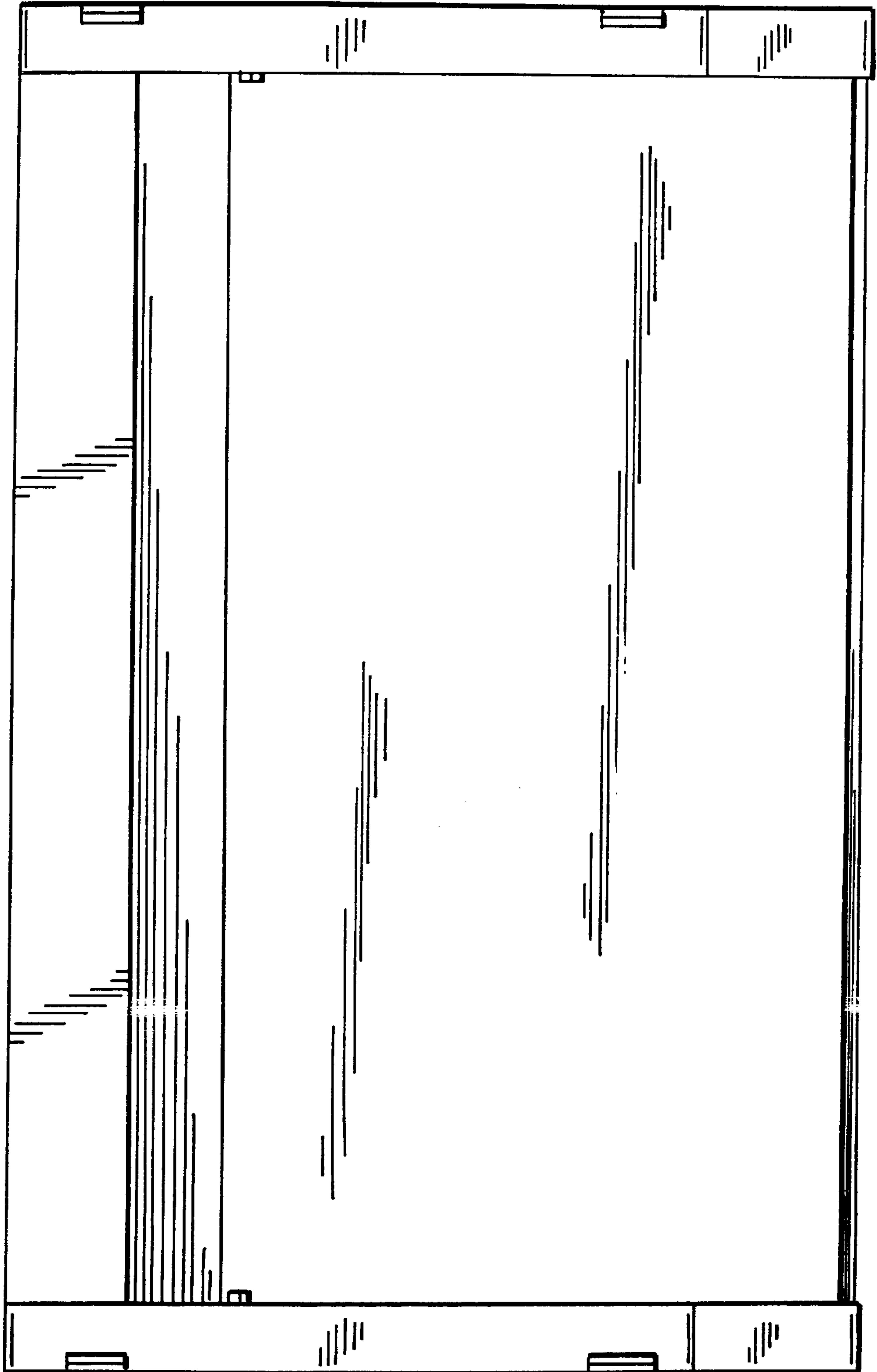


FIG. 11

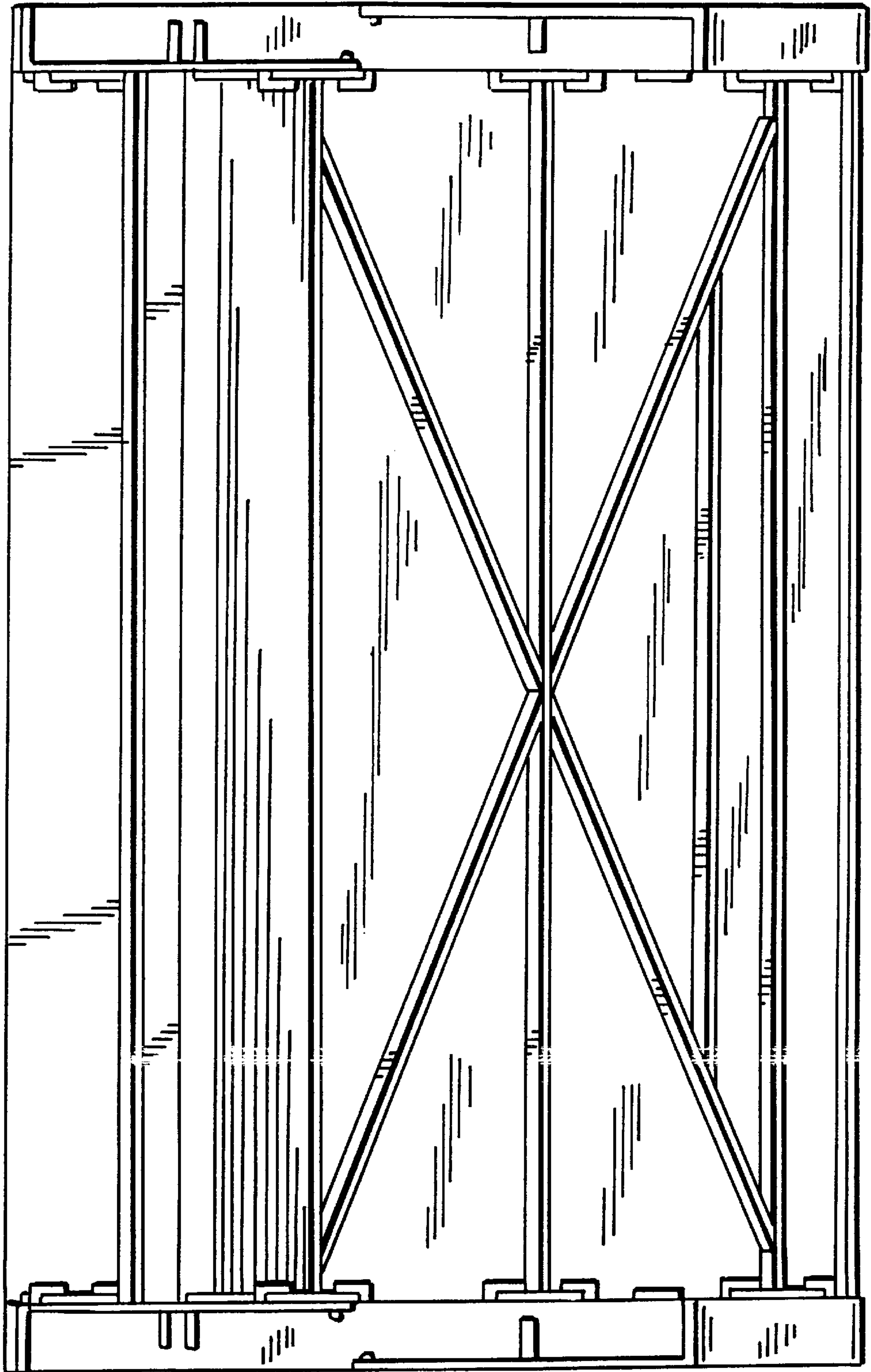


FIG. 12

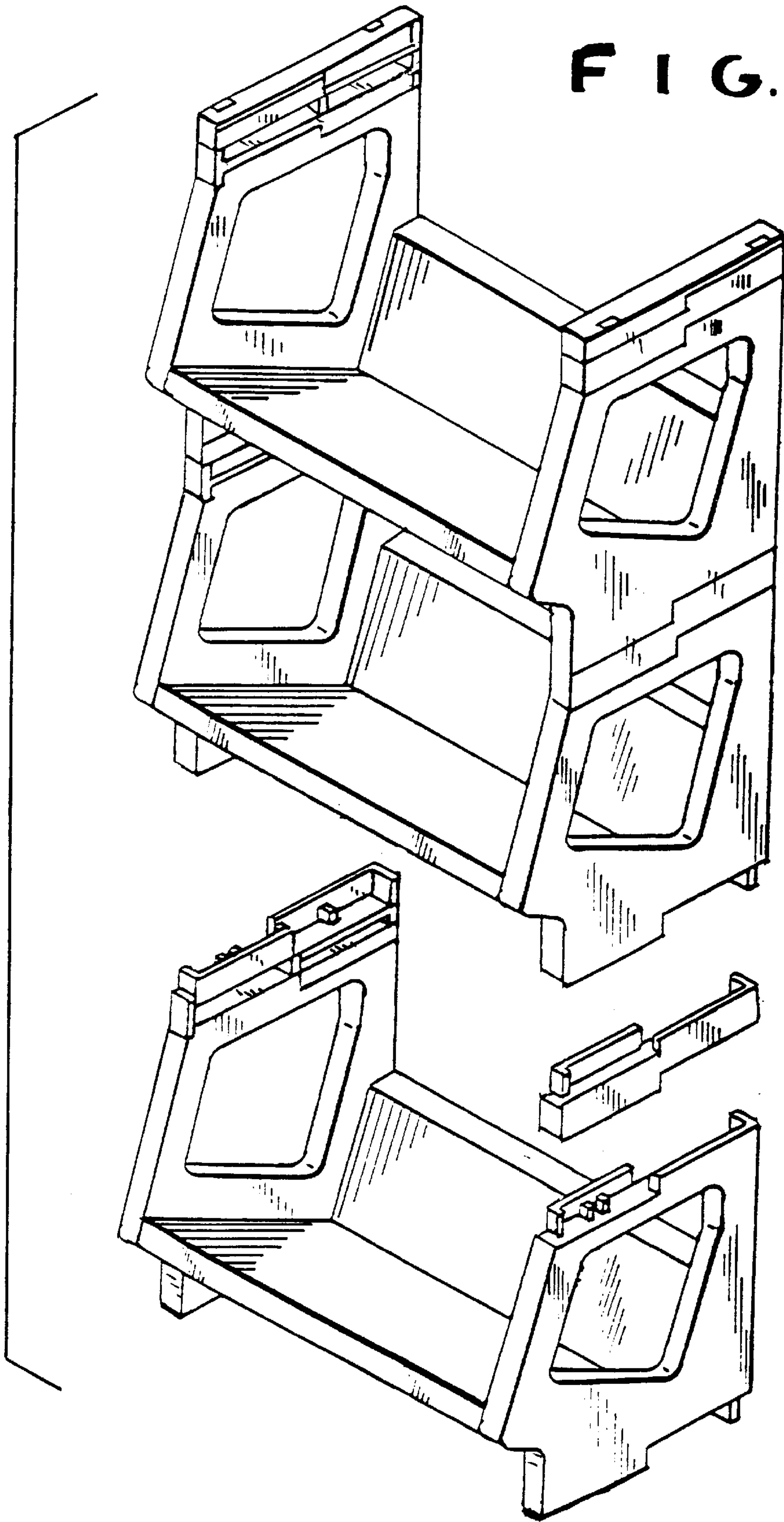


FIG. 13

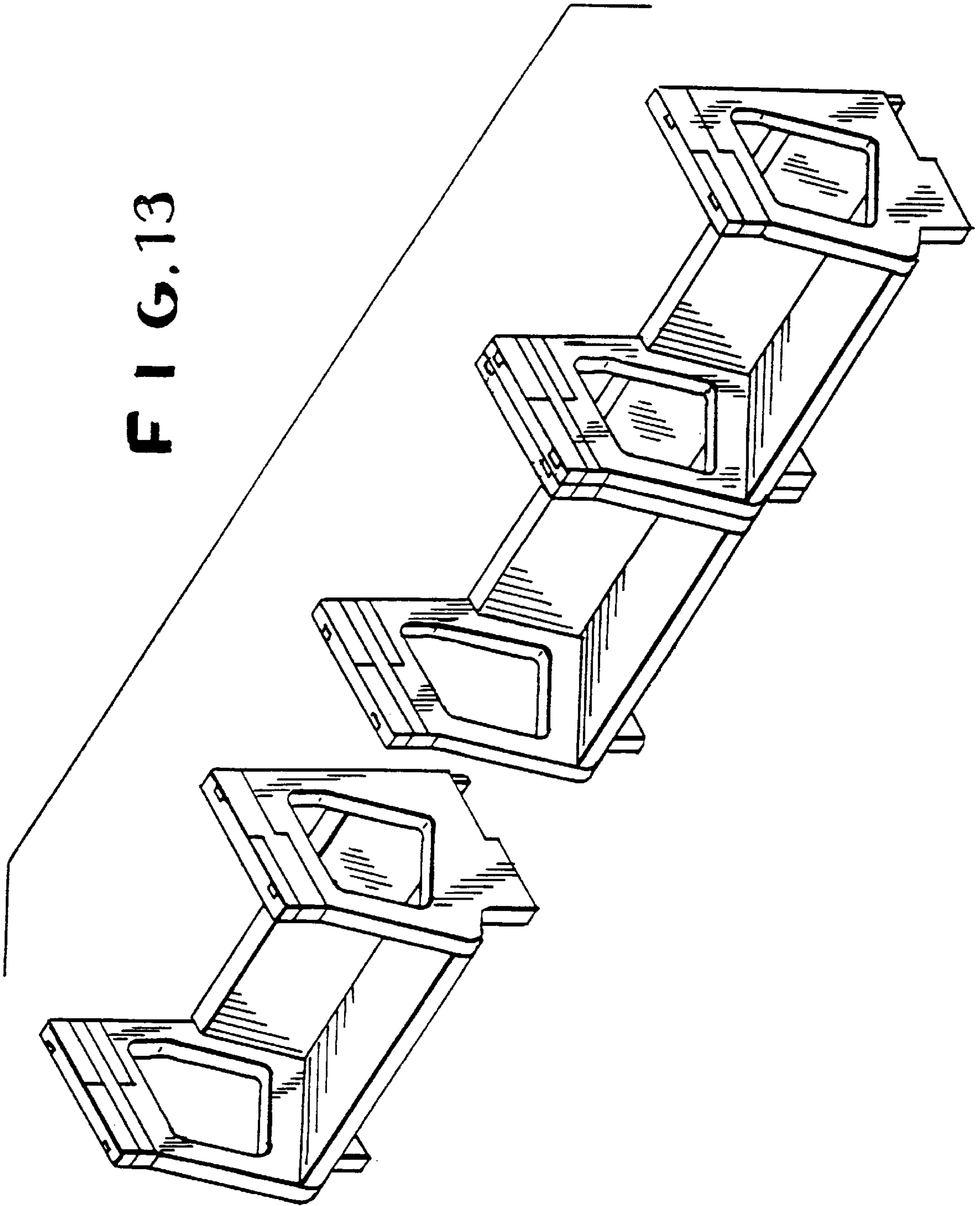


FIG. 14

