



US00D426085S

United States Patent [19] Shu-Fen

[11] **Patent Number: Des. 426,085**
[45] **Date of Patent: ** Jun. 6, 2000**

[54] COMPUTER TABLE DESIGN

[75] Inventor: **Shih Shu-Fen**, Changhua Hsien, Taiwan

[73] Assignee: **Yih Mong Industrial**, Chang Hua Hsien, Taiwan

[**] Term: **14 Years**

[21] Appl. No.: **29/104,664**

[22] Filed: **May 10, 1999**

[51] **LOC (7) Cl.** **06-04**

[52] **U.S. Cl.** **D6/426; D6/474**

[58] **Field of Search** D6/422-428, 429, D6/419, 426, 477, 474, 464; 312/194-196, 204, 208.1; 108/50.01, 50.02

[56] **References Cited**

U.S. PATENT DOCUMENTS

D. 315,261	3/1991	Ng et al.	D6/426
D. 330,297	10/1992	Keong	D6/426
D. 330,298	10/1992	Keong	D6/426

OTHER PUBLICATIONS

A&D Wholesale Furniture, p.M60, table at lower right corner.

Jacobs Gardner 1988, p.72, table at top right.

Primary Examiner—Janice E. Seeger
Attorney, Agent, or Firm—Harrison & Egbert

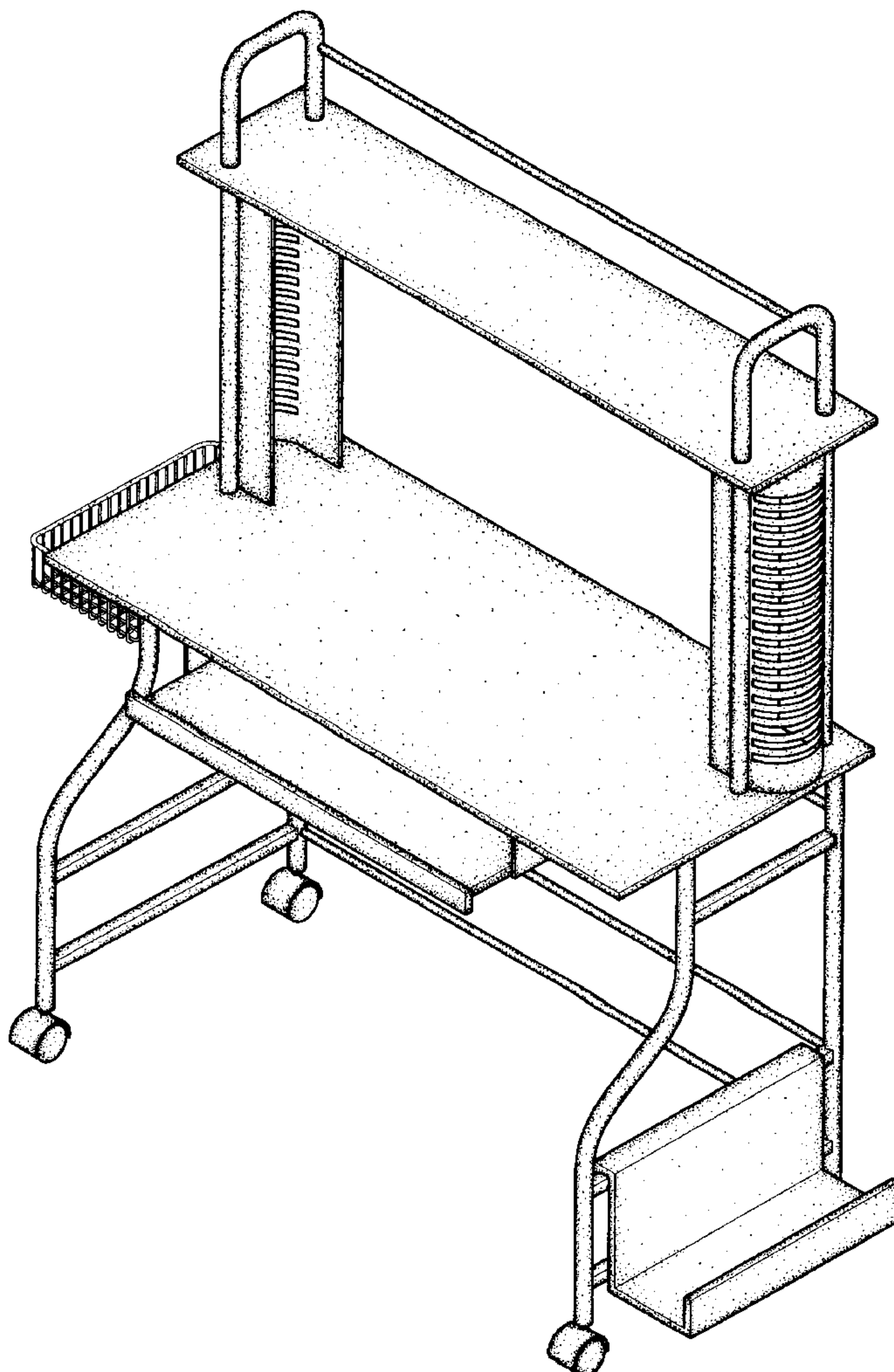
[57] **CLAIM**

The ornamental design for a computer table design, as shown and described.

DESCRIPTION

FIG. 1 is an upper perspective view of a computer table design showing my design.
FIG. 2 is a side view thereof;
FIG. 3 is a top view thereof;
FIG. 4 is a front view thereof;
FIG. 5 is a bottom view thereof;
FIG. 6 is an opposite side view thereof; and,
FIG. 7 is a back view thereof.

1 Claim, 4 Drawing Sheets



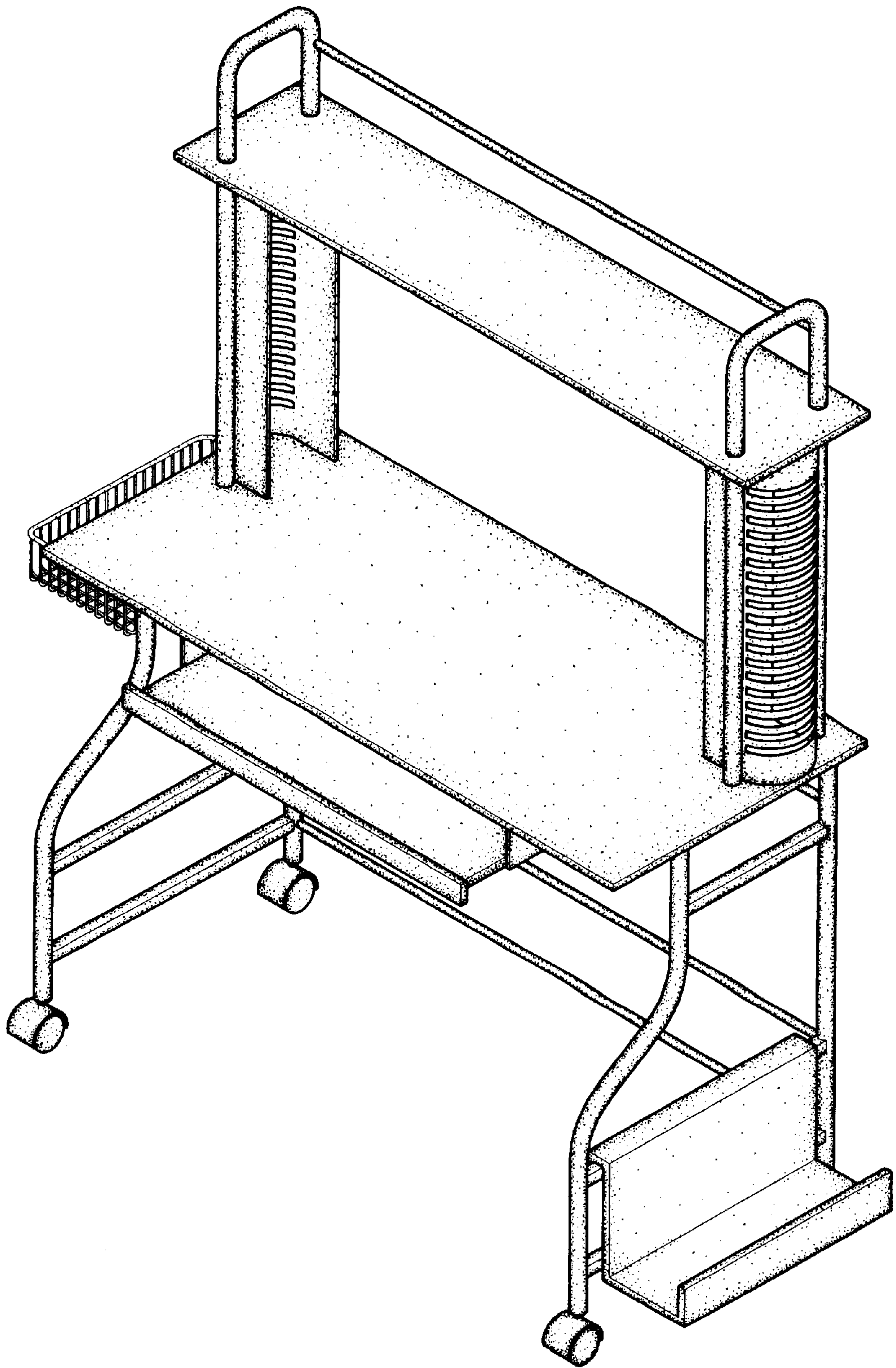


FIG. 1

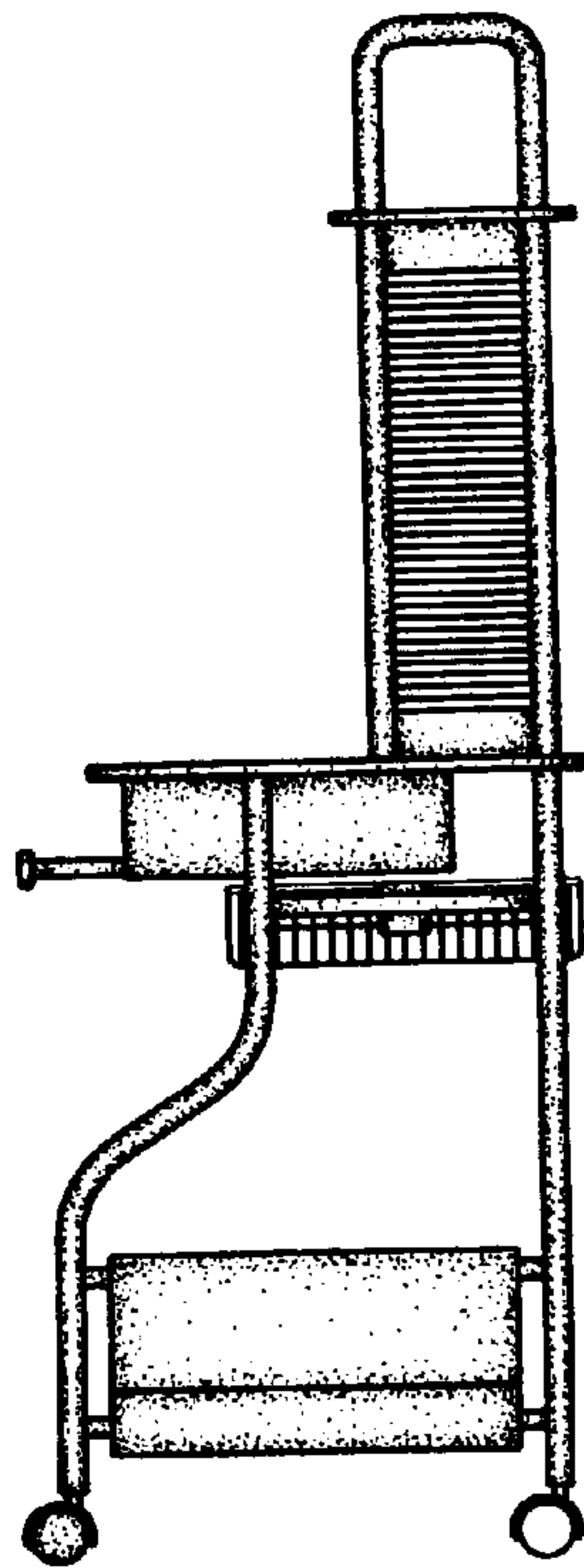


FIG. 2

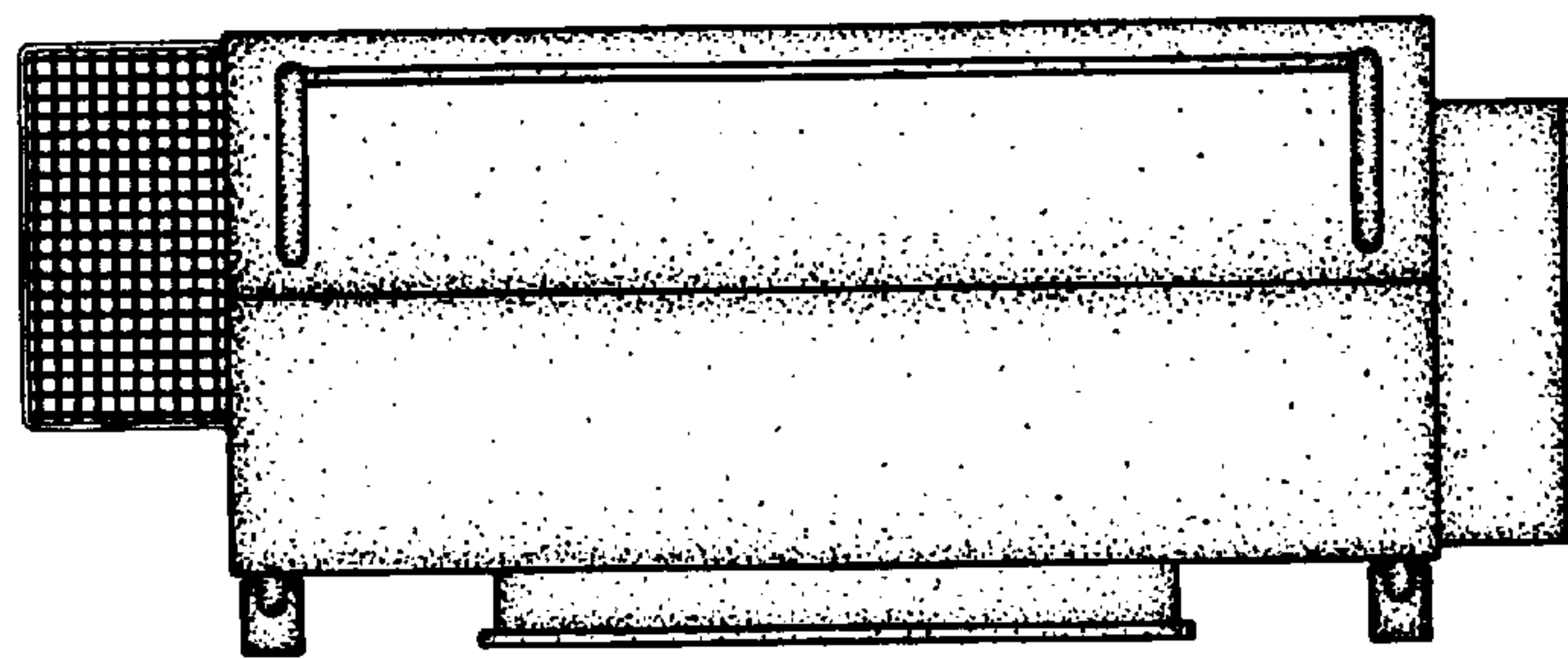


FIG. 3

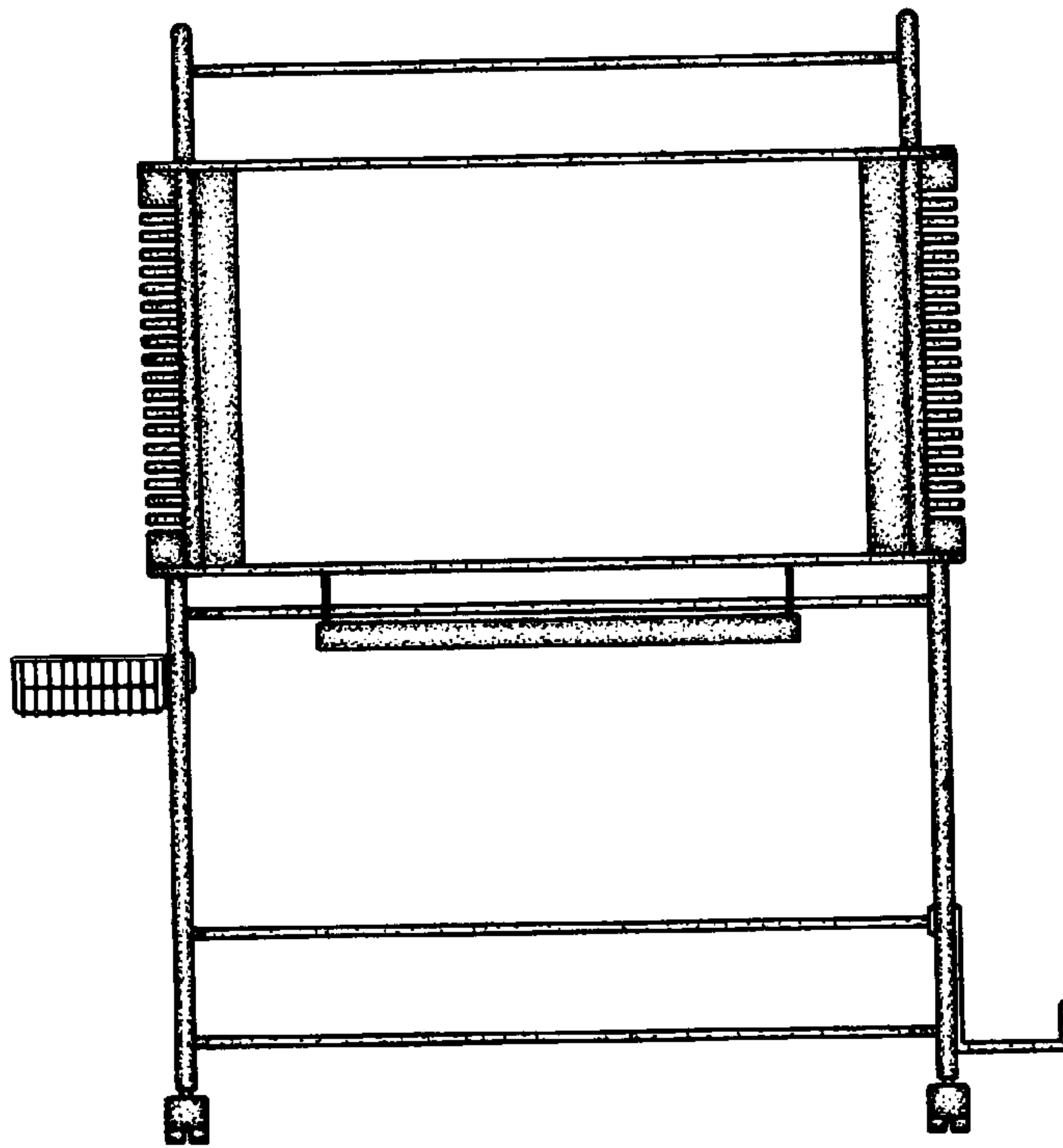


FIG. 4

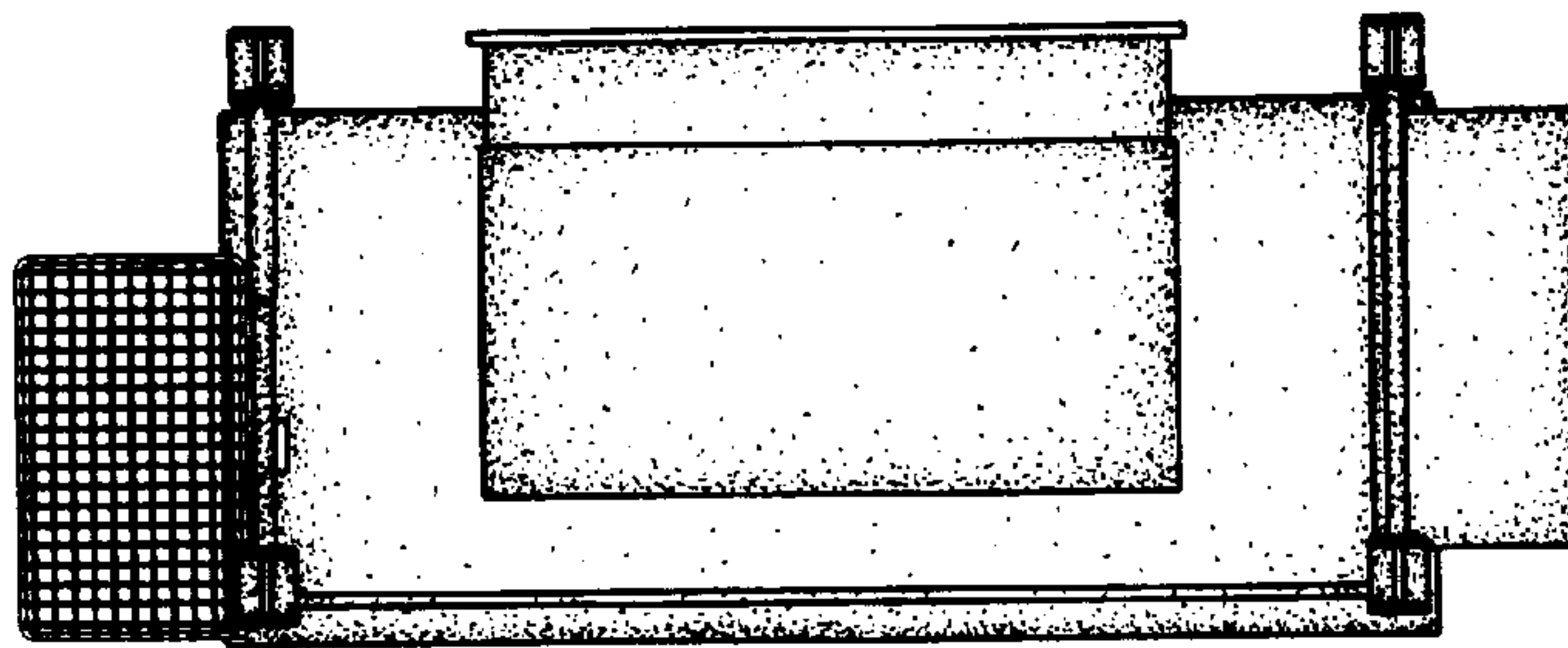


FIG. 5

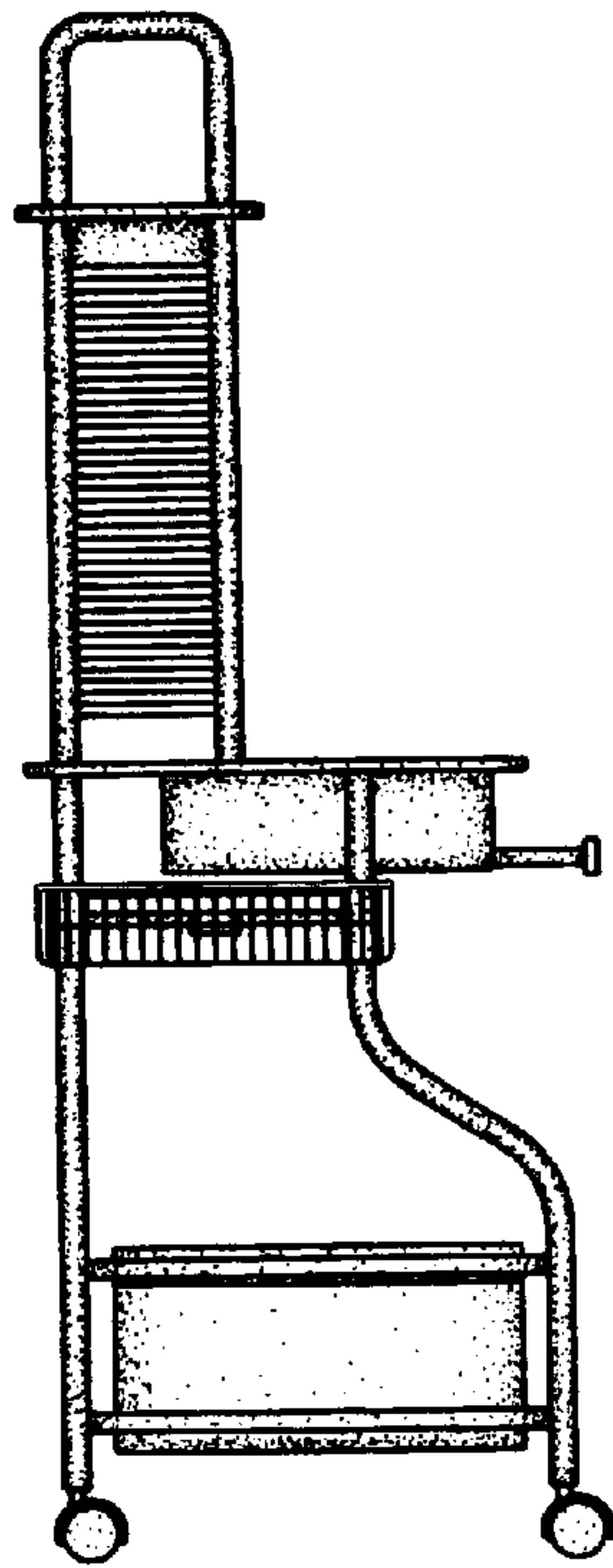


FIG. 6

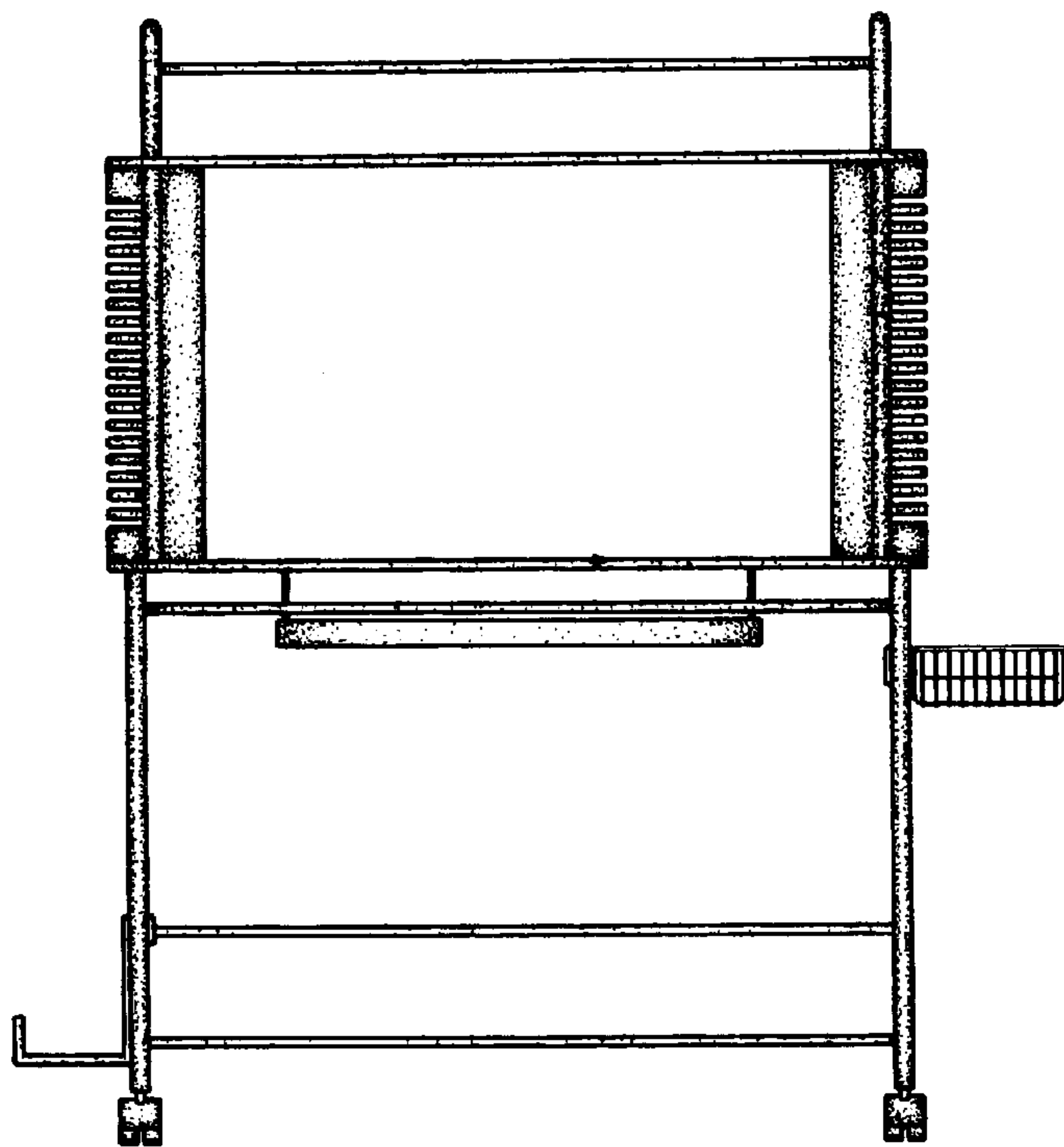


FIG. 7