



US00D426084S

# United States Patent [19] Kim

[11] **Patent Number: Des. 426,084**  
[45] **Date of Patent: \*\* Jun. 6, 2000**

[54] **LOCKING PLATE FOR TAPE CASE**

[76] Inventor: **Jee Tae Kim**, 2757 the Mews,  
Northbrook, Ill. 60062

[\*\*] Term: **14 Years**

[21] Appl. No.: **29/097,618**

[22] Filed: **Dec. 10, 1998**

### [30] Foreign Application Priority Data

Jun. 11, 1998 [KR] Rep. of Korea ..... 98-9544

[51] **LOC (7) Cl.** ..... **06-04**

[52] **U.S. Cl.** ..... **D6/407**

[58] **Field of Search** ..... D3/201-215, 219;  
D8/346; D6/407, 408, 626, 627, 628, 629,  
630, 631, 632, 633, 634, 635; D14/114;  
206/382.1, 387.13, 387.15, 315; 242/347.1,  
597.6; 360/132; 70/63, 14; 220/324; 292/288;  
312/9.1

### [56] References Cited

#### U.S. PATENT DOCUMENTS

D. 221,915	9/1971	Goldthwaite et al.	.....	D6/407
D. 258,717	3/1981	Williams	.....	D8/346
3,593,845	7/1971	Schwartz	.....	206/387.1
3,896,929	7/1975	Mills	.....	206/387.1
4,049,119	9/1977	Wilson	.....	206/387.13
4,304,331	12/1981	Minkow	.....	206/387.1
4,365,713	12/1982	Ekuan	.....	206/387.15
4,469,225	9/1984	Takahashi	.....	206/387.1
4,625,253	11/1986	Kawakami et al.	.....	242/347.1

4,655,057	4/1987	Derman	.....	70/14
5,101,307	3/1992	Mizuno et al.	.....	360/132
5,170,959	12/1992	Jin	.....	242/597.6
5,175,661	12/1992	Mizuno et al.	.....	360/132
5,184,268	2/1993	Mizuno et al.	.....	360/132
5,184,722	2/1993	Shin et al.	.....	206/449
5,431,281	7/1995	Marshall	.....	206/387.1
5,823,341	10/1998	Nakasuji	.....	206/387.11

*Primary Examiner*—Celia Murphy  
*Attorney, Agent, or Firm*—Knobbe, Martens, Olson & Bear, LLP

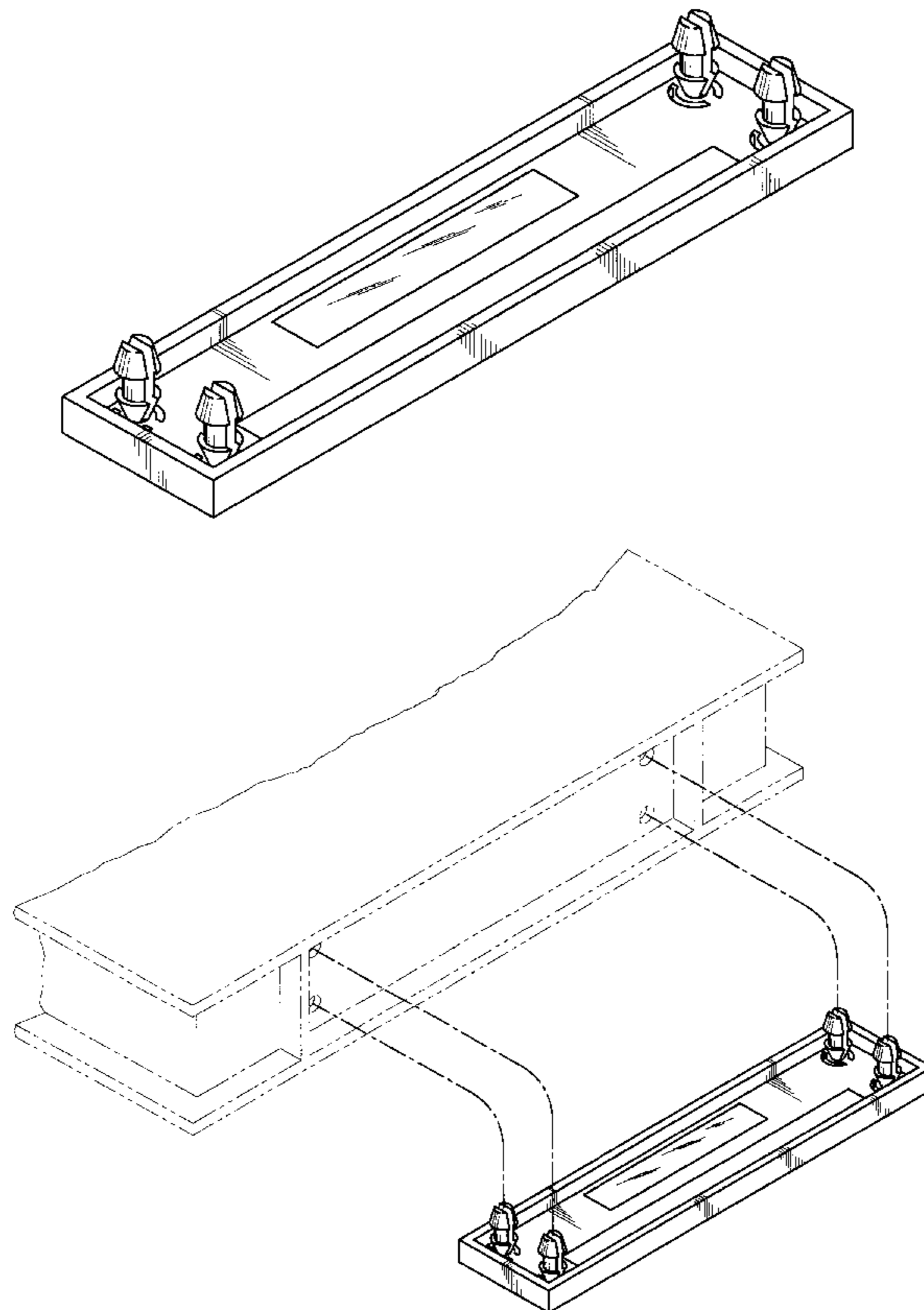
### [57] CLAIM

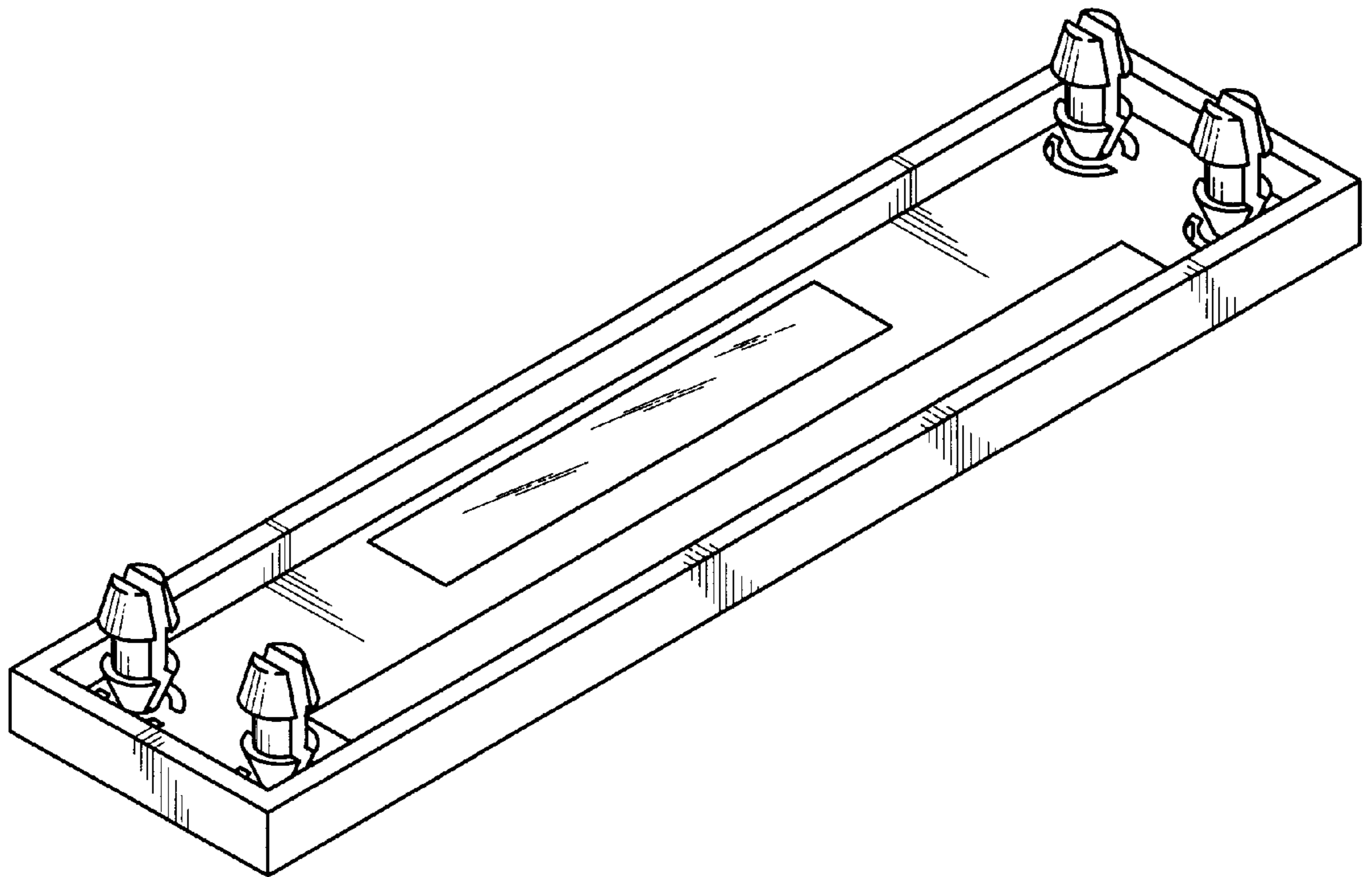
The ornamental design for a locking plate for tape case, as shown and described.

### DESCRIPTION

FIG. 1 is a top, front and left side perspective view of a locking plate for tape case of the present design;  
 FIG. 2 is a front elevational view;  
 FIG. 3 is a rear elevational view;  
 FIG. 4 is a top elevational view;  
 FIG. 5 is a bottom elevational view;  
 FIG. 6 is a left side elevational view;  
 FIG. 7 is a right side elevational view;  
 FIG. 8 is a sectional view taken along line A—A of FIG. 4; and,  
 FIG. 9 is a top, front and left side perspective view of the locking plate for tape case of the present design that is being attached to a tape case shown in broken lines.  
 The broken lines do not form any part of the claimed design.

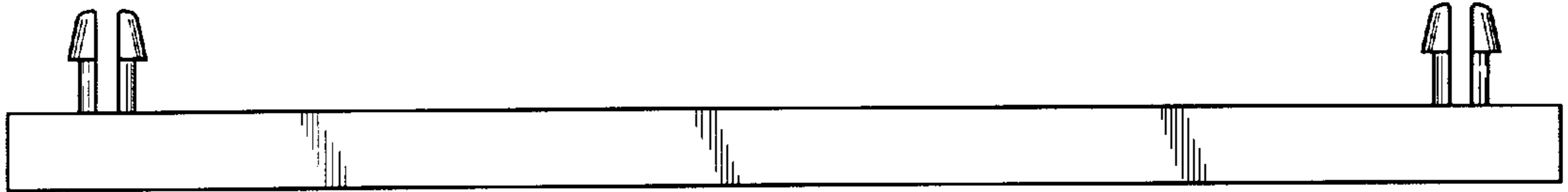
**1 Claim, 5 Drawing Sheets**



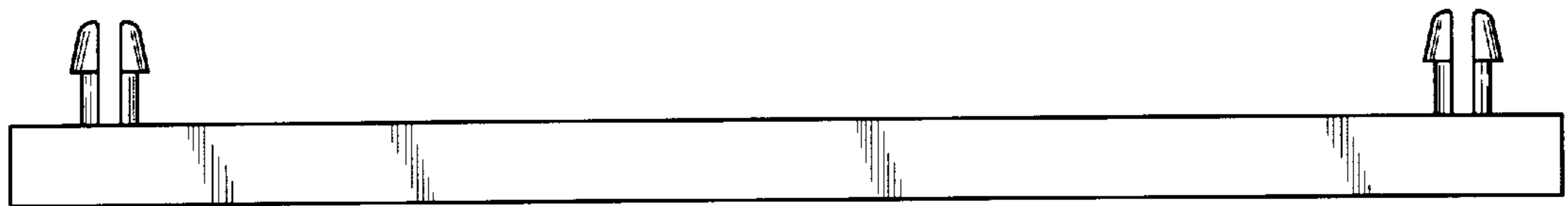


*FIG. 1*

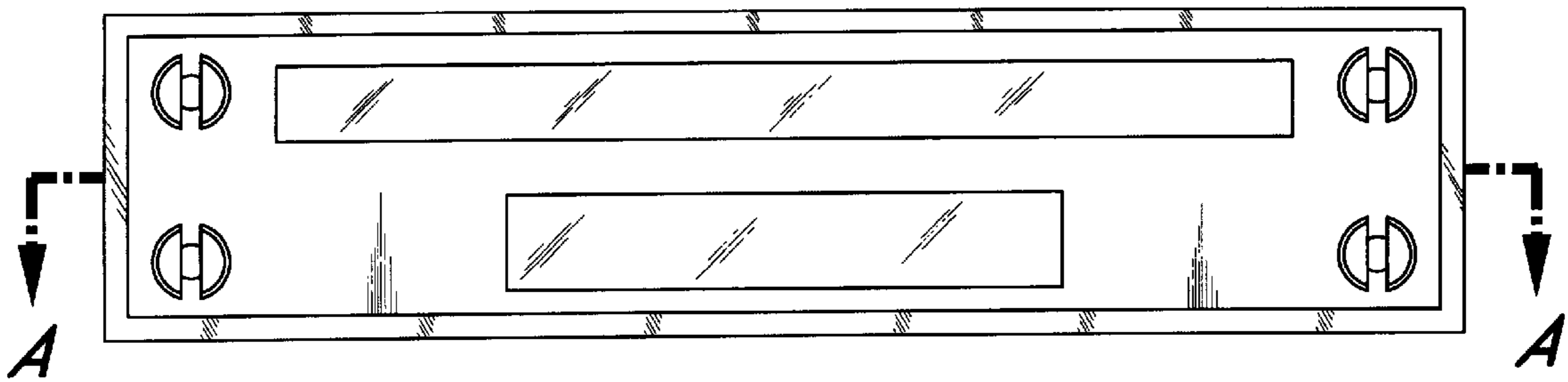
*FIG. 2*



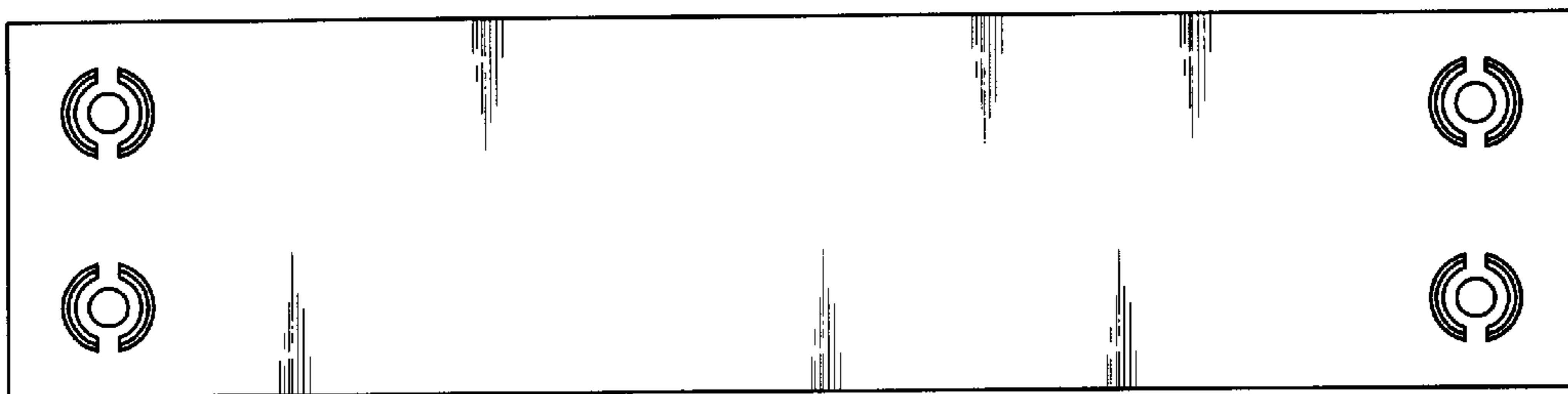
*FIG. 3*



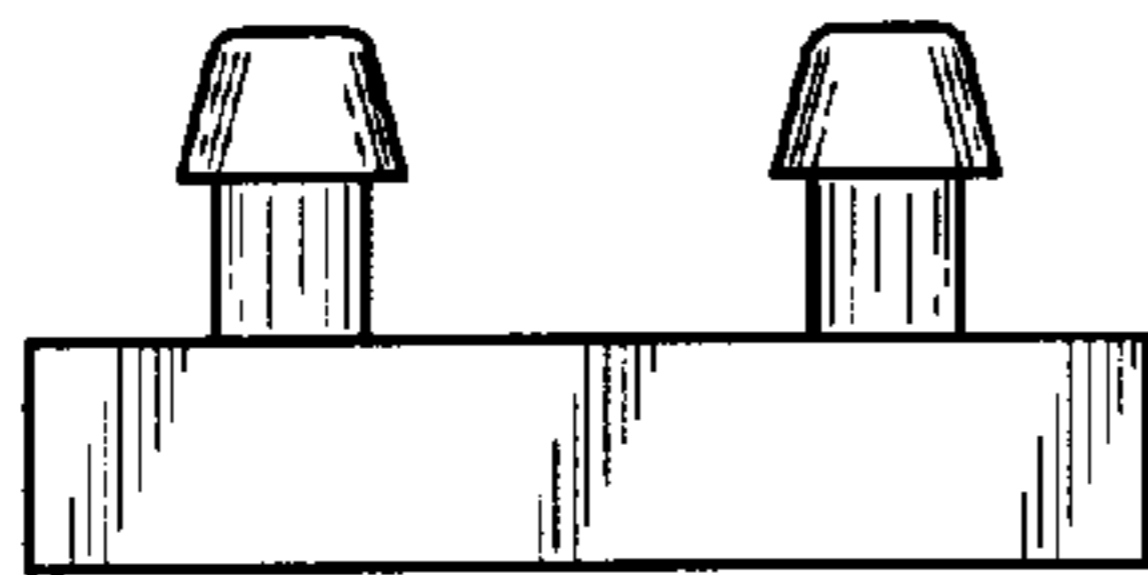
*FIG. 4*



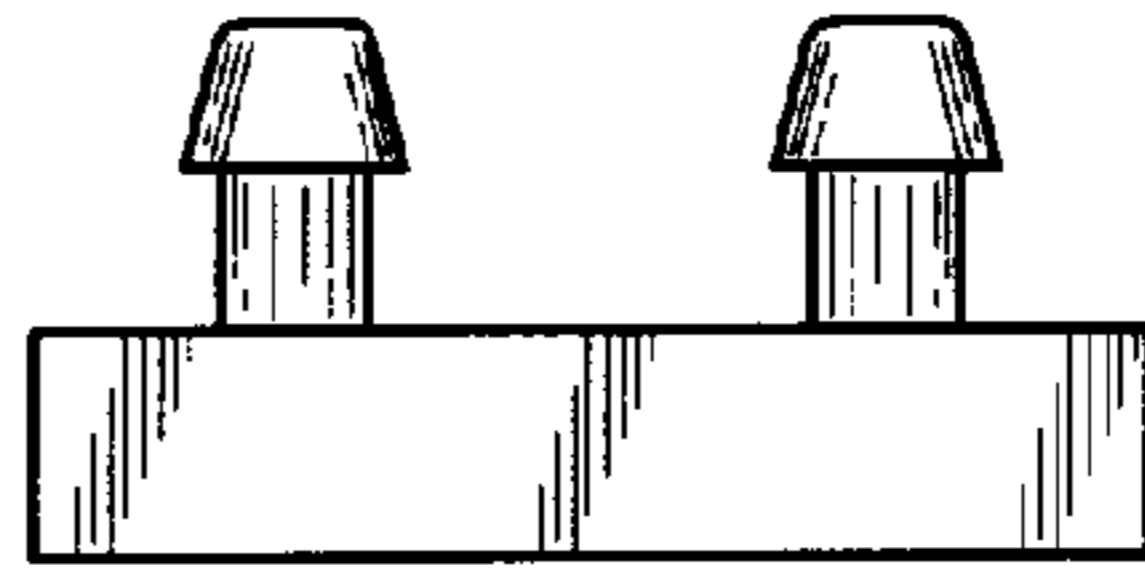
*FIG. 5*



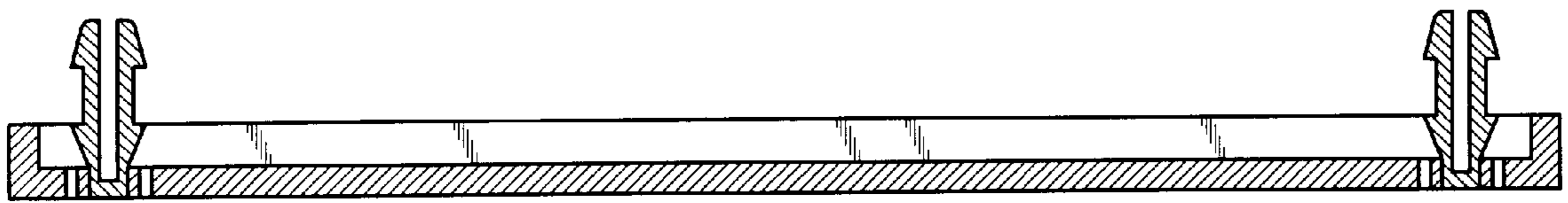
*FIG. 6*



*FIG. 7*



*FIG. 8*



*FIG. 9*

