



US00D426080S

United States Patent [19]
Hise, Jr.

[11] **Patent Number: Des. 426,080**
[45] **Date of Patent: ** Jun. 6, 2000**

[54] **ROCKING CHAIR BASE**

[76] Inventor: **Eugene C. Hise, Jr.**, 106 E. Irving La.,
Oak Ridge, Tenn. 37830

[**] Term: **14 Years**

[21] Appl. No.: **29/104,573**

[22] Filed: **May 7, 1999**

[51] **LOC (7) Cl.** **06-01**

[52] **U.S. Cl.** **D6/348**

[58] **Field of Search** D6/334, 335, 344,
D6/345, 348, 370, 371, 372, 373, 500-502;
297/258.1, 271.5, 271.6, 272.1, 423.2

[56] **References Cited**

U.S. PATENT DOCUMENTS

D. 102,046	11/1936	Wexelblatt	D6/348
D. 239,223	3/1976	Smith	D6/348
D. 329,340	9/1992	Miller	D6/373
D. 330,466	10/1992	Miller	D6/373

OTHER PUBLICATIONS

rocking chair, p. 14, Adden catalog.

Primary Examiner—Jeffrey Asch
Assistant Examiner—Mimosa De
Attorney, Agent, or Firm—Pitts & Brittan, P.C.

[57] **CLAIM**

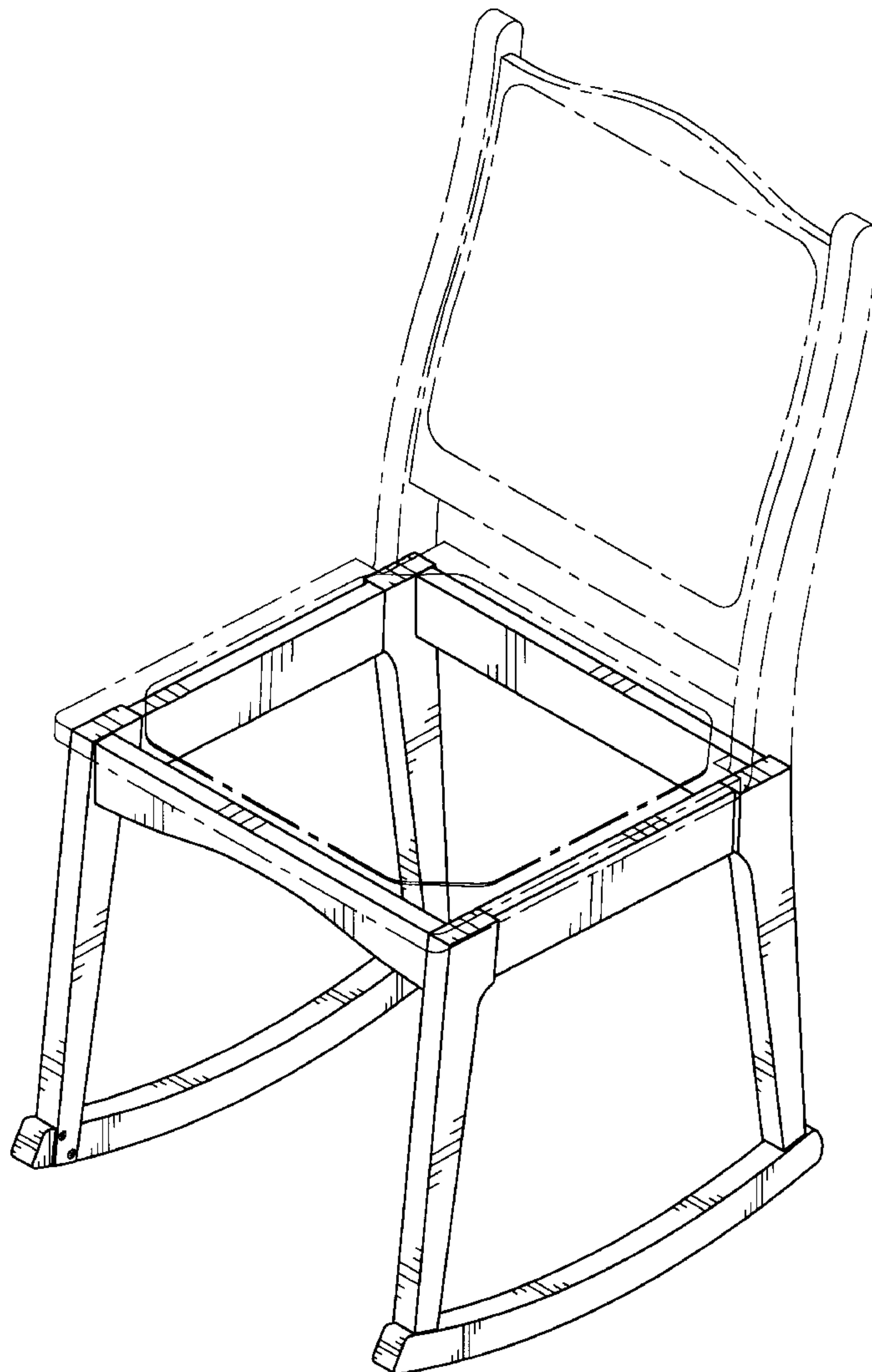
The ornamental design for a rocking chair base, as shown and described.

DESCRIPTION

FIG. 1 is a perspective view thereof;
FIG. 2 is a front view thereof;
FIG. 3 is a back view thereof;
FIG. 4 is a right side view thereof; a left side view being a mirror image thereof;
FIG. 5 is a top view thereof; and,
FIG. 6 is a bottom view thereof.

The broken lines shown in FIG. 1 are for illustrative purposes only and form no part of the claimed design.

1 Claim, 6 Drawing Sheets



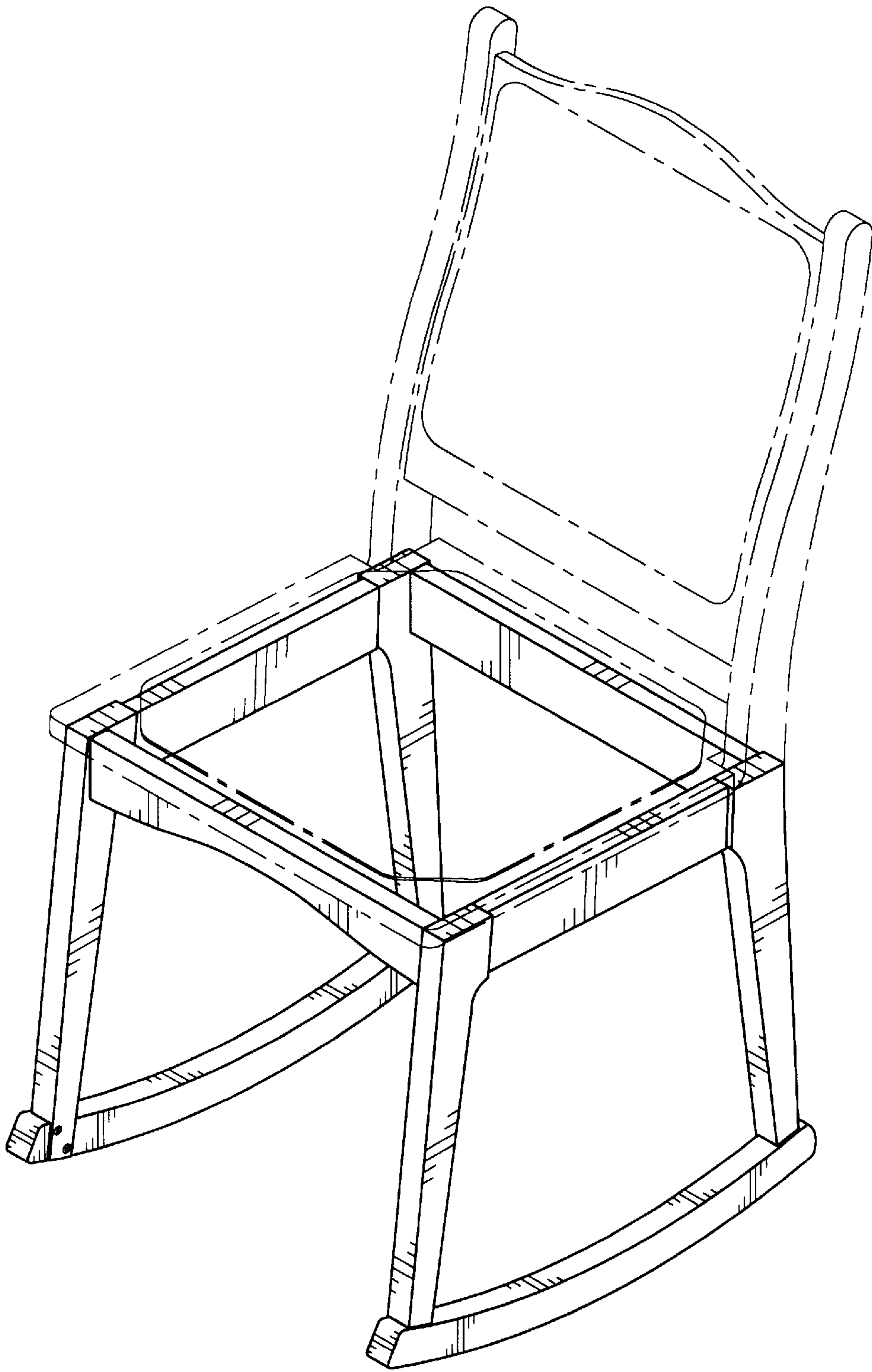


Fig. 1

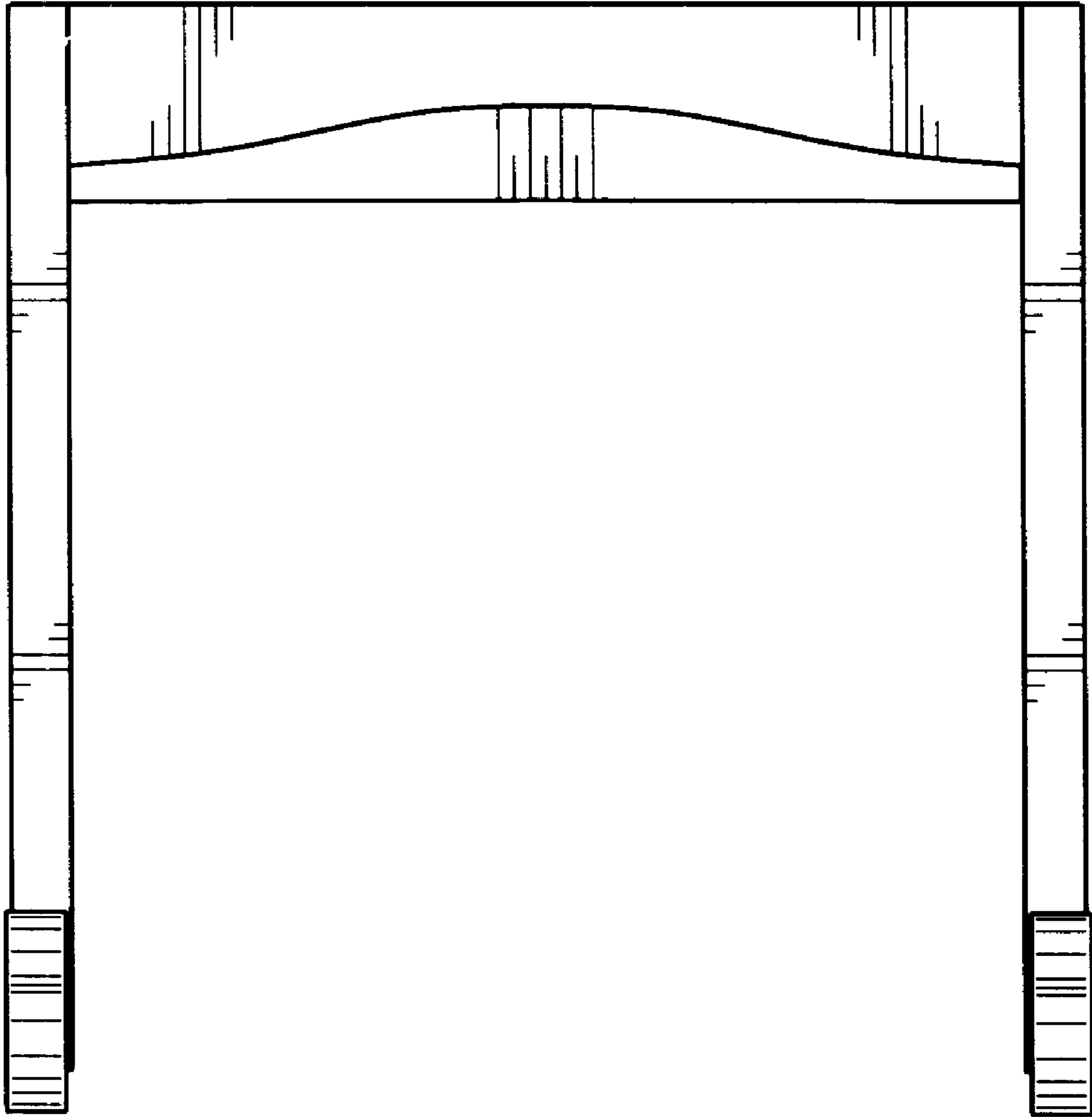


Fig. 2

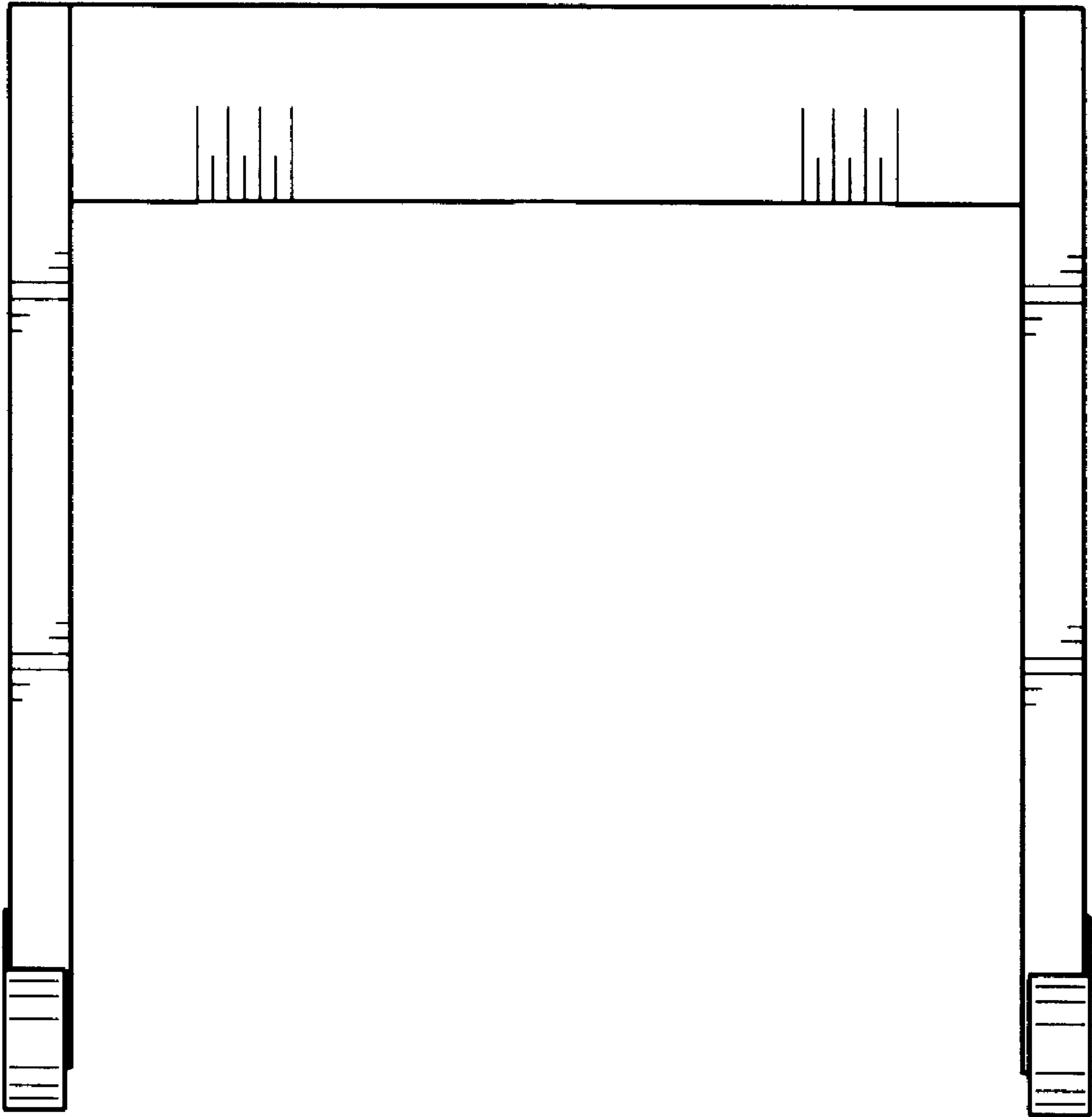


Fig. 3

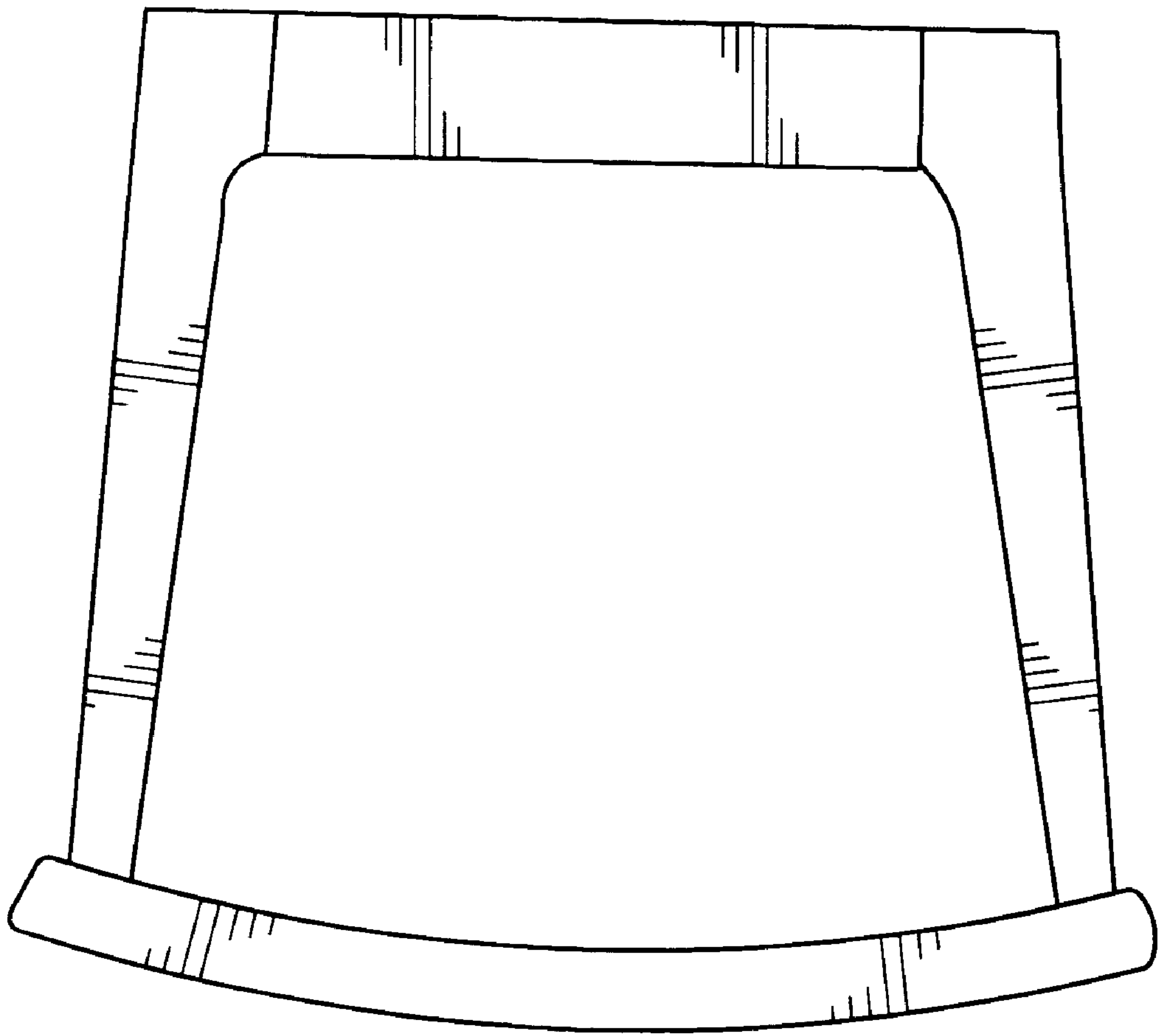


Fig. 4

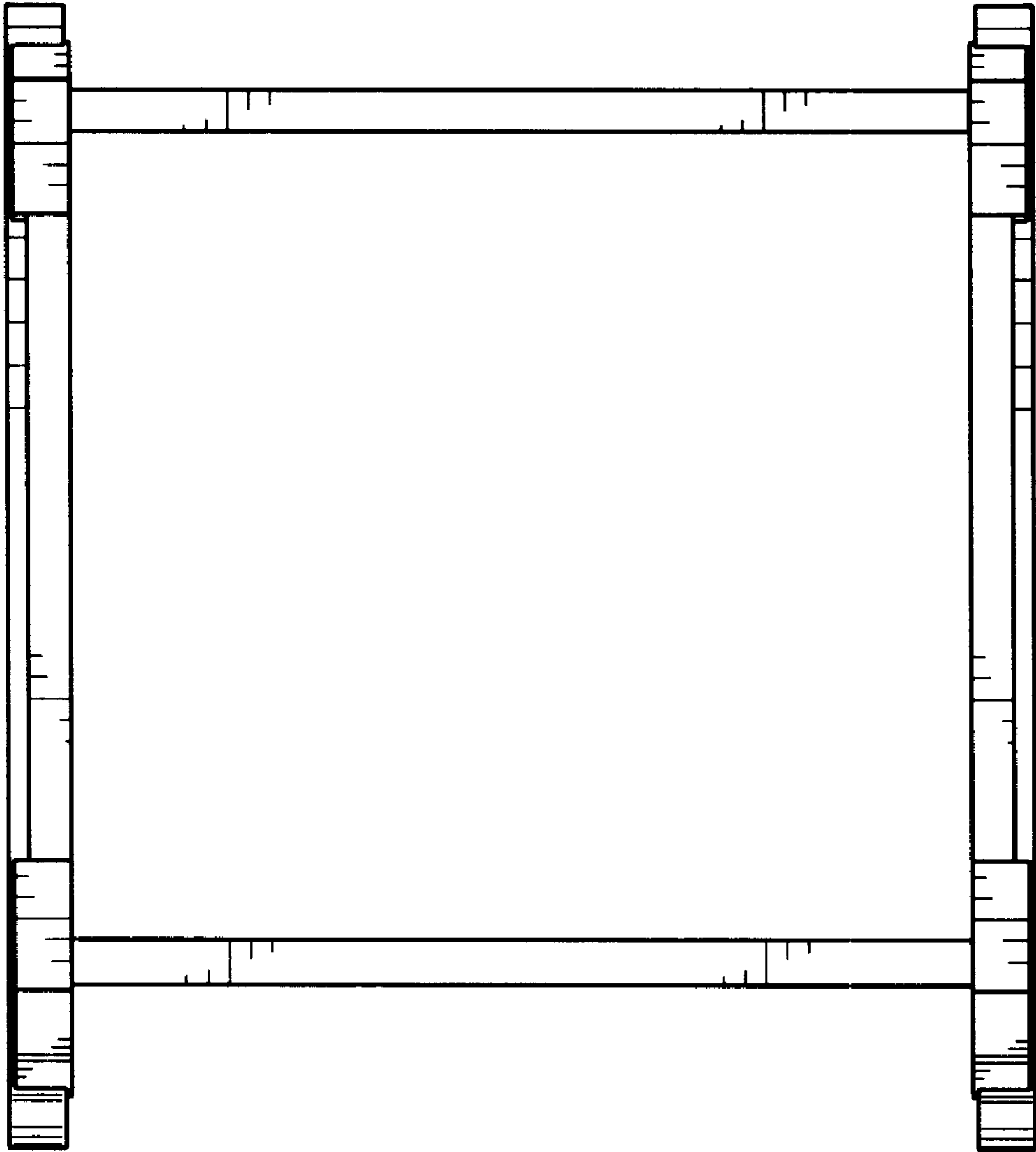


Fig. 5

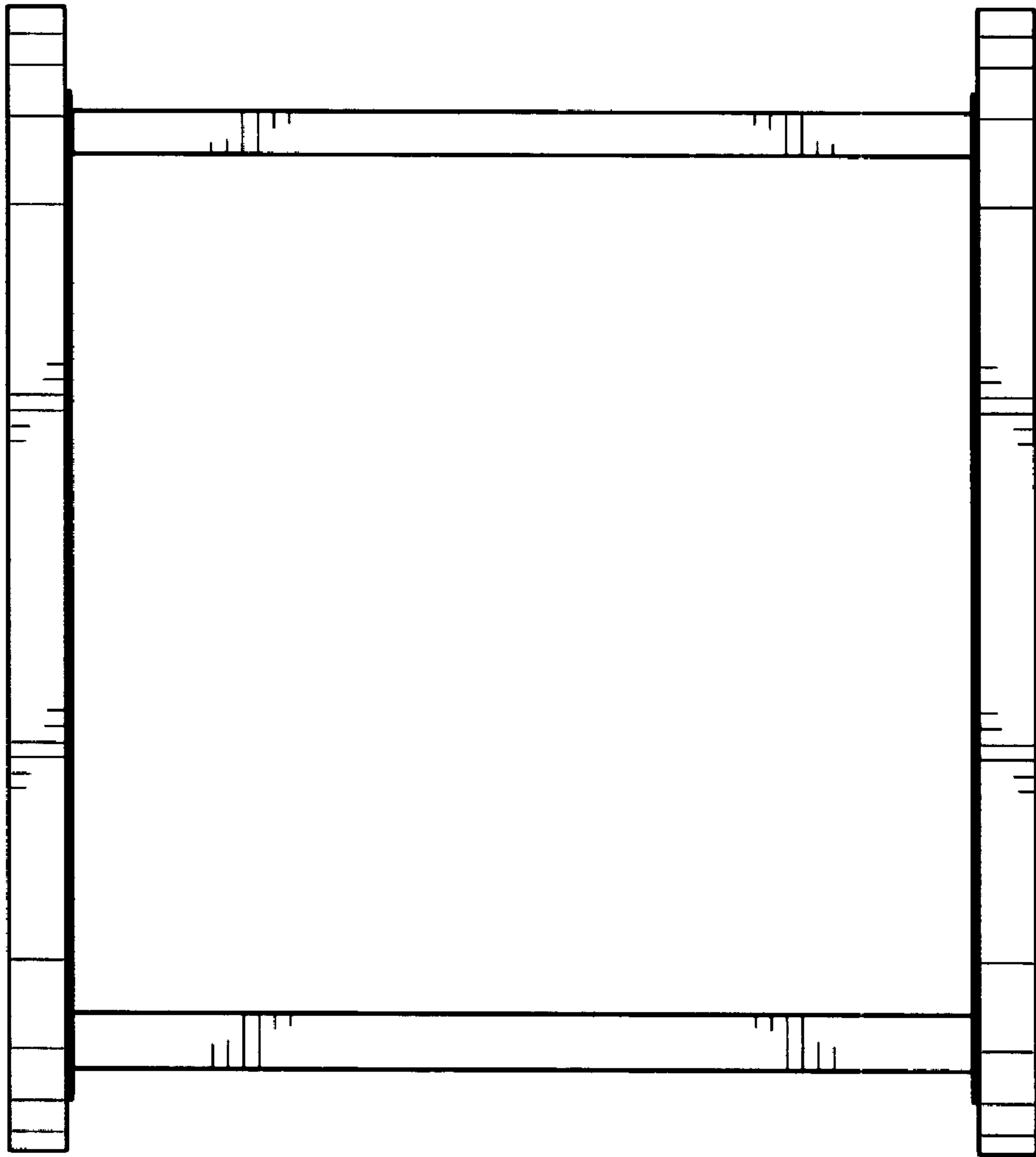


Fig. 6