



US00D426078S

United States Patent [19]

Lange, Jr.

[11] Patent Number: Des. 426,078

[45] Date of Patent: ** Jun. 6, 2000

[54] CHAIR

[75] Inventor: Clement M. Lange, Jr., Huntingburg, Ind.

[73] Assignee: Best Chairs, Inc., Ferdinand, Ind.

[**] Term: 14 Years

[21] Appl. No.: 29/095,614

[22] Filed: Oct. 27, 1998

[51] LOC (7) Cl. 06-01

[52] U.S. Cl. D6/344

[58] Field of Search D6/334, 335, 336, D6/344, 347, 348, 370, 379, 500, 501, 502; 297/273, 281, 282

[56] **References Cited**

U.S. PATENT DOCUMENTS

| | | | |
|------------|---------|--------------------|--------|
| D. 274,995 | 8/1984 | Richards et al. . | |
| D. 275,093 | 8/1984 | Hunt . | |
| D. 278,225 | 4/1985 | Heiman et al. . | |
| D. 299,220 | 1/1989 | Trusky . | |
| D. 301,437 | 6/1989 | Bleustein et al. . | |
| D. 319,544 | 9/1991 | Desnoyers | D6/344 |
| D. 332,704 | 1/1993 | Desnoyers | D6/347 |
| D. 333,806 | 3/1993 | Davidson . | |
| D. 341,343 | 11/1993 | Netz . | |
| D. 341,493 | 11/1993 | Morgan et al. . | |
| D. 353,267 | 12/1994 | Desnoyers | D6/344 |
| D. 362,969 | 10/1995 | Desnoyers | D6/344 |
| D. 373,684 | 9/1996 | Desnoyers | D6/344 |
| D. 376,566 | 12/1996 | Davidson et al. . | |
| D. 383,008 | 9/1997 | Blaesing . | |
| D. 388,256 | 12/1997 | Cambra et al. . | |

| | | | |
|------------|---------|-------------------|--------|
| D. 388,746 | 1/1998 | Davidson et al. . | |
| D. 388,982 | 1/1998 | Desnoyers | D6/500 |
| D. 389,794 | 1/1998 | Davidson . | |
| D. 396,671 | 8/1998 | Davidson et al. . | |
| D. 401,425 | 11/1998 | Desnoyers | D6/344 |
| D. 406,947 | 3/1999 | Wang | D6/344 |

Primary Examiner—Doris V. Coles
Assistant Examiner—Mimosa De
Attorney, Agent, or Firm—Wood, Herron & Evans, LLP

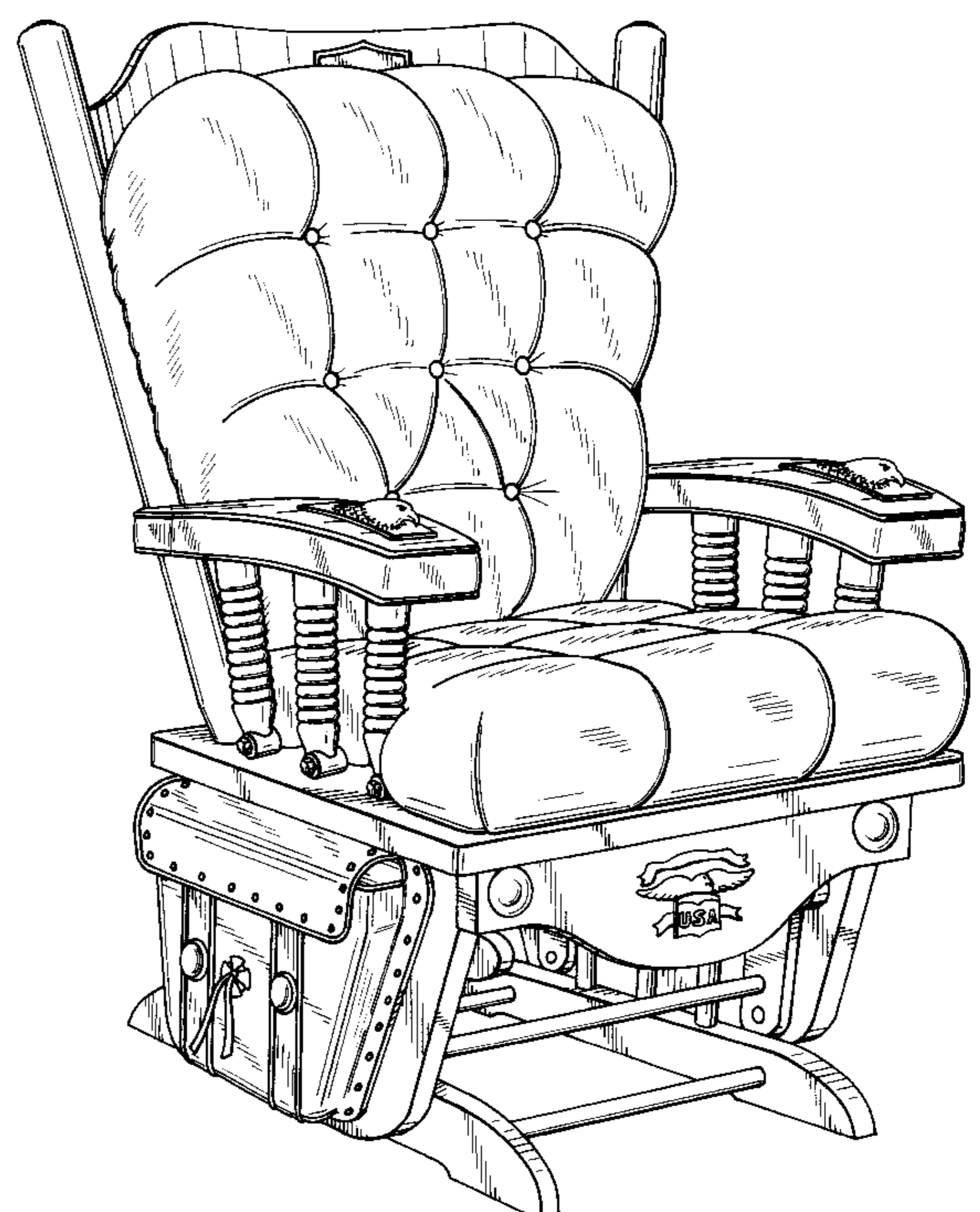
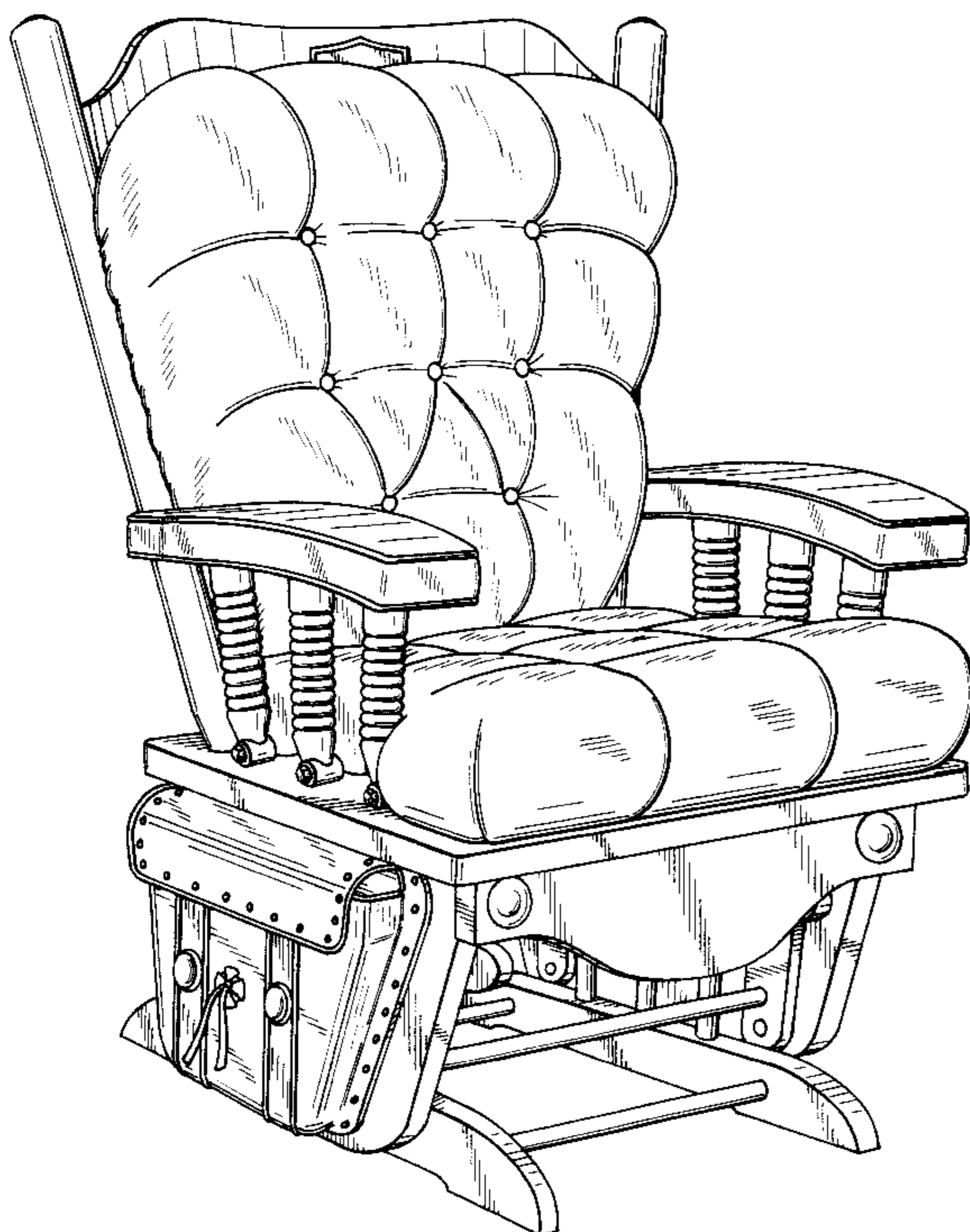
[57] **CLAIM**

The ornamental design for a chair, as shown and described.

DESCRIPTION

FIG. 1 is a perspective view of a chair showing my new design;
 FIG. 2 is a front elevational view thereof;
 FIG. 3 is a side elevational view thereof, the opposite side being a mirror image thereof;
 FIG. 4 is a rear elevational view thereof;
 FIG. 5 is a top plan view thereof;
 FIG. 6 is a bottom plan view thereof;
 FIG. 7 is a perspective view of a second embodiment of a chair showing my new design;
 FIG. 8 is a front elevational view of the second embodiment thereof;
 FIG. 9 is a side elevational view of the second embodiment thereof, the opposite side being a mirror image thereof;
 FIG. 10 is a rear elevational view of the second embodiment thereof; and,
 FIG. 11 is a top plan view of the second embodiment thereof, the bottom plan view of which is identical to the bottom plan view of the first embodiment illustrated in FIG. 6.

1 Claim, 7 Drawing Sheets



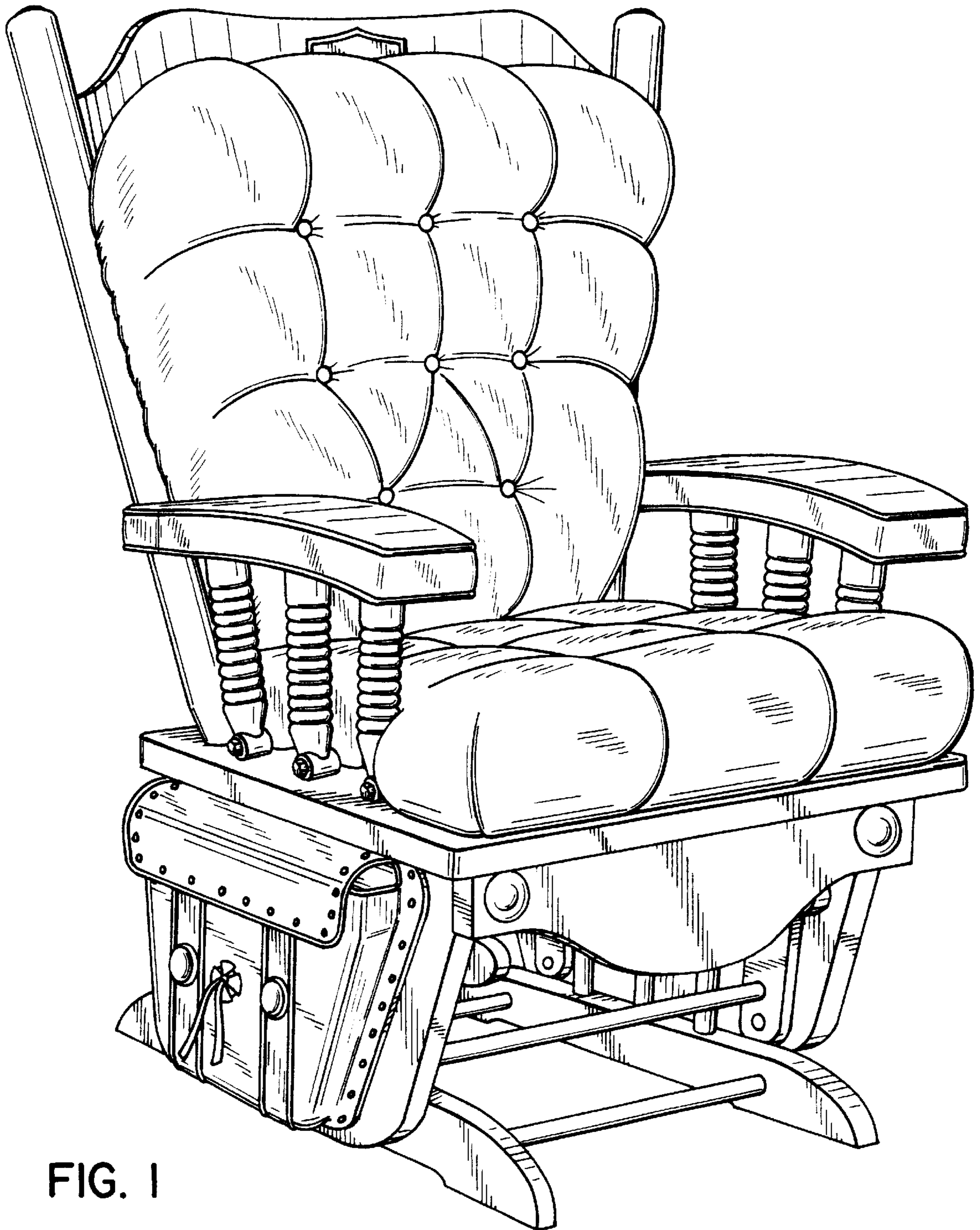


FIG. 1

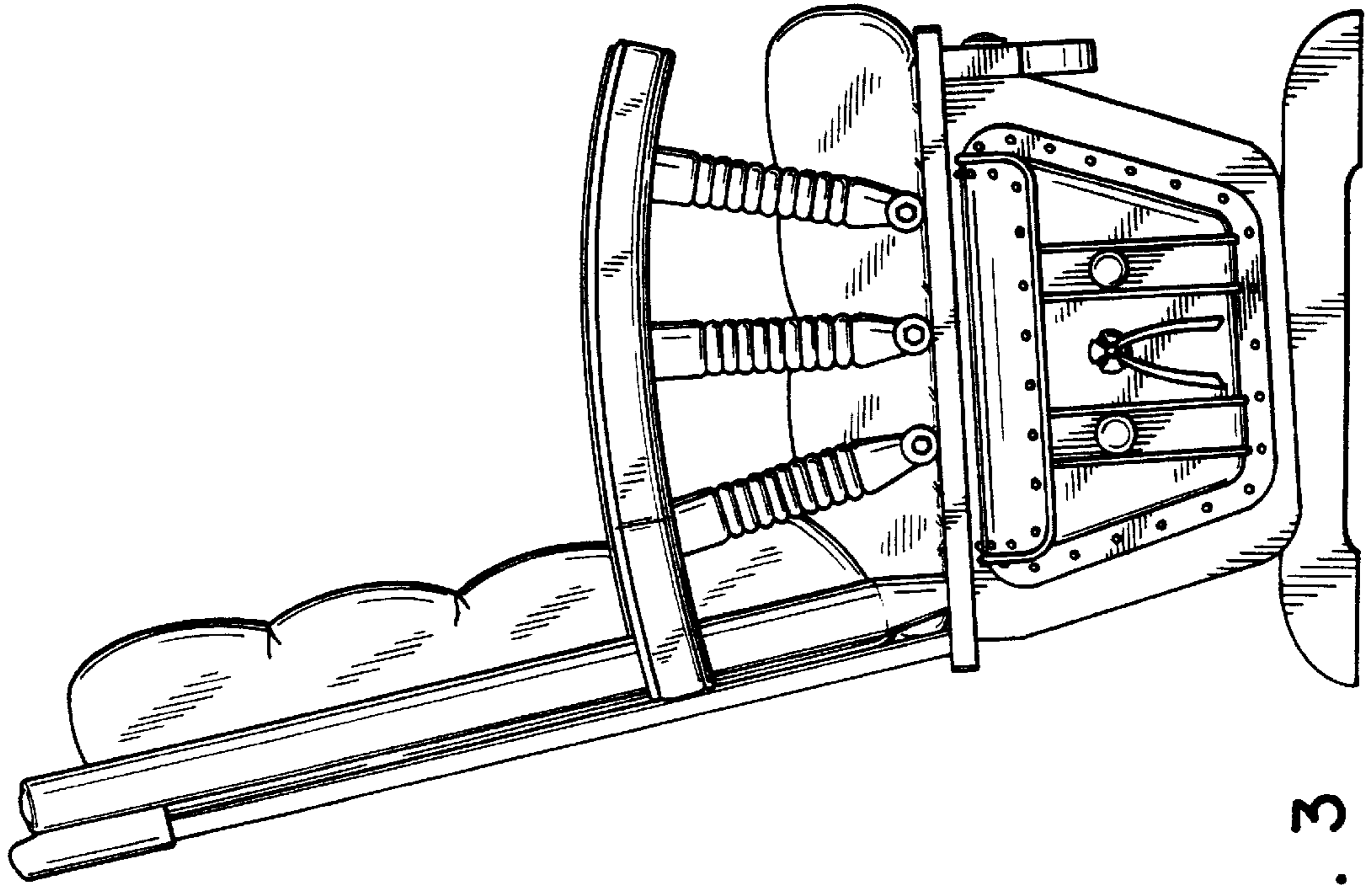


FIG. 3

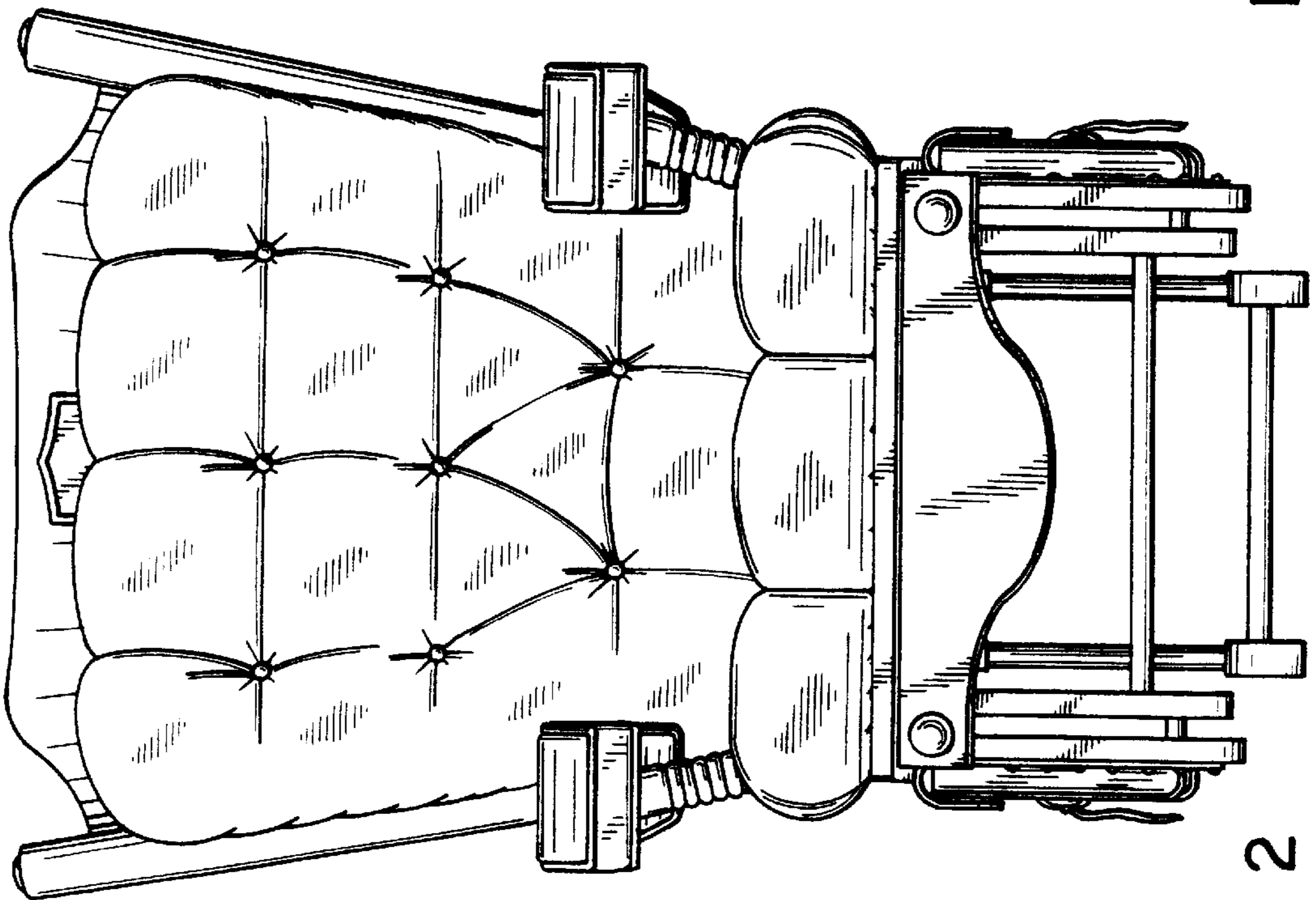


FIG. 2

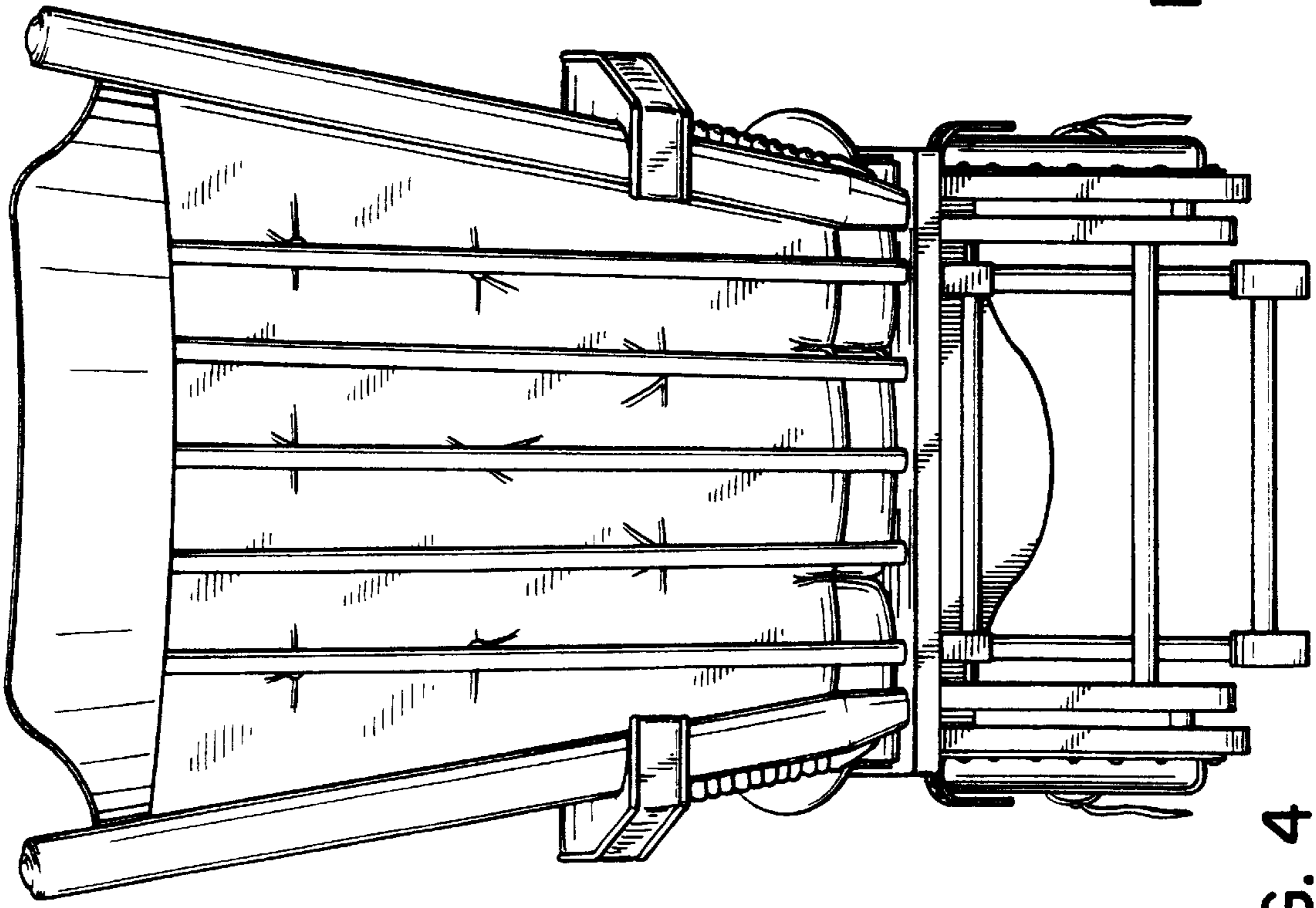


FIG. 4

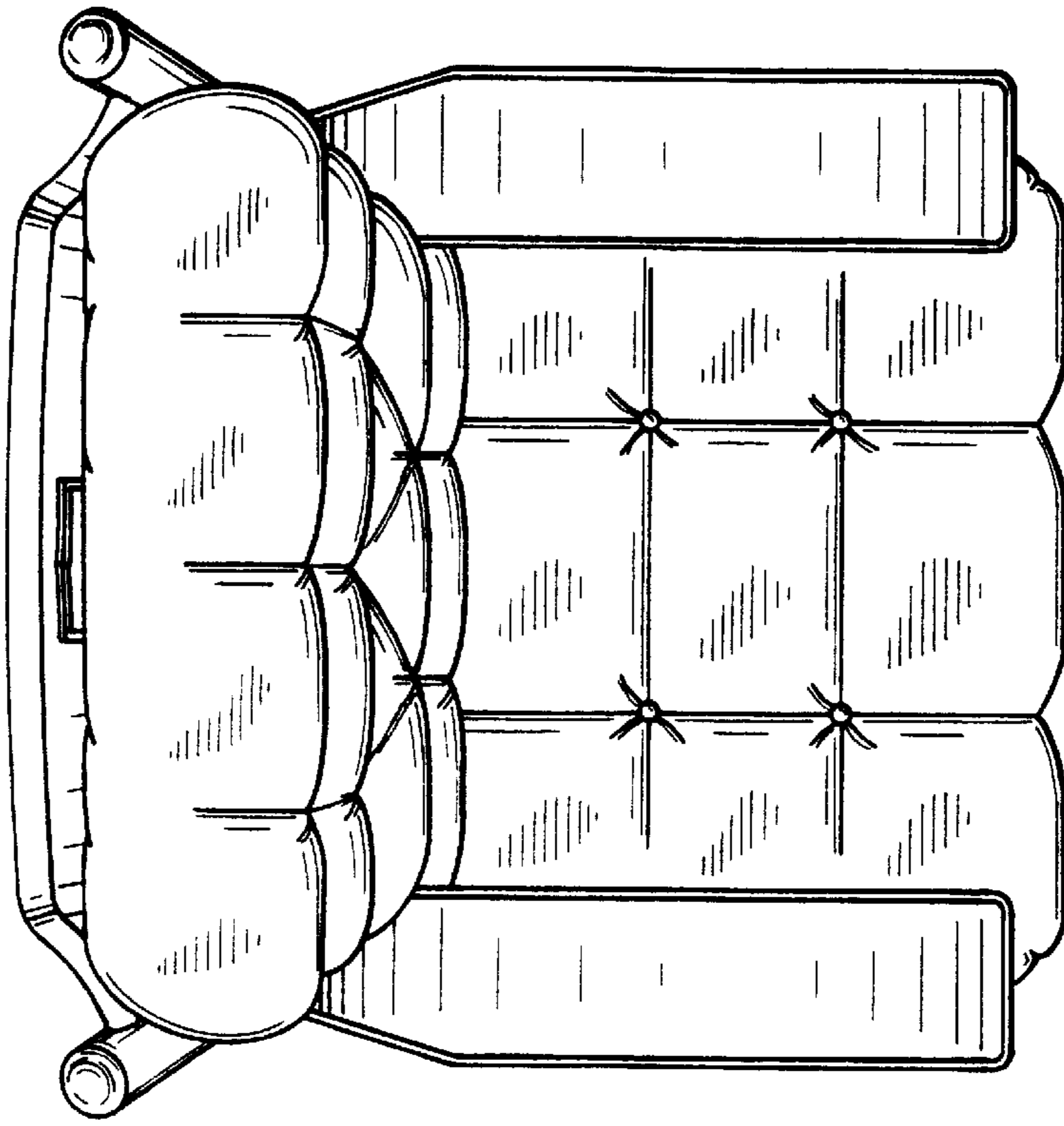


FIG. 5

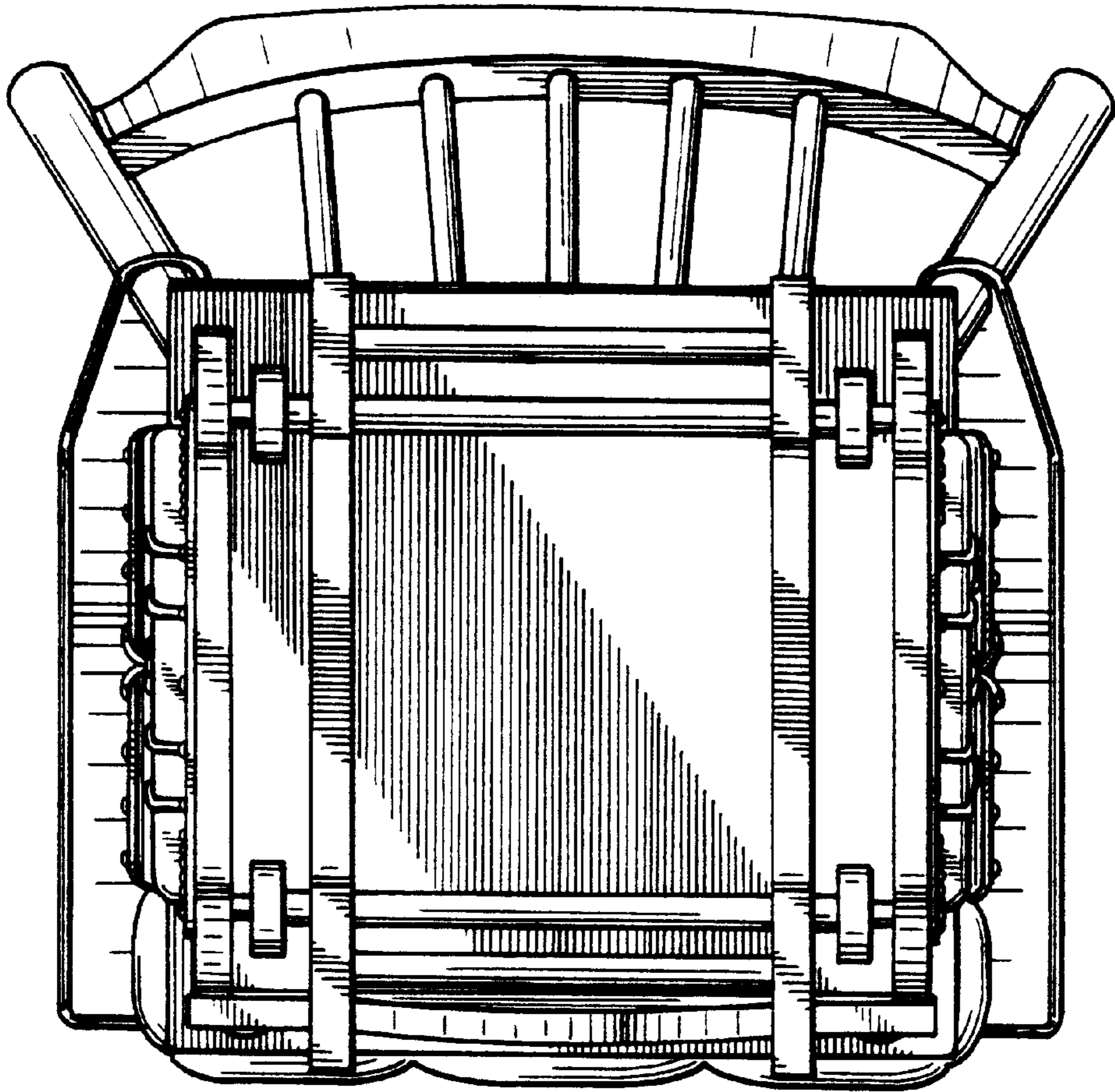


FIG. 6

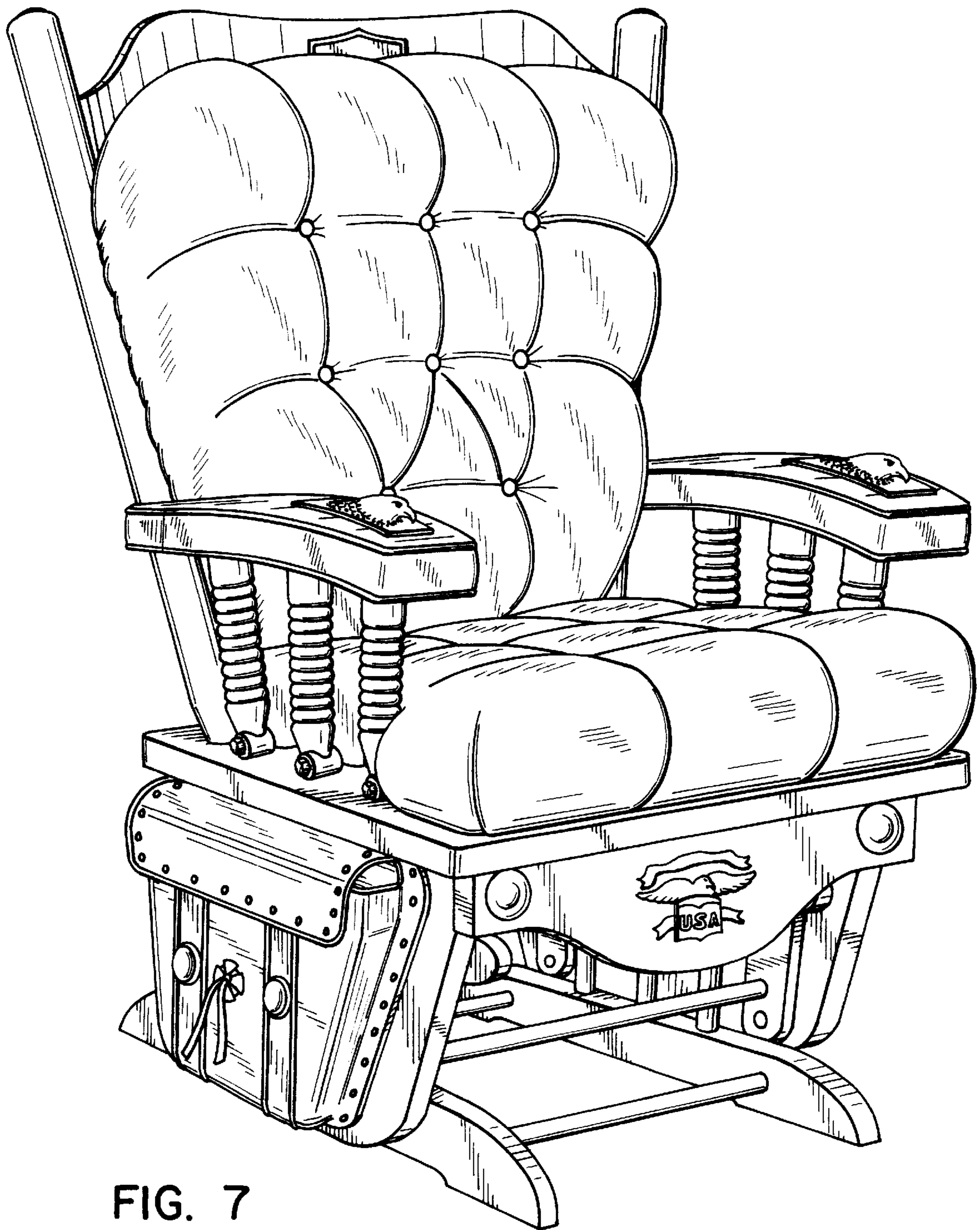


FIG. 7

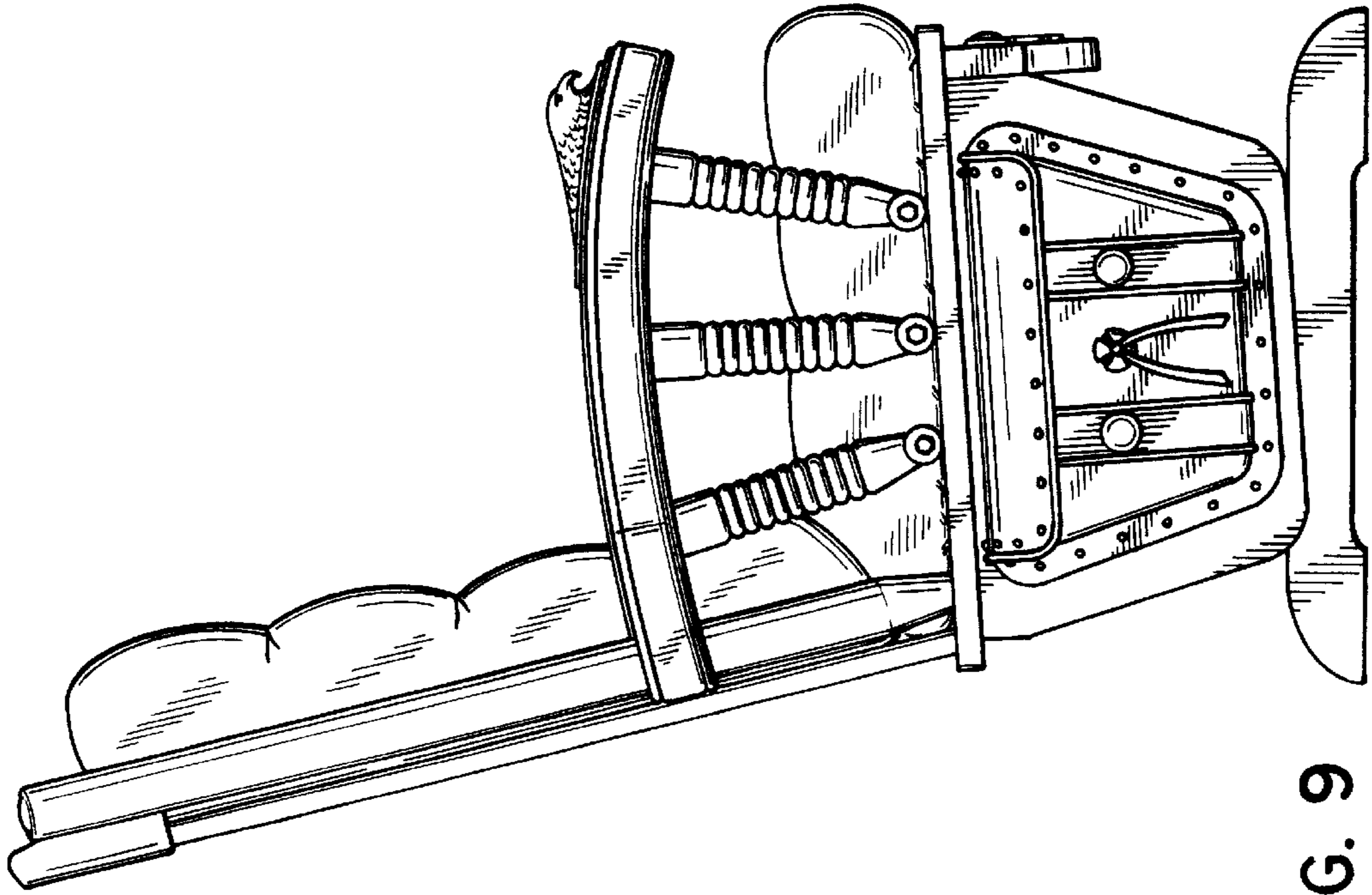


FIG. 9

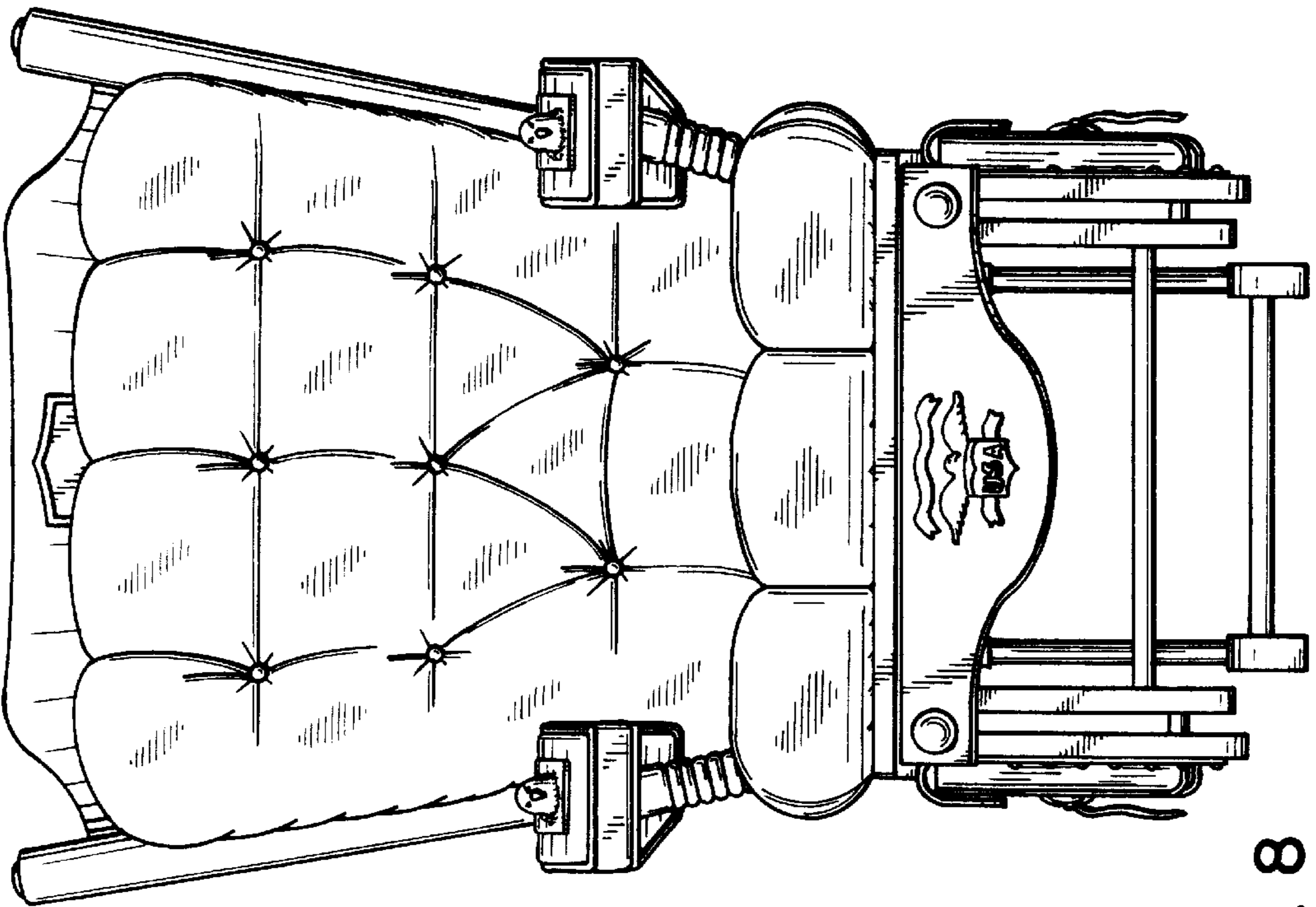


FIG. 8

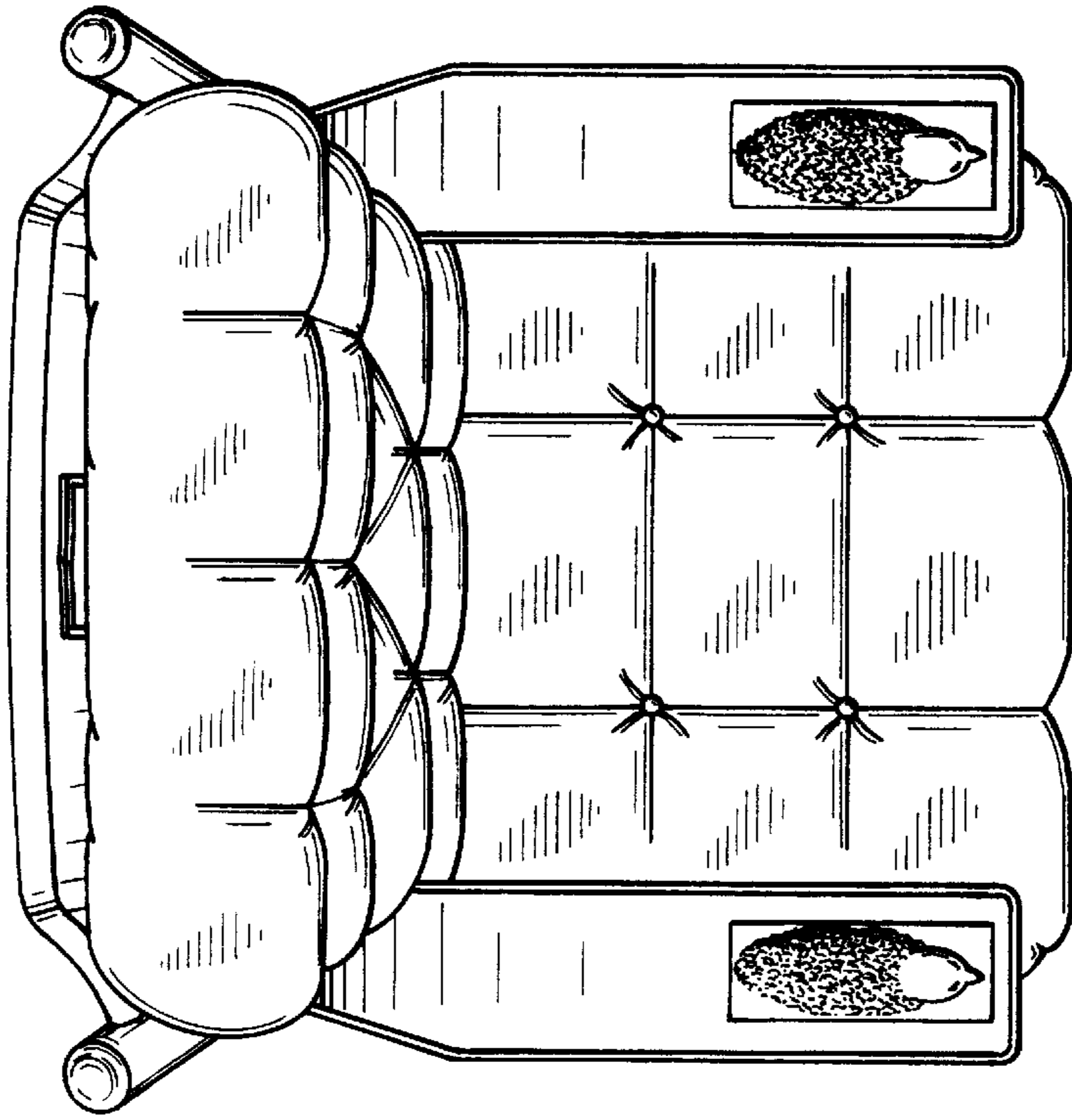


FIG. 11

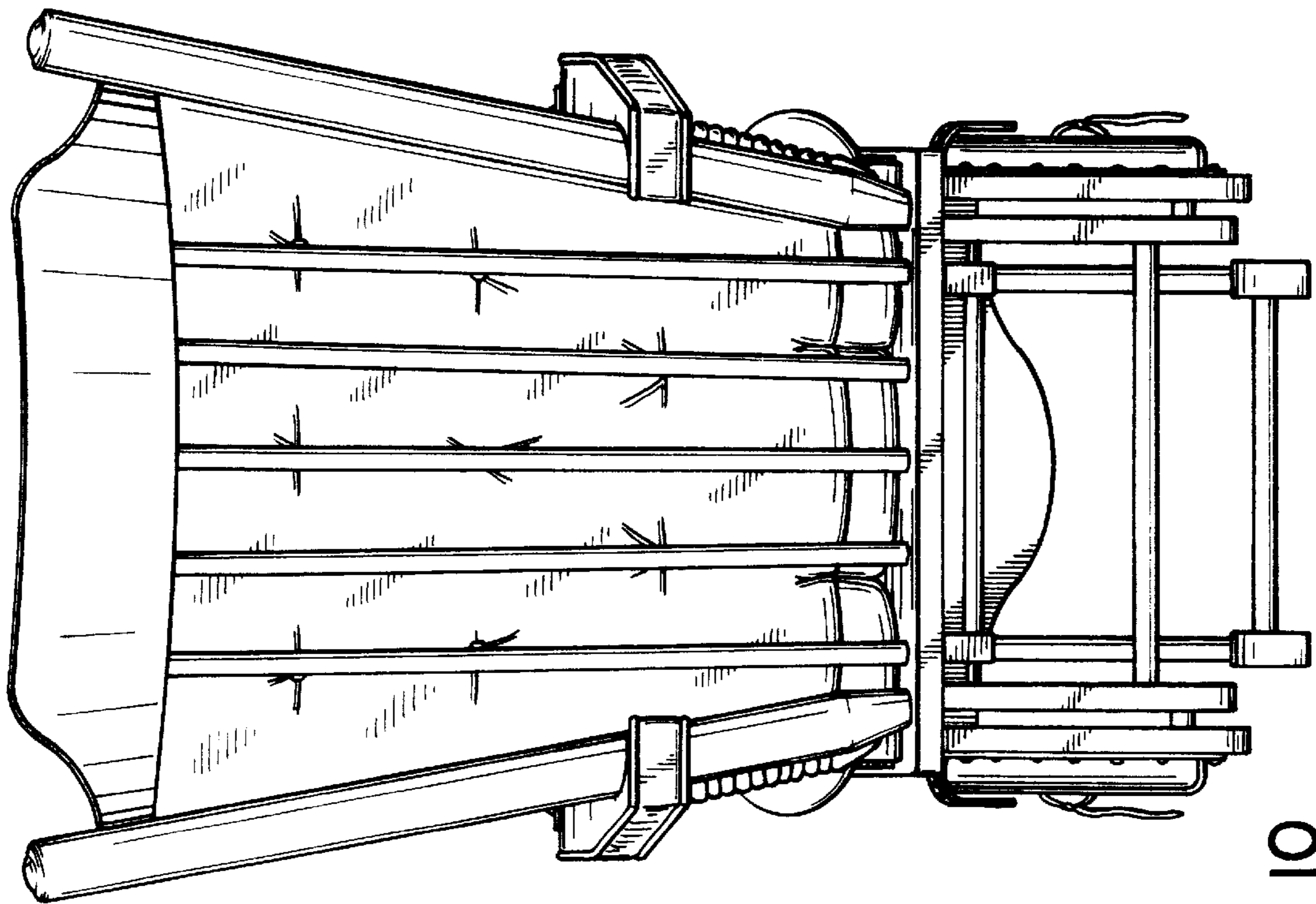


FIG. 10