



US00D426073S

United States Patent [19]

Leon

[11] Patent Number: **Des. 426,073**

[45] Date of Patent: **** Jun. 6, 2000**

[54] **CAT FIGURINE PHOTOGRAPH HOLDER**

D. 87,145 6/1932 Camp D21/617

[75] Inventor: **Ernesto Alberto Leon**, Alhambra, Calif.

OTHER PUBLICATIONS

Exposures holiday 1994, p. 32, #H at right.

[73] Assignee: **CBS Designs, Inc.**, Framingham, Mass.

Primary Examiner—Janice E. Seeger
Attorney, Agent, or Firm—Niels, Lemack & Dingman;
Brian M. Dingman

[**] Term: **14 Years**

[21] Appl. No.: **29/110,982**

[57] CLAIM

The ornamental design for a cat figurine photograph holder, as shown and described.

[22] Filed: **Sep. 16, 1999**

[51] **LOC (7) Cl.** **06-07**

[52] **U.S. Cl.** **D6/304**; D21/617

[58] **Field of Search** D67/300-314;
D20/30; D11/134, 158; D21/611; 40/700,
711, 714, 716, 735, 745, 765, 766, 780,
790

DESCRIPTION

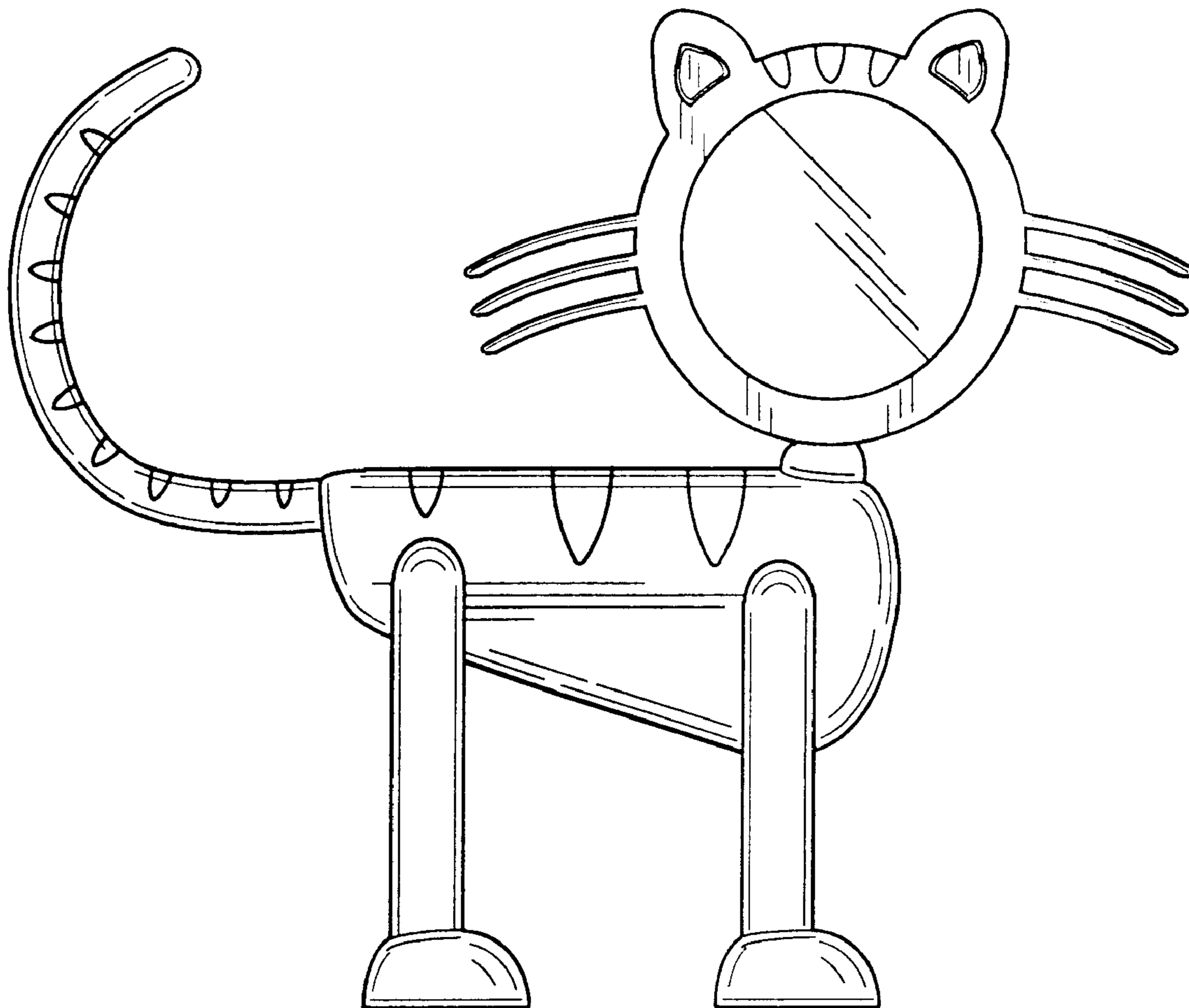
FIG. 1 is a right side elevational view of a cat figurine photograph holder in accordance with my new design; FIG. 2 is a left side elevational view thereof; FIG. 3 is a bottom plan view thereof; FIG. 4 is a top plan view thereof; FIG. 5 is a front elevational view thereof; and, FIG. 6 is a rear elevational view thereof.

[56] References Cited

U.S. PATENT DOCUMENTS

D. 62,176 4/1923 Webb D21/617

1 Claim, 2 Drawing Sheets



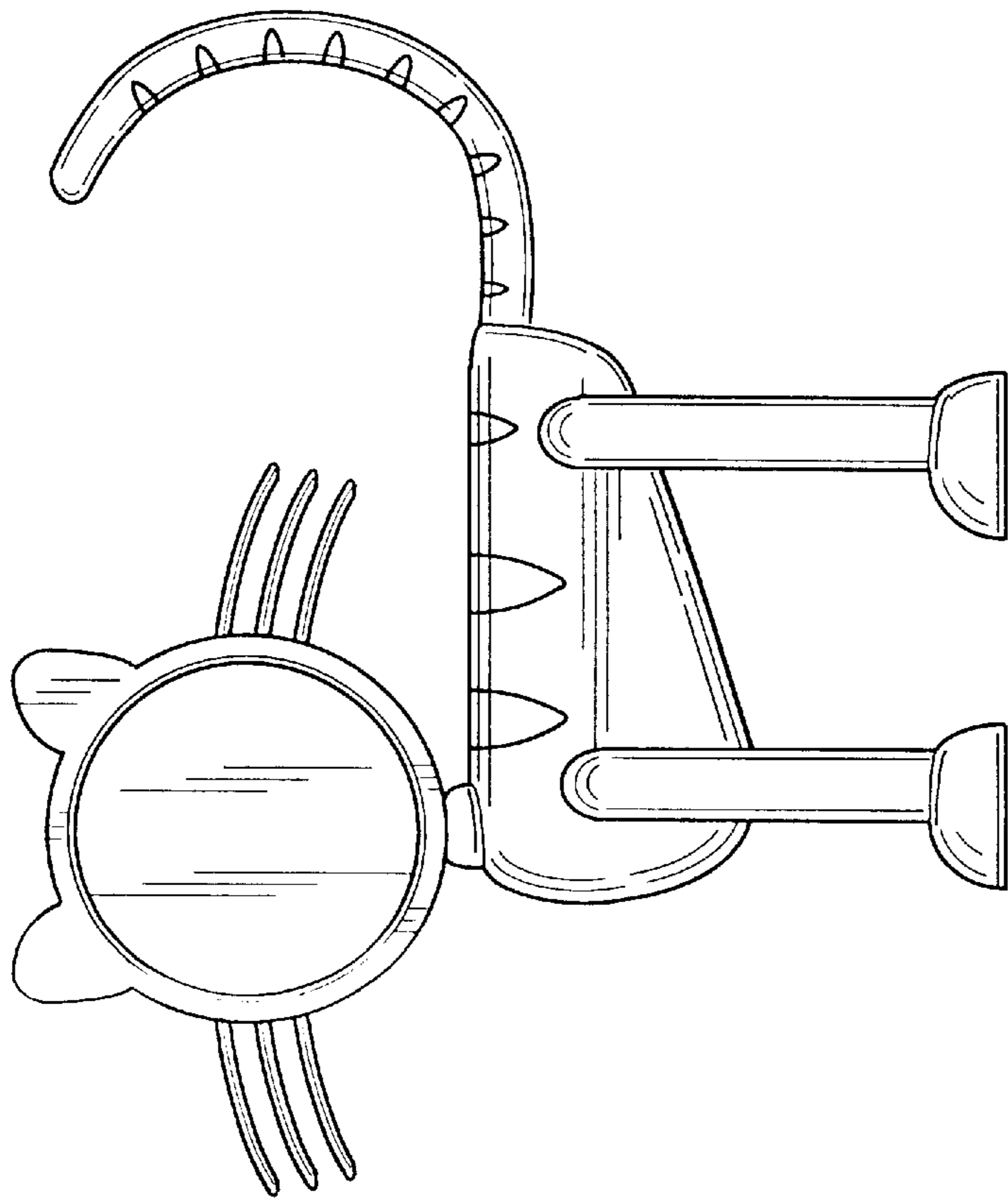


FIG. 2

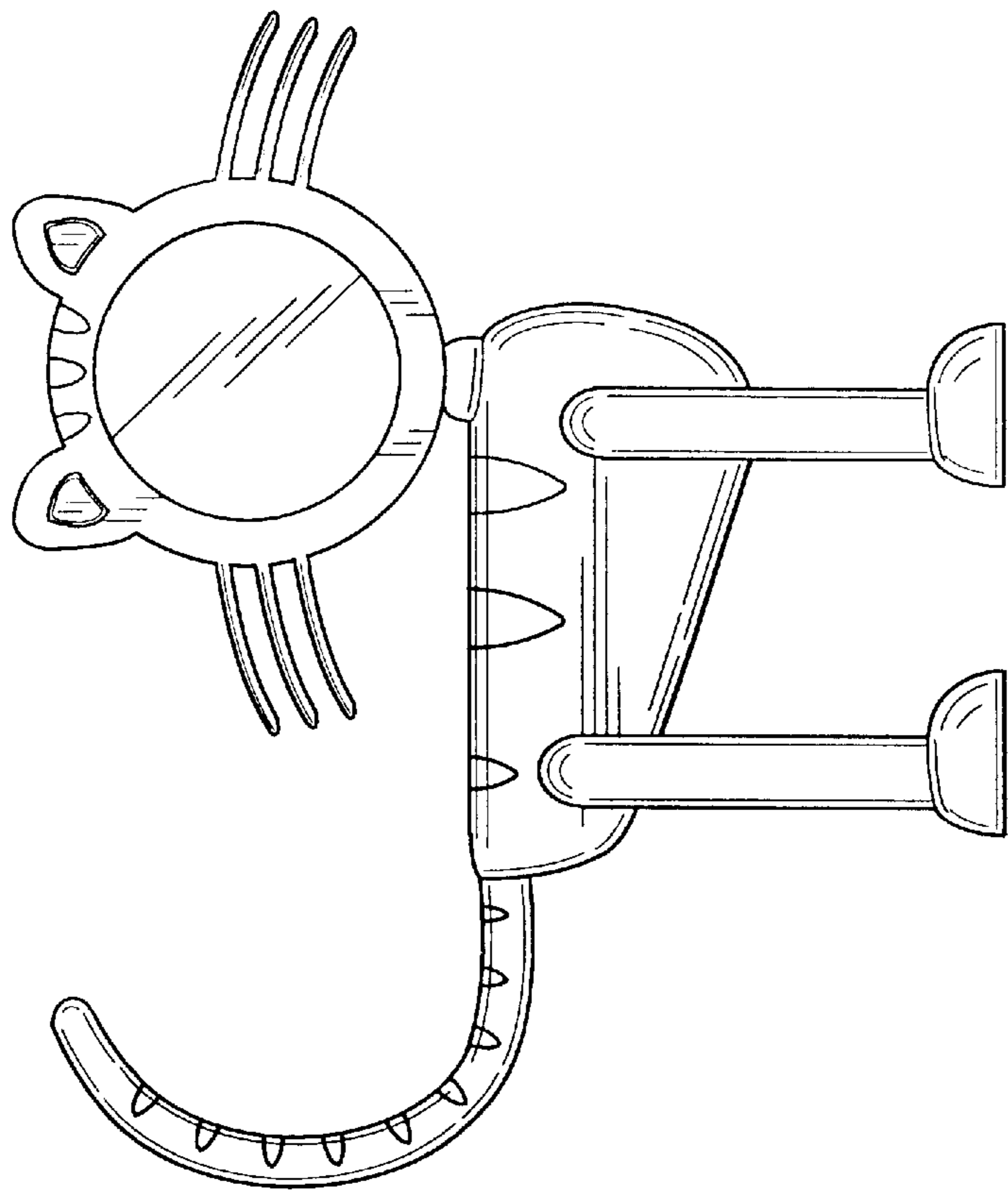


FIG. 1

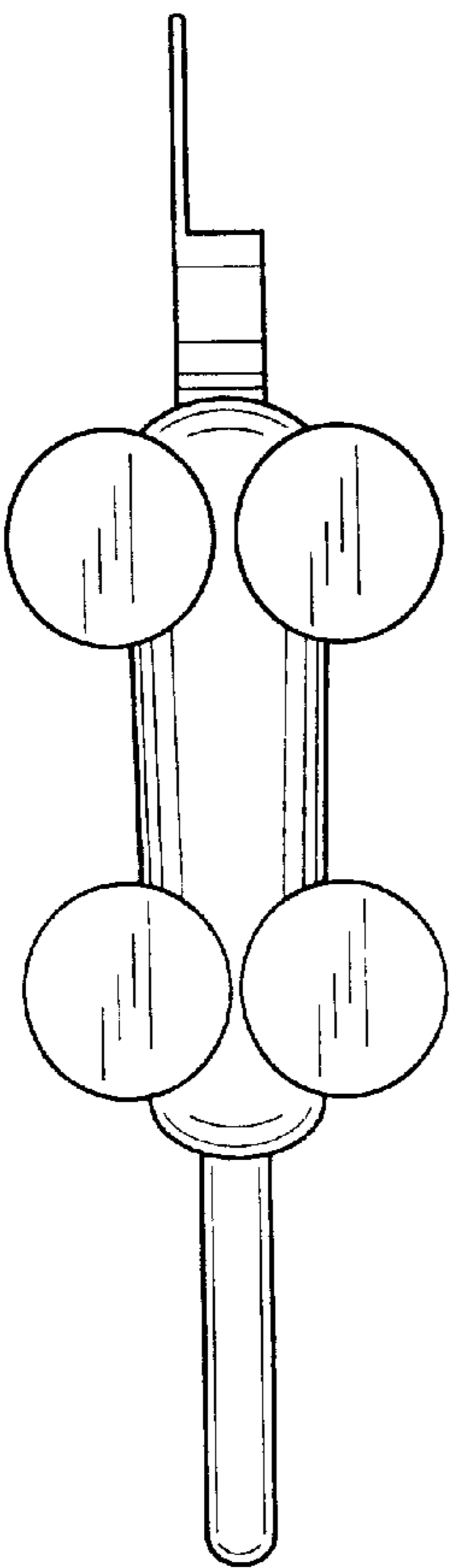


FIG. 3

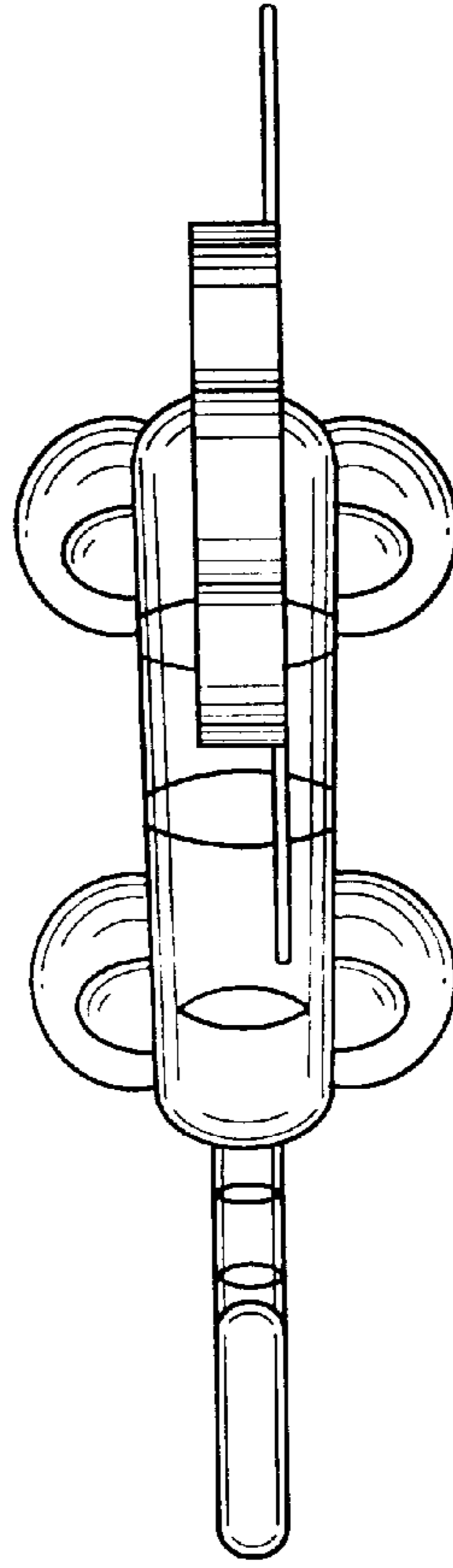


FIG. 4

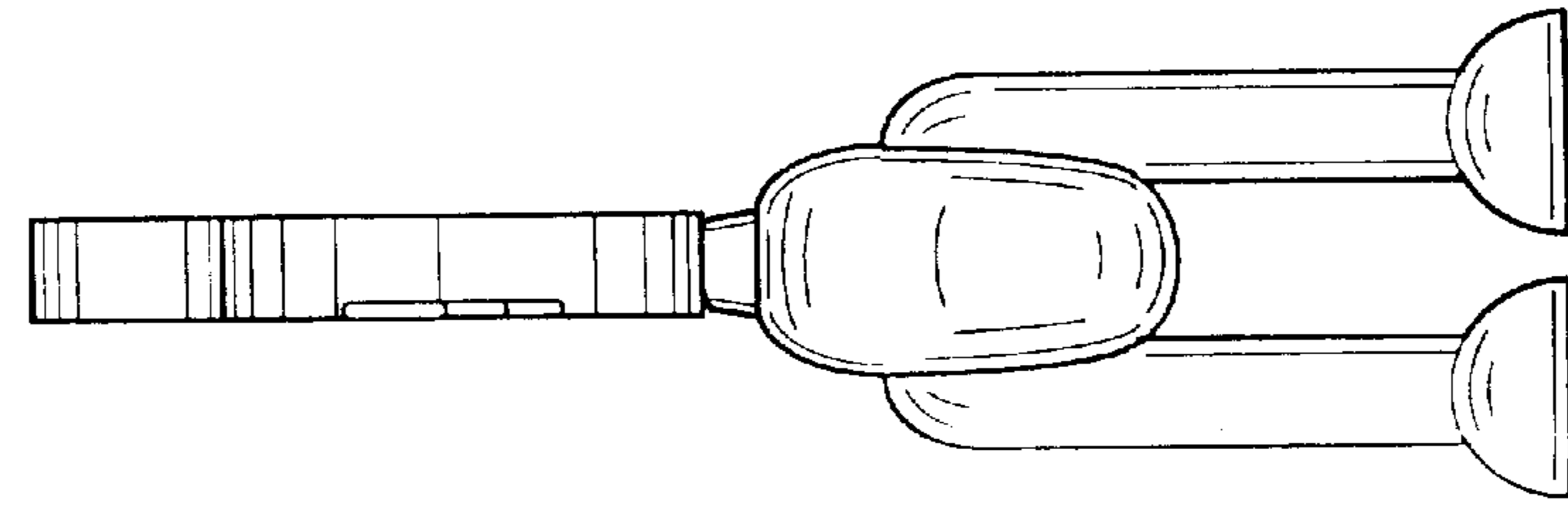


FIG. 5

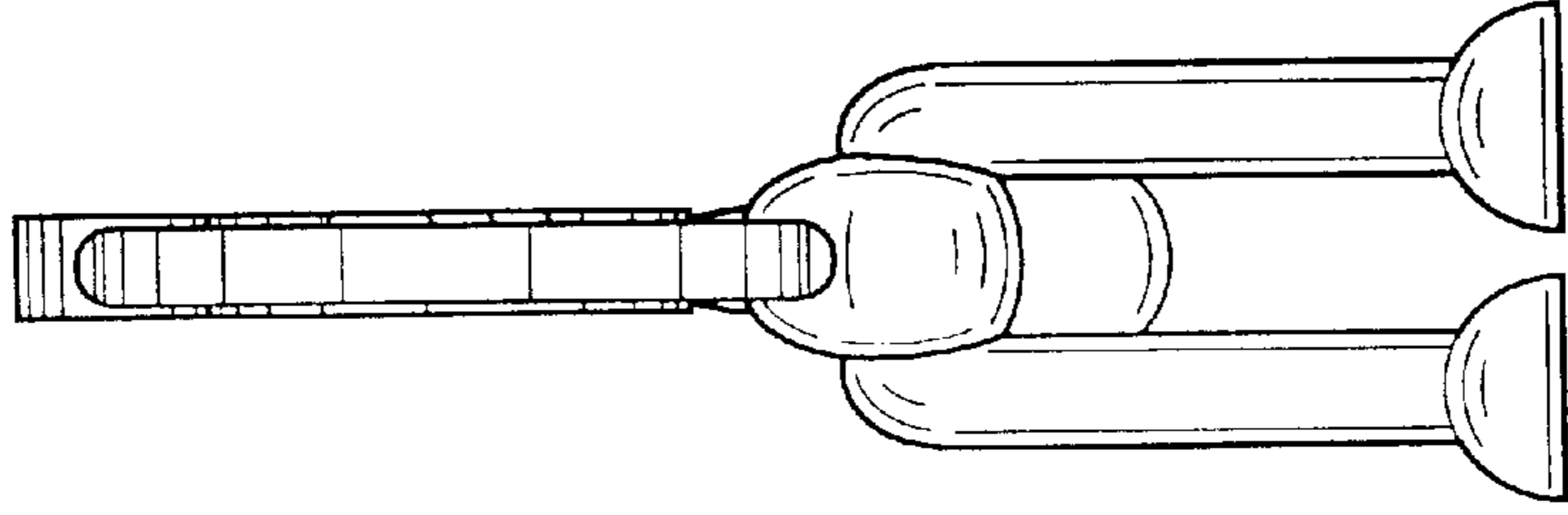


FIG. 6