



US00D426072S

United States Patent [19]

Leon

[11] Patent Number: **Des. 426,072**

[45] Date of Patent: **** Jun. 6, 2000**

[54] DOG FIGURINE PHOTOGRAPH HOLDER

[75] Inventor: **Ernesto Alberto Leon**, Alhambra, Calif.

[73] Assignee: **CBS Design, Inc.**, Framingham, Mass.

[**] Term: **14 Years**

[21] Appl. No.: **29/110,981**

[22] Filed: **Sep. 16, 1999**

[51] LOC (7) Cl. **06-07**

[52] U.S. Cl. **D6/304; D21/611**

[58] Field of Search D6/300-314; D20/30; D11/134, 158; D21/611; 40/700, 711, 714, 716, 735, 745, 765, 766, 780, 790

[56] References Cited

U.S. PATENT DOCUMENTS

- D. 81,930 9/1930 Howell D21/611
- D. 81,931 9/1930 Howell D21/611

OTHER PUBLICATIONS

Exposures holiday 1994, p. 32, #G at left.

Primary Examiner—Janice E. Seeger
Attorney, Agent, or Firm—Niels, Lemack & Dingman; Brian M. Dingman

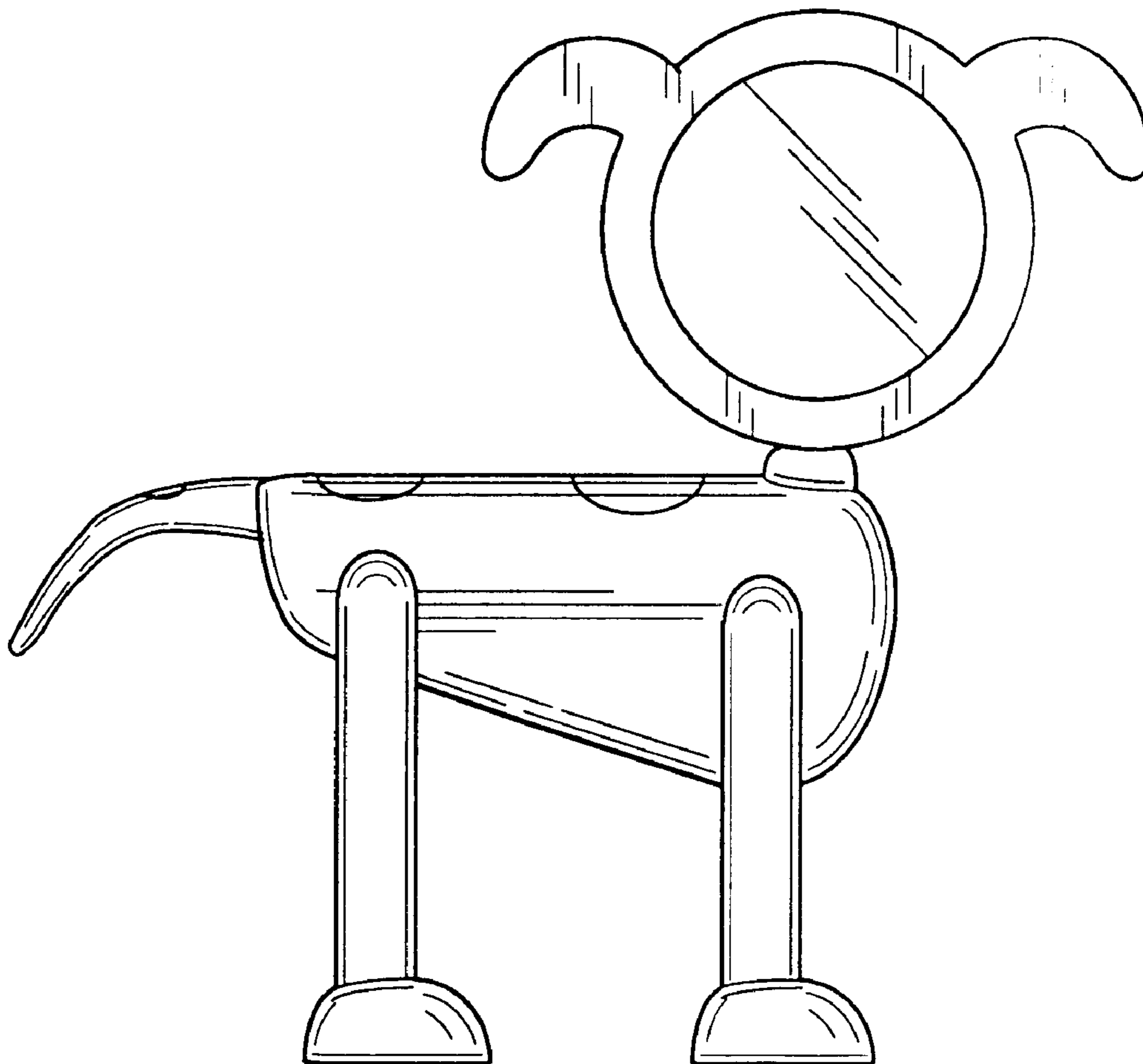
[57] CLAIM

The ornamental design for a dog figurine photograph holder, as shown and described.

DESCRIPTION

FIG. 1 is a right side elevational view of a dog figurine photograph holder in accordance with my new design; FIG. 2 is a left side elevational view thereof; FIG. 3 is a bottom plan view thereof; FIG. 4 is a top plan view thereof; FIG. 5 is a front elevational view thereof; and, FIG. 6 is a rear elevational view thereof.

1 Claim, 2 Drawing Sheets



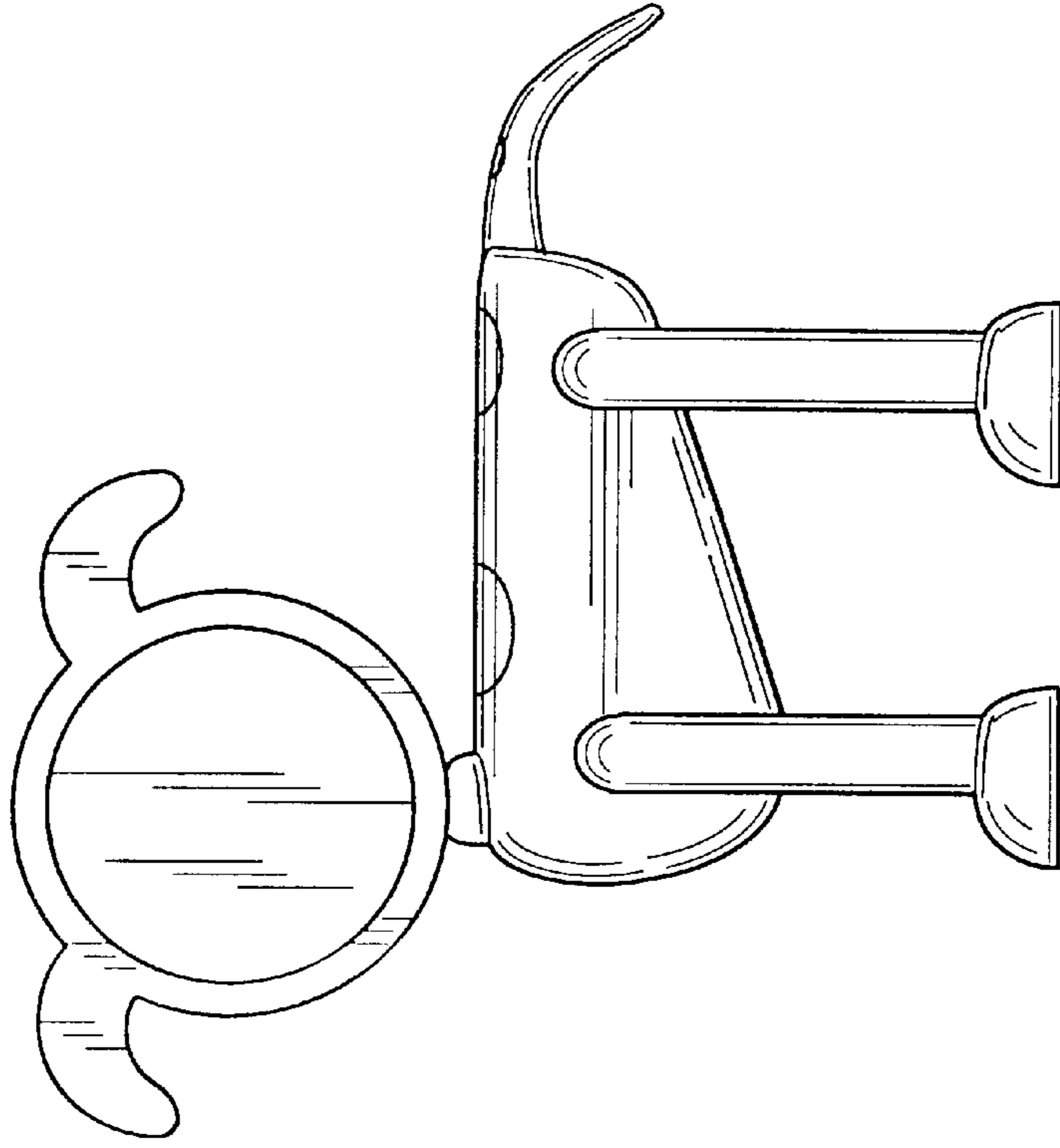


FIG. 1

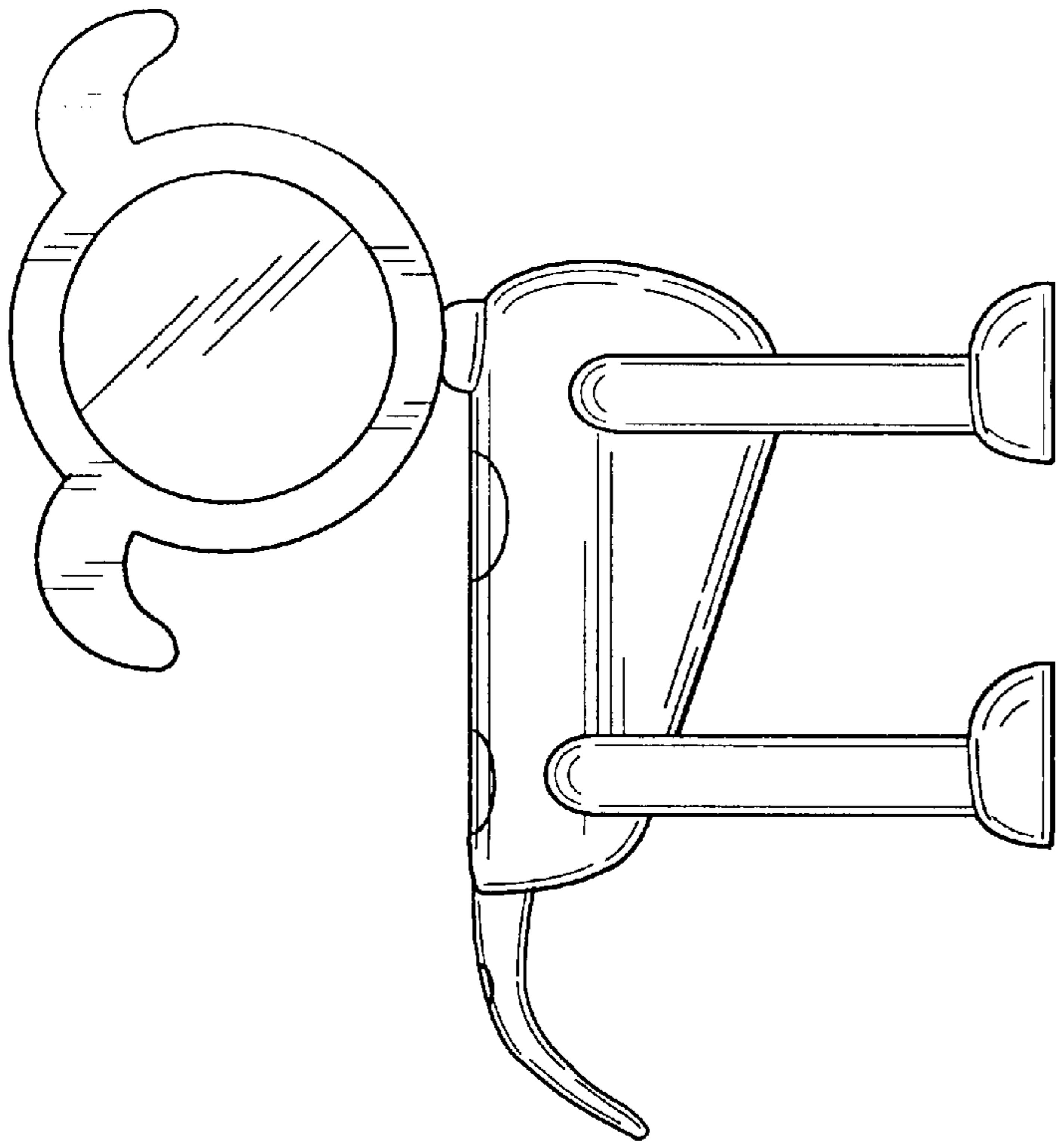


FIG. 2

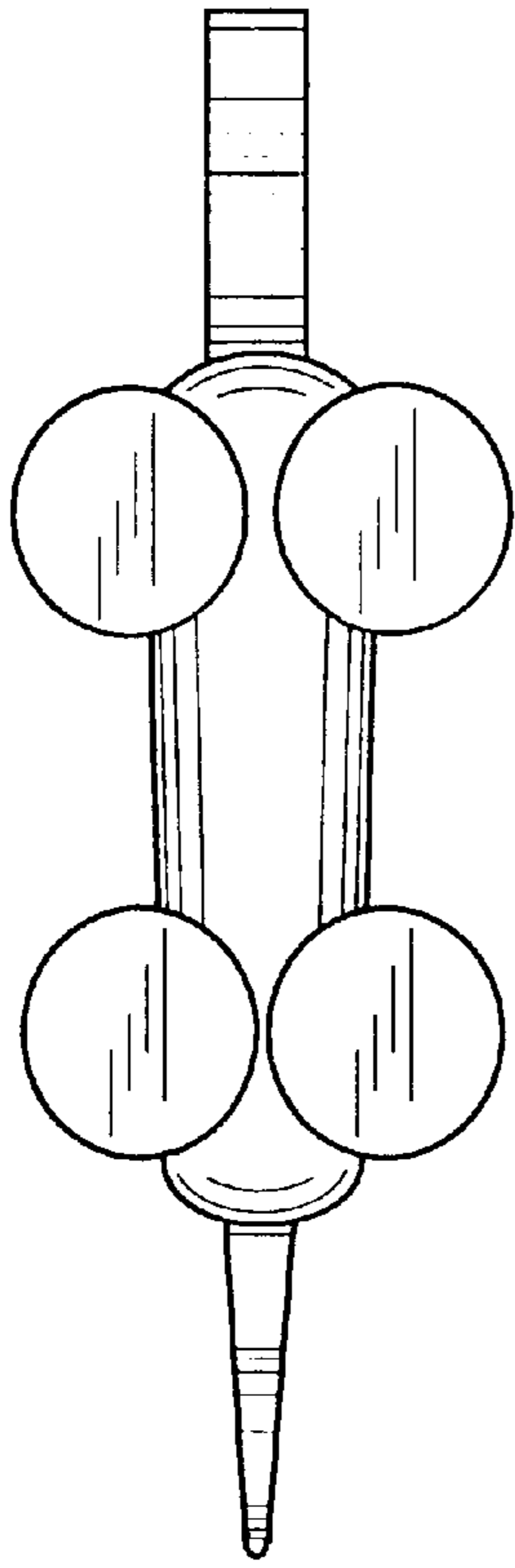


FIG. 3

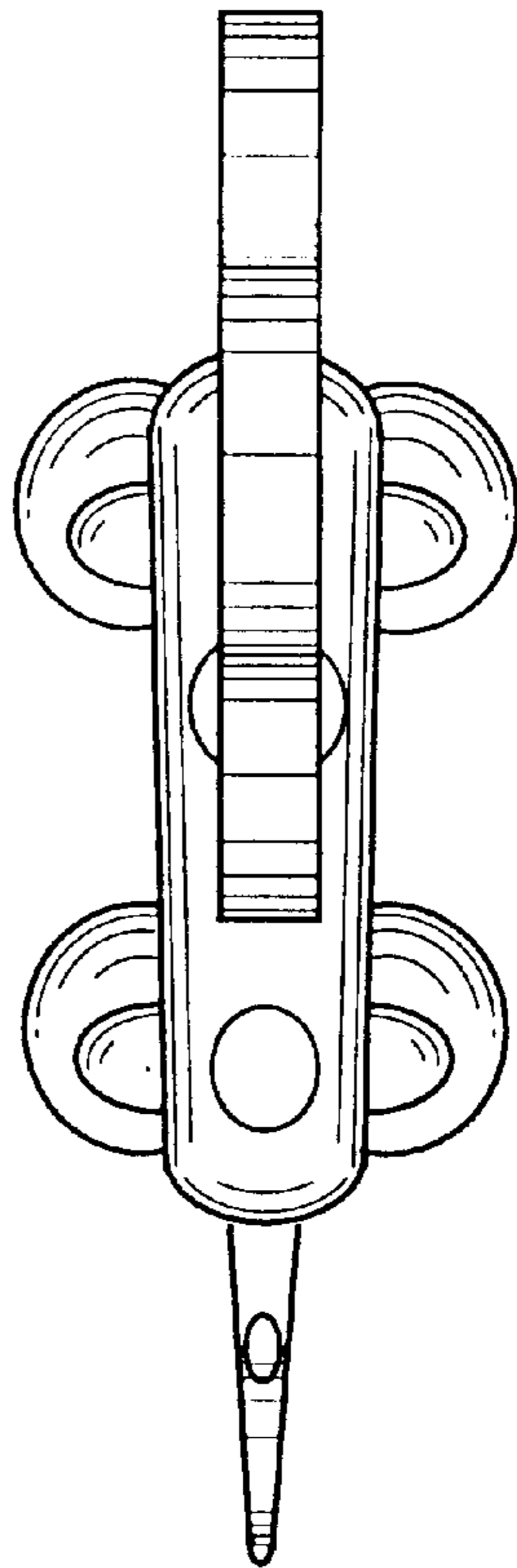


FIG. 4

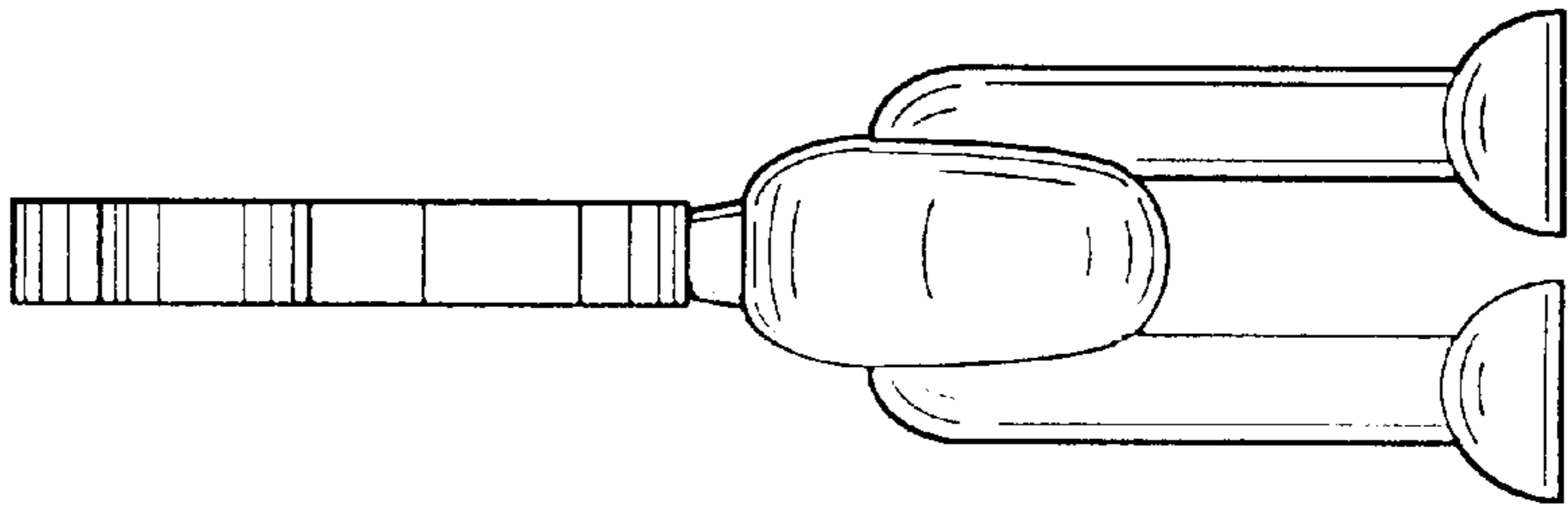


FIG. 5

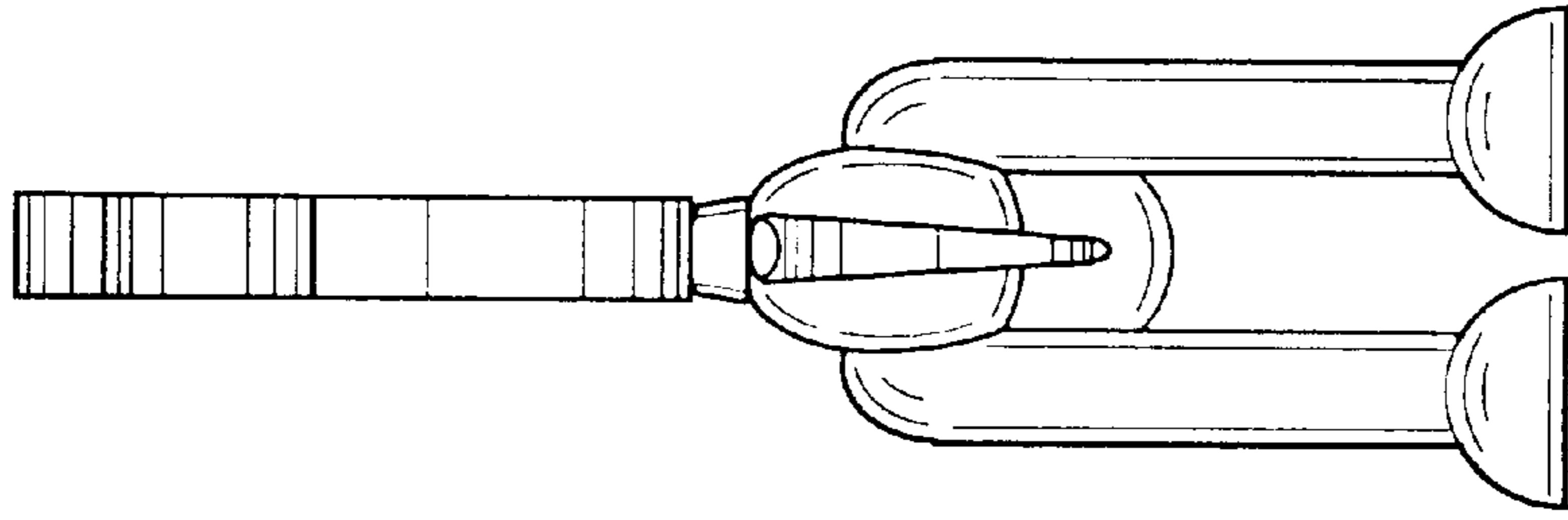


FIG. 6