



US00D426067S

United States Patent [19]

[11] Patent Number: Des. 426,067

De Melo

[45] Date of Patent: ** Jun. 6, 2000

[54] PORTABLE TOOTHBRUSH AND TOOTHPASTE DISPENSING SYSTEM

DESCRIPTION

- [75] Inventor: **Joseph De Melo**, West Palm Beach, Fla.
- [73] Assignee: **DeMelo & Park, Inc.**, West Palm Beach, Fla.
- [**] Term: **14 Years**
- [21] Appl. No.: **29/111,004**
- [22] Filed: **Sep. 17, 1999**
- [51] LOC (7) Cl. **04-02**
- [52] U.S. Cl. **D4/108; D4/121; D4/114**
- [58] Field of Search D4/104-114, 121, D4/132, 134, 138; 15/159.1, 167.1, 184, 186, 187; 132/308, 311; 601/141; 401/146, 150-152, 156, 176, 183, 184, 191, 269

FIG. 1 is a top, left side perspective view of my new design shown with the case omitted for clarity of illustration and the toothbrush in the closed position;

FIG. 2 is the perspective view of FIG. 1 with the toothbrush in the open position;

FIG. 3 is the perspective view of FIG. 1 with the broken lines showing a toothpaste tube being for illustrative purposes only and forming no part of the claimed design;

FIG. 4 is the perspective view of FIG. 3 with the head in the open position;

FIG. 5 is a left side elevation view of FIG. 1;

FIG. 6 is a left side elevation view of FIG. 2;

FIG. 7 is a right side elevation of FIG. 1;

FIG. 8 is a right side elevation of FIG. 2;

FIG. 9 is a top plan view of FIG. 1;

FIG. 10 is a top plan view of FIG. 2;

FIG. 11 is a bottom plan view of FIG. 1;

FIG. 12 is a bottom plan view of FIG. 2;

FIG. 13 is an enlarged front end view of FIG. 1;

FIG. 14 is a rear end view of FIG. 13;

FIG. 15 is a perspective view of FIG. 1 with the case affixed thereto;

FIG. 16 is a top, left side perspective view of the case portion, shown separately for clarity of illustration;

FIG. 17 is a right side elevation view of FIG. 16;

FIG. 18 is a left side elevation of FIG. 16;

FIG. 19 is a reversed top plan view of FIG. 16;

FIG. 20 is a bottom plan view of FIG. 16;

FIG. 21 is an enlarged front end view of FIG. 16; and,

FIG. 22 is a rear end view of FIG. 21.

[56] References Cited

U.S. PATENT DOCUMENTS

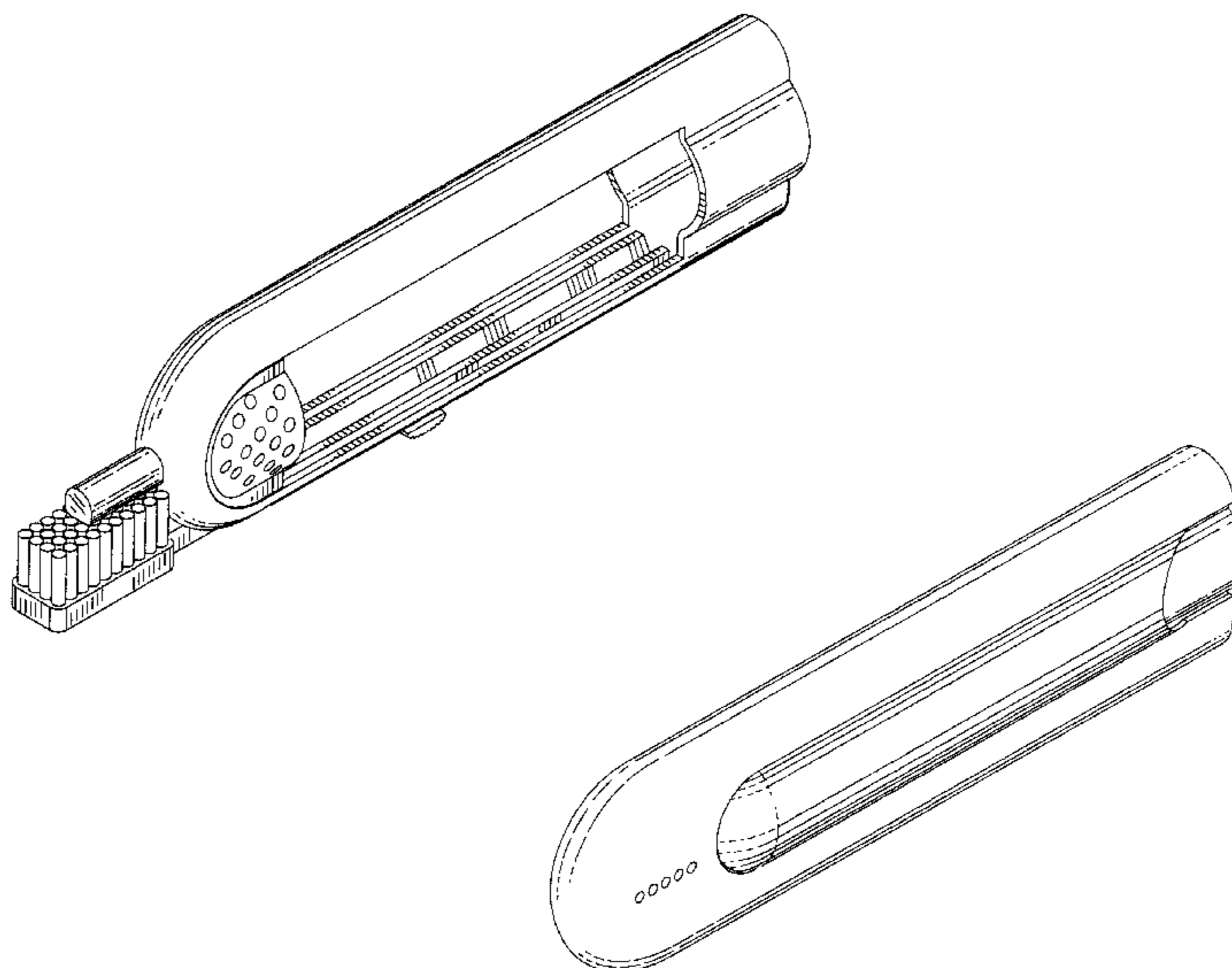
D. 357,124	4/1995	Greenhouse et al.	D4/108
D. 397,255	8/1998	Loeffler	D4/108
2,284,217	5/1942	Lieberthal	132/308
2,793,792	5/1957	Pilkington	401/150 X
3,613,698	10/1971	Fox	132/311
3,816,007	6/1974	Fox	401/146
4,695,177	9/1987	Kuo	401/150
5,244,298	9/1993	Greenhouse	401/191

Primary Examiner—Alan P. Douglas
 Assistant Examiner—Lavone Tabor
 Attorney, Agent, or Firm—Quarles & Brady LLP

[57] CLAIM

An ornamental design for a portable toothbrush and toothpaste dispensing system, substantially as shown and described.

1 Claim, 11 Drawing Sheets



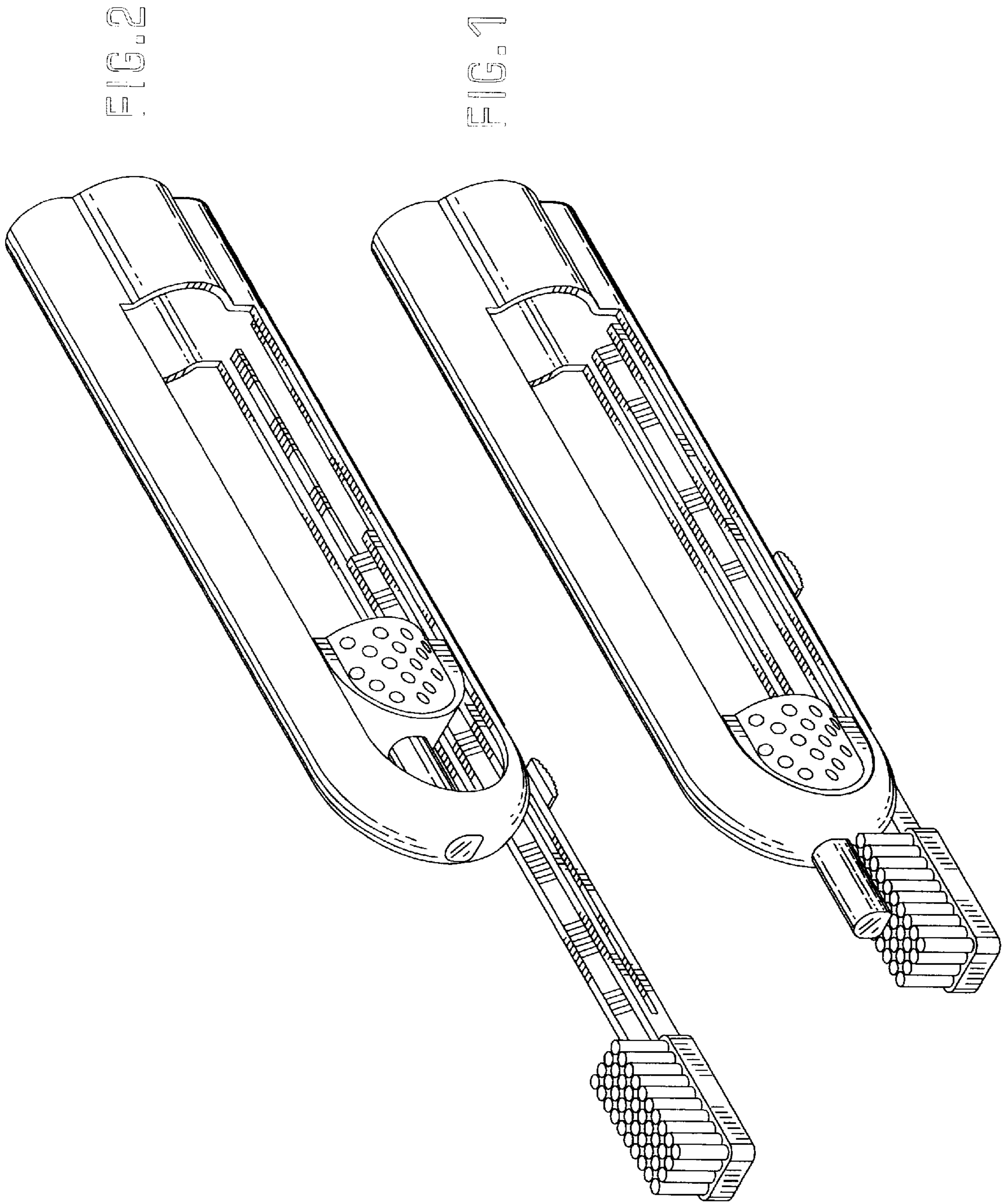
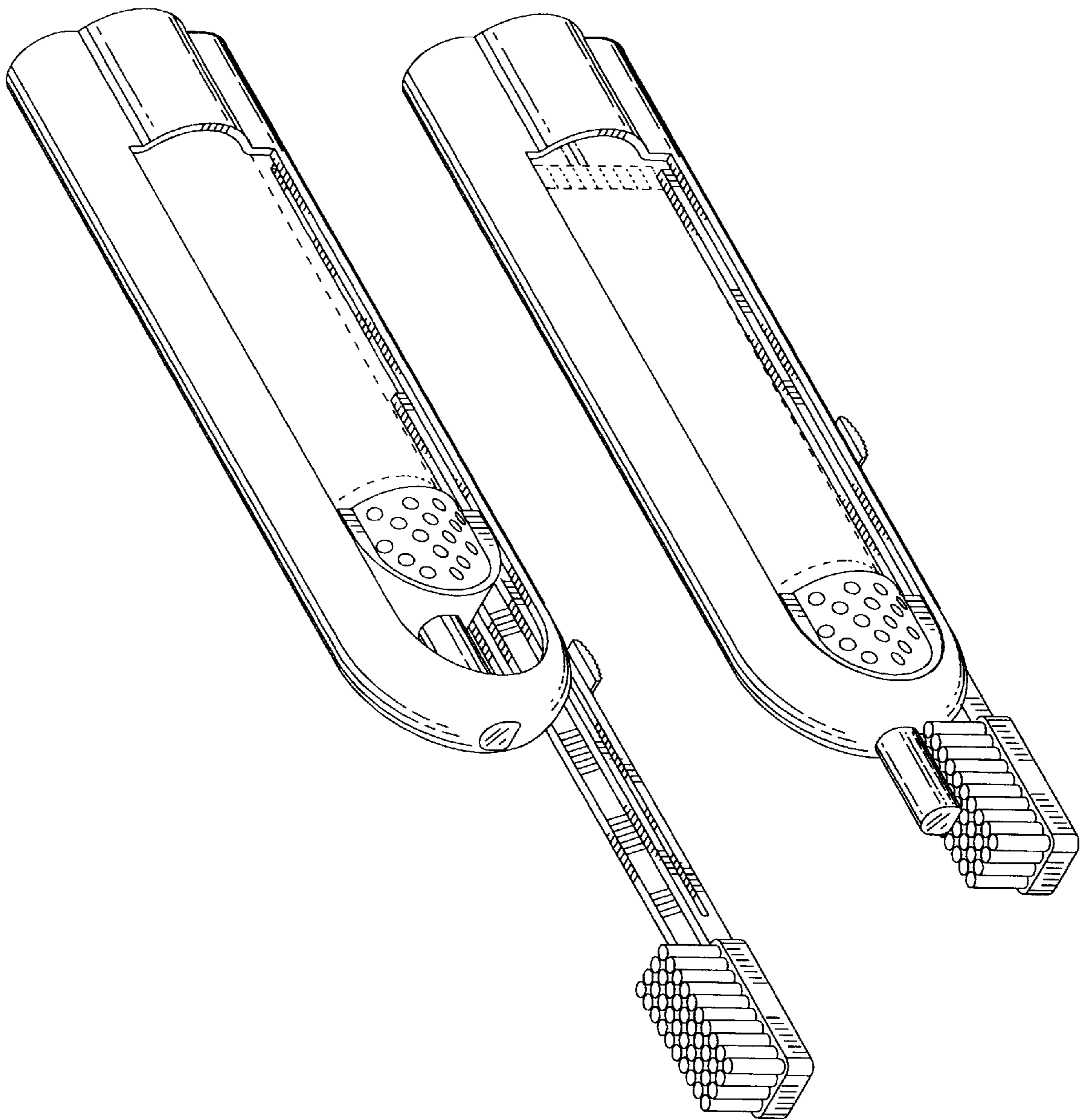


FIG. 2

FIG. 1

FIG. 4

FIG. 3



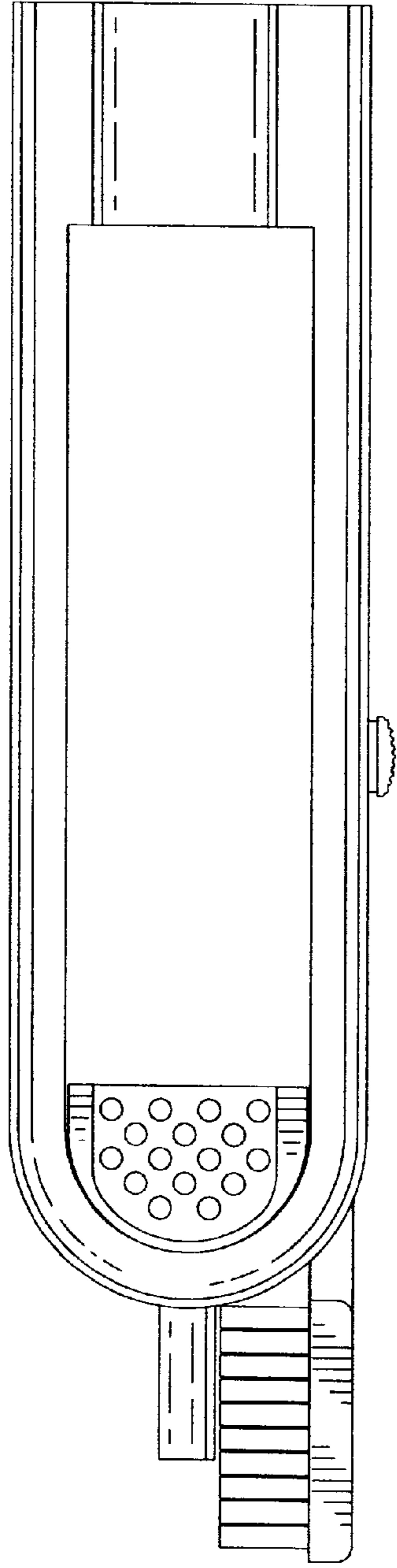


FIG. 5

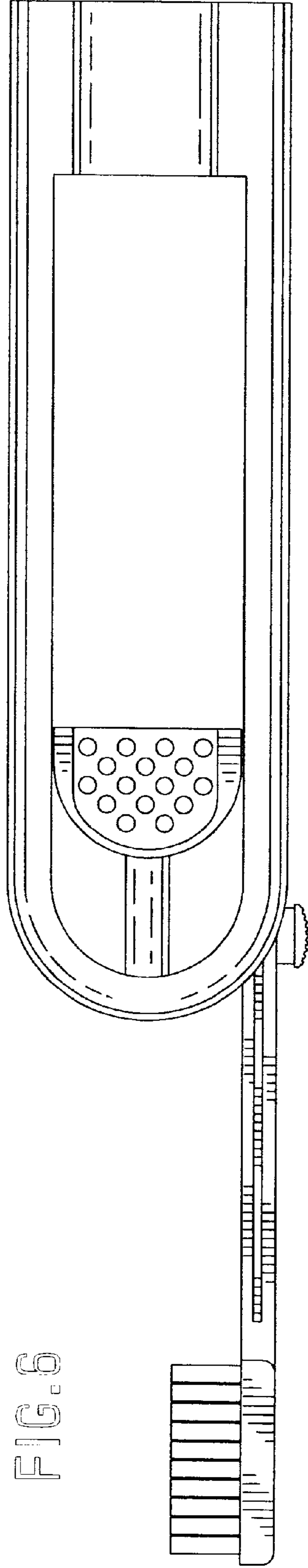


FIG. 6

FIG. 7

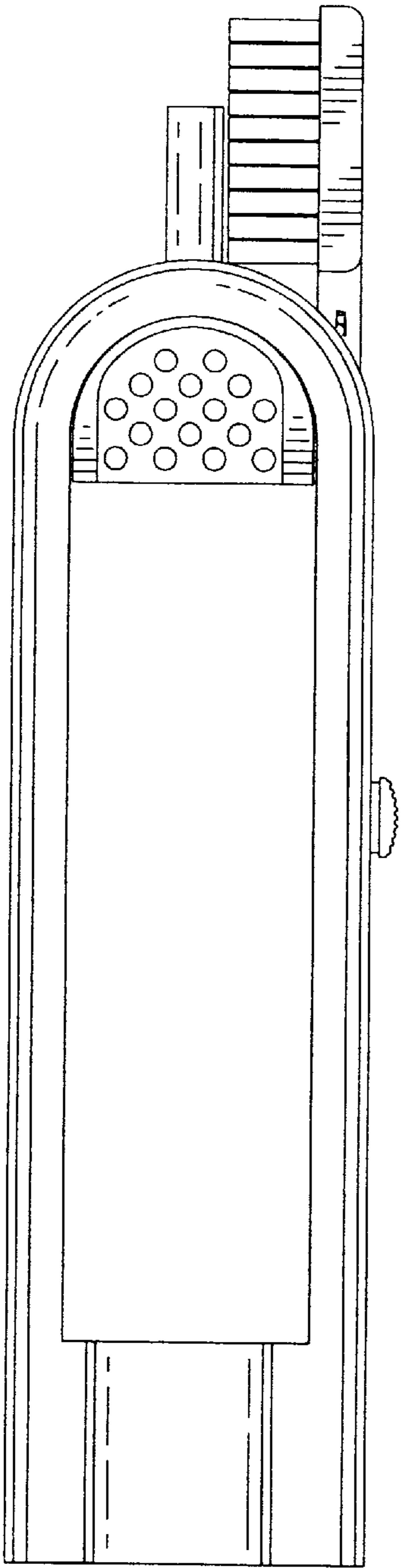
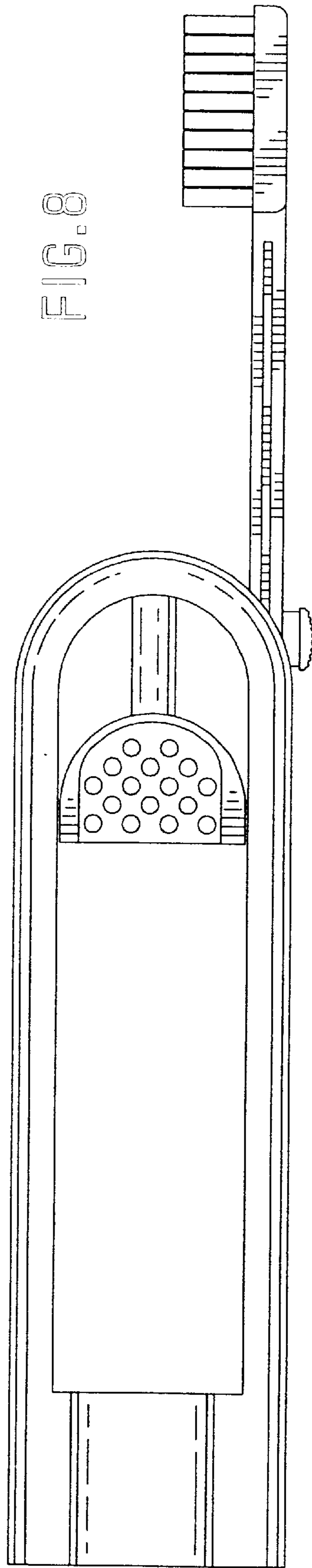


FIG. 8



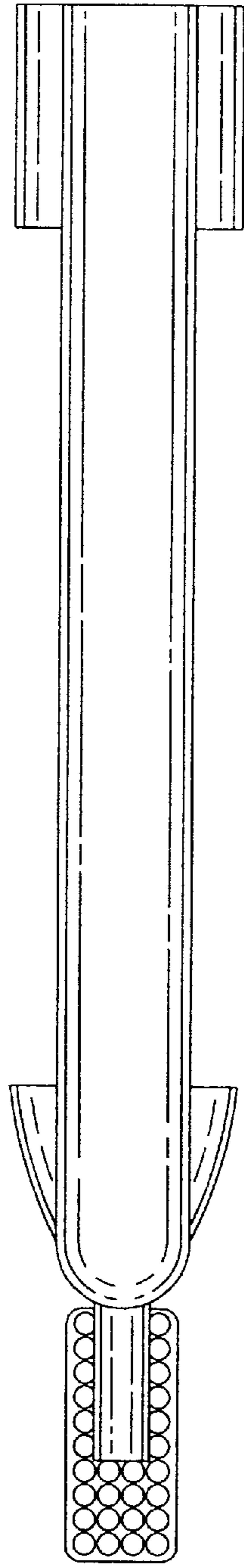


FIG. 9

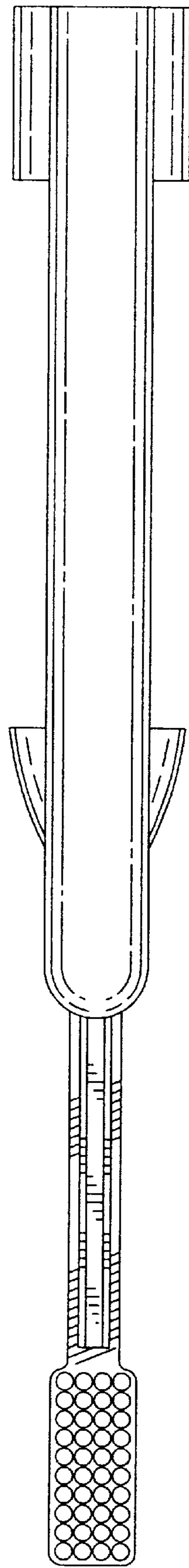


FIG. 10

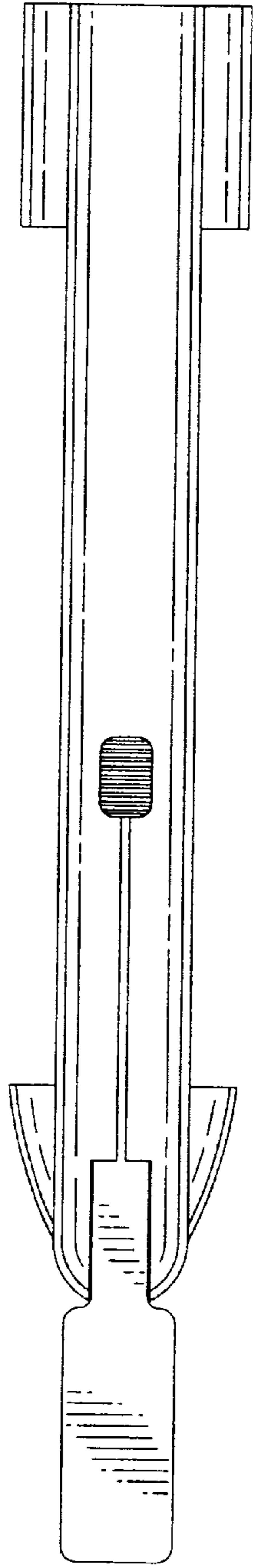


FIG. 11

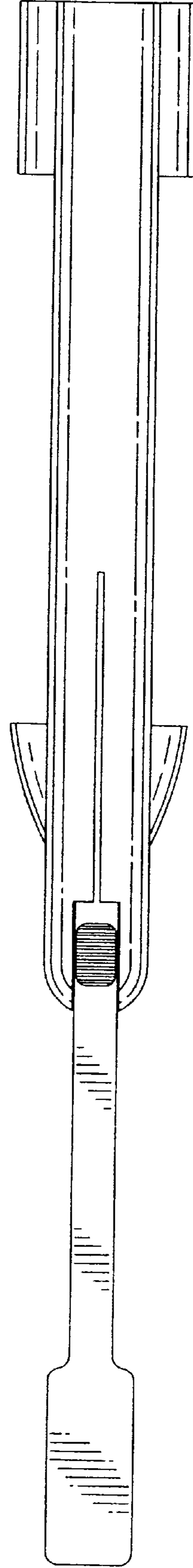


FIG. 12

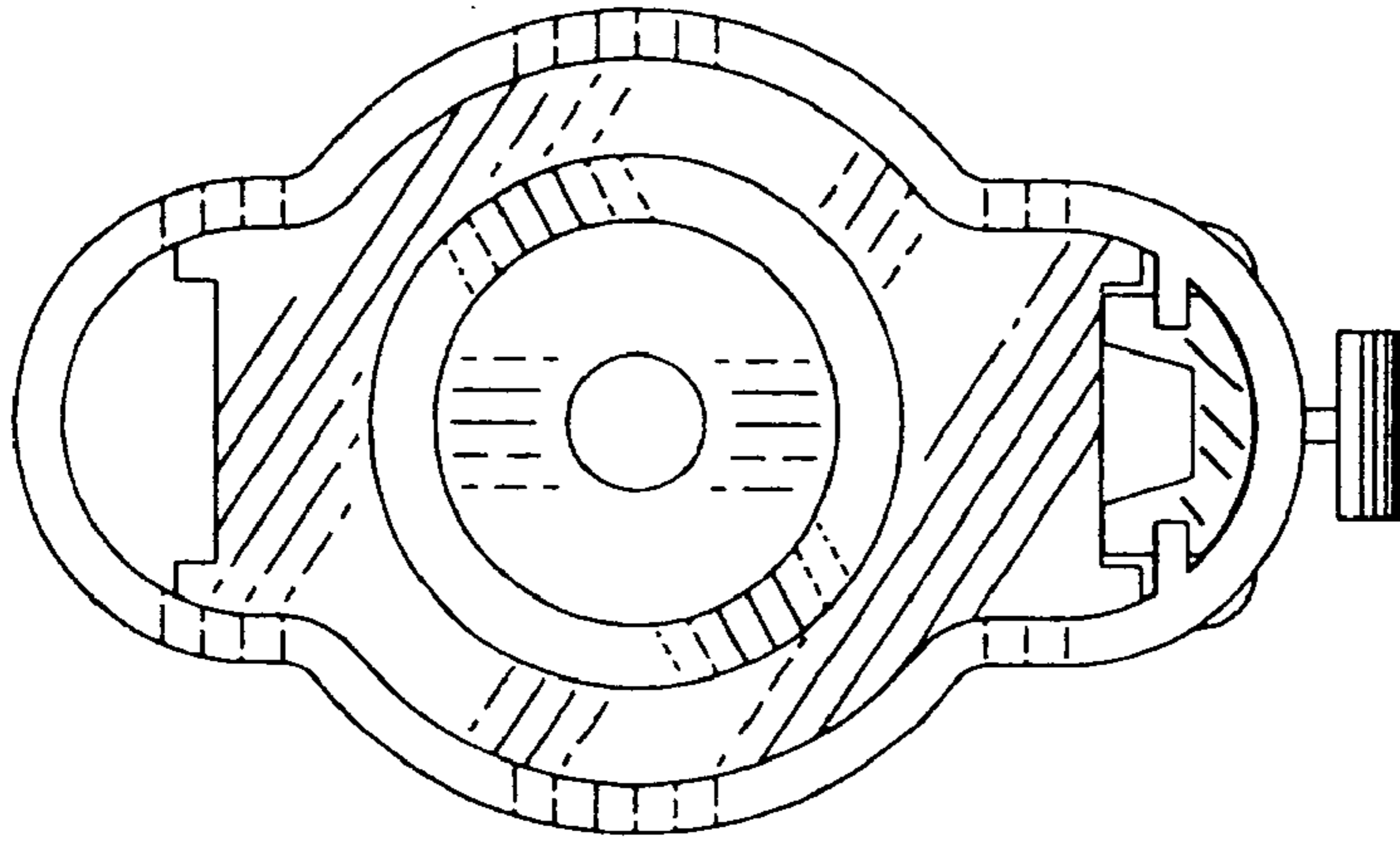


FIG. 14

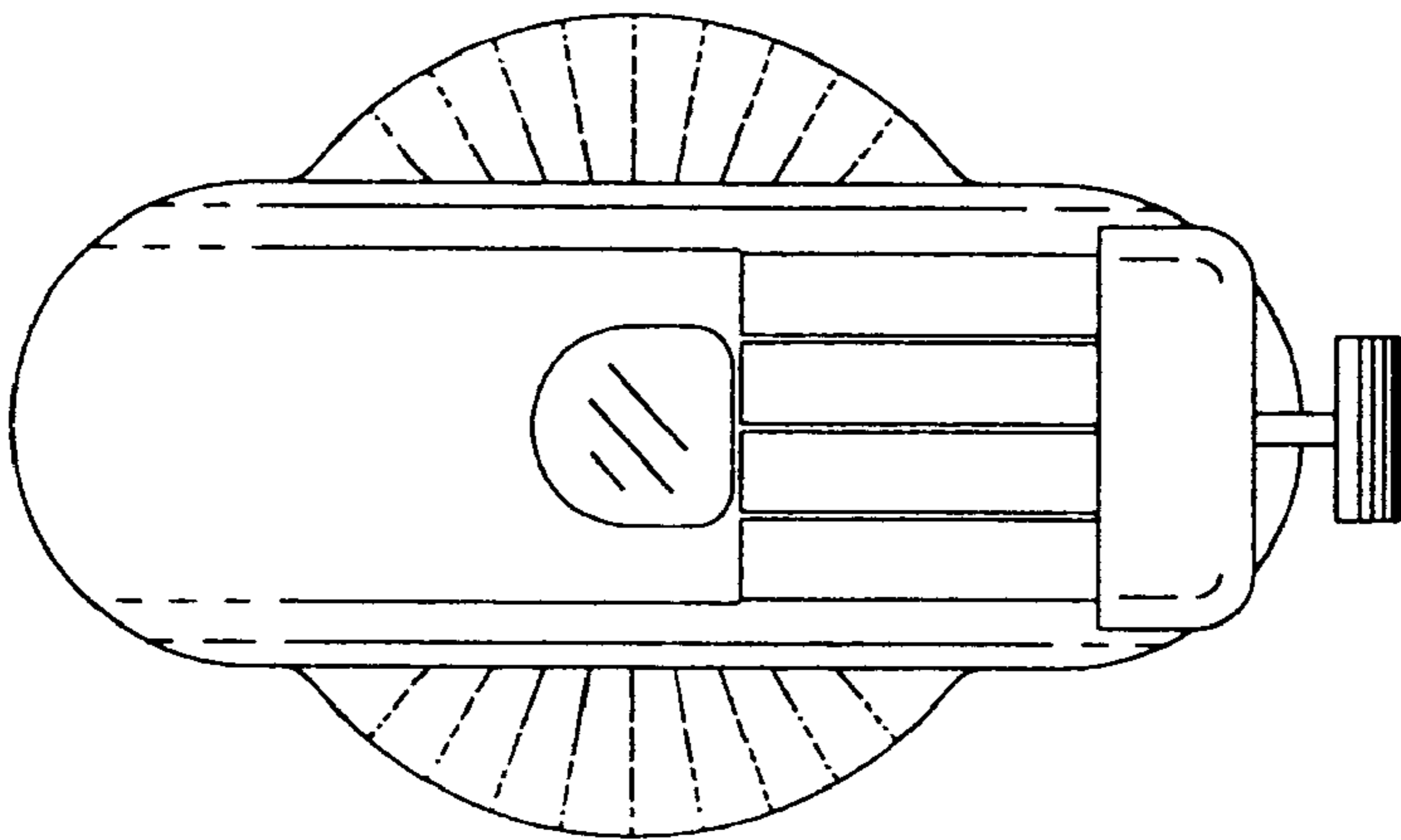


FIG. 13

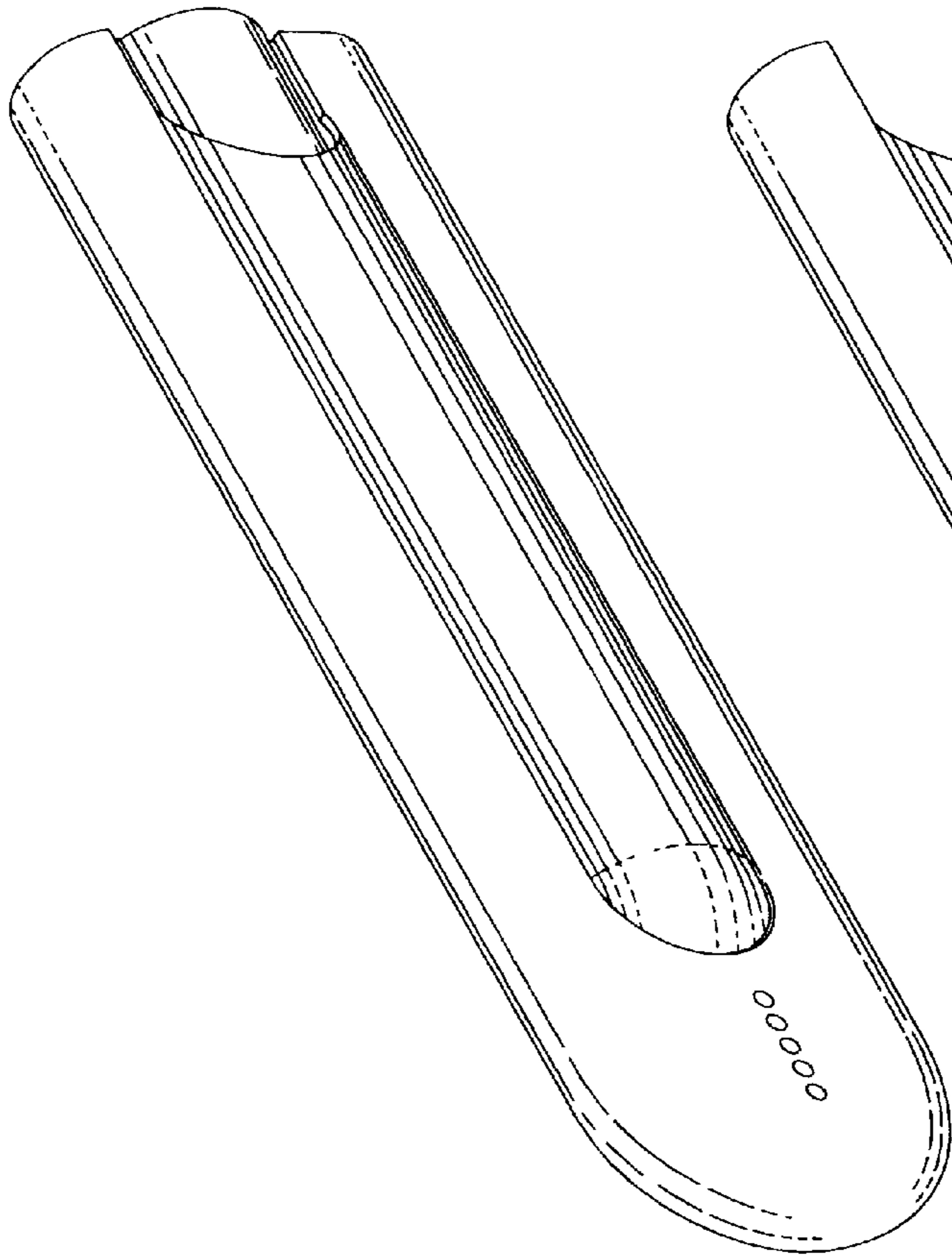


FIG. 15

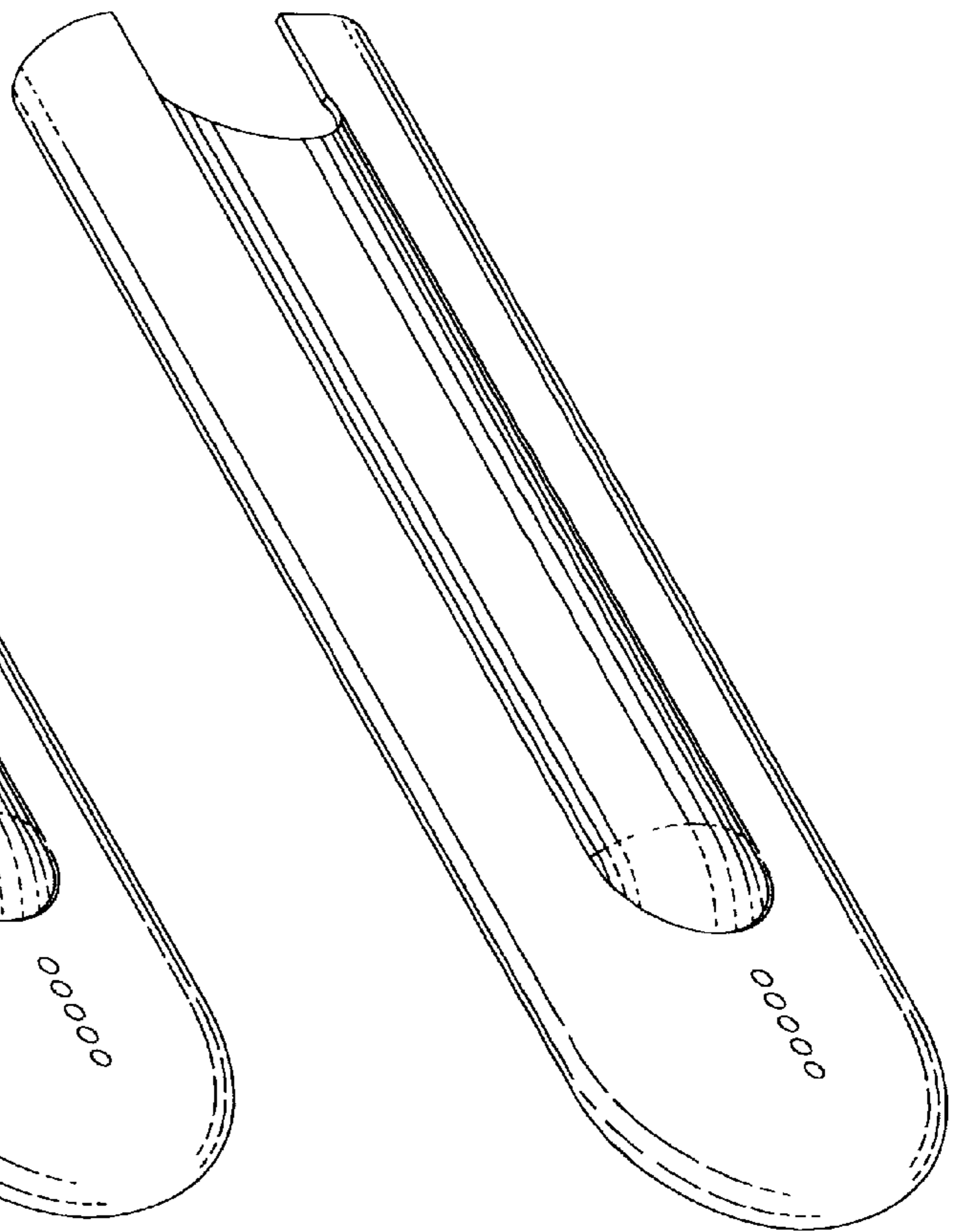


FIG. 16

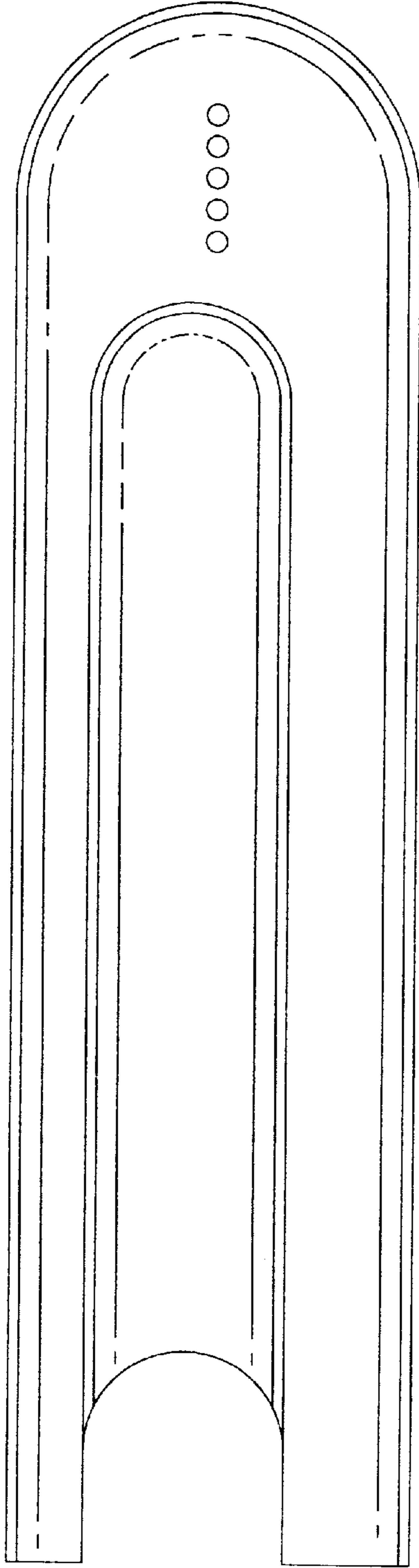


FIG. 17

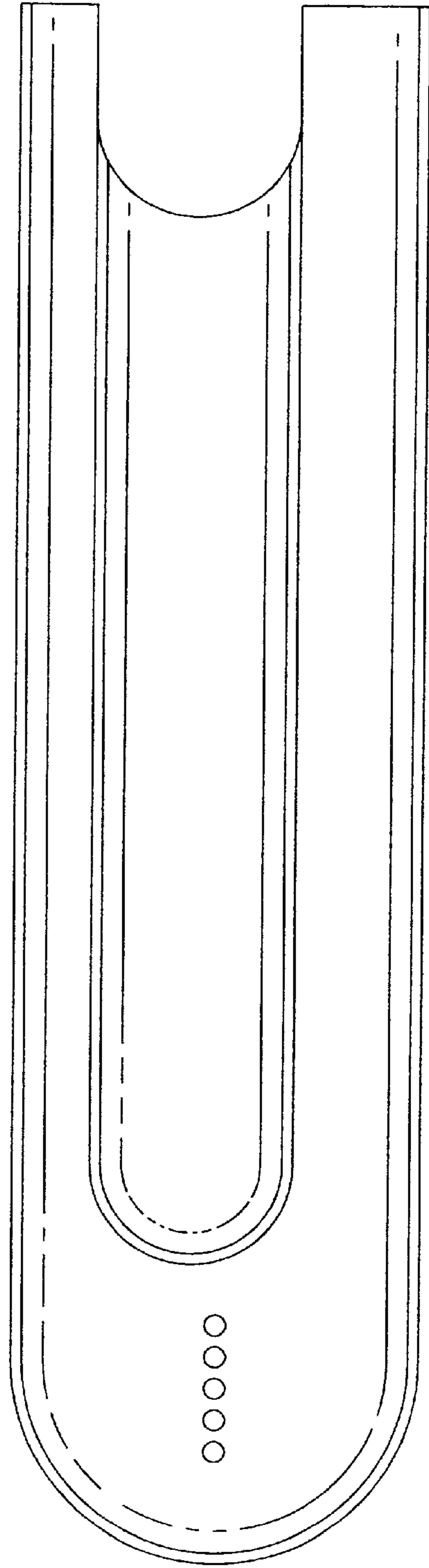


FIG. 18

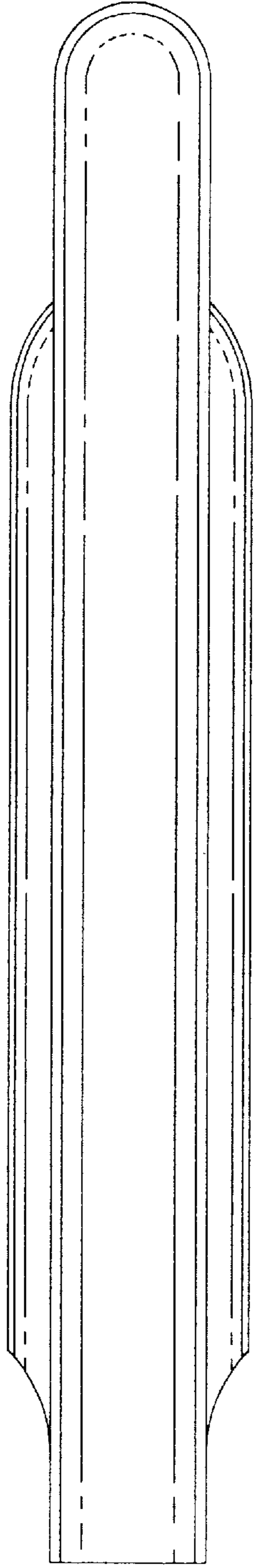


FIG. 19

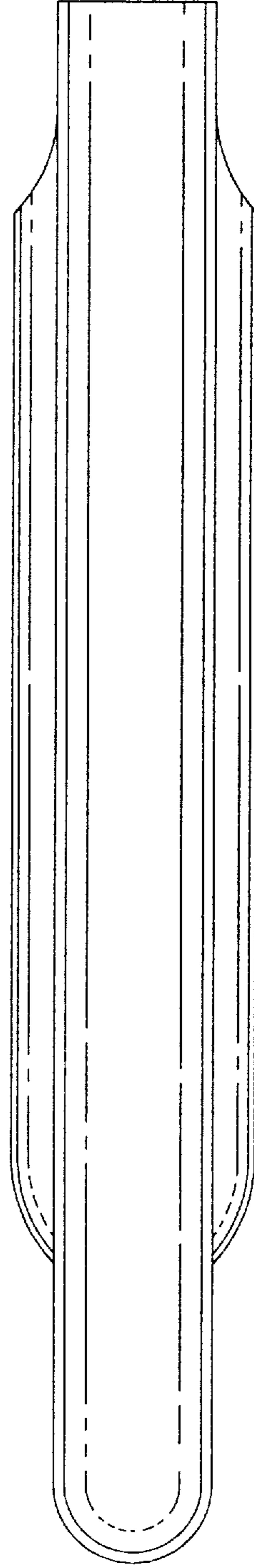


FIG. 20

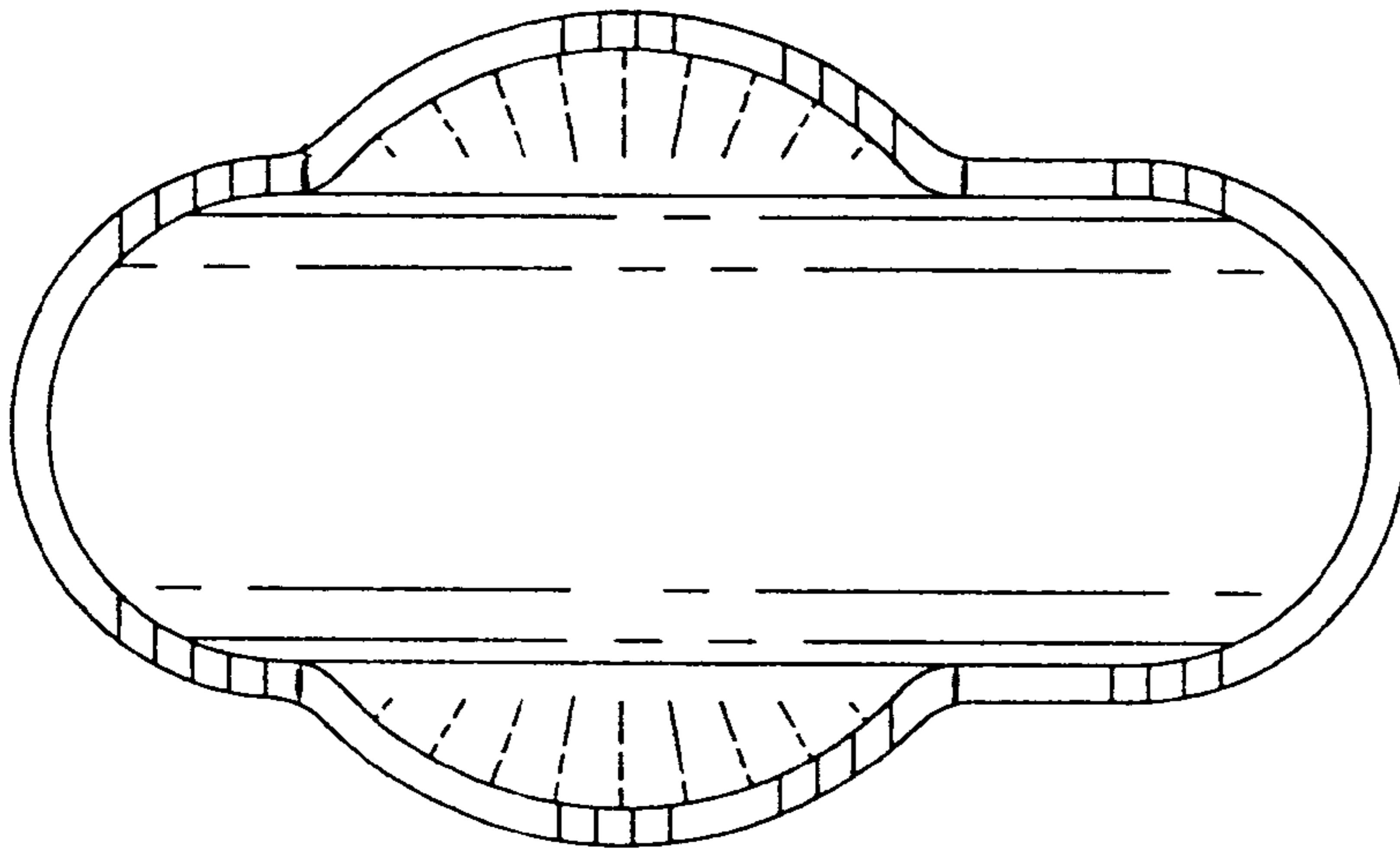


FIG. 22

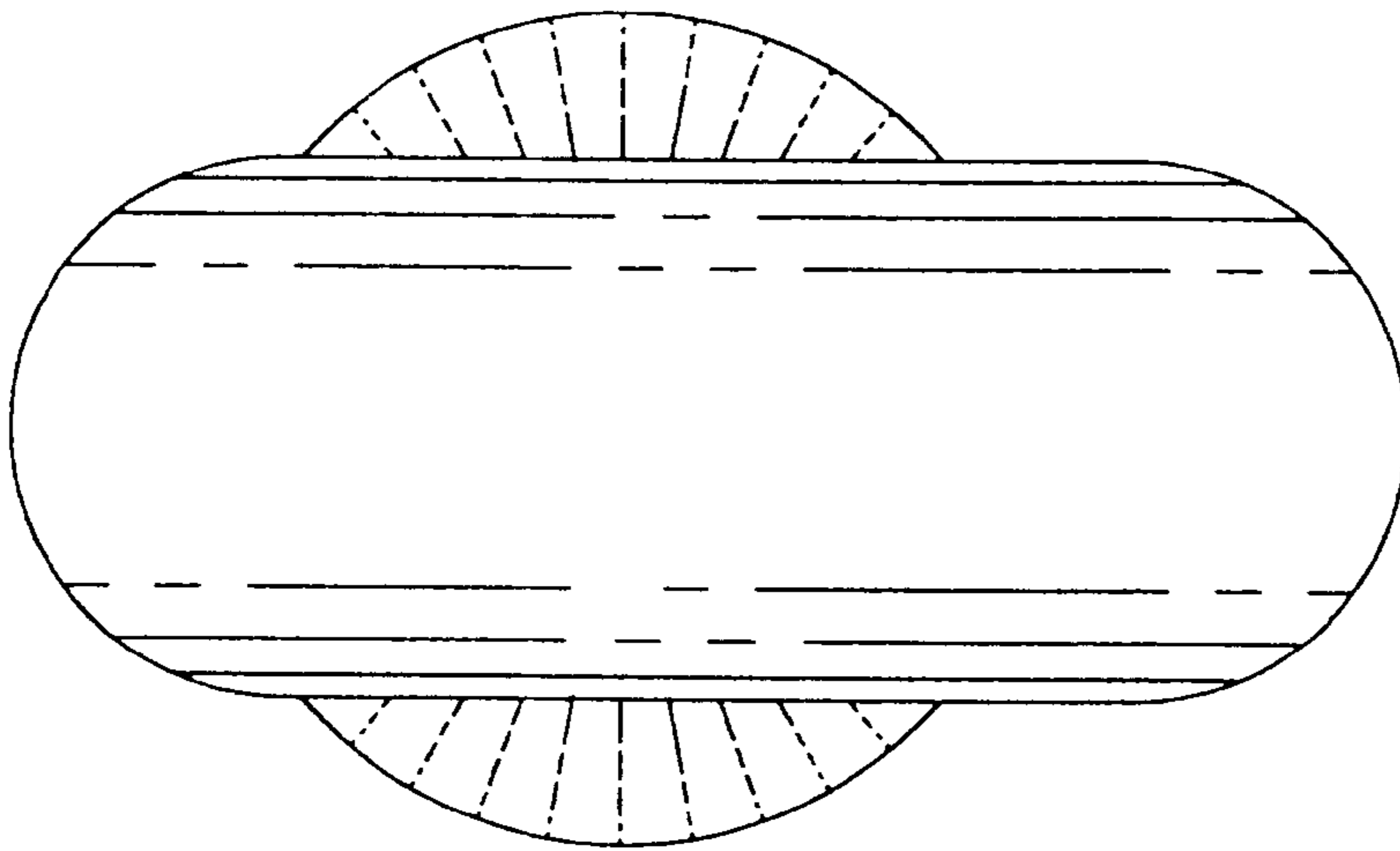


FIG. 21