



US00D426065S

# United States Patent [19]

[11] **Patent Number: Des. 426,065**

**Deveaux**

[45] **Date of Patent: \*\* Jun. 6, 2000**

[54] **COMBINED MULTI-CHILD MODULAR TETHER AND HARNESS UNIT**

*Attorney, Agent, or Firm—Mark P. White*

[76] Inventor: **Linda J. Deveaux**, 15 Milton St., Waltham, Mass. 02454

[57] **CLAIM**

The ornamental design for combined multi-child modular tether and harness unit, as shown and described.

[\*\*] Term: **14 Years**

**DESCRIPTION**

[21] Appl. No.: **29/093,029**

FIG. 1 is a perspective view of the combined multi-child modular tether and harness unit showing my new design in use, it being understood that the broken lines are for illustrative purposes only and form no part of the claimed design; FIG. 2 is a greatly enlarged fragmentary perspective view of the modular junction connector and the two ends of the harness straps shown separately for clarity of illustration; FIG. 3 is a greatly enlarged fragmentary top plan view of the modular junction connector and the end of one of the harness straps shown separately for clarity of illustration; FIG. 4 is a greatly enlarged side elevation view of the modular junction connector thereof shown separately for clarity of illustration; and FIG. 5 is a perspective view of one of the harness straps shown separately for clarity of illustration; and, FIG. 6 is an enlarged fragmentary perspective view of FIG. 1 showing portions of the combined multi-child modular tether and harness unit in greater detail.

[22] Filed: **Sep. 1, 1998**

[51] **LOC (7) Cl. .... 03-01**

[52] **U.S. Cl. .... D3/327**

[58] **Field of Search** ..... 54/1, 20; 119/770, 119/792, 795, 776, 857, 793, 798; 128/875, 876; D3/327; D29/100, 101, 122; D30/152, 151, 153, 154

[56] **References Cited**

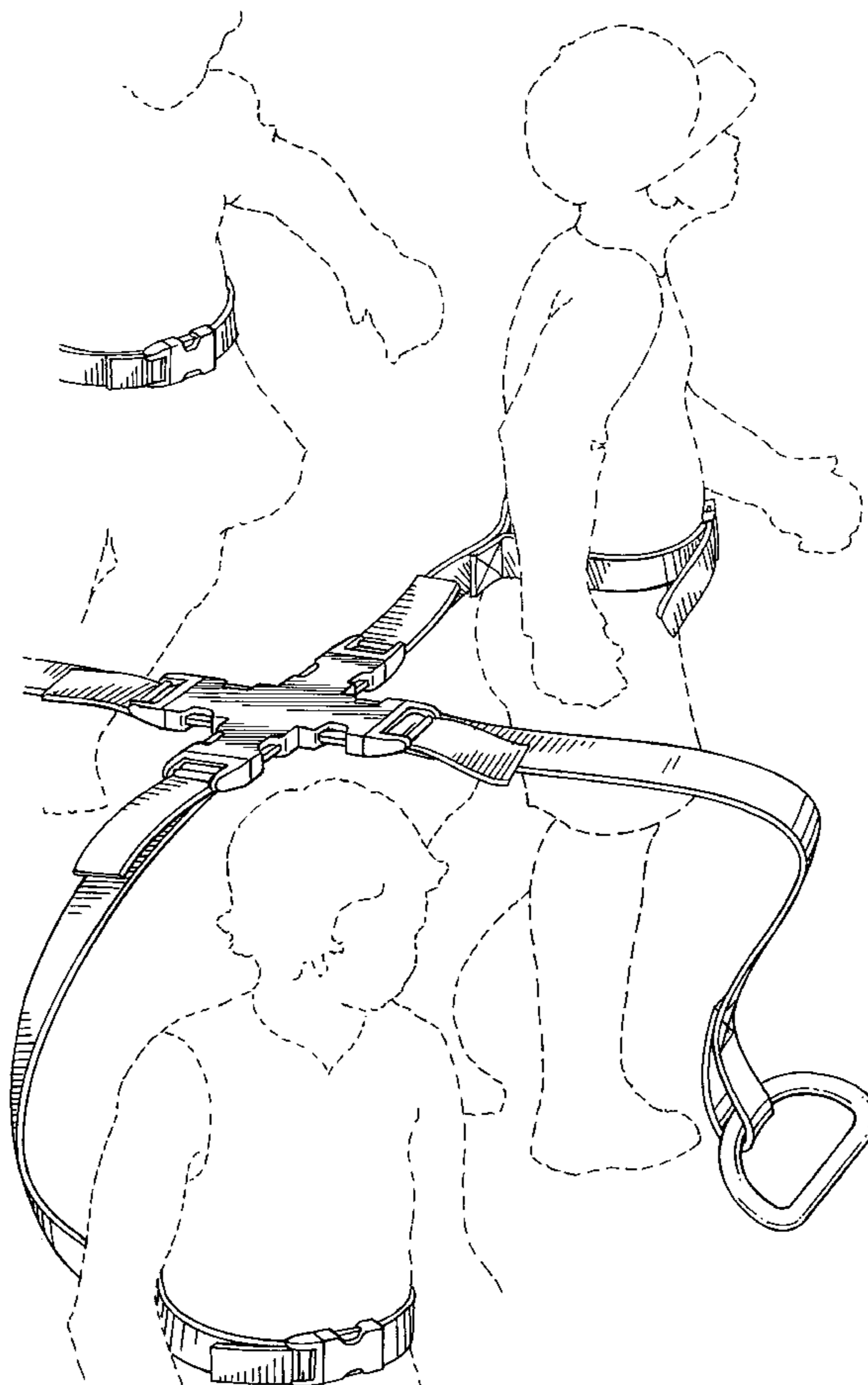
**U.S. PATENT DOCUMENTS**

D. 383,256	9/1997	Hampton	.....	D30/153
4,308,629	1/1982	Freemon	.....	D30/153
4,666,017	5/1987	Zimmerman	.....	119/96
4,667,624	5/1987	Smith	.....	119/96
5,069,168	12/1991	Roberson et al.	.....	D29/101
5,813,367	9/1998	O'Brian	.....	119/770

*Primary Examiner—Louis S. Zarfes*

*Assistant Examiner—Robert A. Delehanty*

**1 Claim, 5 Drawing Sheets**



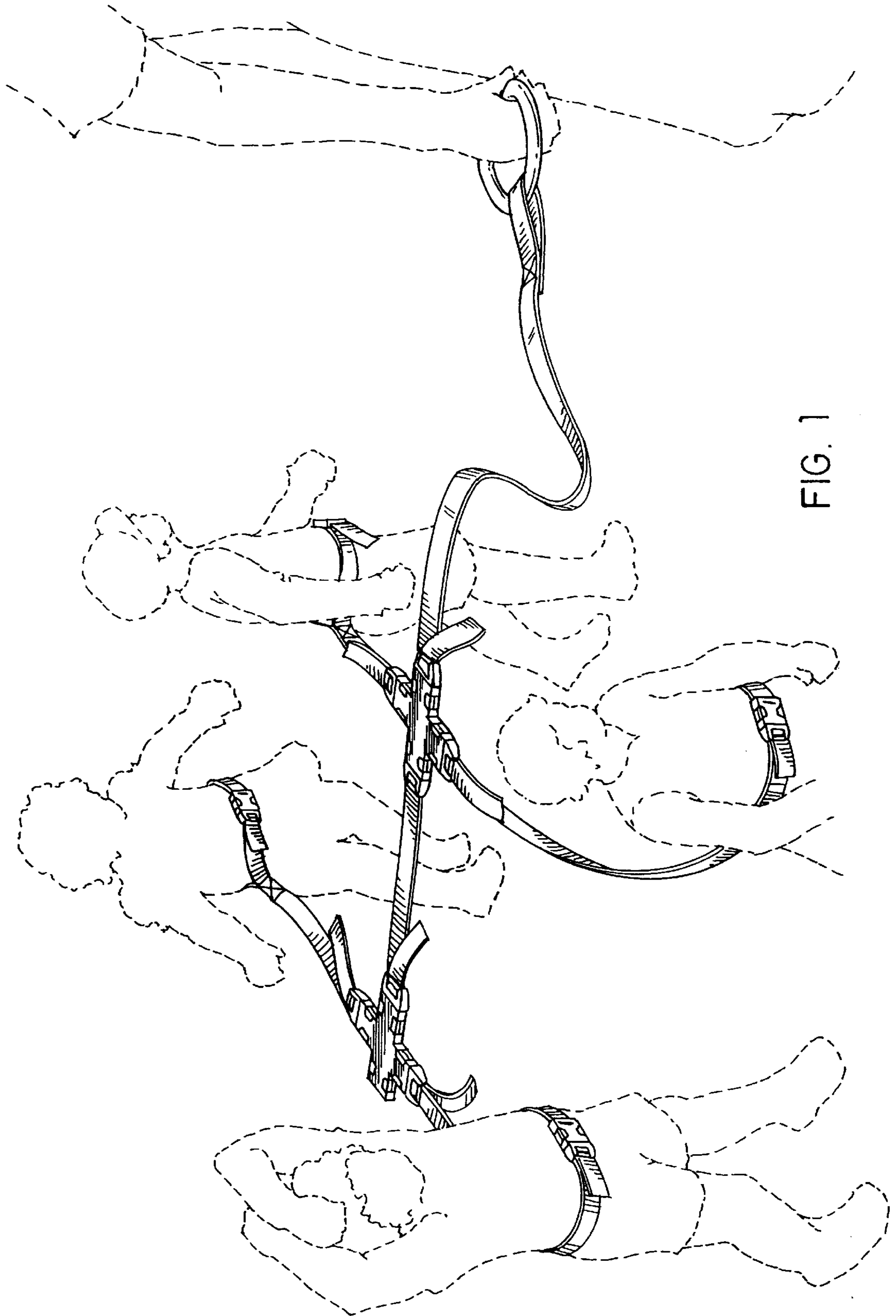


FIG. 1

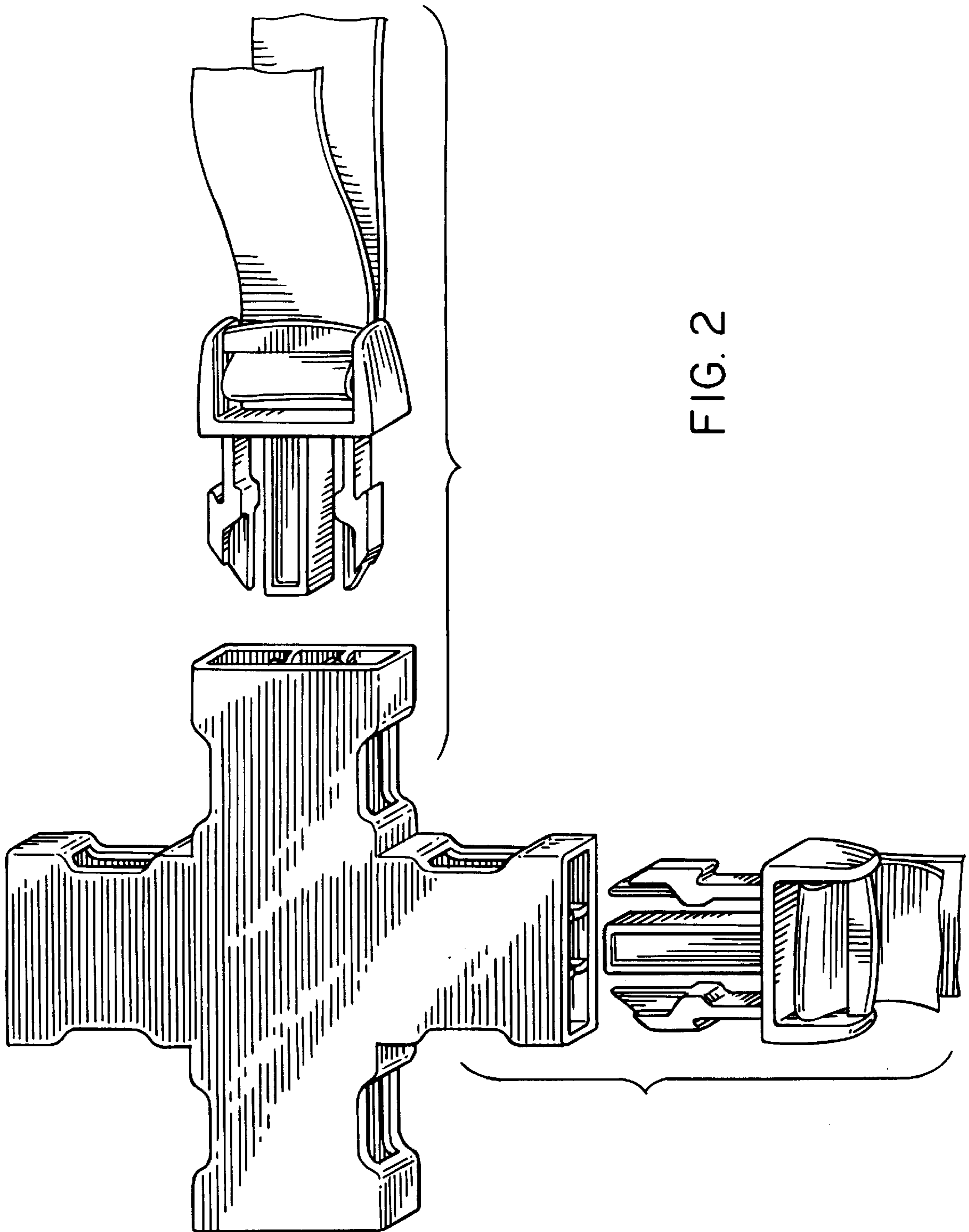


FIG. 2

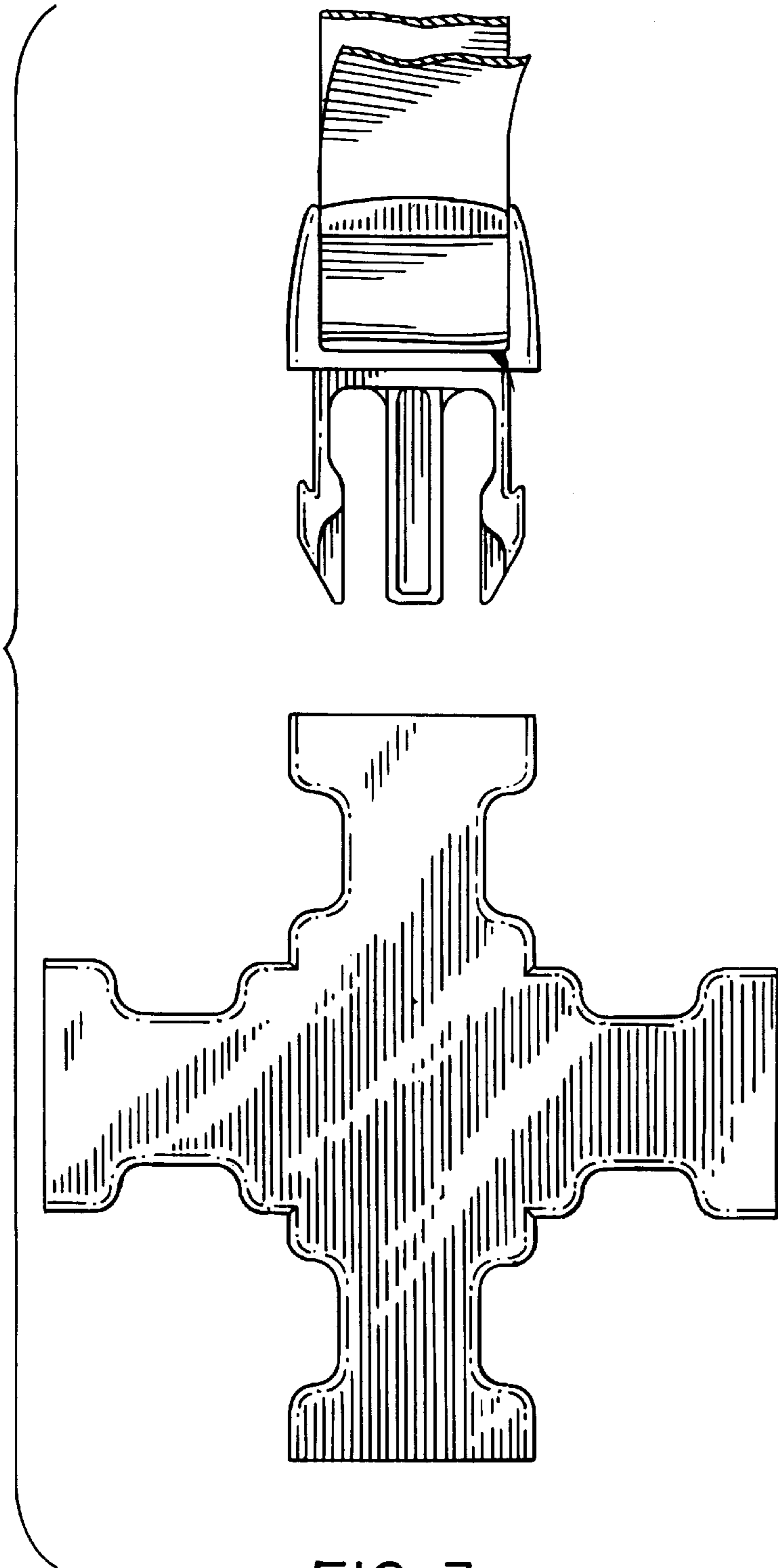


FIG. 3

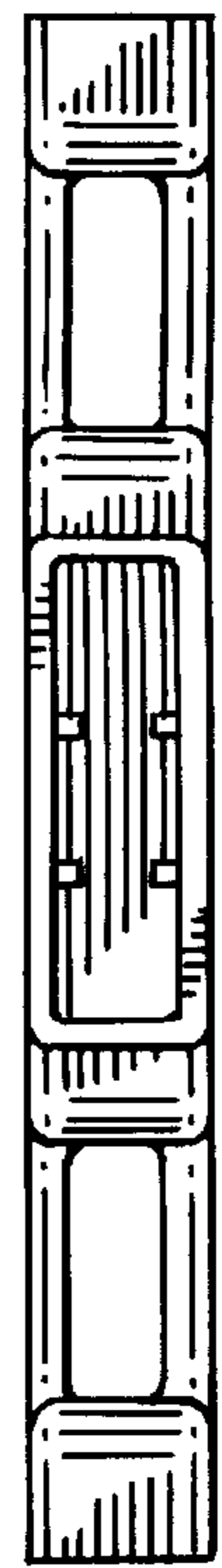


FIG. 4

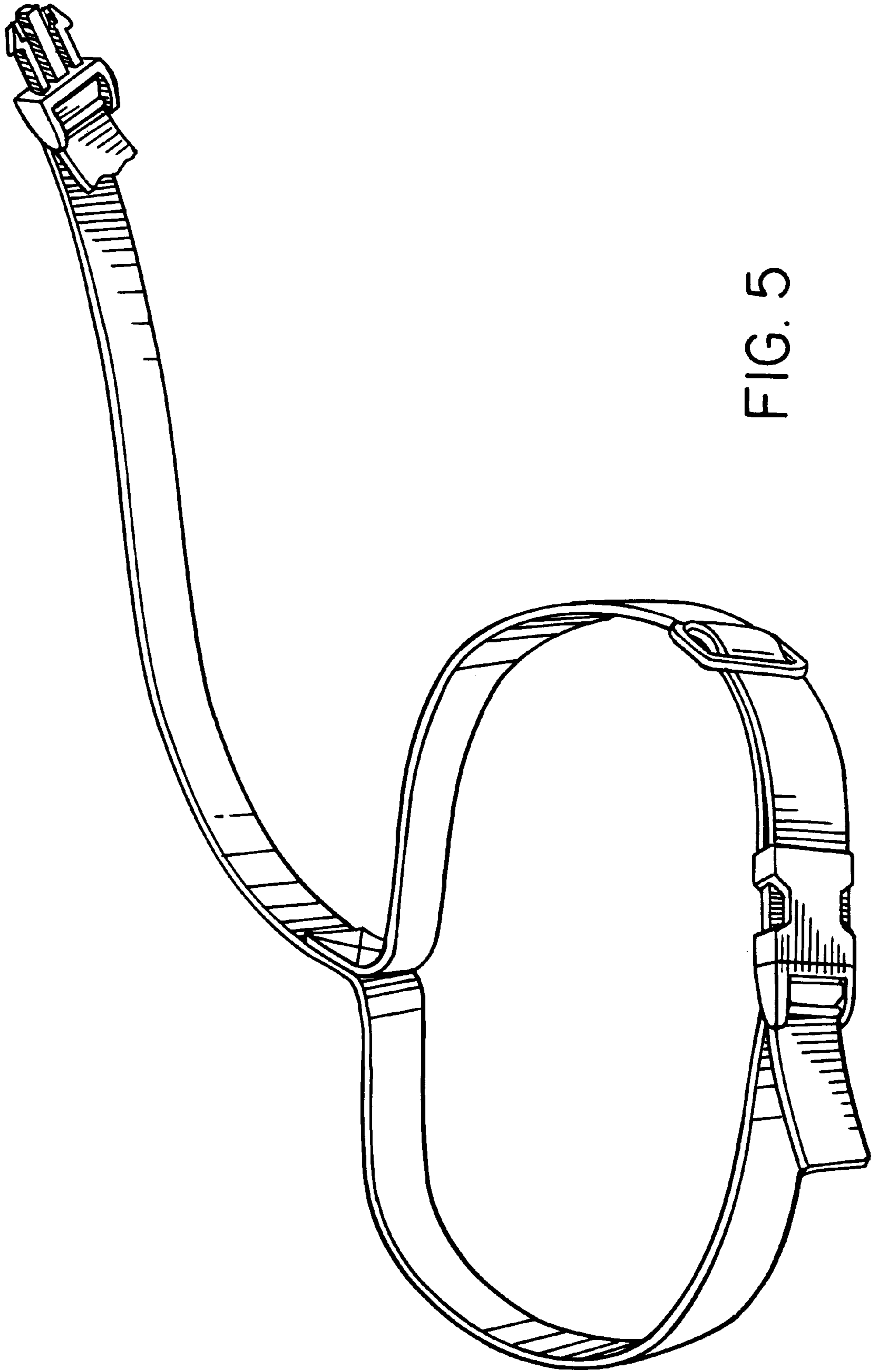


FIG. 5

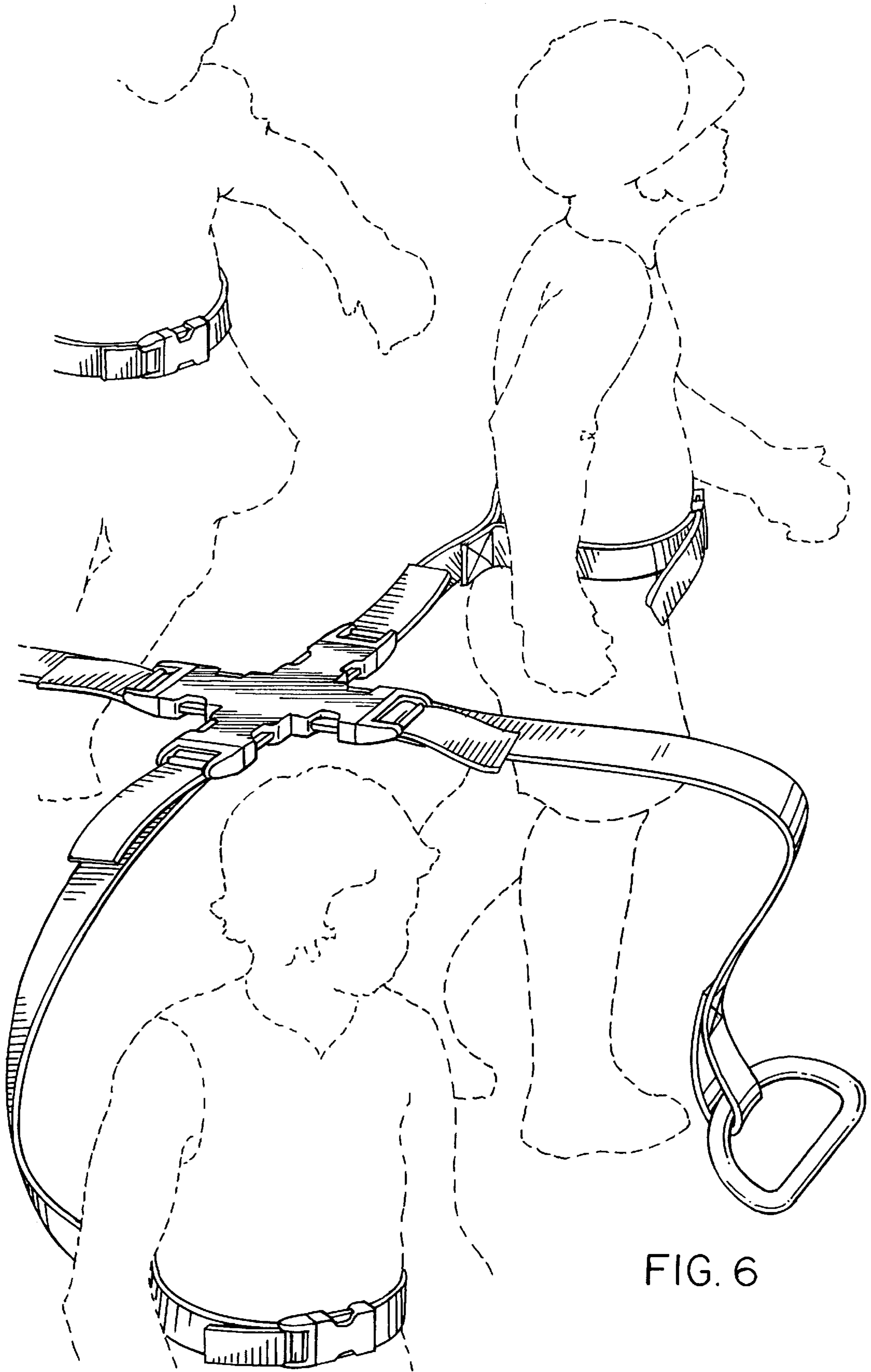


FIG. 6