



US00D426062S

United States Patent [19]
Shui-Shang

[11] **Patent Number: Des. 426,062**
[45] **Date of Patent: ** Jun. 6, 2000**

[54] **TOOL BOX**

5,547,098 8/1996 Jordan 220/23.86
5,802,760 9/1998 Campbell 43/54.1 X
5,970,651 10/1999 Torkilsen et al. 43/54.1

[76] Inventor: **Chen Shui-Shang**, 199, Su Mou Road,
Ho Mei Township, Chan Hua Hsien,
Taiwan

Primary Examiner—Louis S. Zarfaz
Assistant Examiner—Catherine R. Oliver
Attorney, Agent, or Firm—Harrison & Egbert

[**] Term: **14 Years**

[21] Appl. No.: **29/106,460**

[57] **CLAIM**

[22] Filed: **Jun. 14, 1999**

The ornamental design for the tool box, as shown and described.

[51] **LOC (7) Cl.** **03-01**

DESCRIPTION

[52] **U.S. Cl.** **D3/315; D3/905**

[58] **Field of Search** D3/315, 904, 905,
D3/260, 273; 206/315.11; 43/57.1, 54.1,
26; D32/53.1, 54; 220/23.86

FIG. 1 is an perspective view of the tool box showing my design.

FIG. 2 is a front view thereof;

FIG. 3 is a top view thereof;

FIG. 4 is a side view thereof;

FIG. 5 is a bottom view thereof;

FIG. 6 is a rear view thereof; and,

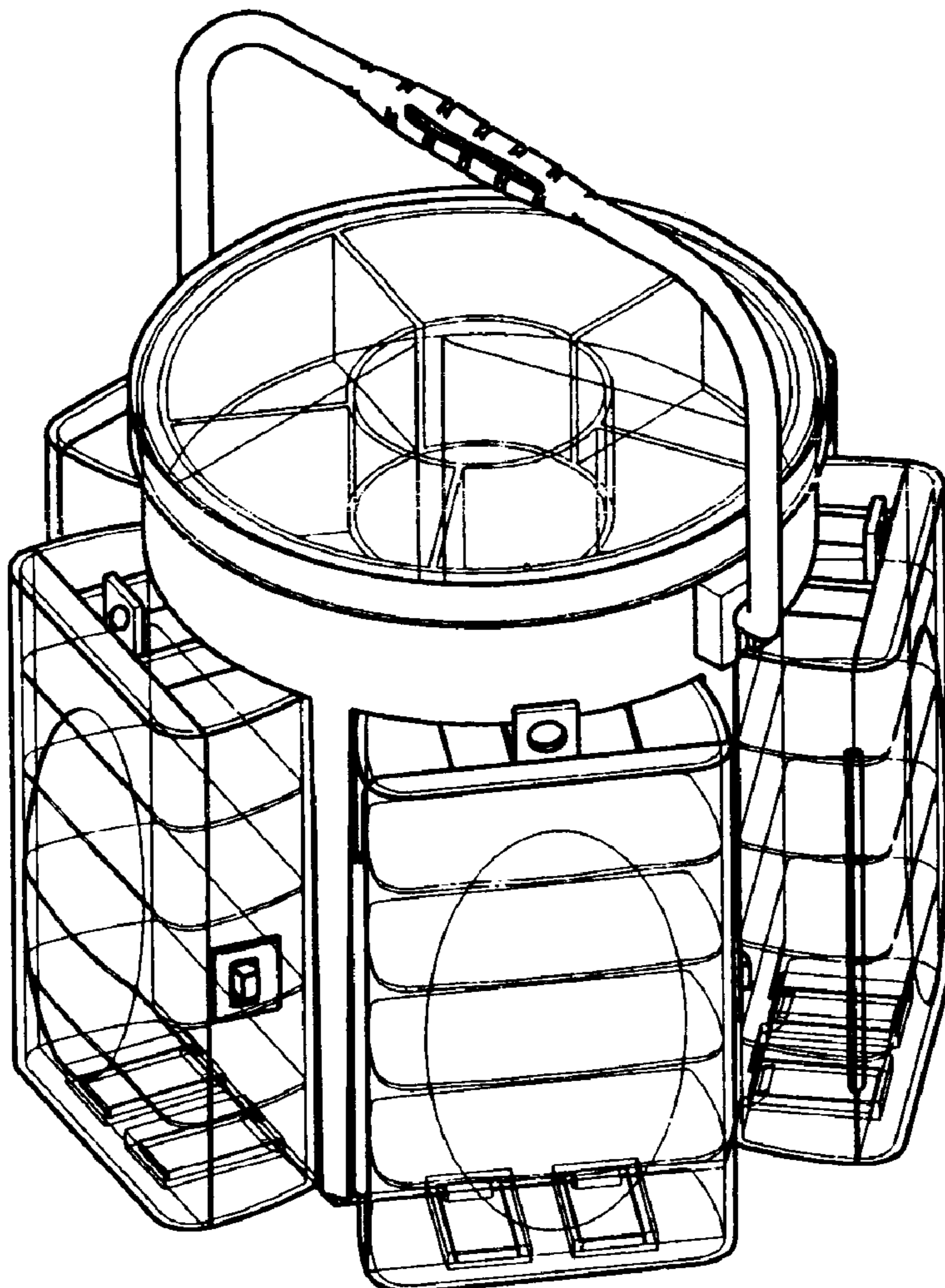
FIG. 7 is an opposite side view thereof.

[56] **References Cited**

U.S. PATENT DOCUMENTS

D. 240,955 8/1976 Satten D3/905
D. 365,506 12/1995 Spitere D3/905
D. 372,125 7/1996 Frazier D3/315
3,378,134 4/1968 Wilkinson et al. 206/315.11

1 Claim, 4 Drawing Sheets



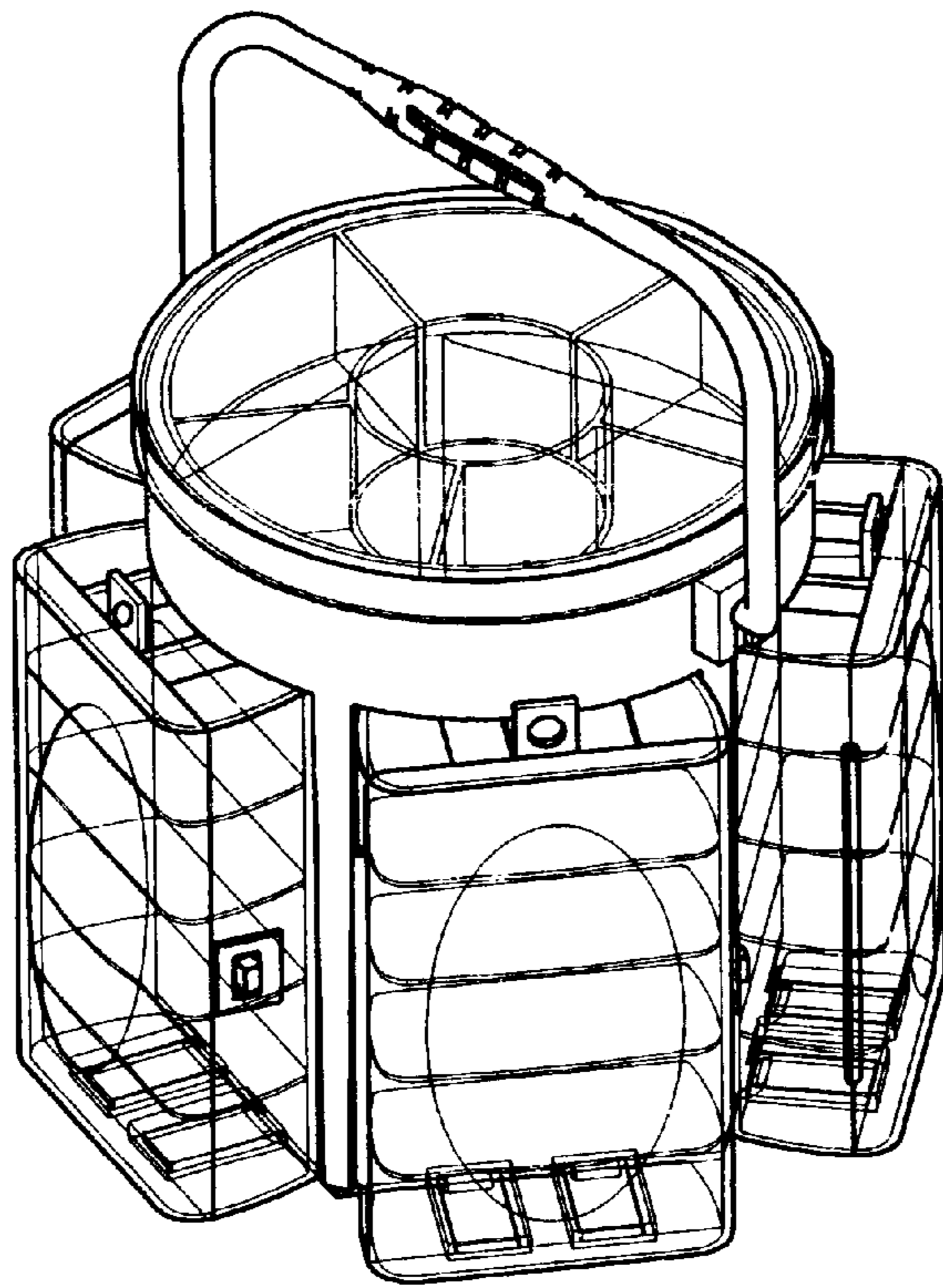


FIG. 1

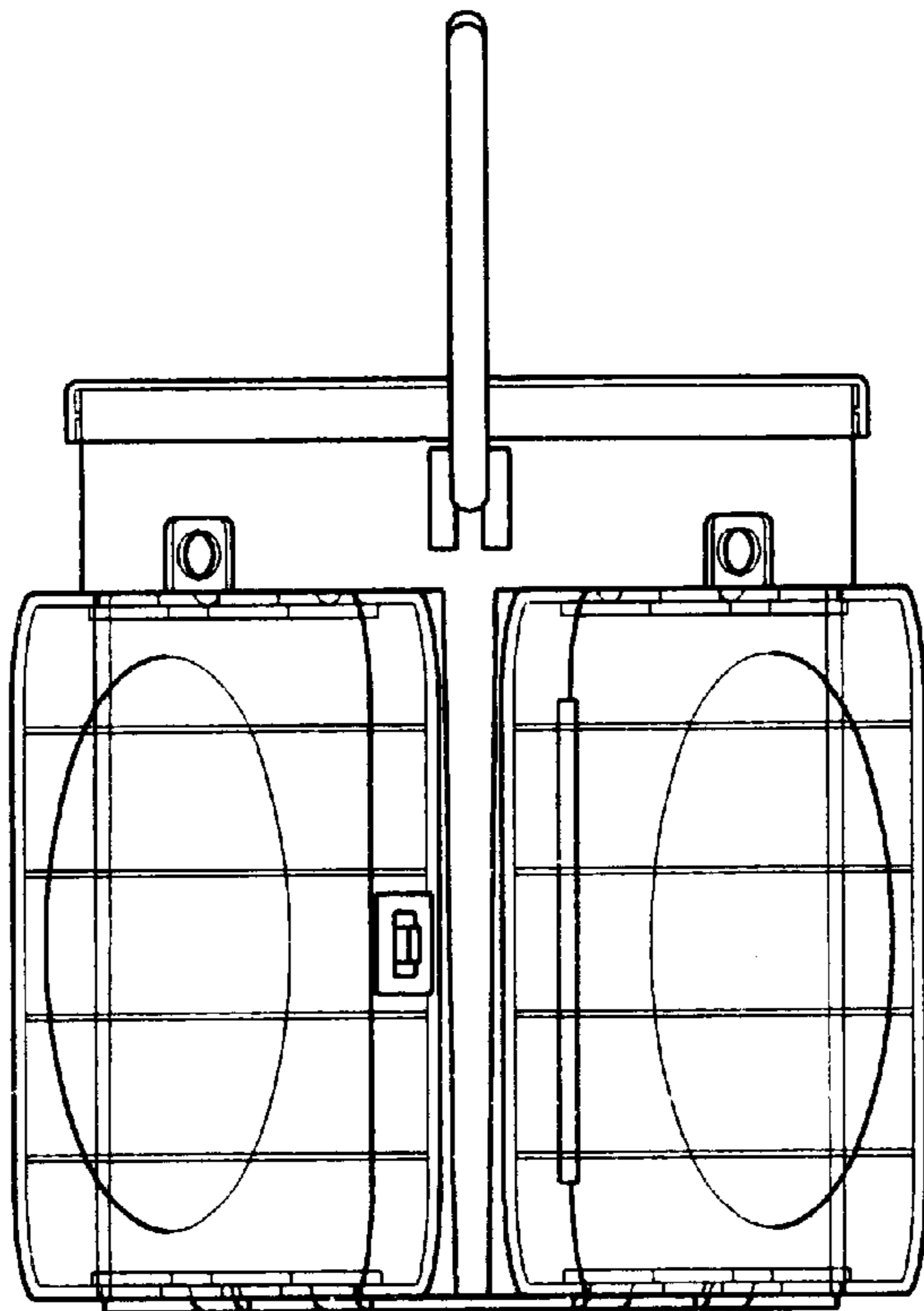


FIG. 2

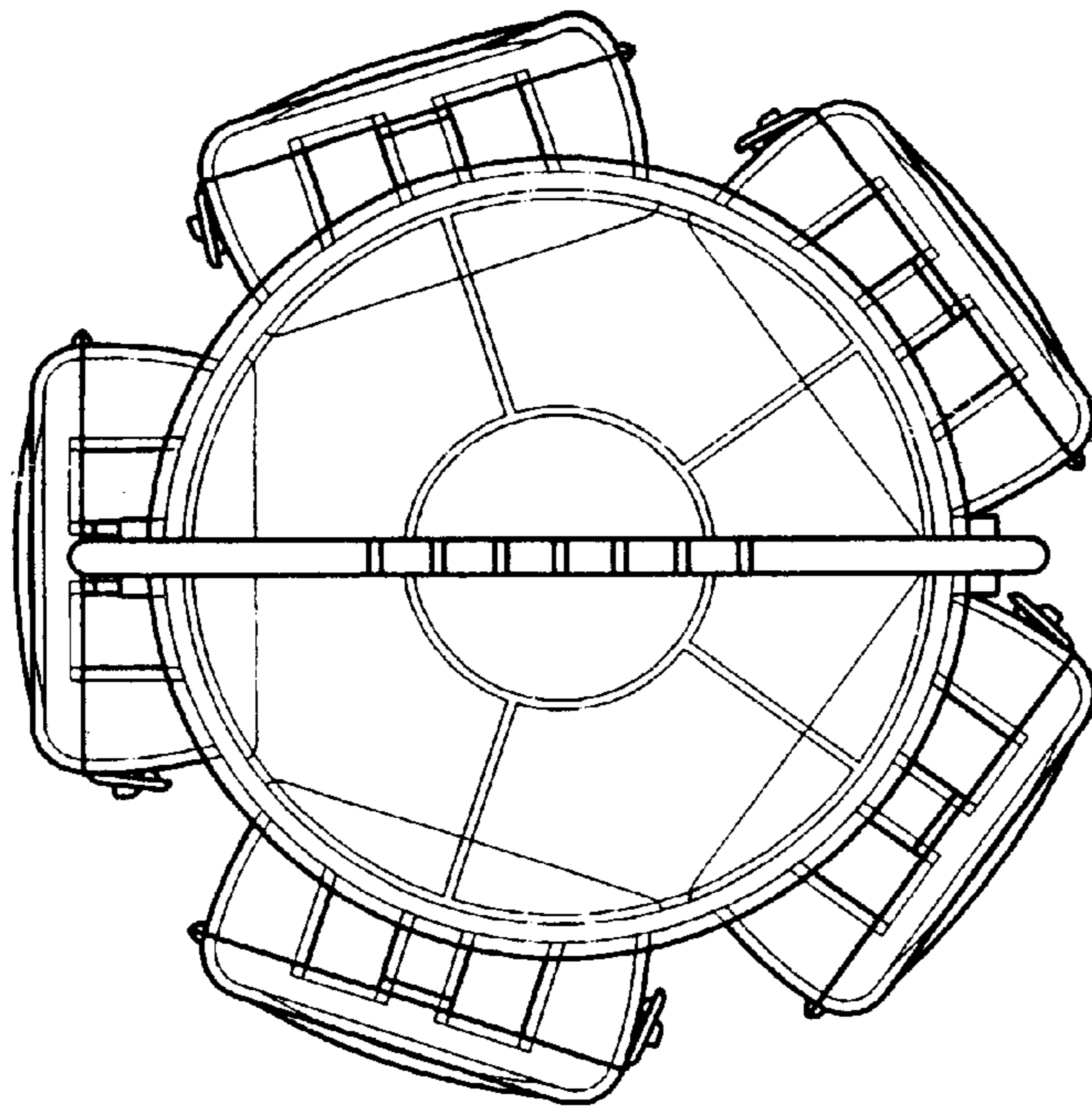


FIG. 3

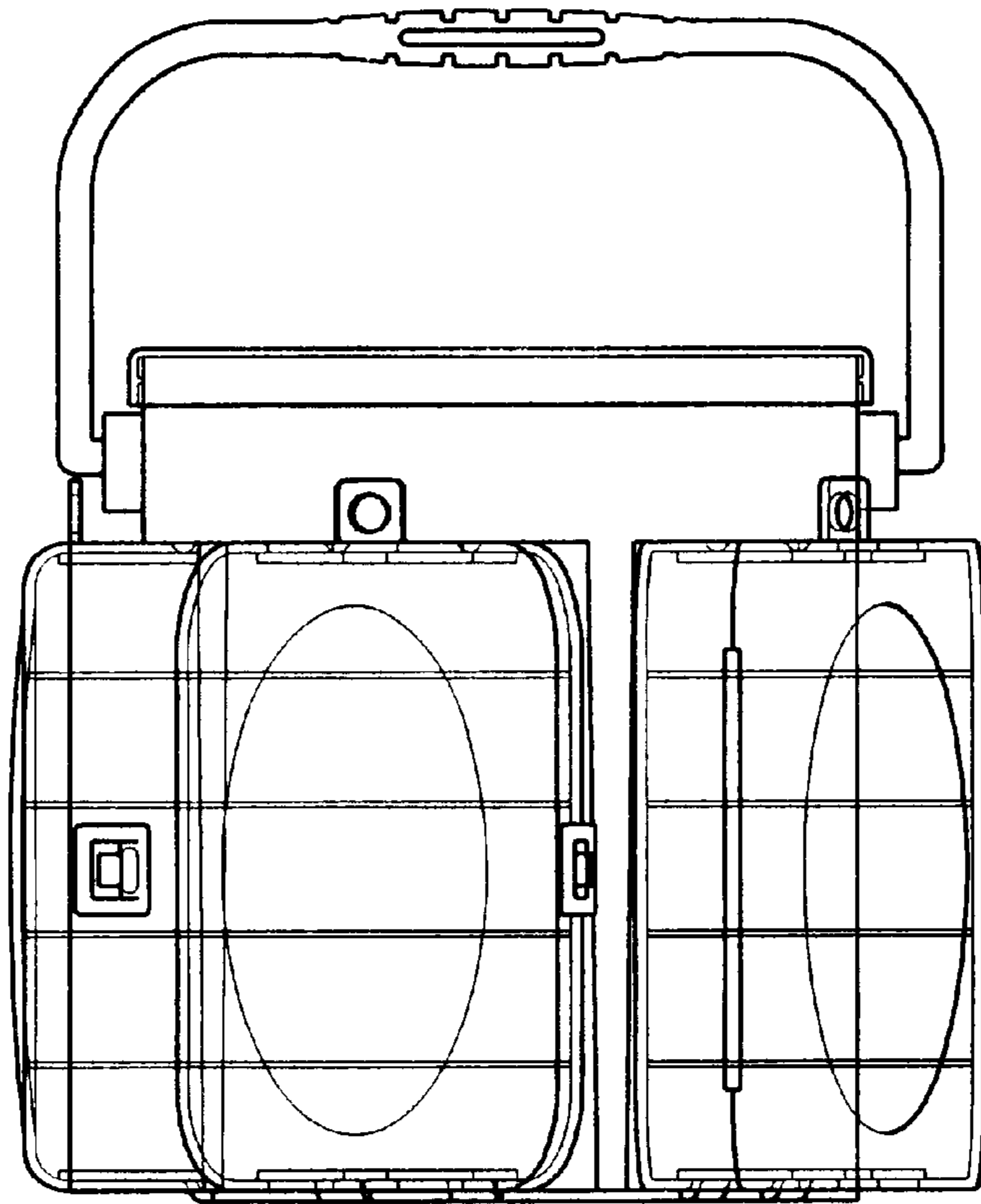


FIG. 4

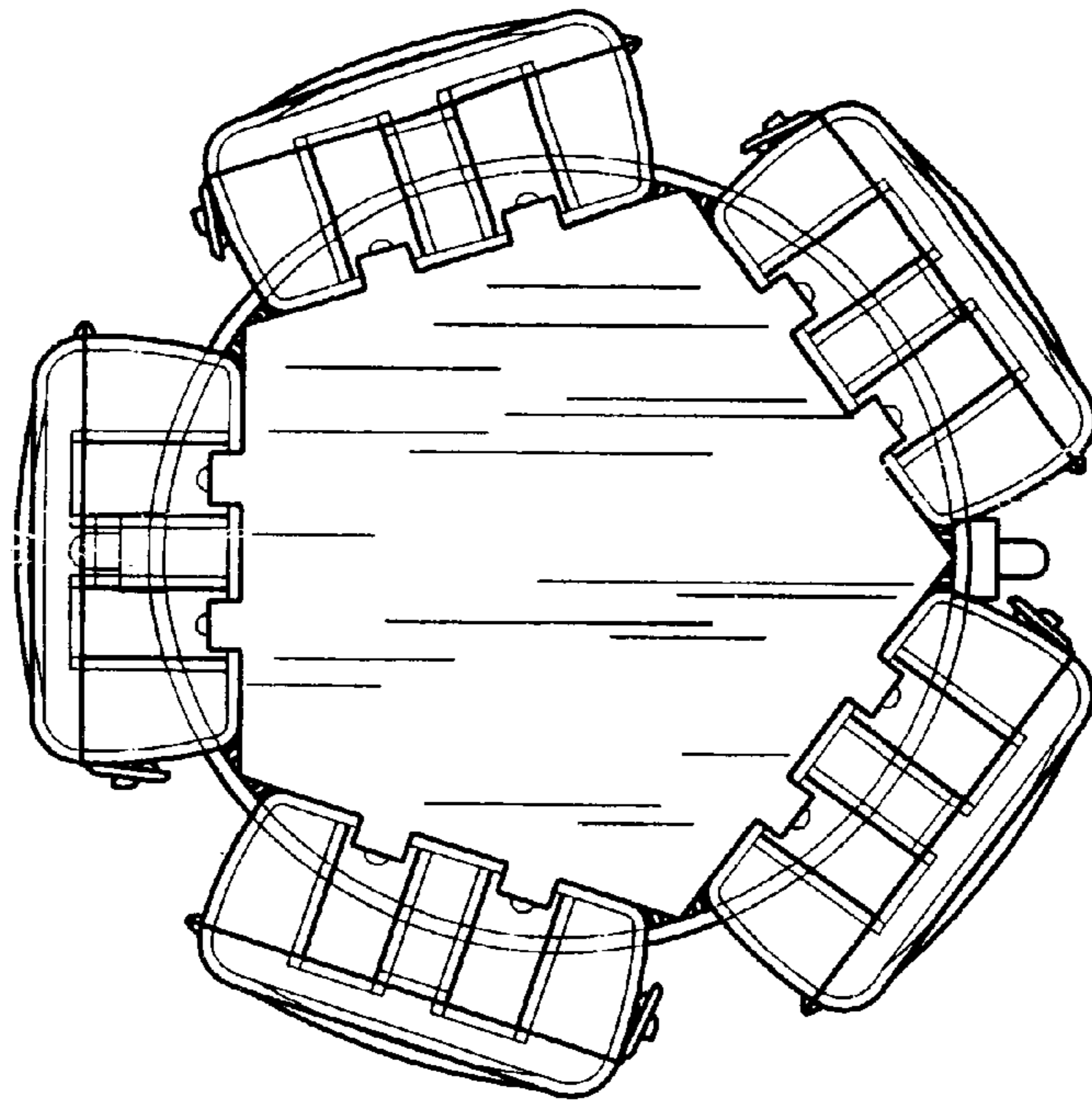


FIG. 5

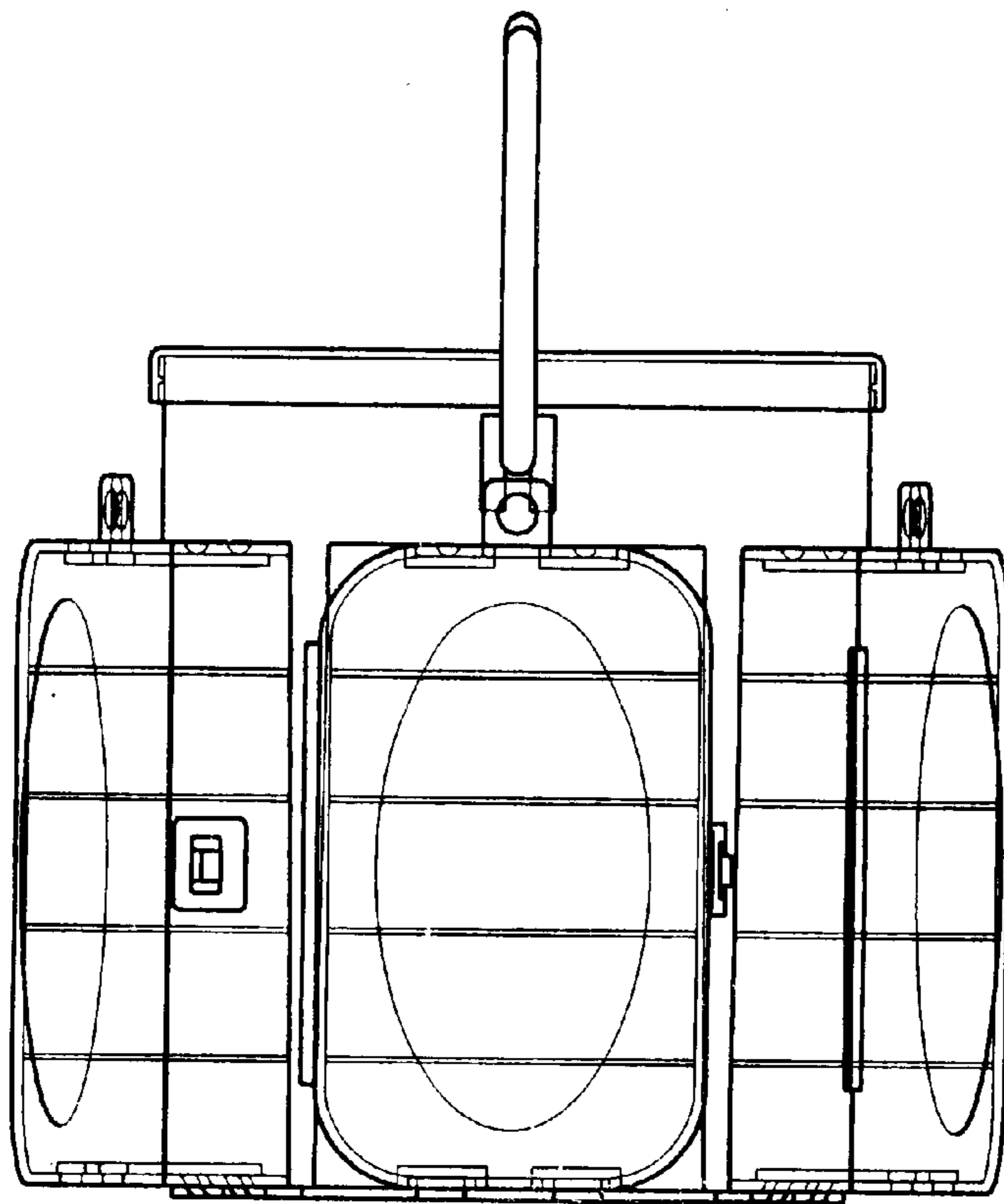


FIG. 6

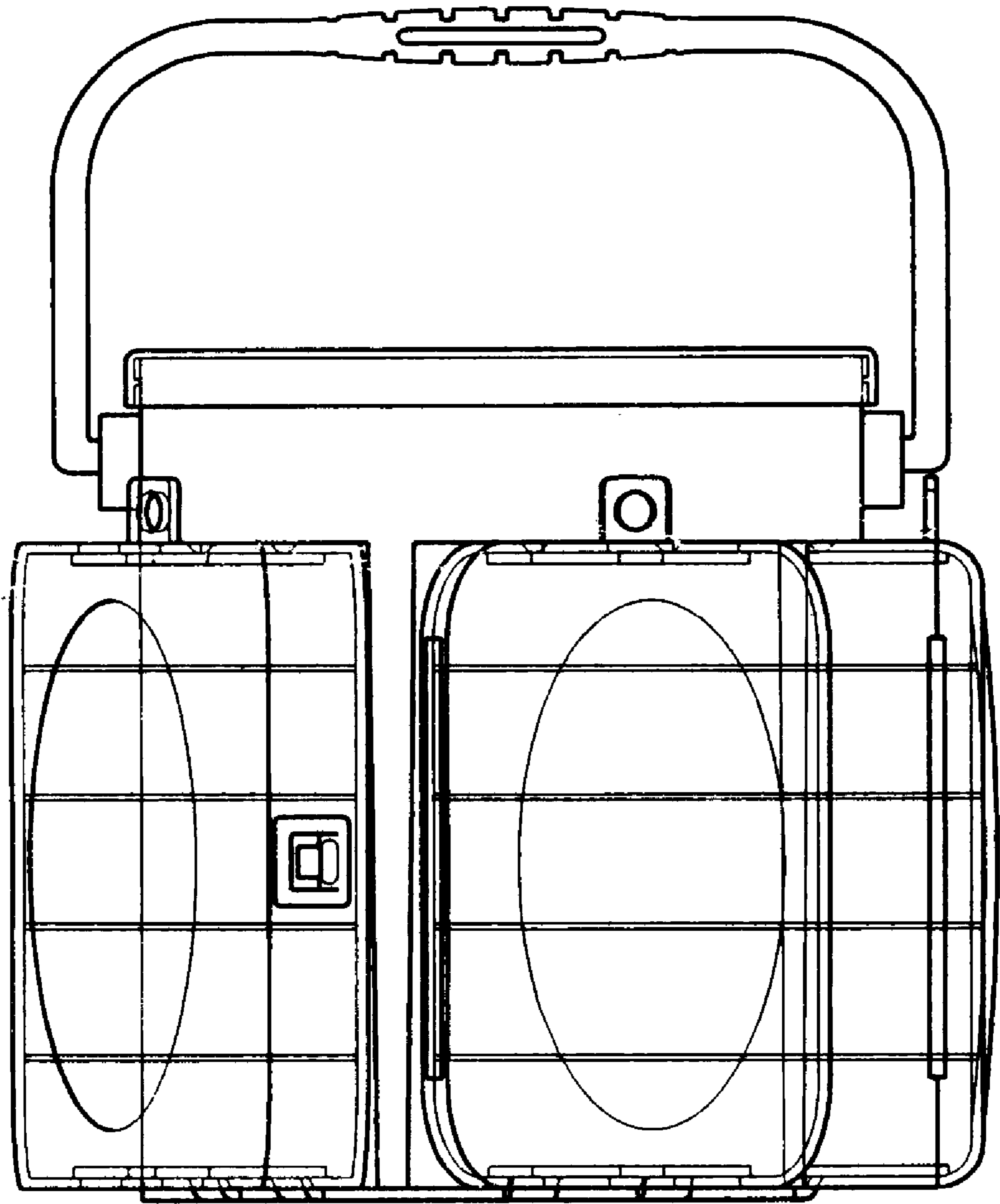


FIG. 7

UNITED STATES PATENT AND TRADEMARK OFFICE
CERTIFICATE OF CORRECTION

PATENT NO. : D426,062
DATED : June 6, 2000
INVENTOR(S) : SHUI-SHANG, Chen

It is certified that error appears in the above-identified patent and that said Letters Patent is hereby corrected as shown below:

On Page 1, the cover page, after the section entitled "Filed:", insert a section entitled "Foreign Application Priority Data" as follows:

--Foreign Application Priority Data
January 28, 1999 [Taiwan] Taiwan88300577--.

Signed and Sealed this
First Day of May, 2001



NICHOLAS P. GODICI

Attest:

Attesting Officer

Acting Director of the United States Patent and Trademark Office