



US00D426061S

# United States Patent [19]

Naegele et al.

[11] Patent Number: **Des. 426,061**

[45] Date of Patent: **\*\* Jun. 6, 2000**

[54] **WRENCH SOCKET TRAY**

5,743,395 4/1998 Backer ..... 206/372 X

[75] Inventors: **Thomas L. Naegele; Ronald J. Raffanti**, both of Glen Ellyn, Ill.

*Primary Examiner*—Louis S. Zarfes  
*Assistant Examiner*—Monica A. Weingart  
*Attorney, Agent, or Firm*—McCaleb, Lucas & Brugman

[73] Assignee: **D.S.S., Inc.**, Lombard, Ill.

### [57] CLAIM

[\*\*] Term: **14 Years**

The ornamental design for a “wrench socket tray”, as shown and described.

[21] Appl. No.: **29/101,658**

[22] Filed: **Mar. 9, 1999**

### DESCRIPTION

[51] **LOC (7) Cl.** ..... **03-01**

[52] **U.S. Cl.** ..... **D3/313; D3/304; D3/905**

[58] **Field of Search** ..... **D3/304, 313, 905; 206/372, 373, 378; D6/567**

FIG. 1 is a right hand end perspective view of the wrench socket tray according to the present design of this invention showing optional support legs in phantom; FIG. 2 is a top plan view thereof; FIG. 3 is a front elevational view thereof; the rear elevational view being the reverse thereof; FIG. 4 is a right hand end elevational view thereof; FIG. 5 is a left hand end elevational view thereof; and, FIG. 6 is a bottom plan view thereof.

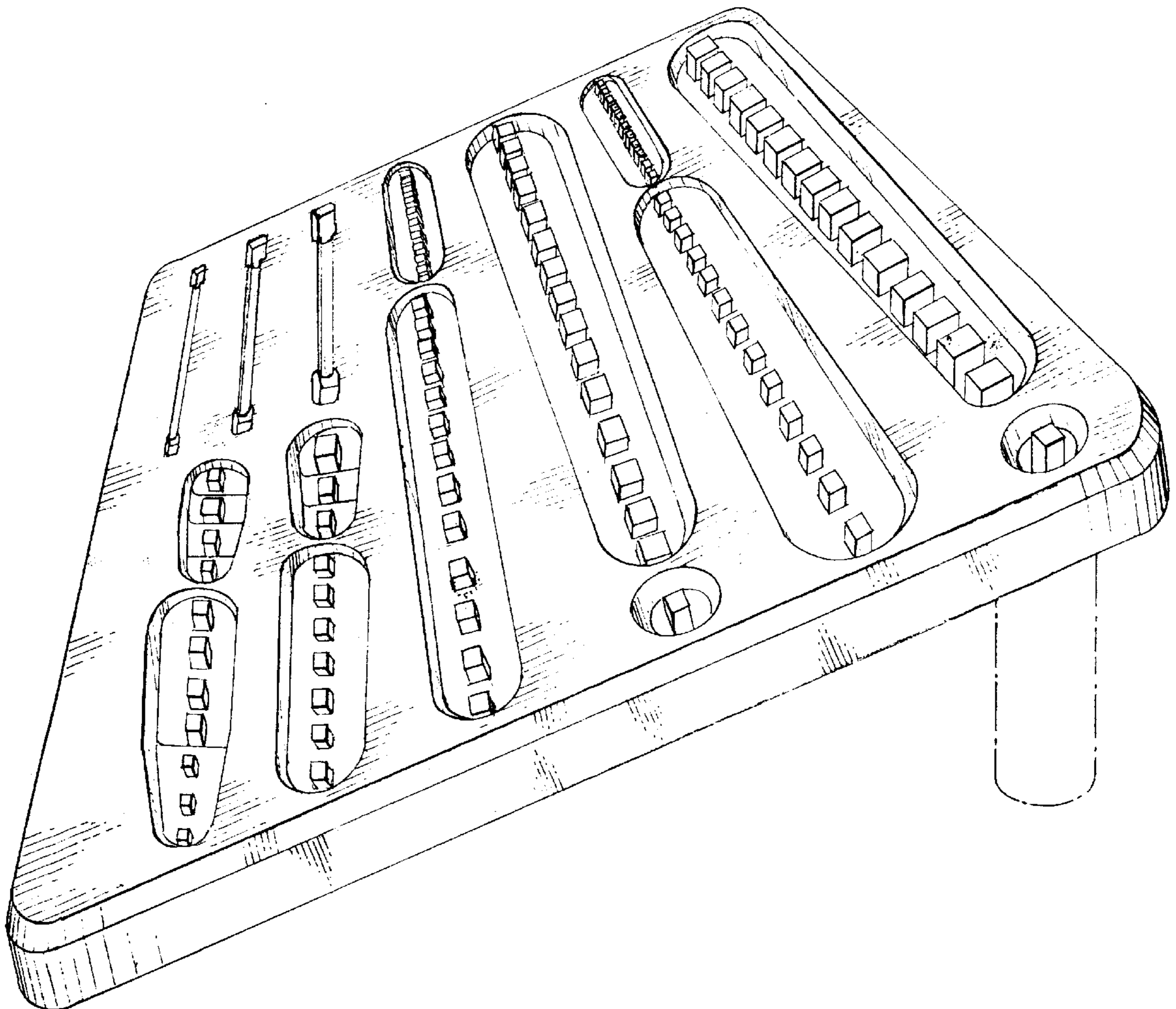
### [56] References Cited

#### U.S. PATENT DOCUMENTS

D. 319,348	8/1991	Monteleon	.....	D3/313
D. 355,554	2/1995	Phelps	.....	D6/567
4,927,020	5/1990	Randy	.....	206/378
5,050,733	9/1991	Brennan	.....	206/373
5,328,029	7/1994	Chow	.....	206/378
5,407,063	4/1995	Warner et al.	.....	206/378

The broken line showing of support legs in FIGS. 1, 3, and 4, is for illustrative purposes only and forms no part of the claimed design.

**1 Claim, 3 Drawing Sheets**



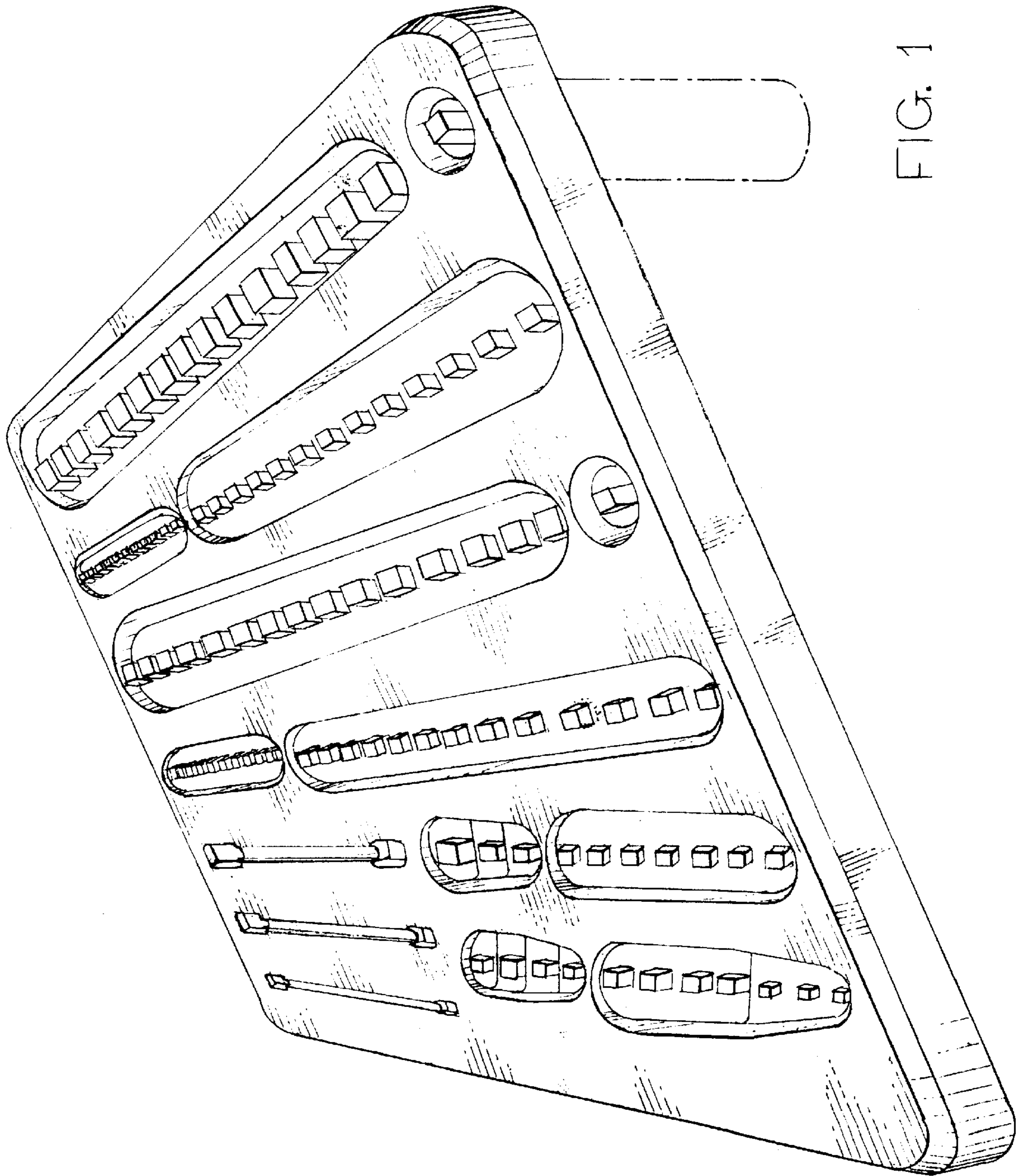


FIG. 1

FIG. 3

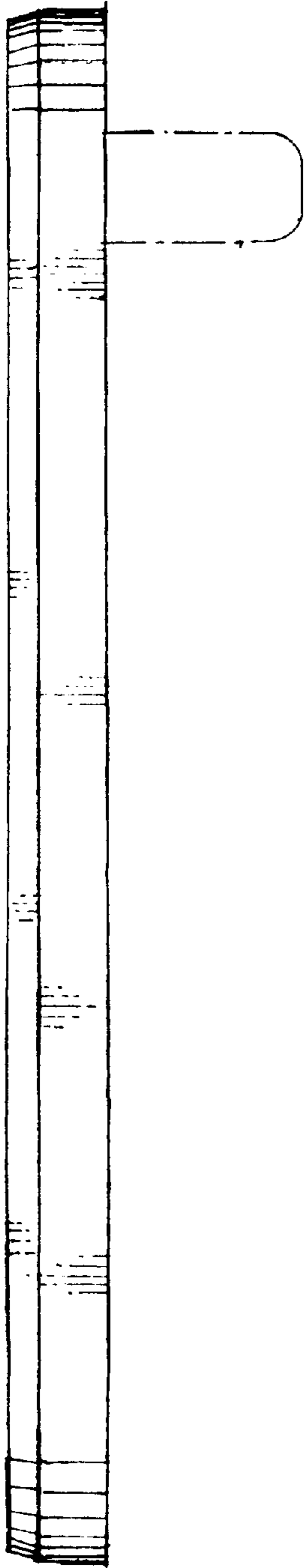
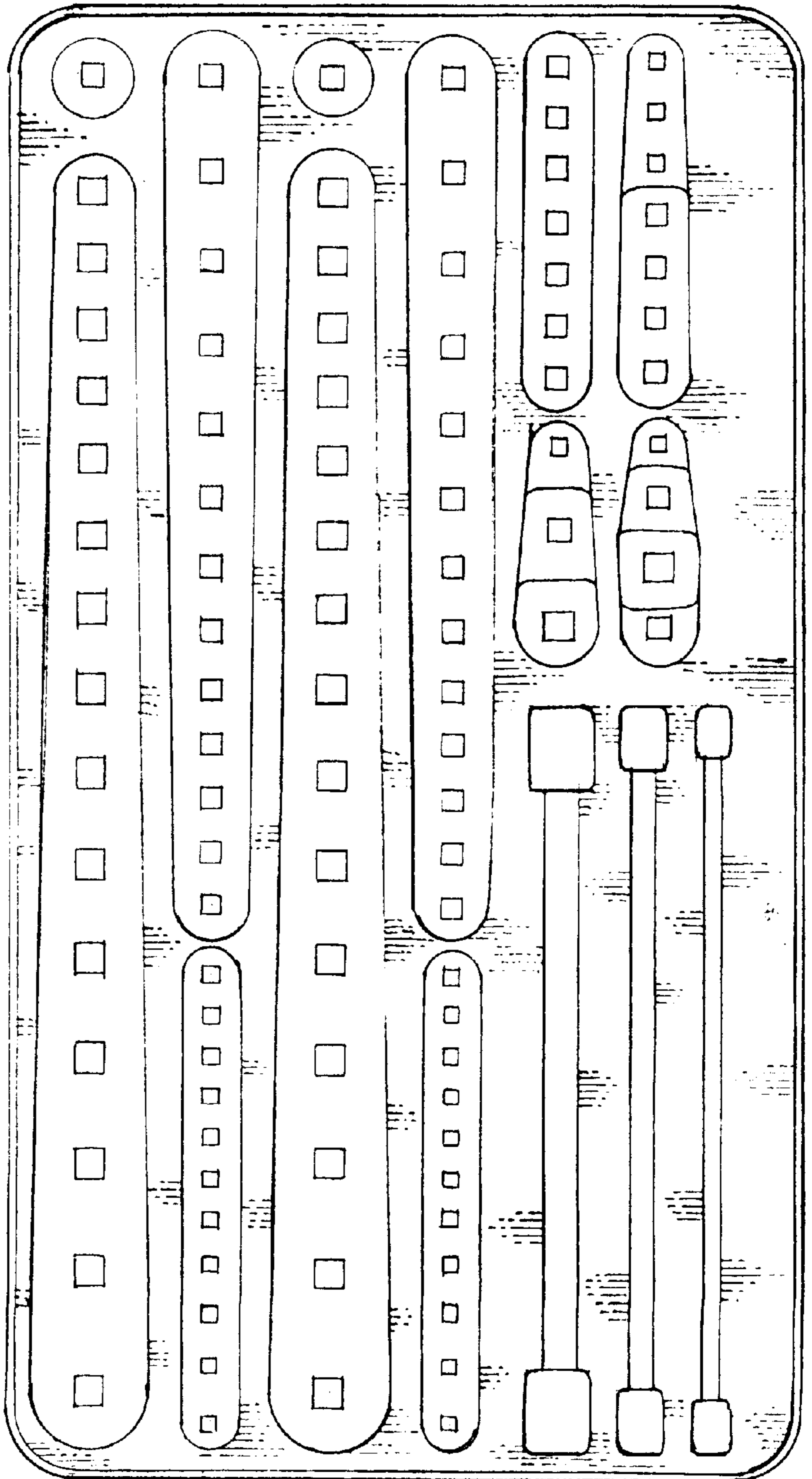


FIG. 2



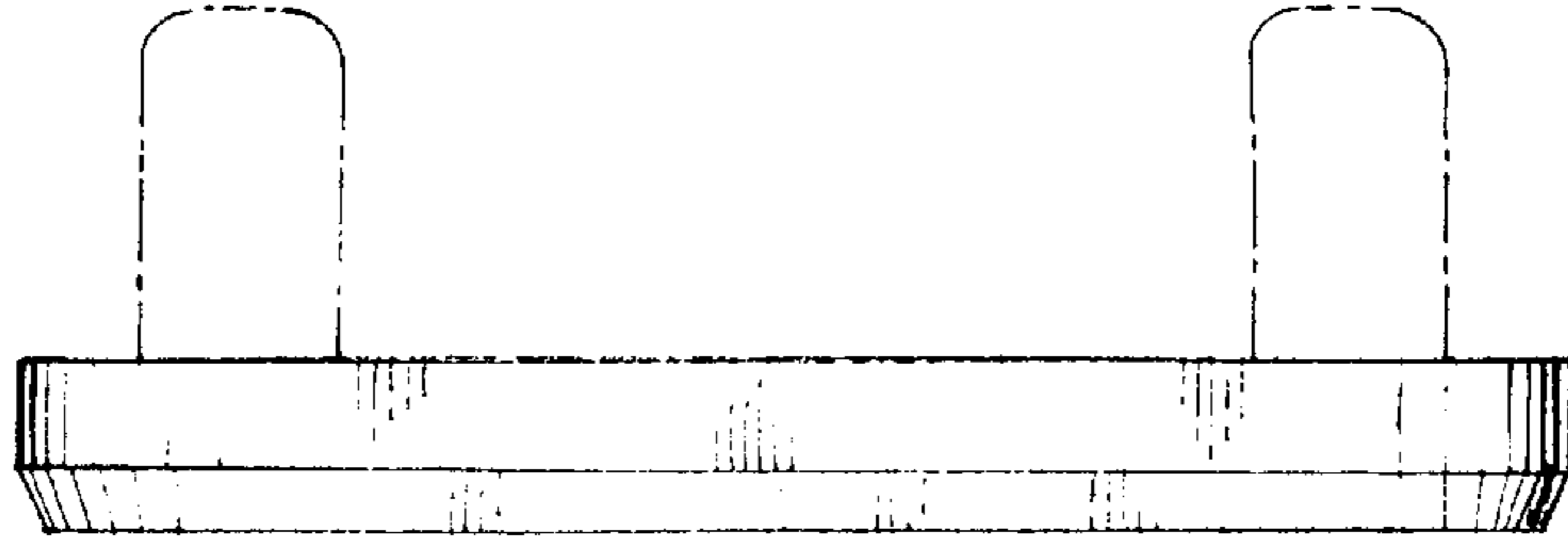


FIG. 4

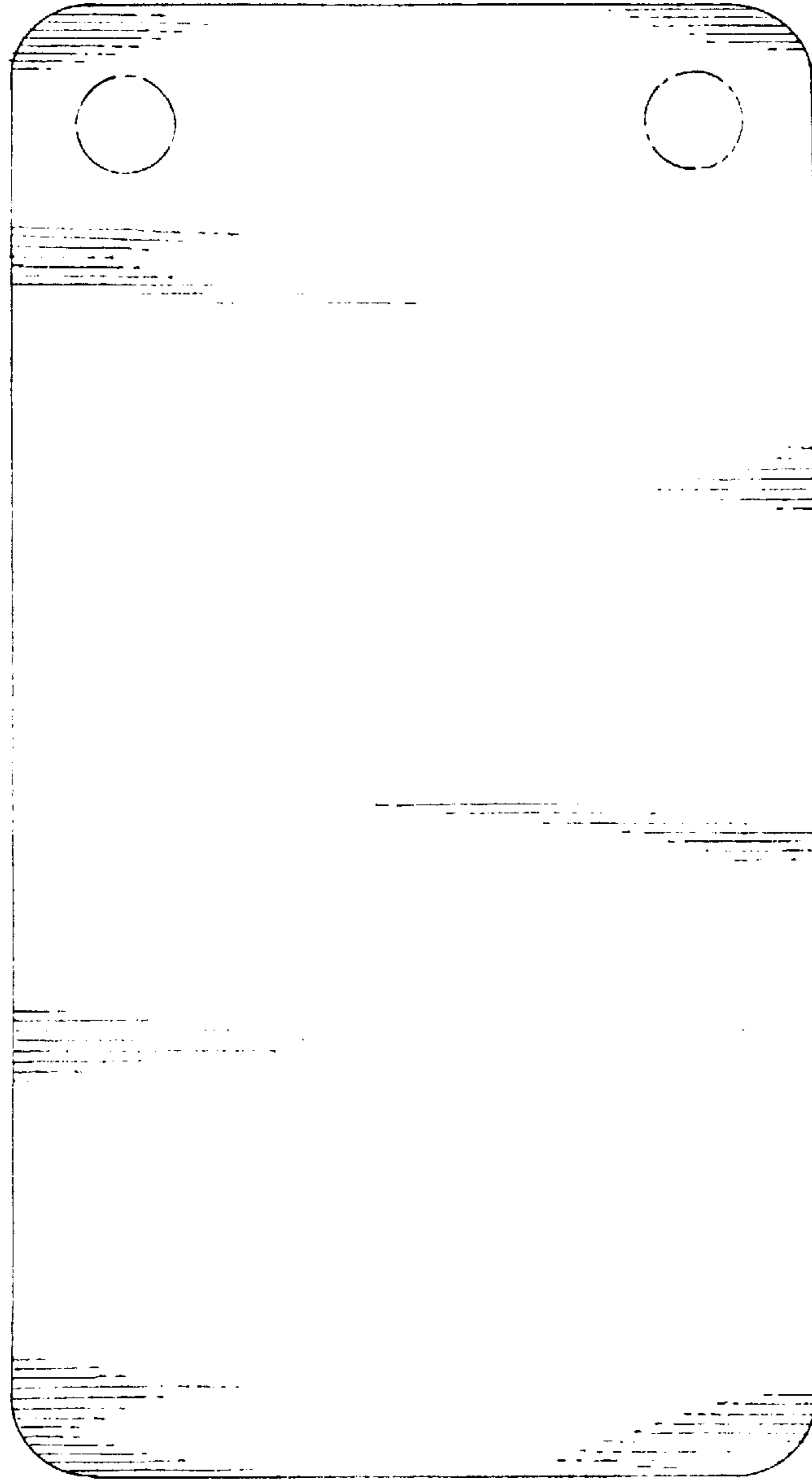


FIG. 6

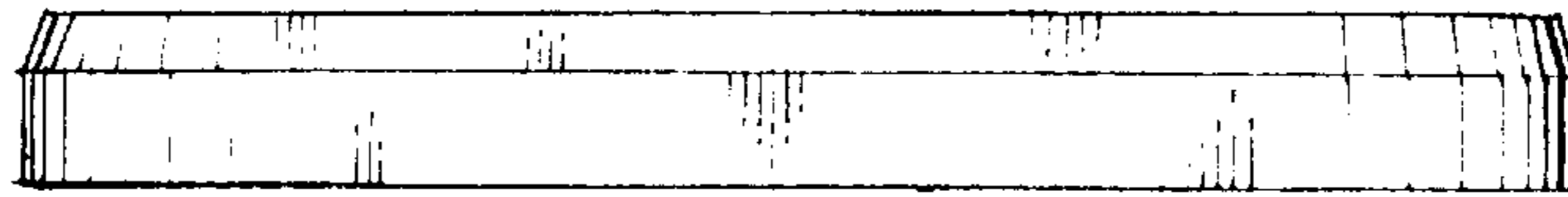


FIG. 5