



US00D426058S

United States Patent [19]

Gaines et al.

[11] **Patent Number: Des. 426,058**

[45] **Date of Patent: ** Jun. 6, 2000**

[54] **CARRYING APPARATUS AND FLASHER COMBINATION**

[76] Inventors: **Gary S. Gaines**, 44 E. 57th St., Apt. 5D, New York, N.Y. 10022; **Kevin Wu**, 2F No. 9, Wu-Chiuan One Rd., Hsin Chuang City, Taiwan

[**] Term: **14 Years**

[21] Appl. No.: **29/097,546**

[22] Filed: **Nov. 20, 1998**

[51] **LOC (7) Cl. 03-01**

[52] **U.S. Cl. D3/226; D3/215**

[58] **Field of Search D3/215, 226, 218, D3/217, 301, 289; D2/627, 628; 362/103, 108, 156; 224/101, 578**

[56] **References Cited**

U.S. PATENT DOCUMENTS

D. 229,990	1/1974	Perl	D2/628
D. 350,025	8/1994	Rolle	D3/226
D. 371,905	7/1996	Kopel	D3/226
D. 374,983	10/1996	Brucki	D3/226
D. 375,612	11/1996	Elder	D2/628
D. 380,086	6/1997	Brassard	D3/215

Primary Examiner—Philip S. Hyder
Attorney, Agent, or Firm—Amster, Rothstein & Ebenstein

[57] **CLAIM**

The ornamental design for a carrying apparatus and flasher combination, as shown and described.

DESCRIPTION

FIG. 1 is a front elevational view of a carrying apparatus and flasher combination showing our new design;

FIG. 2 is a left side elevation view thereof, the right side elevation view being the mirror image thereof without the zipper pulls;

FIG. 3 is a top plan view thereof;

FIG. 4 is a bottom plan view thereof;

FIG. 5 is a rear elevation view thereof;

FIG. 6 is an enlarged fragmentary front elevational view of the flasher portion of the design;

FIG. 7 is an enlarged fragmentary right side elevation view of the flasher apparatus; and,

FIG. 8 is an enlarged fragmentary top plan view of the flasher apparatus.

The broken line showings of the straps are for illustrative purposes only and form no part of the claimed design.

1 Claim, 6 Drawing Sheets

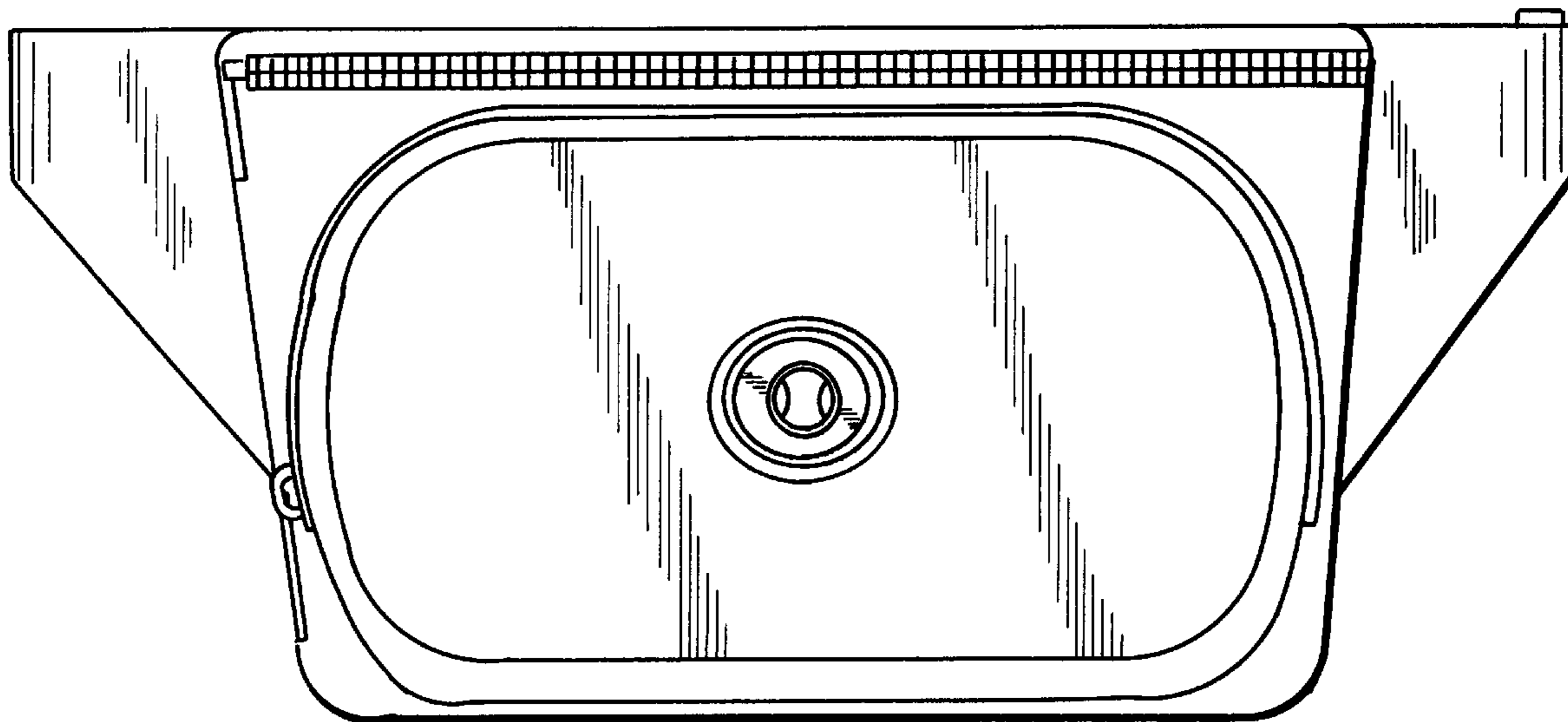


FIG. 1

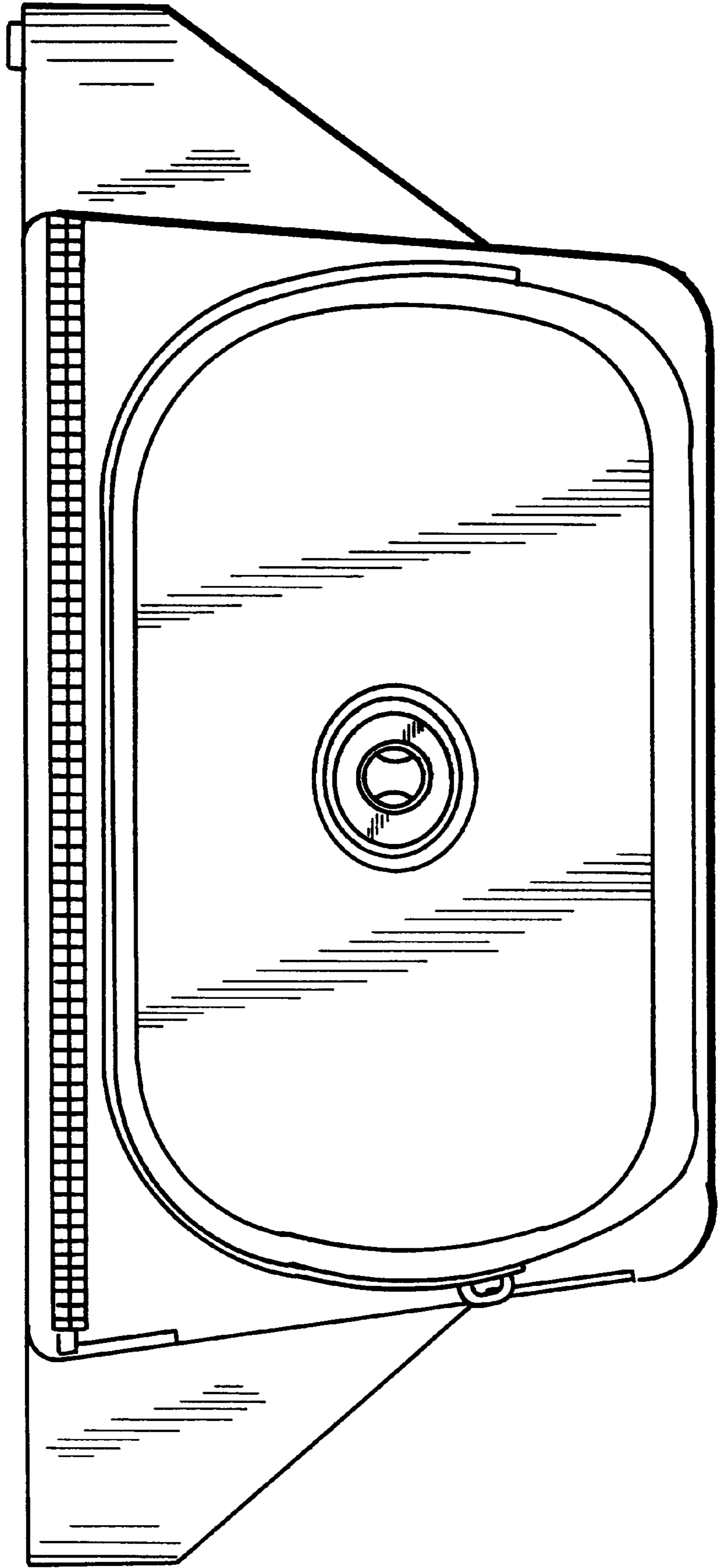


FIG. 2

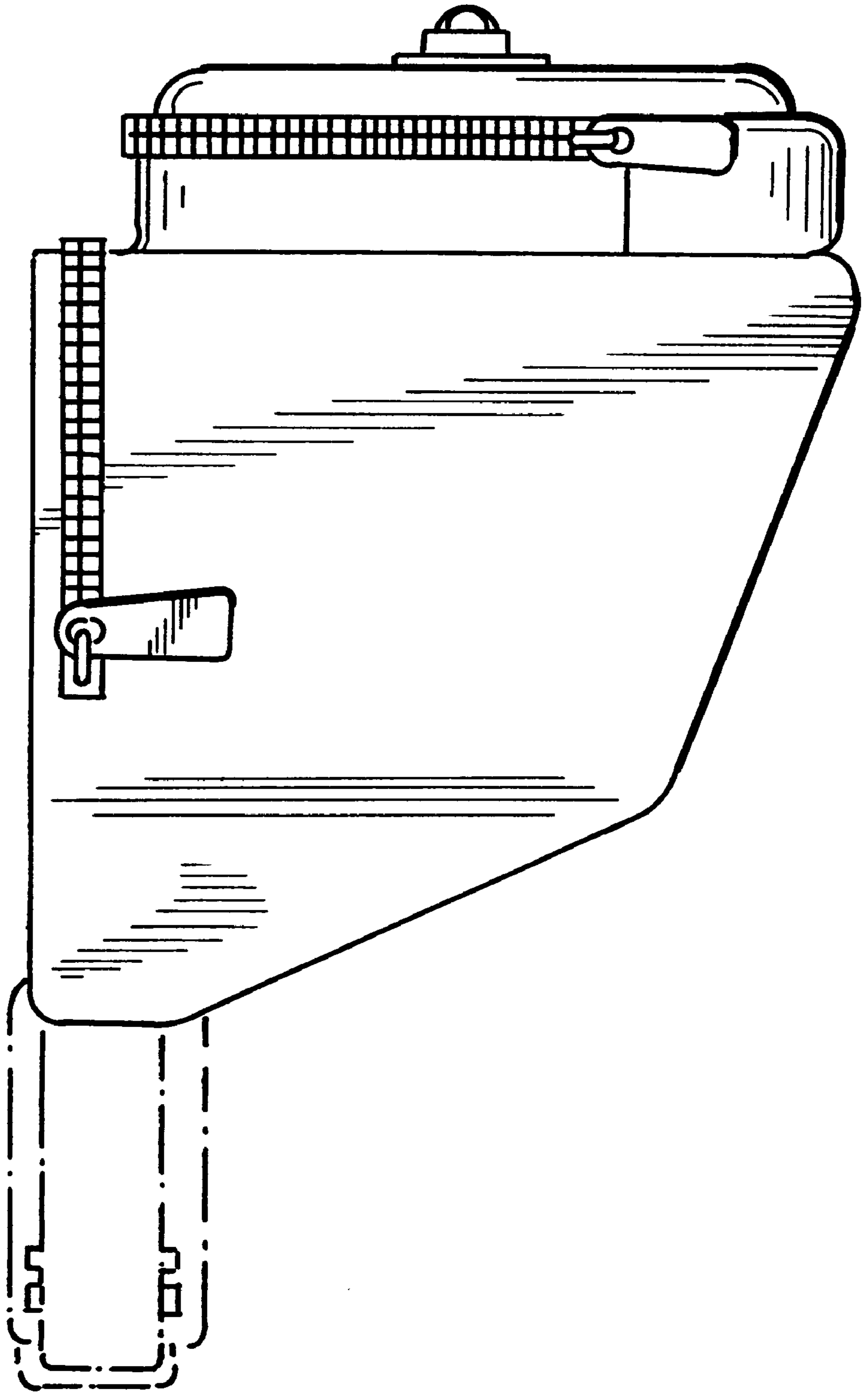


FIG. 3

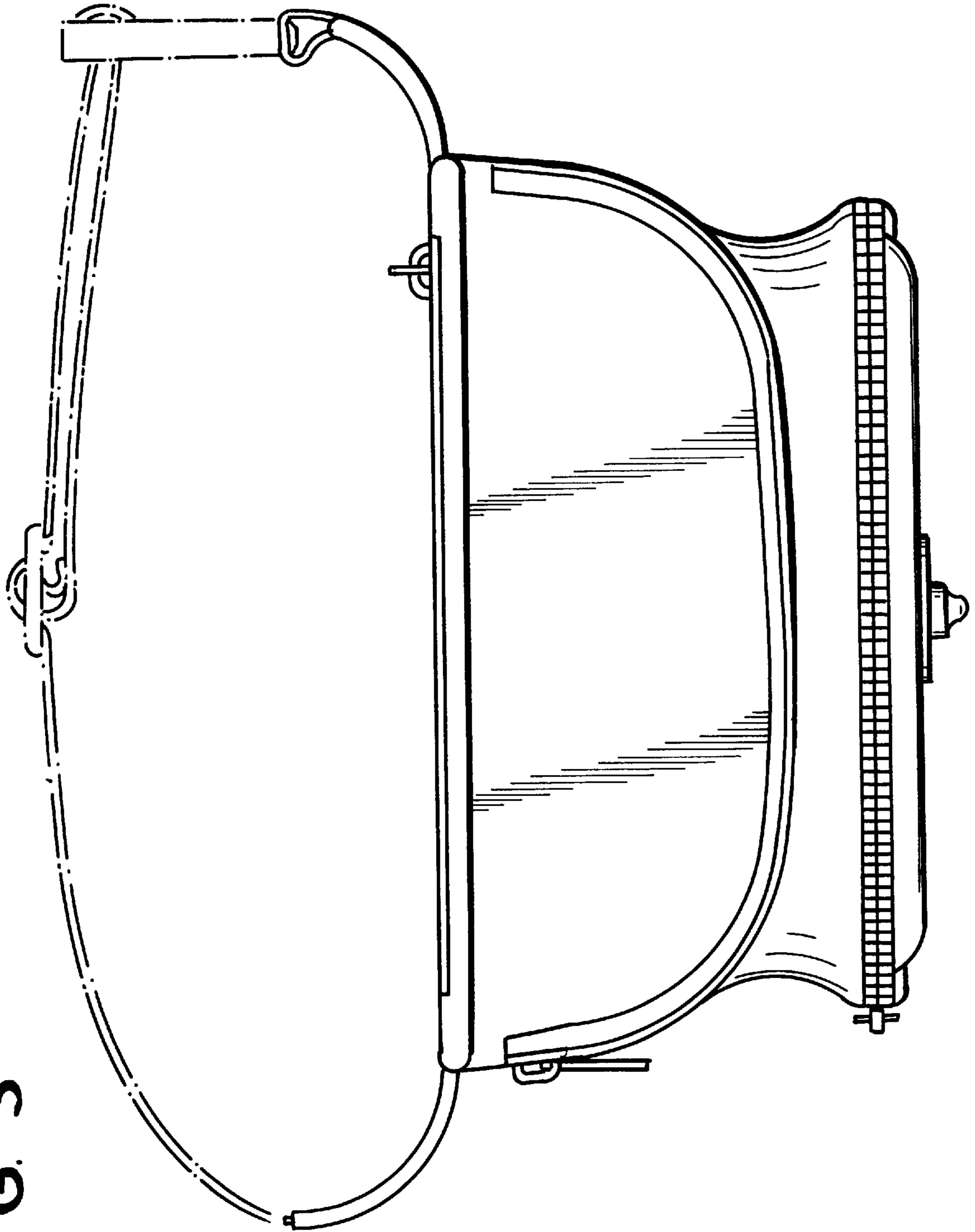


FIG. 4

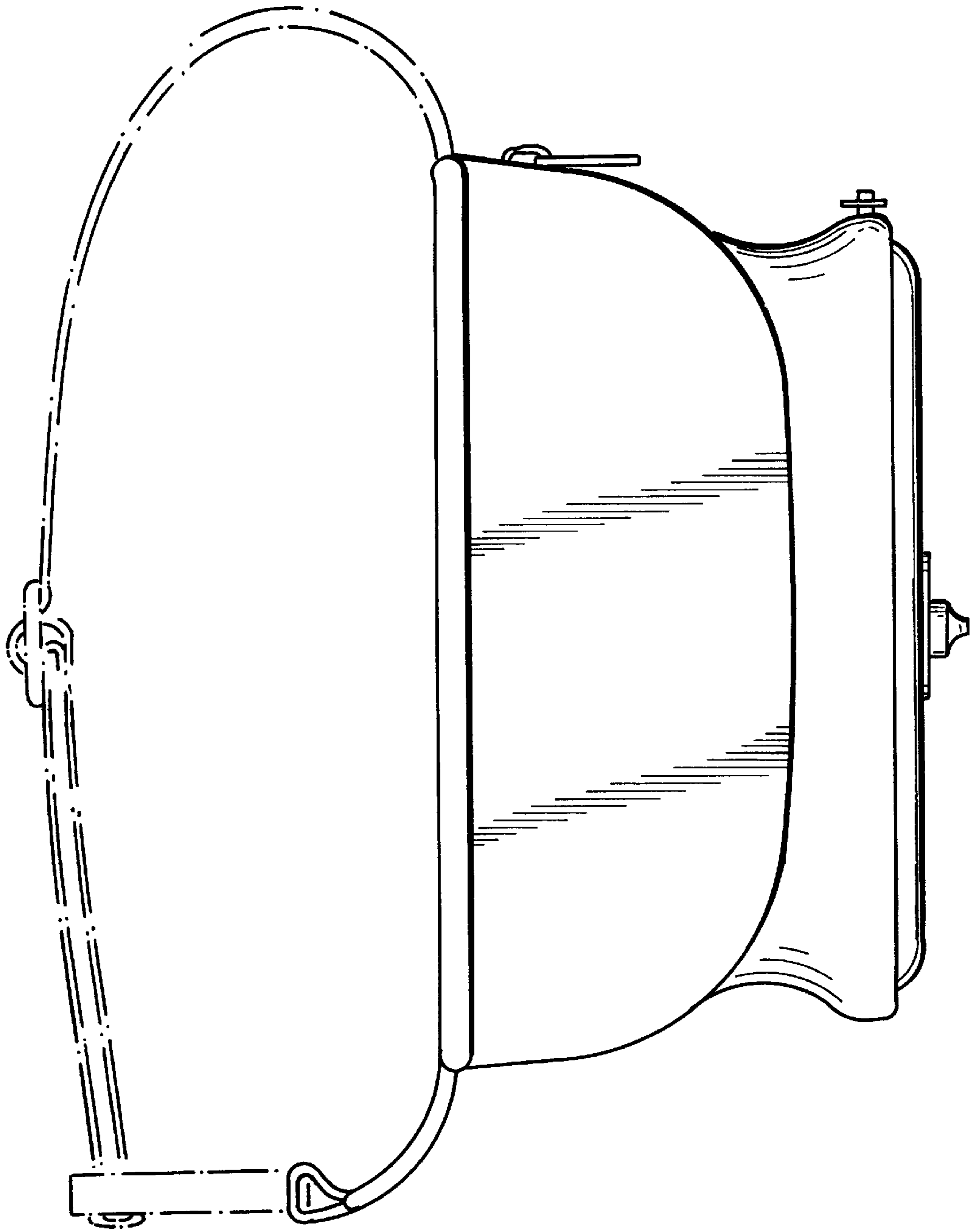


FIG. 5

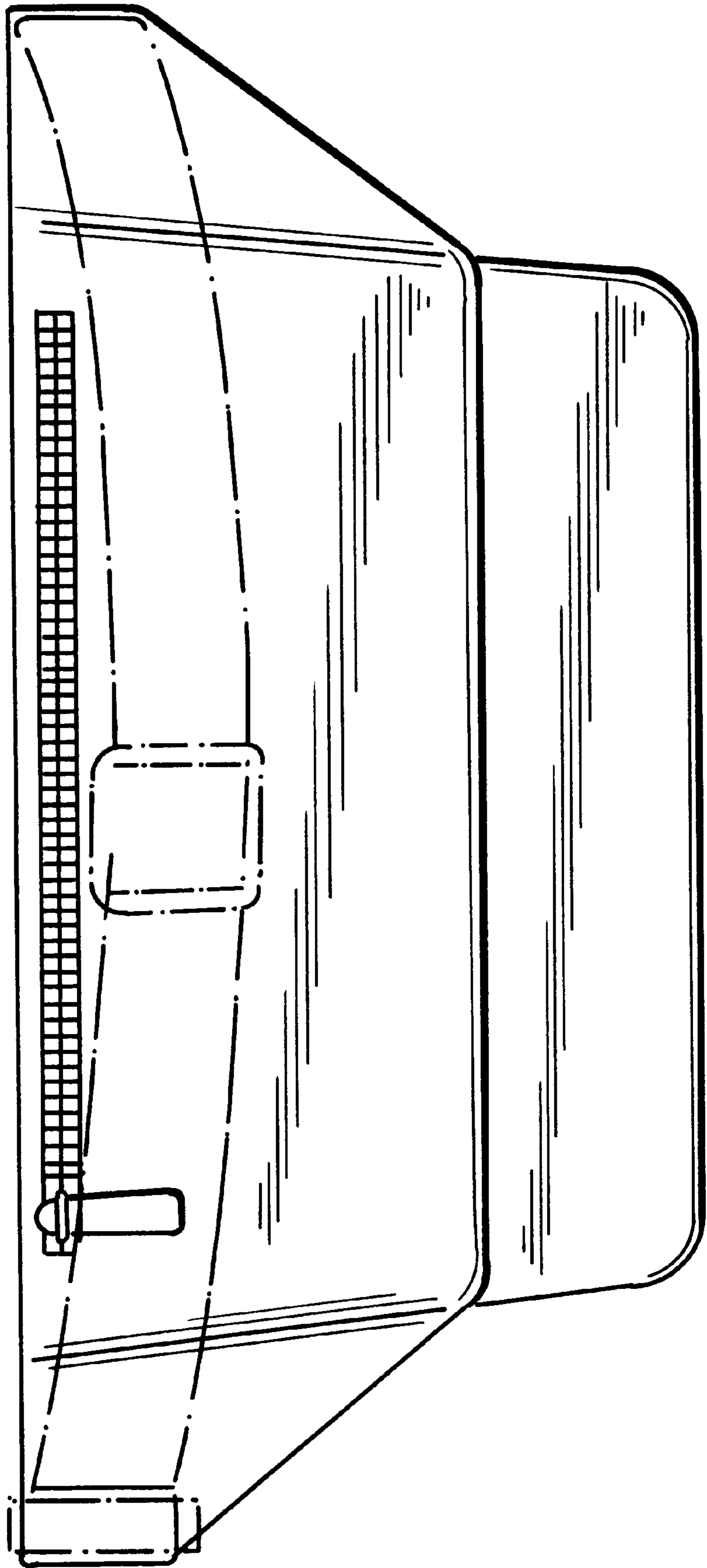


FIG. 6

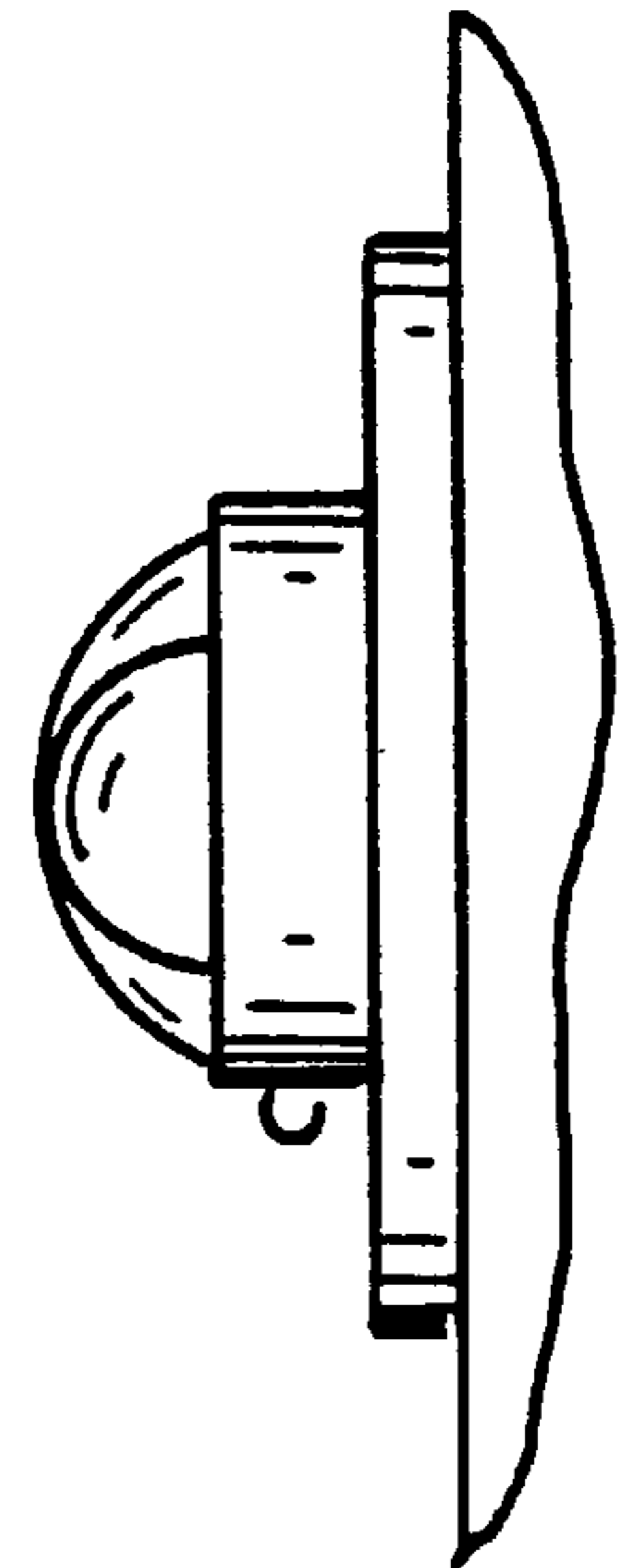
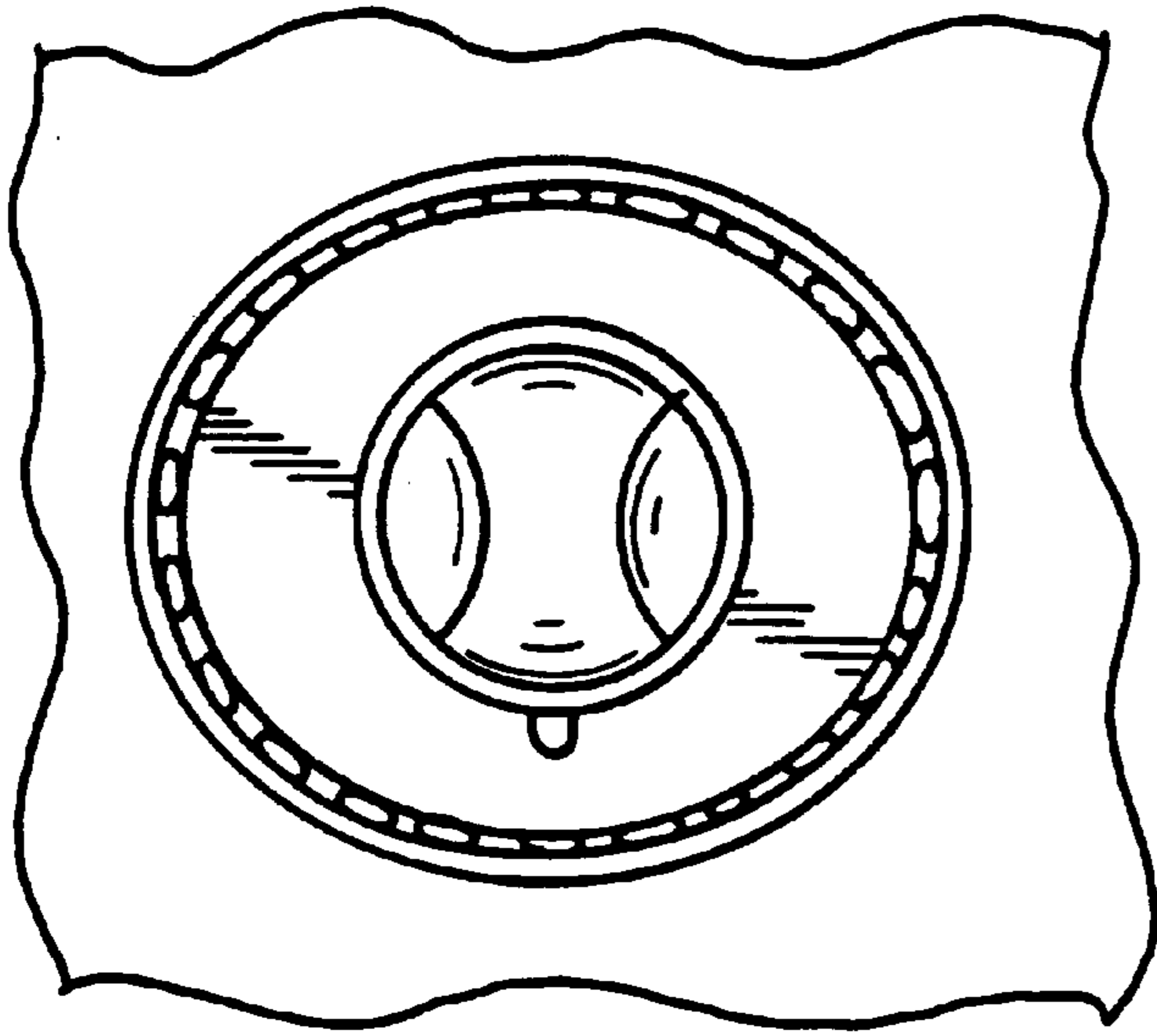


FIG. 7

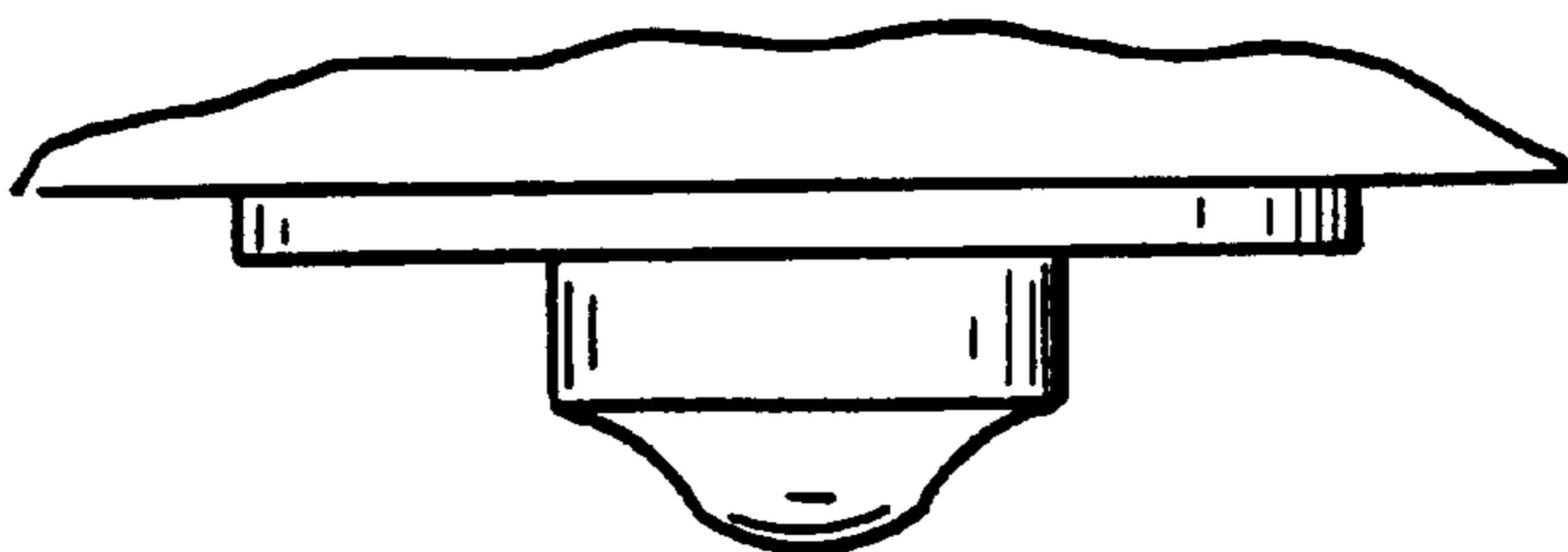


FIG. 8