



US00D426053S

United States Patent [19] Santa

[11] **Patent Number: Des. 426,053**
[45] **Date of Patent: ** Jun. 6, 2000**

[54] **FOOTWEAR SOLE**

[76] Inventor: **Pedro Ortuño Santa**, Ctra. de Jumilla
km 63, 30510 Yecla (Murcia), Spain

[**] Term: **14 Years**

[21] Appl. No.: **29/108,495**

[22] Filed: **Jul. 28, 1999**

[51] **LOC (7) Cl. 02-04**

[52] **U.S. Cl. D2/954; D2/951; D2/955;
D2/957; D2/959**

[58] **Field of Search** D2/760, 902, 904,
D2/908, 911, 914, 916, 920, 947, 949,
951, 952, 953-961, 964; 36/102, 129, 134,
149, 25 A, 28, 29, 32 R, 43, 59 C, 59 R,
72 C

[56] **References Cited**

U.S. PATENT DOCUMENTS

D. 241,586	9/1976	Sebestik	D2/954
D. 265,019	6/1982	Vernonet	D2/953
D. 306,517	3/1990	Whatley	D2/954
D. 316,627	5/1991	Schneider	D2/959

D. 394,142	5/1998	Merceron	D2/960
D. 394,342	5/1998	Schneider	D2/959
D. 401,744	12/1998	Greenberg	D2/955
D. 402,798	12/1998	Norton et al.	D2/954
D. 405,595	2/1999	Kayano	D2/956
D. 415,609	10/1999	Hlavacs	D2/959

Primary Examiner—Celia Murphy
Attorney, Agent, or Firm—Darby & Darby

[57] **CLAIM**

The ornamental design for a footwear sole, as shown and described.

DESCRIPTION

FIG. 1 is a top perspective view of the footwear sole of the present invention;
FIG. 2 is a bottom perspective view thereof;
FIG. 3 is a left side elevational view thereof;
FIG. 4 is a bottom plan view thereof;
FIG. 5 is a right side elevational view thereof;
FIG. 6 is a top plan view thereof;
FIG. 7 is a rear elevational view thereof; and,
FIG. 8 is a front elevational view thereof.

1 Claim, 4 Drawing Sheets

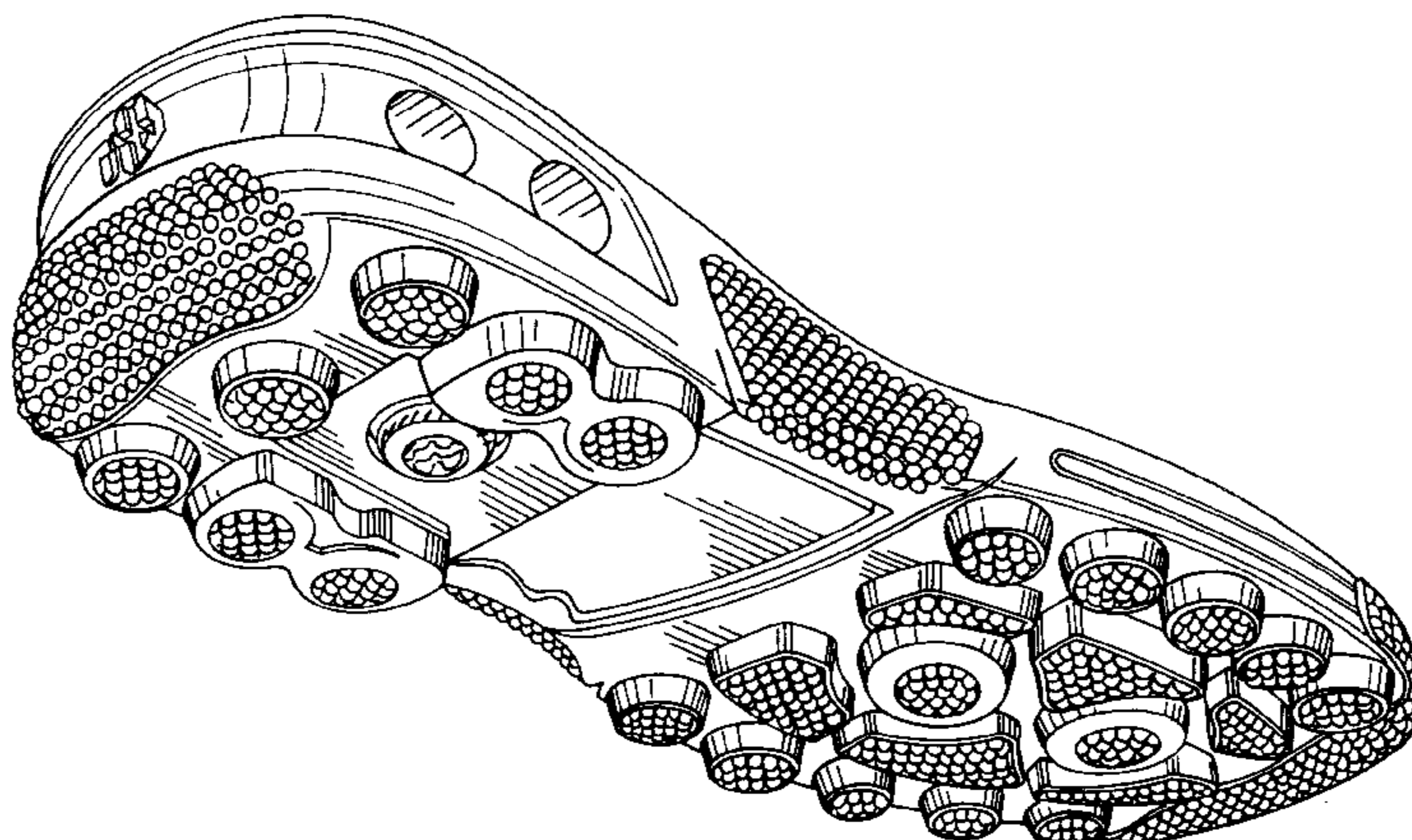
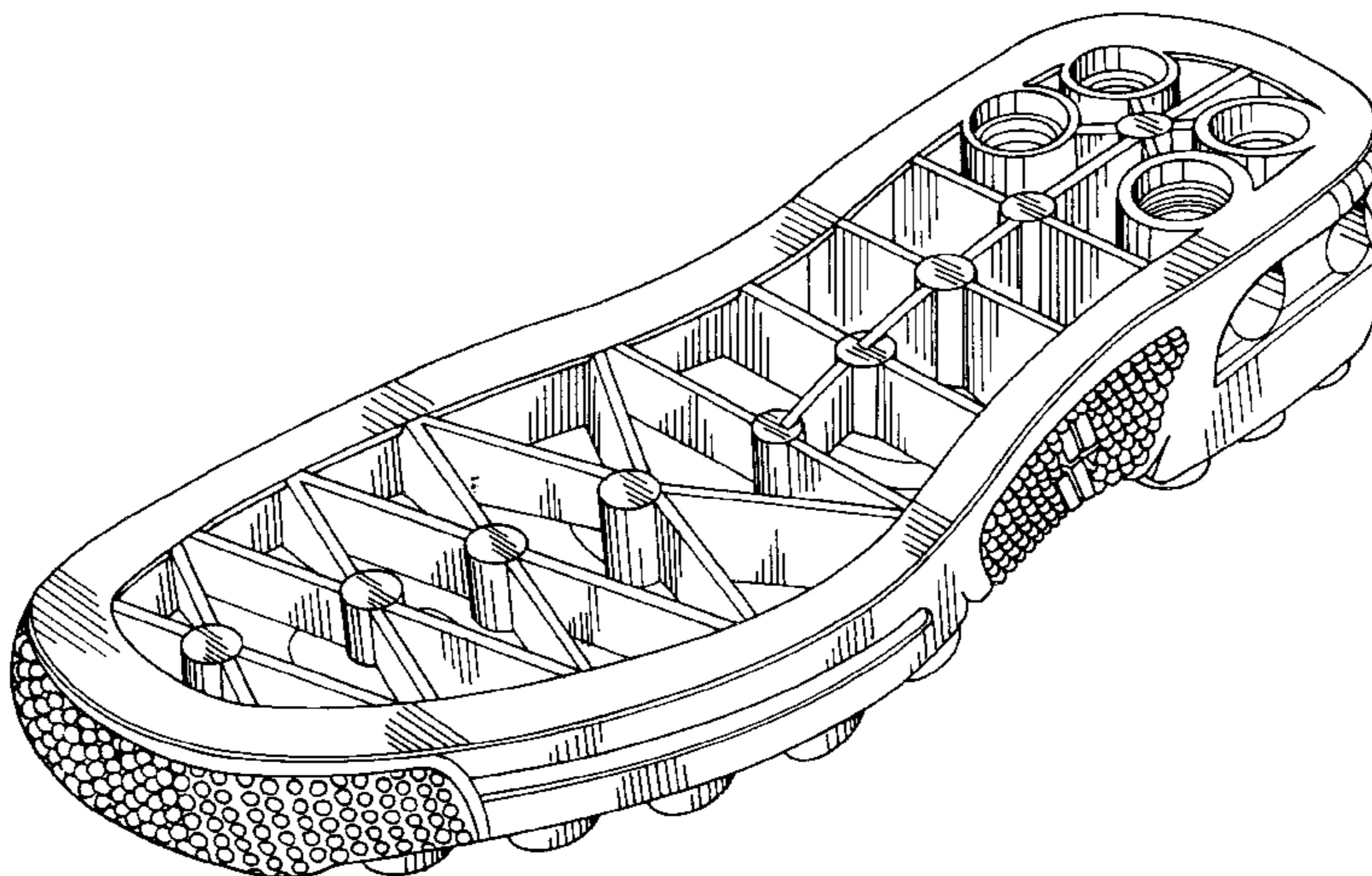


FIG.1

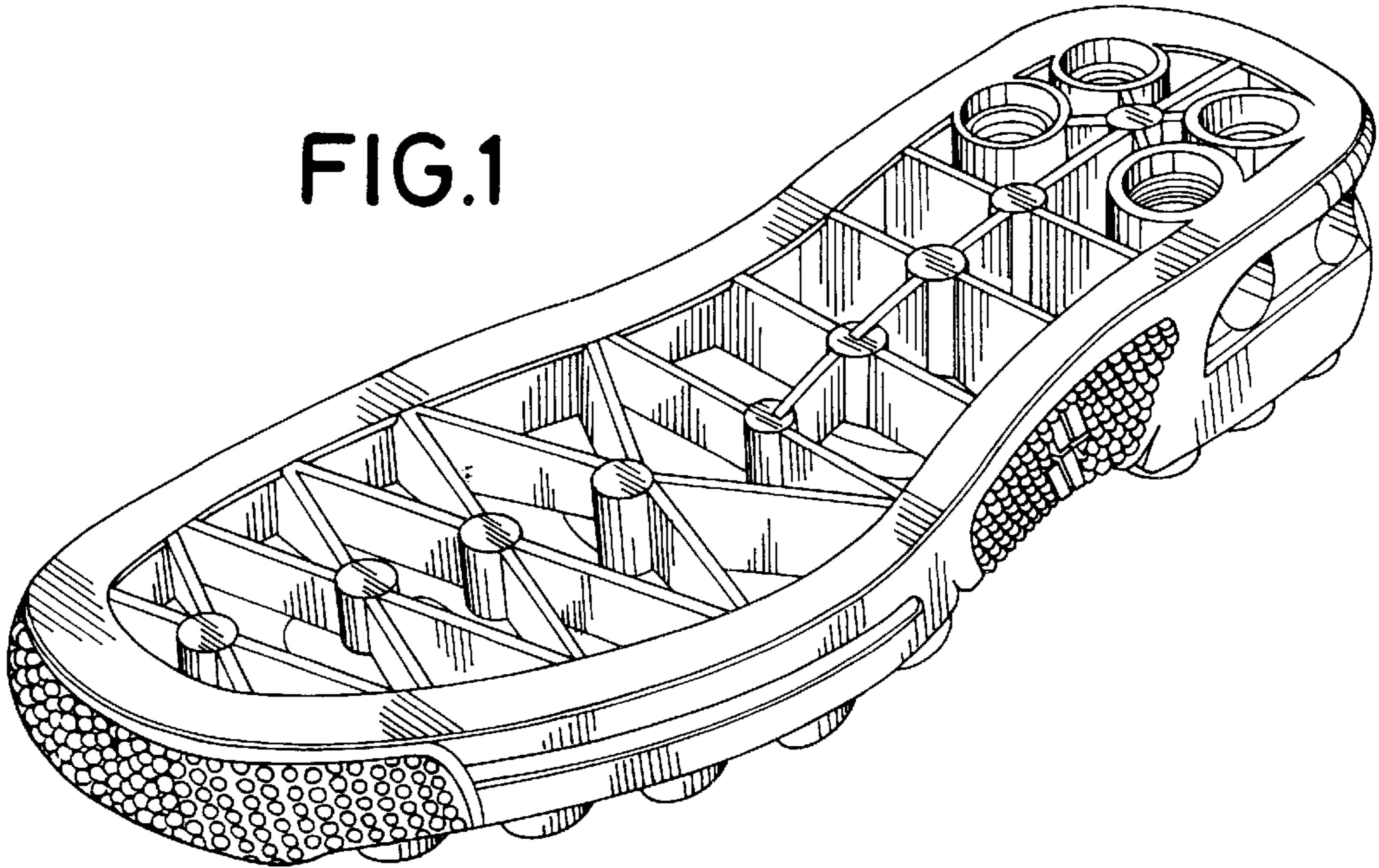
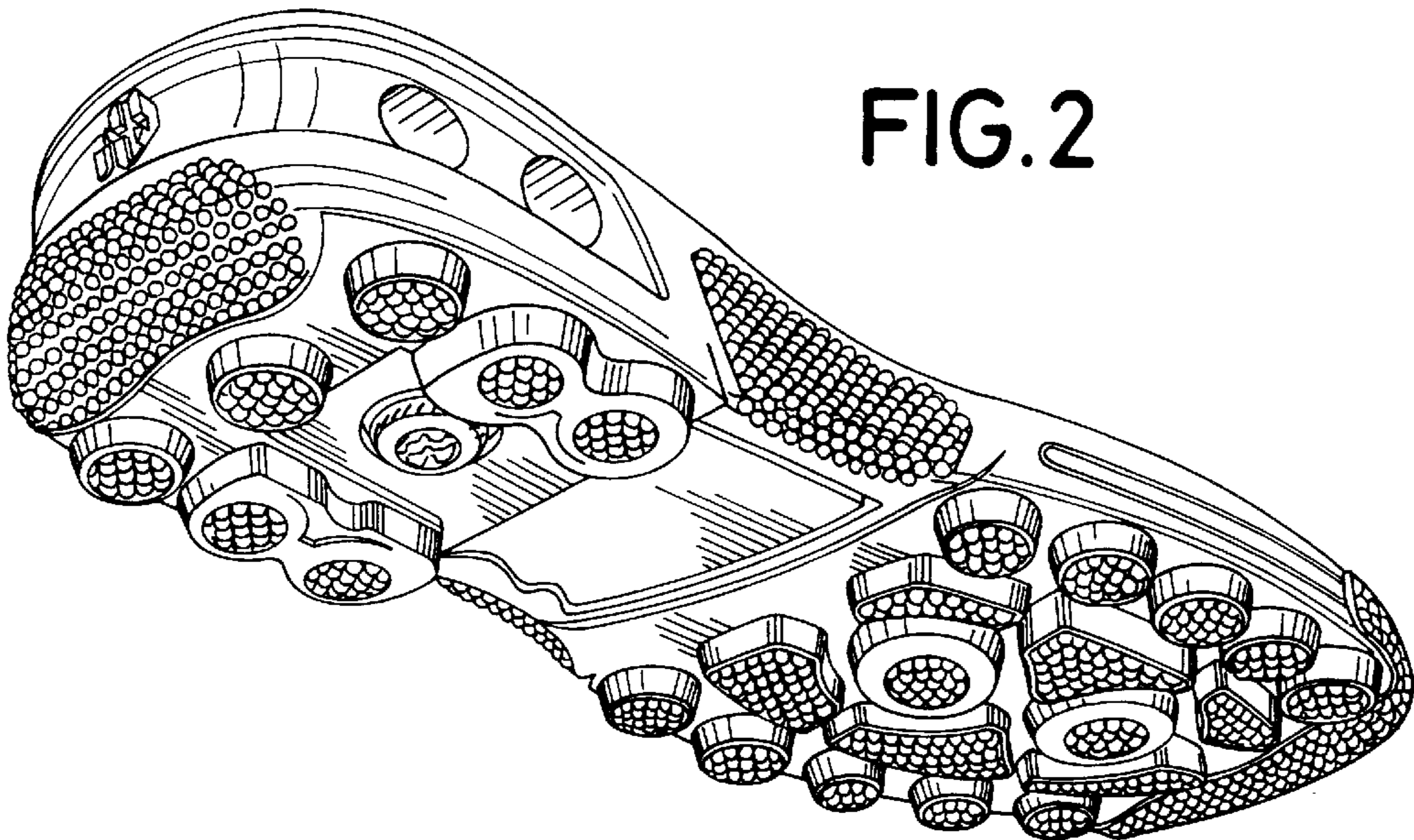


FIG.2



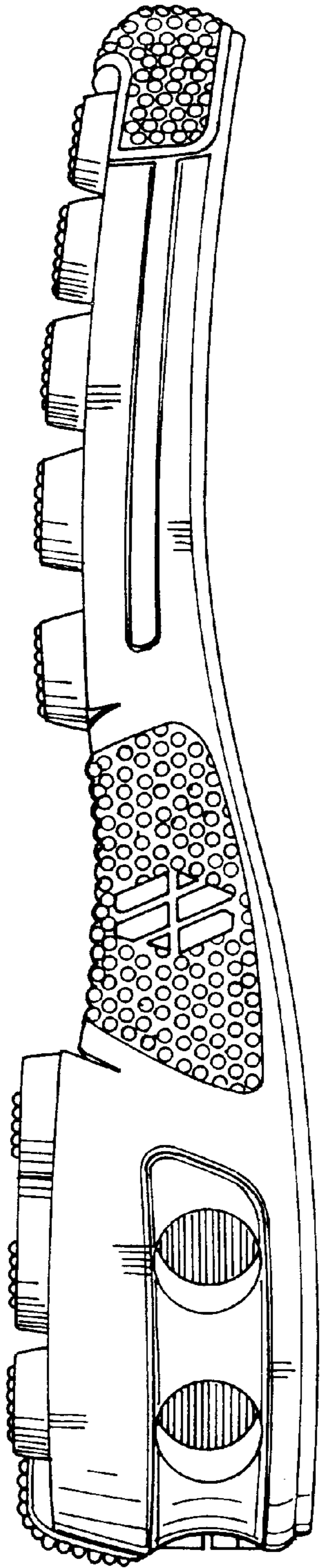


FIG. 3

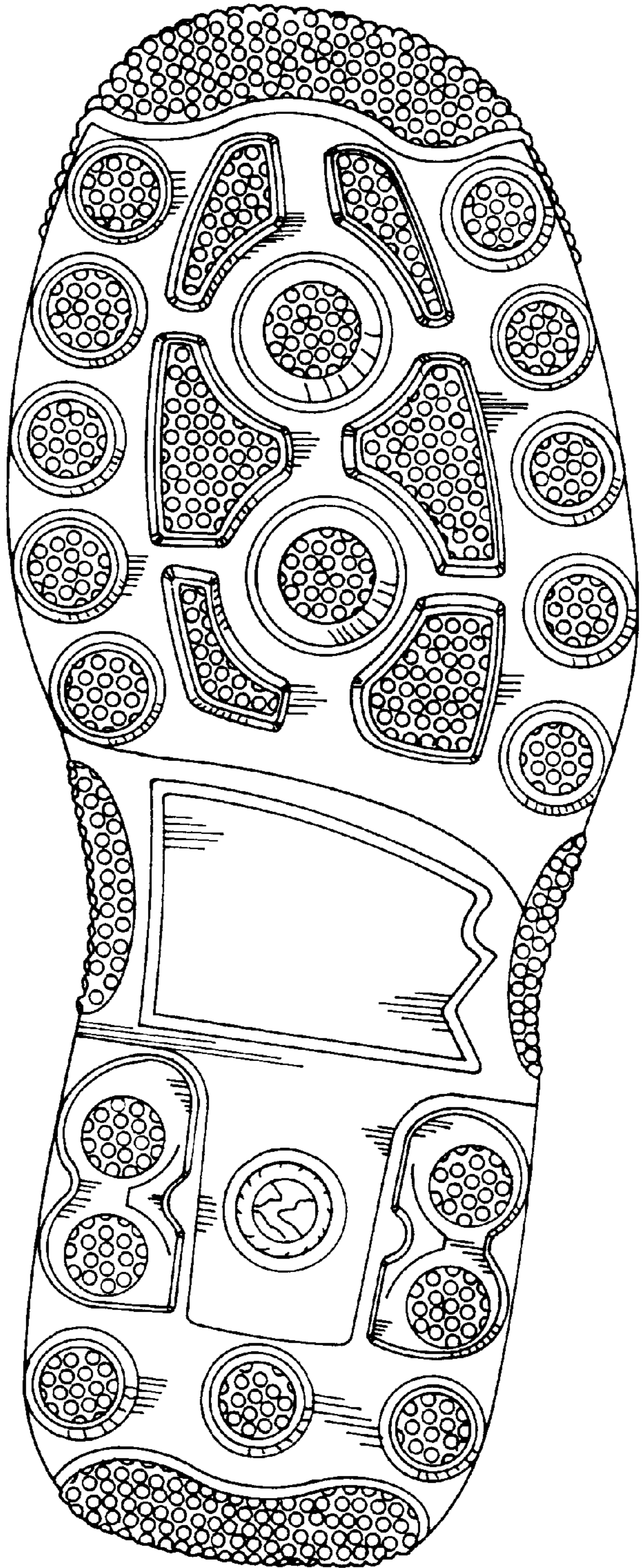


FIG. 4

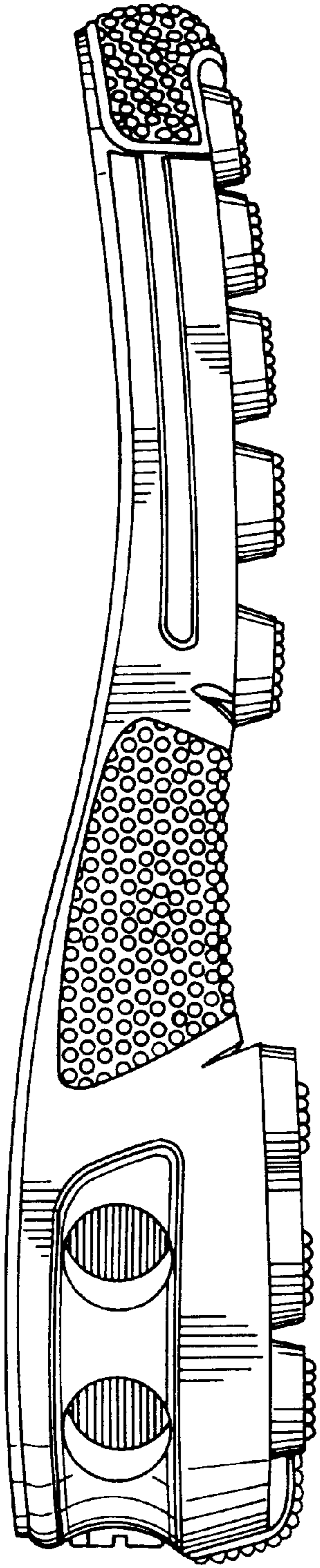


FIG. 5

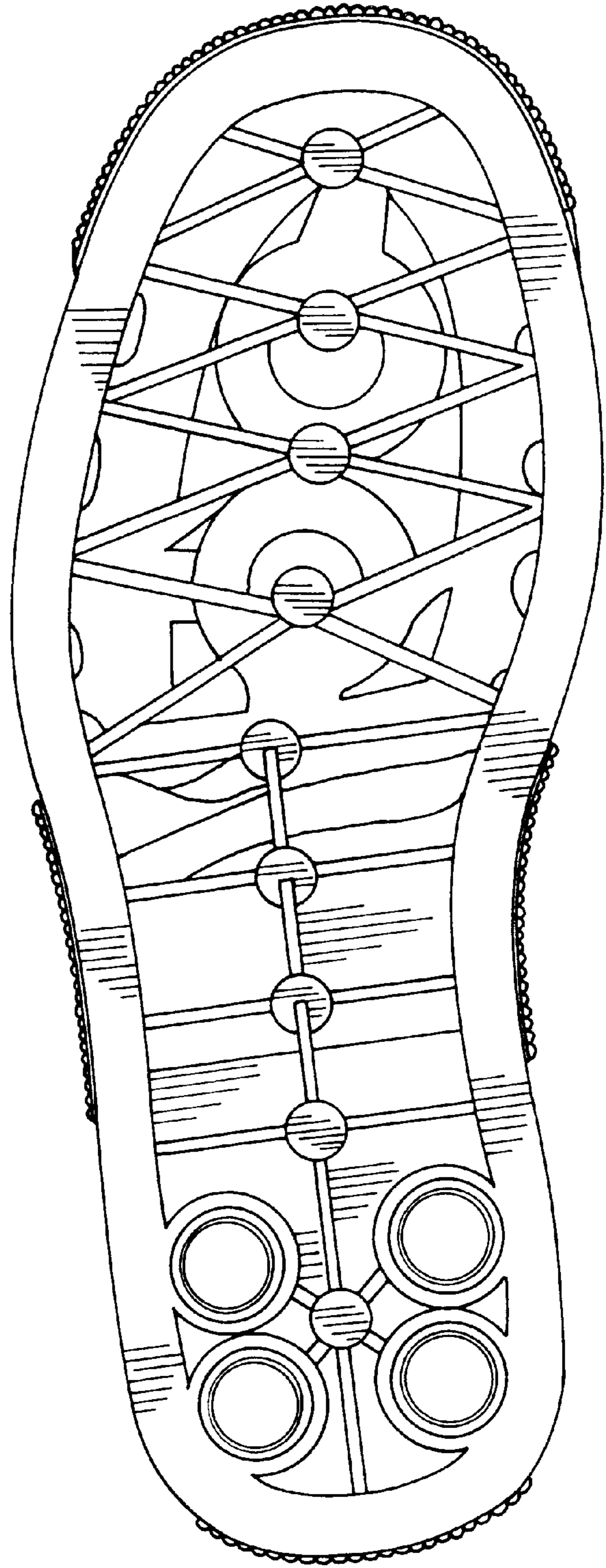


FIG. 6

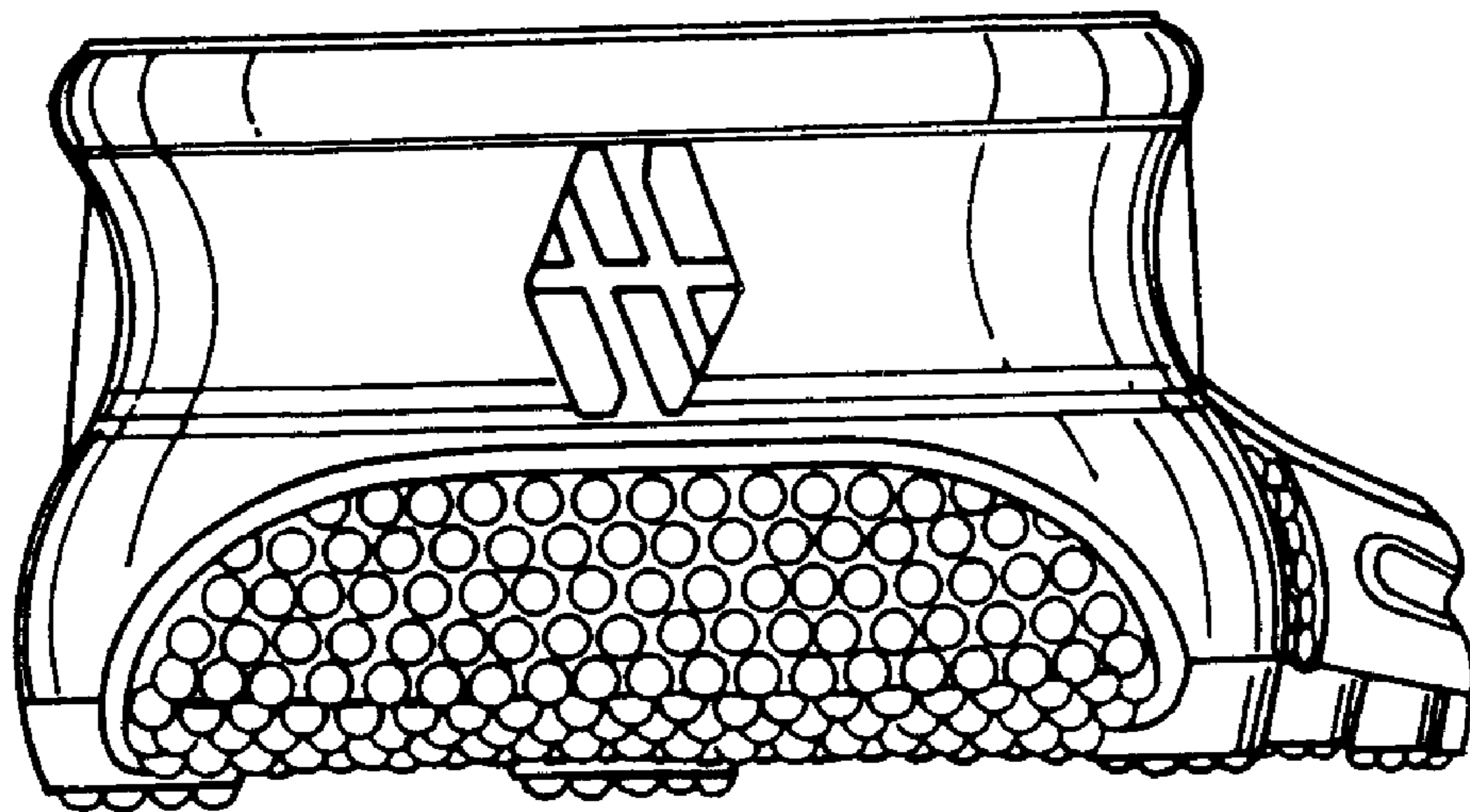


FIG. 7

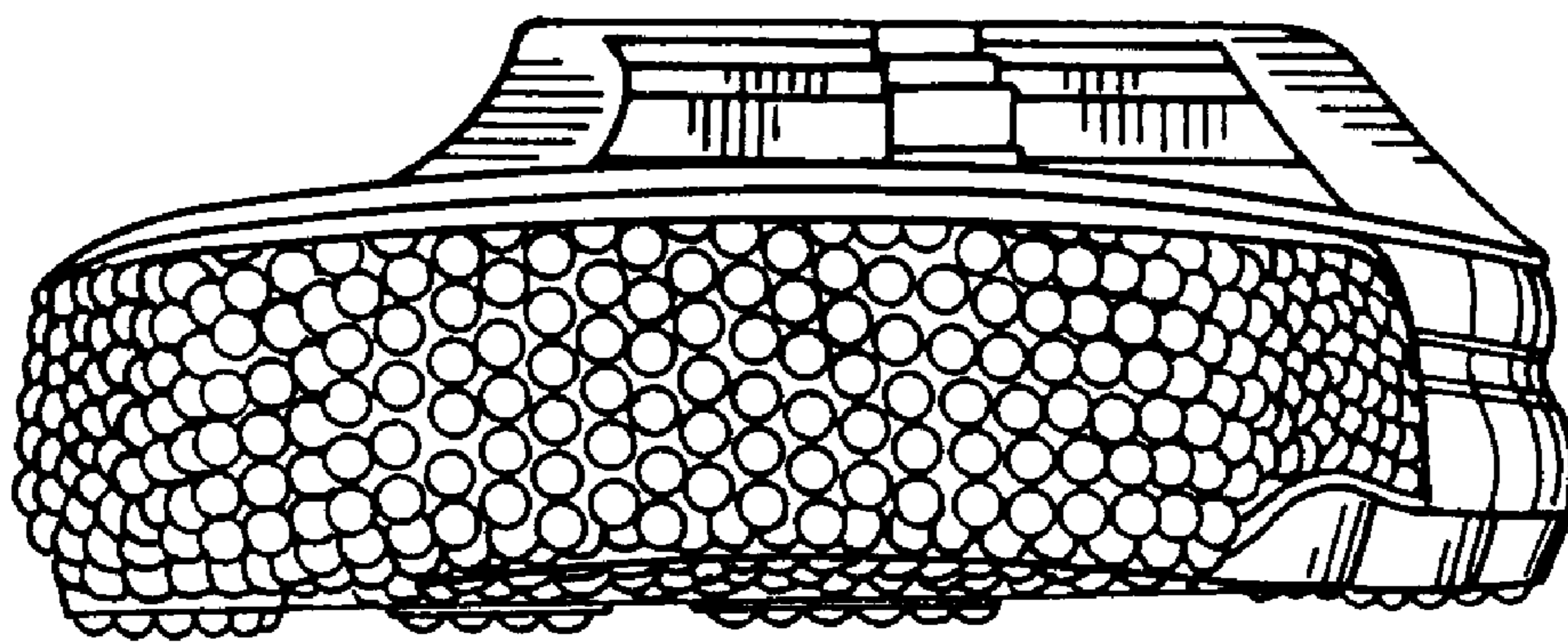


FIG. 8