



US00D426050S

**United States Patent** [19]  
**Bowen**

[11] **Patent Number: Des. 426,050**  
[45] **Date of Patent: \*\* Jun. 6, 2000**

[54] **PROTECTIVE JACKET**

[76] Inventor: **David R. Bowen**, 213 State St.,  
Binghamton, N.Y. 13902

[\*\*] Term: **14 Years**

[21] Appl. No.: **29/103,679**

[22] Filed: **Apr. 19, 1999**

[51] **LOC (7) Cl. .... 02-02**

[52] **U.S. Cl. .... D2/830; D2/828; D2/838;  
D2/839**

[58] **Field of Search** ..... D2/731, 739, 741,  
D2/749, 750, 828, 829, 830, 838, 839,  
840, 841; D24/190; D29/100, 101; 2/81,  
93, 94, 125, 115

[56] **References Cited**

**U.S. PATENT DOCUMENTS**

- D. 295,575 5/1988 Campbell ..... D2/840
- D. 296,030 6/1988 Cressy-Renoma ..... D2/829
- D. 314,465 2/1991 Campbell ..... D2/725

- D. 347,933 6/1994 Sessoms ..... D2/841
- 3,562,812 2/1971 Greggains ..... 2/94
- 5,924,135 7/1999 Worth ..... 2/125
- 5,933,865 8/1999 Aldridge ..... 2/81

*Primary Examiner*—Celia Murphy  
*Attorney, Agent, or Firm*—Salzman & Levy

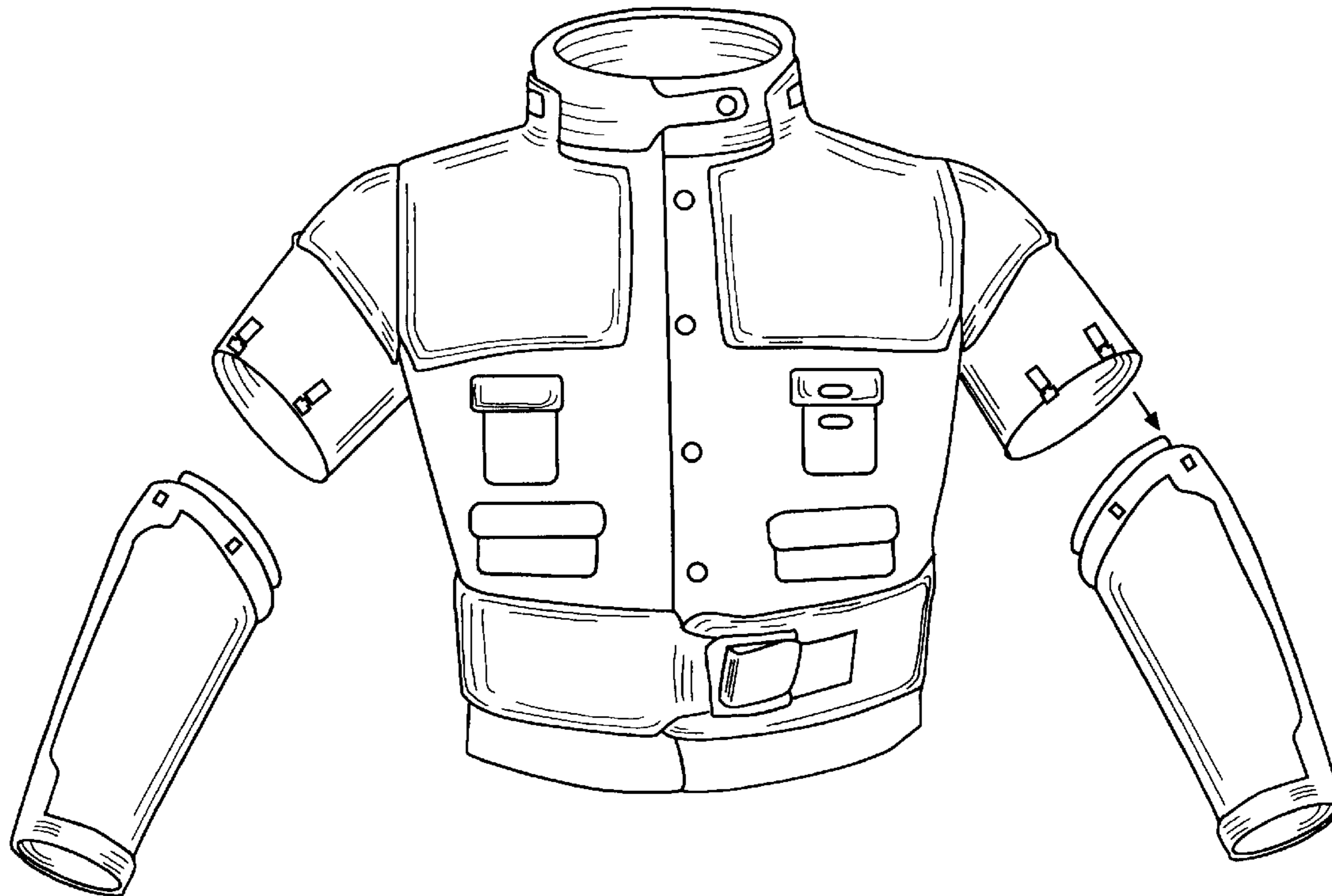
[57] **CLAIM**

The ornamental design for protective jacket, as shown and described.

**DESCRIPTION**

FIG. 1 is a front perspective view of a protective jacket showing my new design, the sleeves being shown detached; FIG. 2 is a rear perspective view thereof; FIG. 3 is a left side elevational view thereof, the lower sleeves being removed for convenience of illustration; FIG. 4 is a right side elevational view of FIG. 3; FIG. 5 is a bottom plan view of bottom plan view of FIG. 3; and, FIG. 6 is a top plan view of FIG. 3.

**1 Claim, 4 Drawing Sheets**



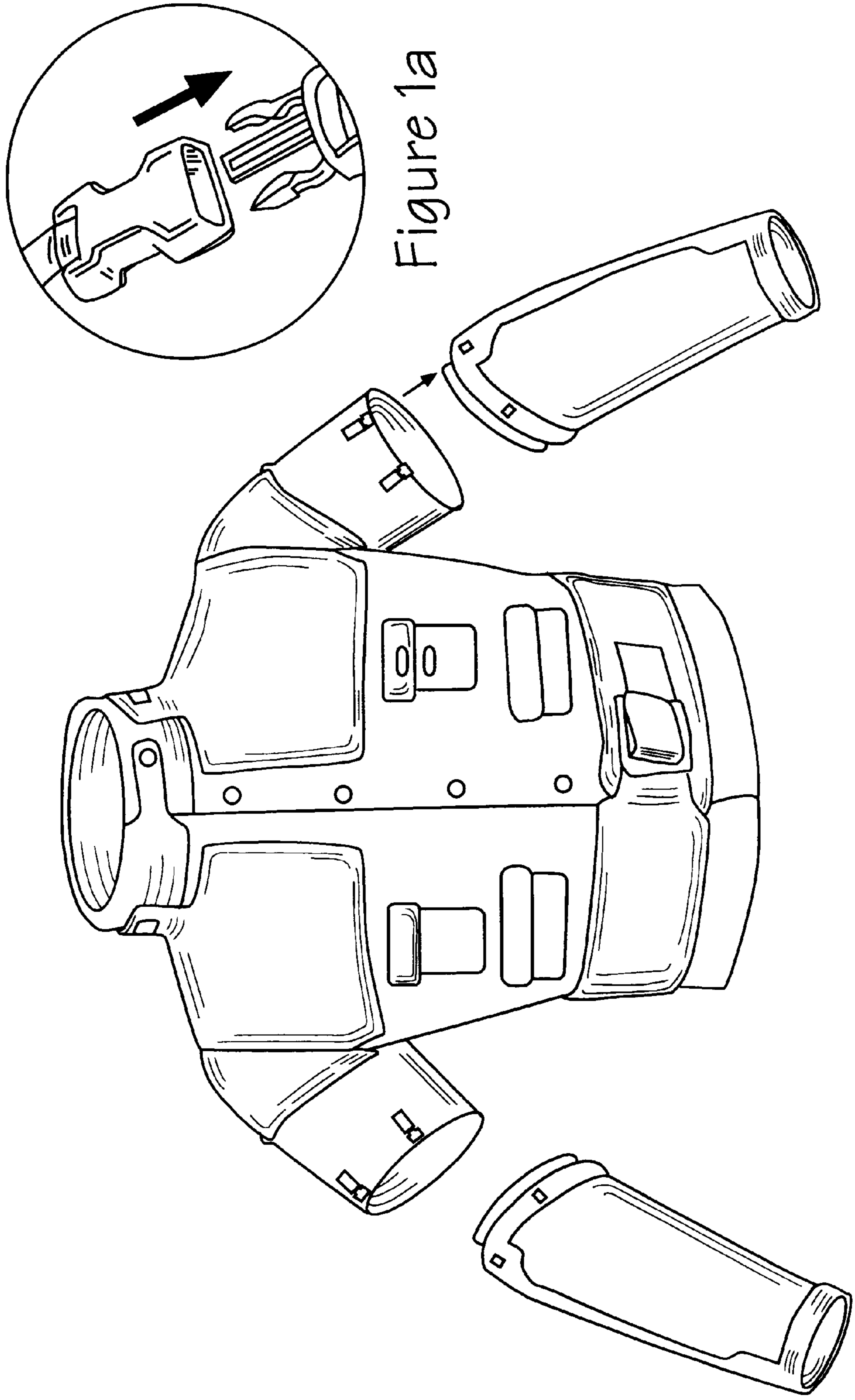


Figure 1a

Figure 1

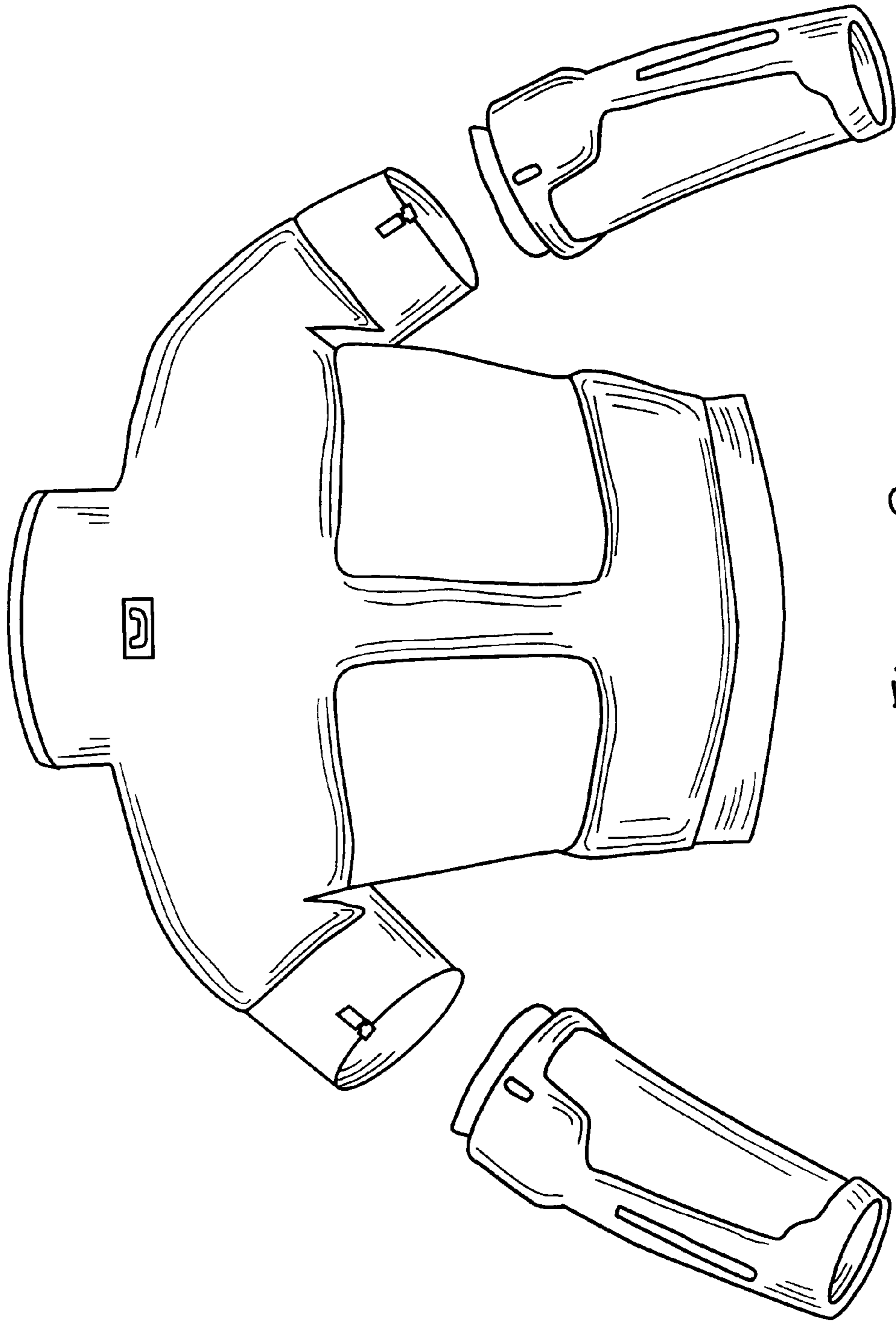


Figure 2

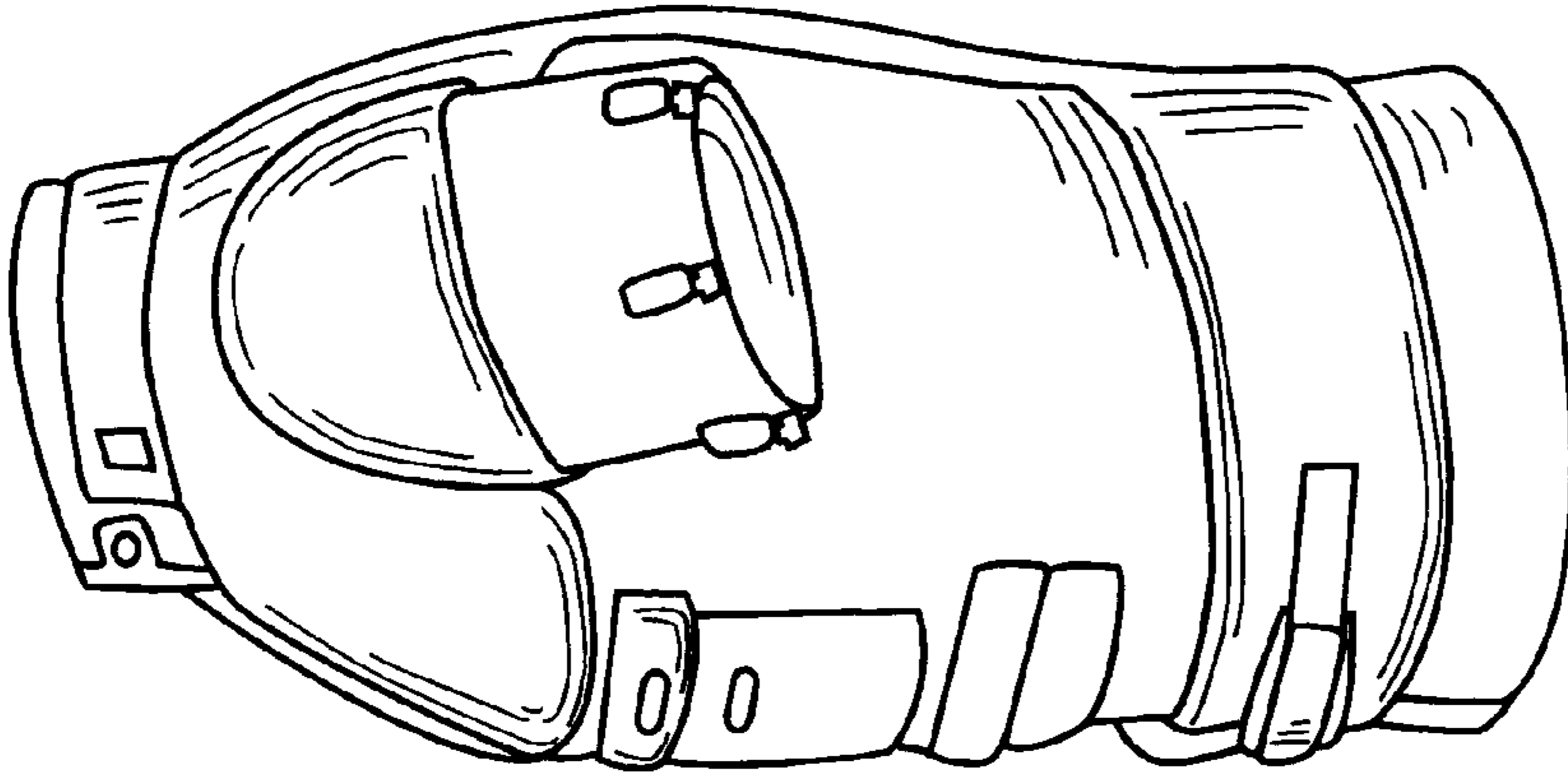


Figure 4

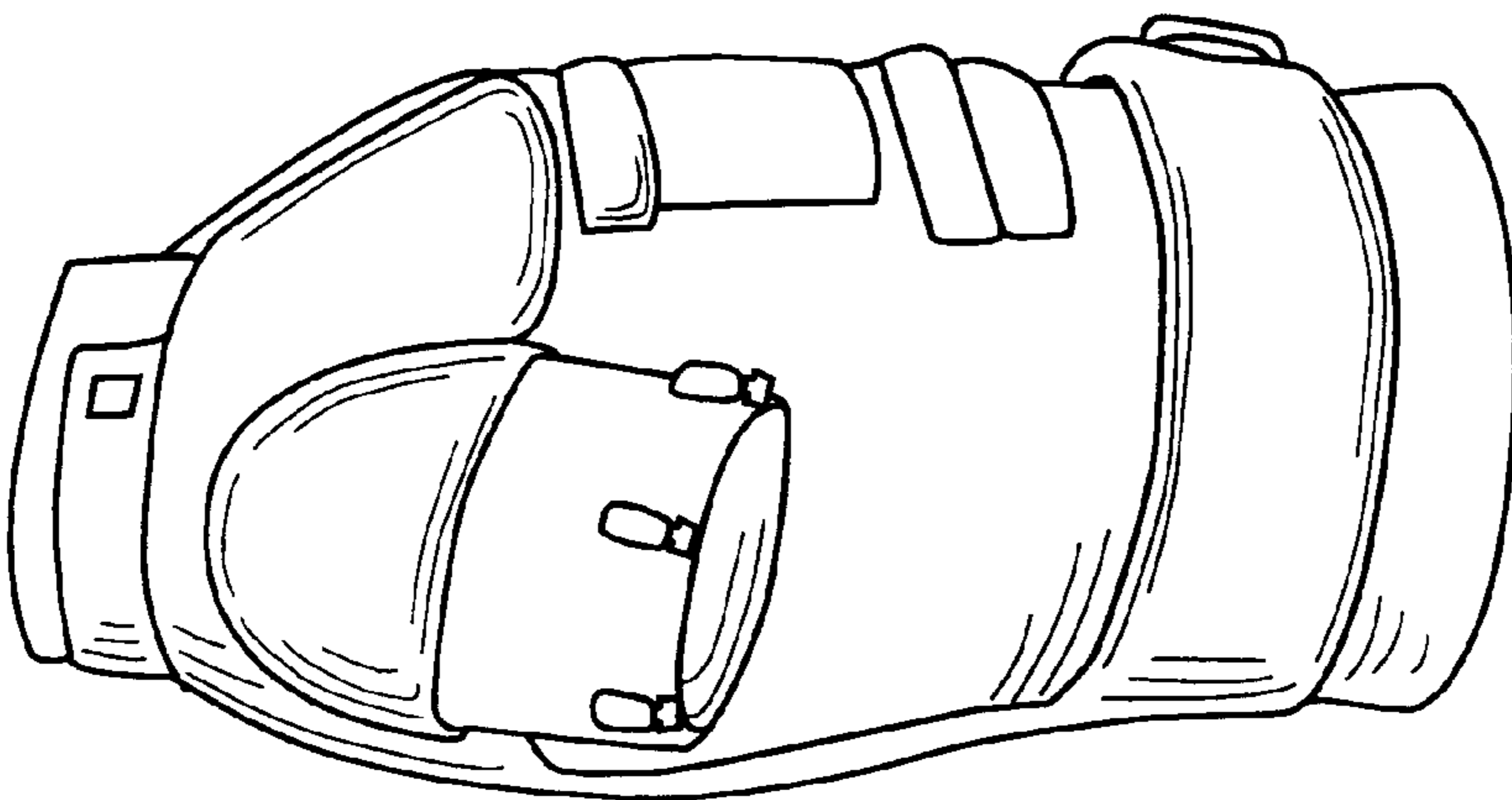


Figure 3

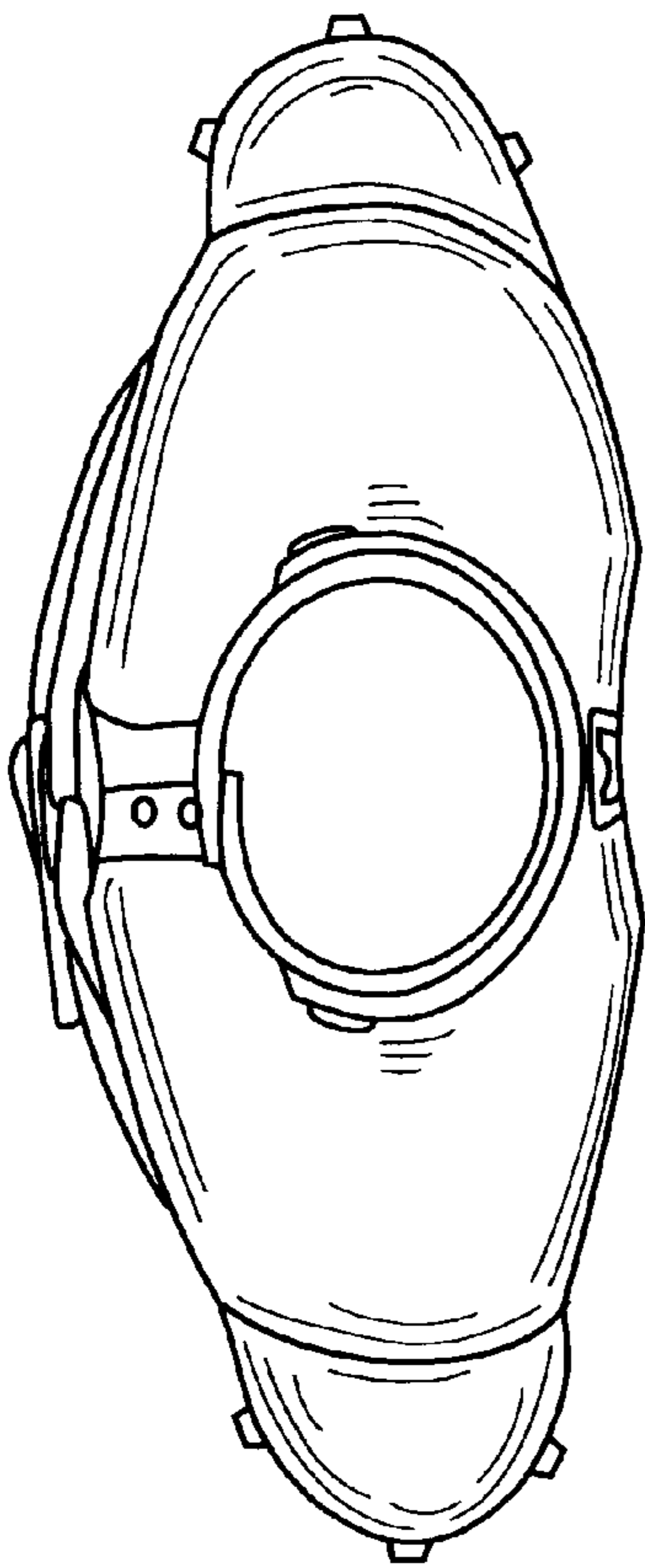


Figure 5

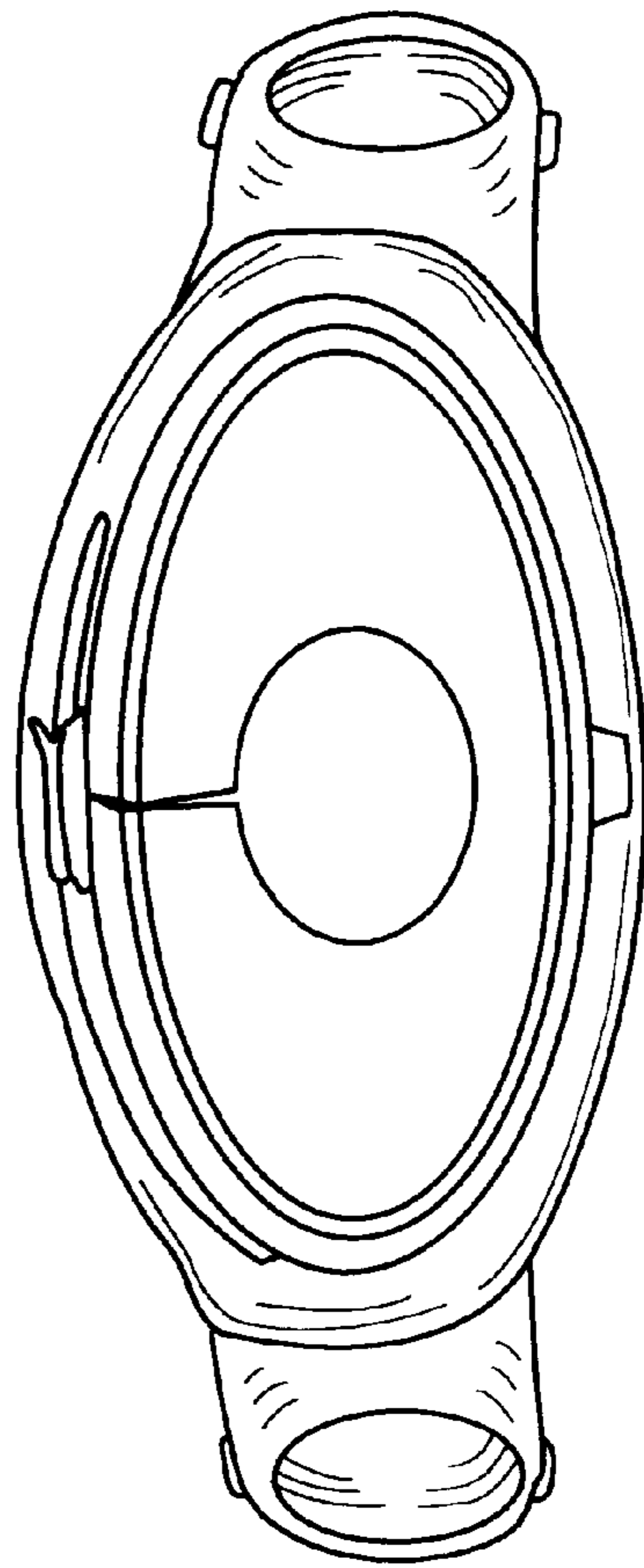


Figure 6