



US00D426042S

United States Patent [19] Wyman

[11] Patent Number: **Des. 426,042**

[45] Date of Patent: **** May 30, 2000**

[54] TRASH CUP

[75] Inventor: **Matthew T. Wyman**, McKinney, Tex.

[73] Assignee: **Wyman Enterprises**, McKinney, Tex.

[**] Term: **14 Years**

[21] Appl. No.: **29/108,783**

[22] Filed: **Jul. 30, 1999**

[51] LOC (7) Cl. **09-09**

[52] U.S. Cl. **D34/7; D34/1**

[58] Field of Search D34/1, 5, 7; 220/675,
220/669, 708, 671, 908, 909, 910, 911;
D7/531, 511, 523

[56] **References Cited**

U.S. PATENT DOCUMENTS

D. 205,319	7/1966	Klein	D34/5
D. 205,737	9/1966	Braught	D34/7
D. 213,722	4/1969	Earles et al.	D34/1
D. 218,636	9/1970	Mangold et al.	D34/7
D. 220,121	3/1971	Griggers	D34/5
D. 226,397	2/1973	Franklin	D34/1
D. 247,087	1/1978	Dickinson	D34/7
D. 269,643	7/1983	Hartman et al.	D34/7
D. 285,032	8/1986	Alonzo	D34/1
D. 345,073	3/1994	Carlson	D7/511 X
D. 353,297	12/1994	Sokolski et al.	D7/523 X
D. 355,511	2/1995	Cassel	D34/1
D. 362,368	9/1995	Willbrandt	D7/531
D. 378,738	6/1997	Liming et al.	D7/523 X
D. 379,738	6/1997	Liming et al.	D7/511

D. 381,558	7/1997	Schaefer et al.	D7/531
D. 383,038	9/1997	Willbrandt	D7/531
D. 396,381	7/1998	Chung	D7/511 X
3,739,936	6/1973	Jones, Jr.	220/86 R
4,328,904	5/1982	Iverson	220/256
4,709,833	12/1987	Granberg et al.	220/669
4,884,717	12/1989	Bussard et al.	220/229
5,165,564	11/1992	Prout et al.	220/254
5,427,269	6/1995	Willbrandt	220/669
5,433,337	7/1995	Willbrandt	220/669
5,657,897	8/1997	Schwartzburg	220/669

FOREIGN PATENT DOCUMENTS

0 339 729	11/1989	European Pat. Off. .
2820-566	11/1979	Germany .

Primary Examiner—Susan J. Lucas
Assistant Examiner—Cynthia E. Ramirez
Attorney, Agent, or Firm—Baker Botts L.L.P.

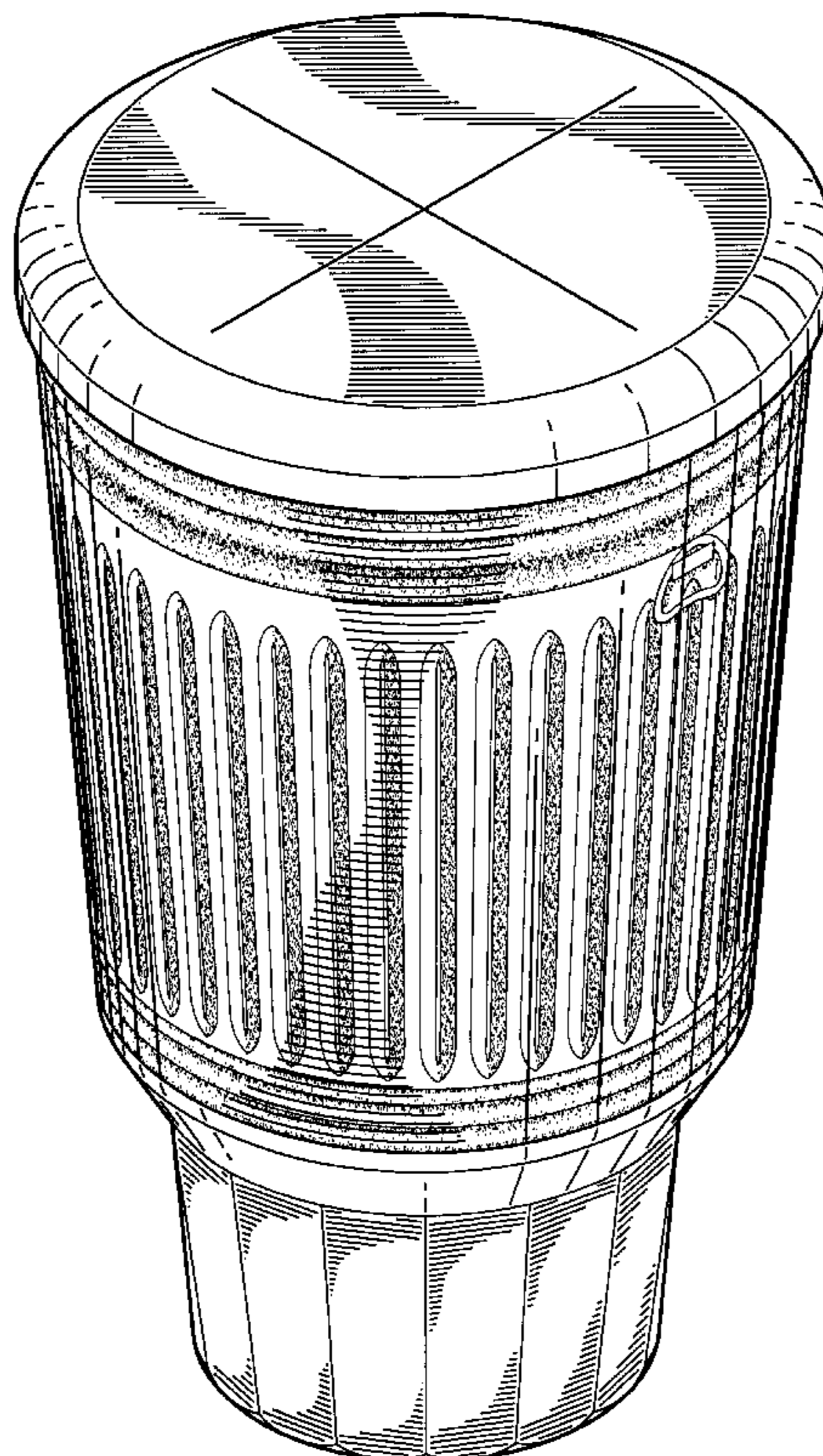
[57] **CLAIM**

The ornamental design of a trash cup, as shown and described.

DESCRIPTION

FIG. 1 is a perspective view of a trash cup showing my new design;
FIG. 2 is a side elevational view thereof, the other side being the same;
FIG. 3 is a front elevational view thereof, the rear being the same;
FIG. 4 is a top plan view thereof; and,
FIG. 5 is a bottom plan view thereof.

1 Claim, 3 Drawing Sheets



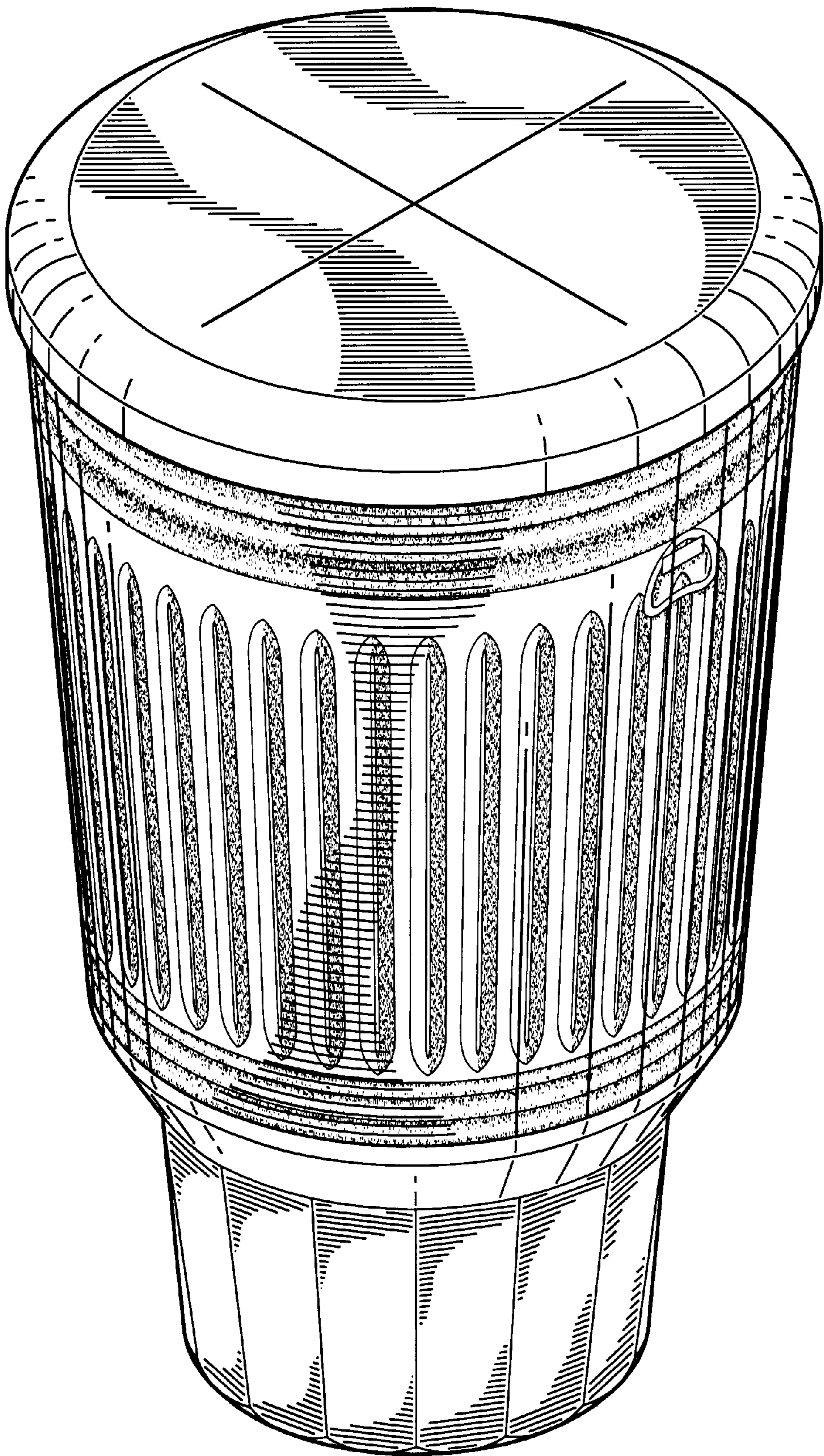


FIG. 1

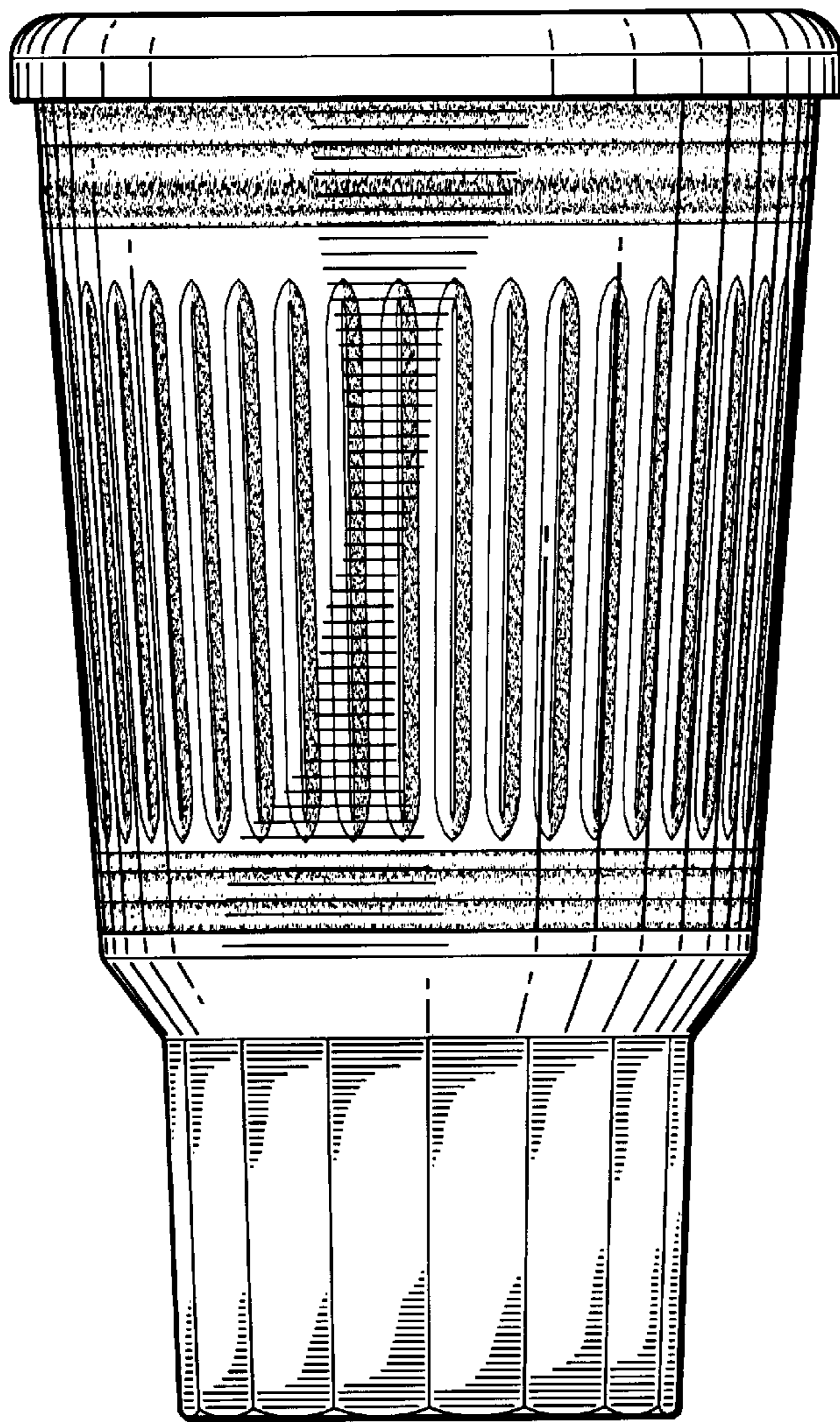


FIG. 2

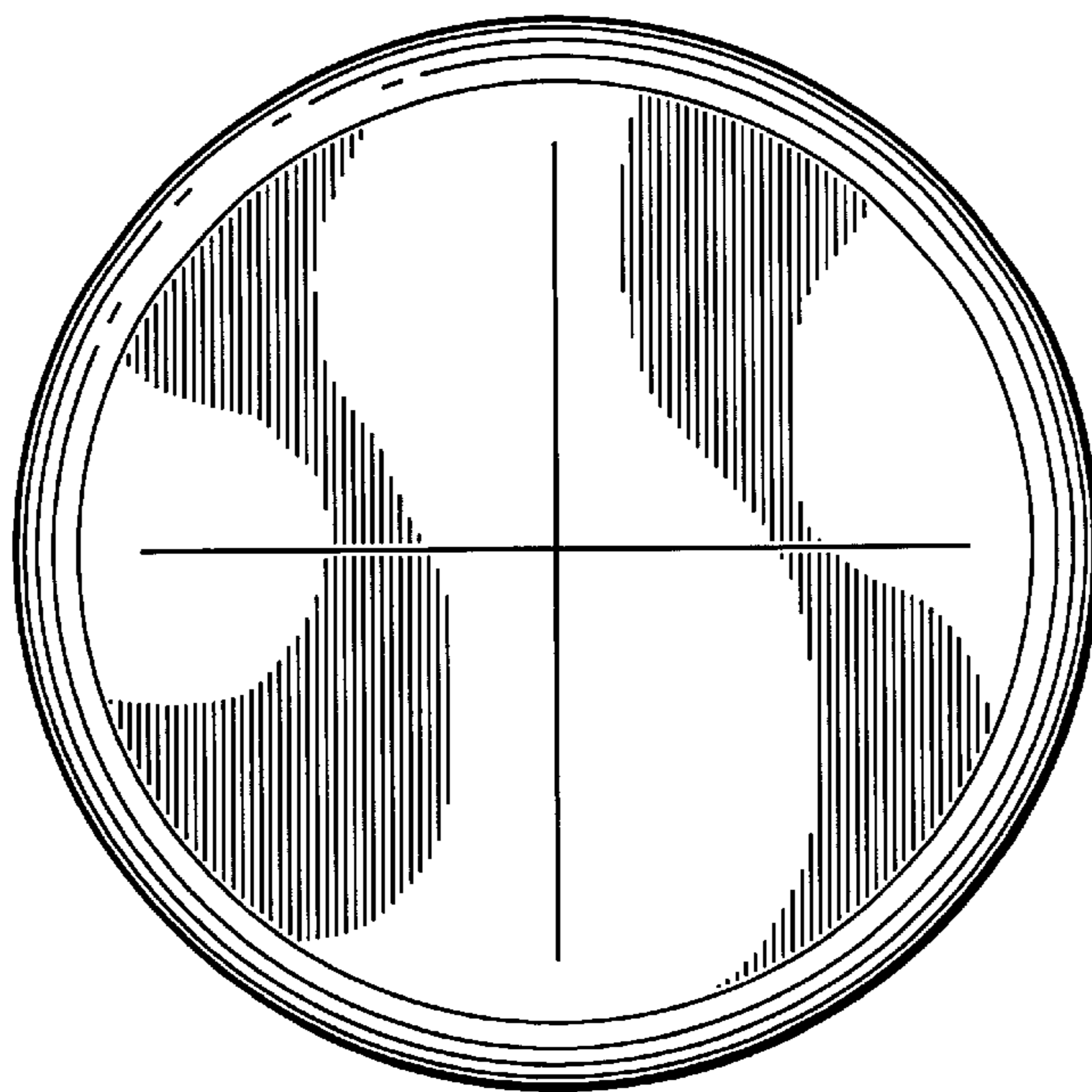


FIG. 4

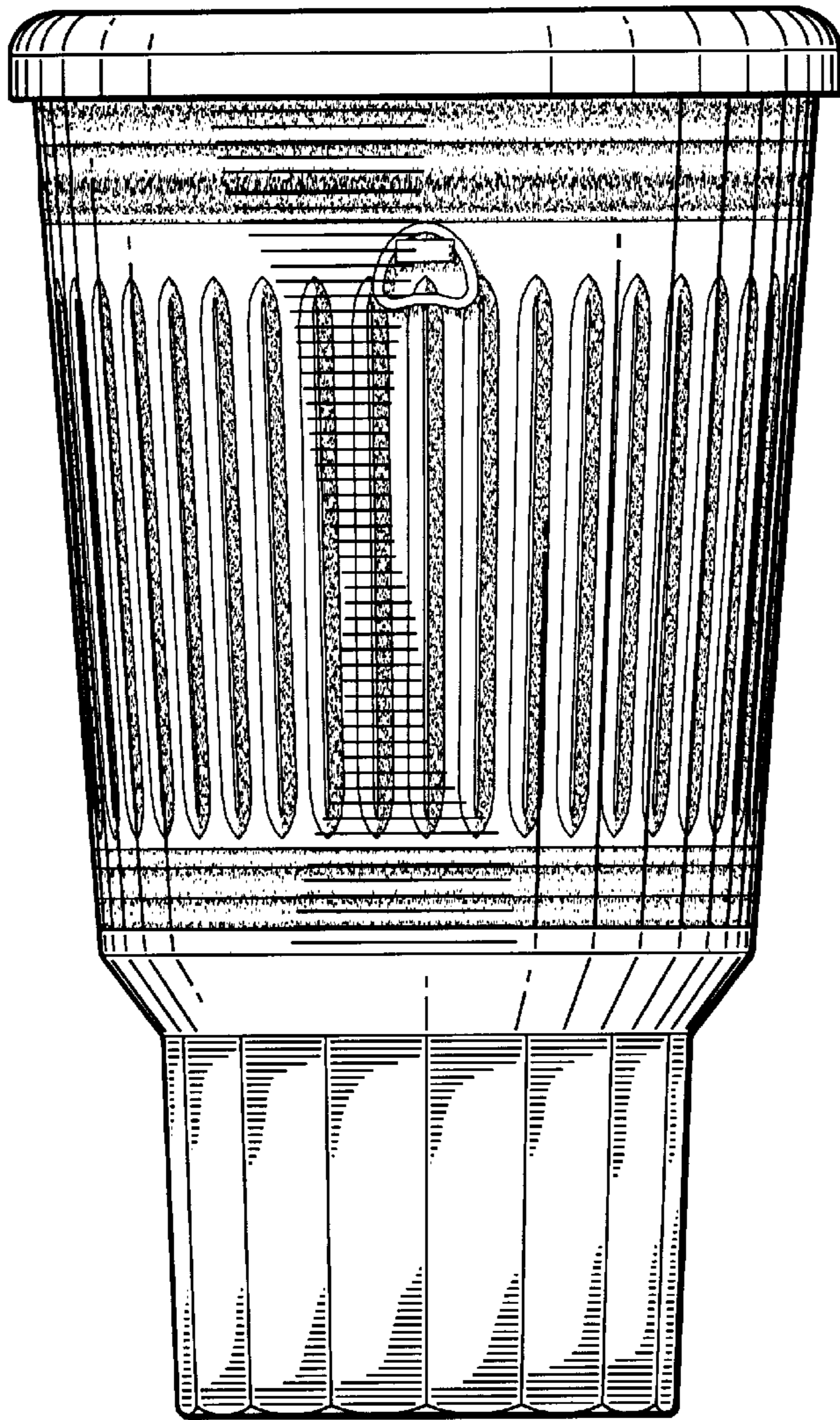


FIG. 3

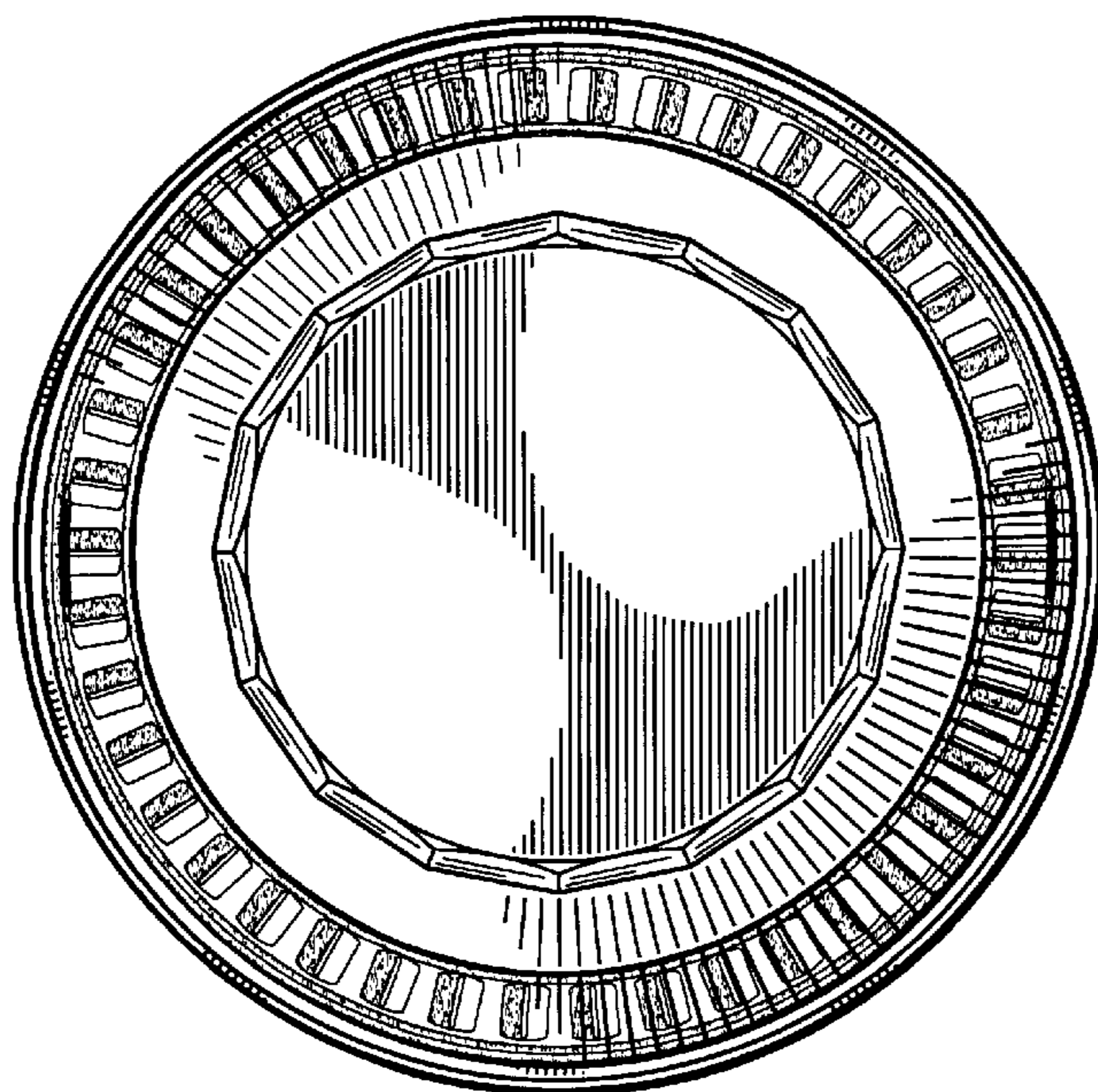


FIG. 5