



US00D426035S

United States Patent [19]
Huang

[11] **Patent Number: Des. 426,035**

[45] **Date of Patent: ** May 30, 2000**

[54] **BIRD CAGE TOP**

Attorney, Agent, or Firm—Bacon & Thomas, PLLC

[76] Inventor: **Candy Huang**, 1F, No. 171, Fu-Hua Rd., Shih-Lin Dist., Taipei, Taiwan

[57] **CLAIM**

[**] Term: **14 Years**

The ornamental design for a bird cage top, as shown and described.

[21] Appl. No.: **29/108,067**

DESCRIPTION

[22] Filed: **Jul. 21, 1999**

[51] **LOC (7) Cl. 30-02**

[52] **U.S. Cl. D30/119**

[58] **Field of Search** D30/119, 108, D30/110, 114, 116, 118; 119/452, 453, 459, 72, 461, 472, 537

FIG. 1 is a perspective view of a bird cage top showing my new design;

FIG. 2 is the right side elevational view thereof and the left side elevational view being a mirror image thereof;

FIG. 3 is a top plan view thereof;

FIG. 4 is a front side elevational view thereof and a rear side elevational view being a mirror image thereof;

FIG. 5 is a bottom plan view thereof;

FIG. 6 is a perspective view thereof shown in a closed position; and,

FIG. 7 is another perspective view thereof shown in an open position.

The broken line showing of environment in the drawings is for illustrative purposes only and forms no part of the claimed design.

[56] **References Cited**

U.S. PATENT DOCUMENTS

D. 308,737	6/1990	Daily	D30/116
D. 372,561	8/1996	Lai	D30/119
D. 377,546	1/1997	King	D30/119
2,178,117	10/1939	Hillenek	119/452
5,000,121	3/1991	Daily	119/452

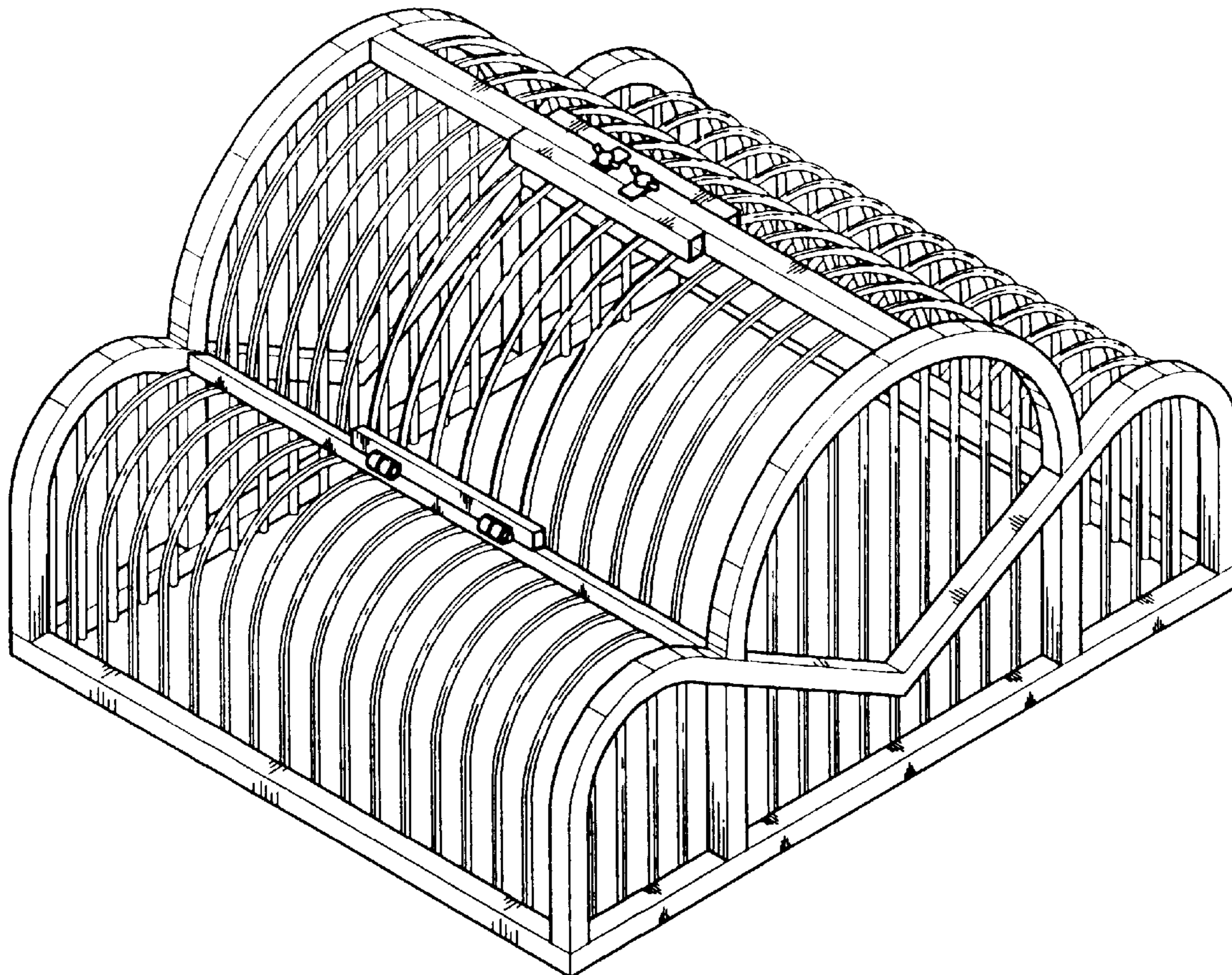
OTHER PUBLICATIONS

Fritz Pet Products—Minster Cage—Cockatiel 1991.

Primary Examiner—Louis S. Zarfes

Assistant Examiner—Catherine R. Oliver

1 Claim, 7 Drawing Sheets



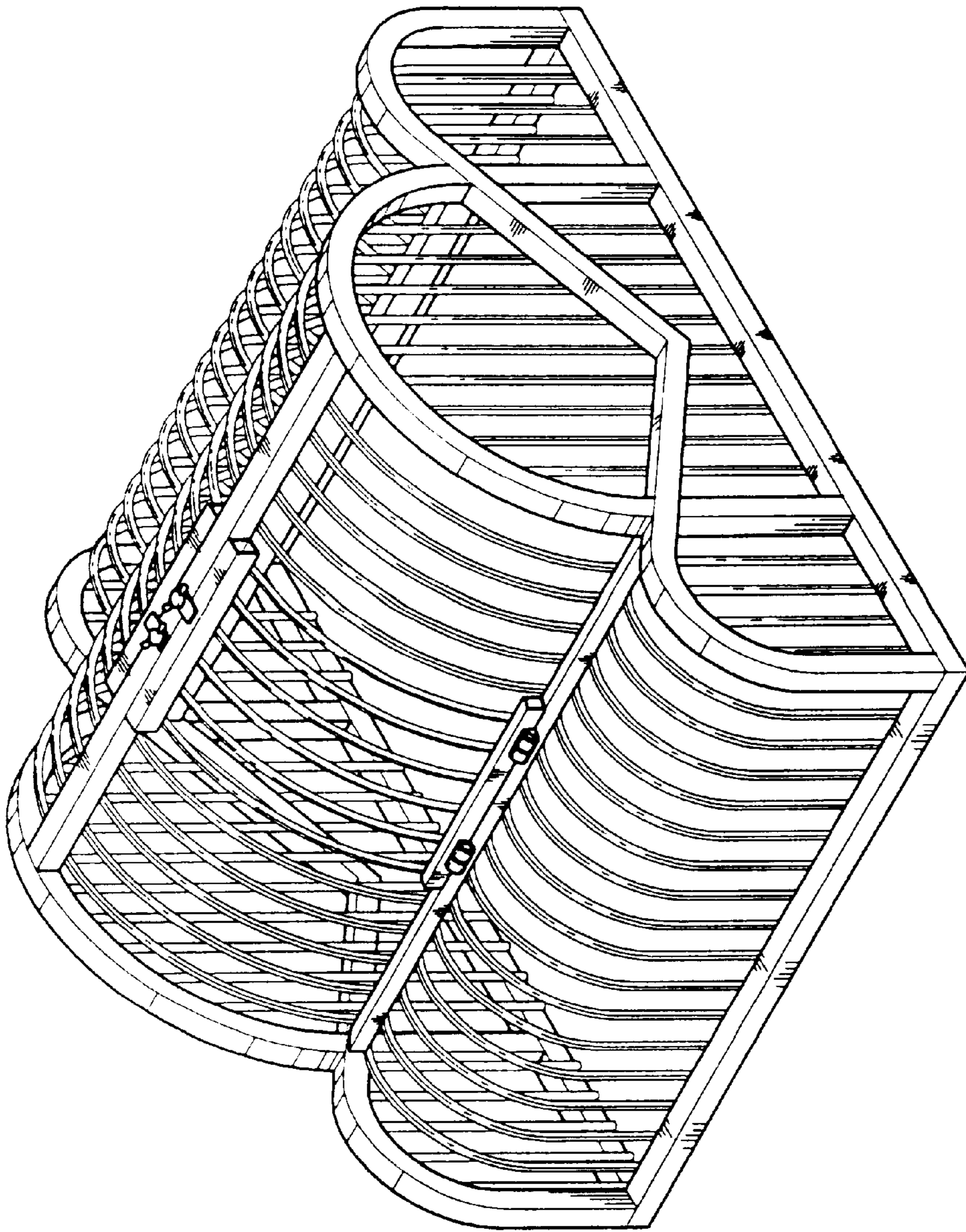


Fig. 1

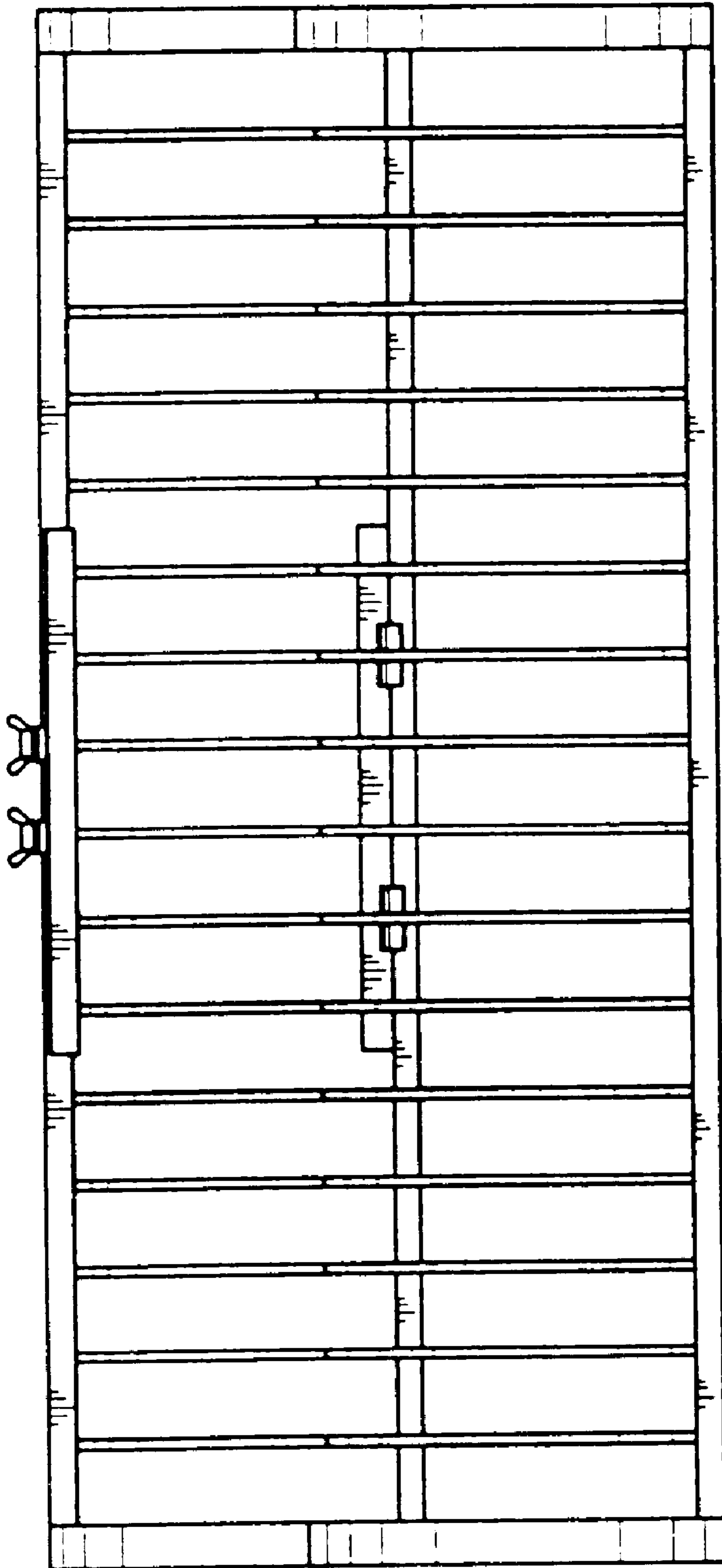


Fig. 2

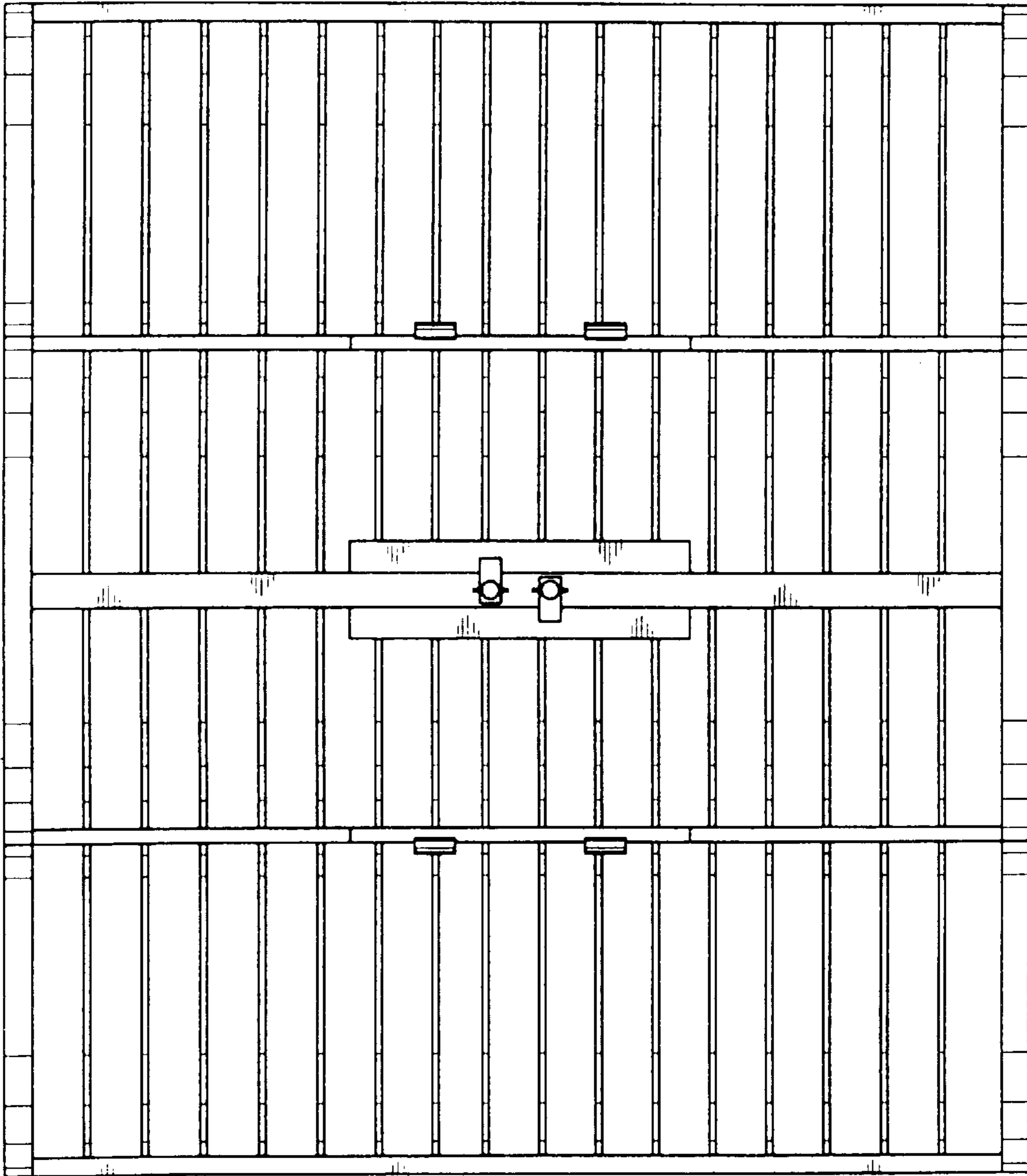


Fig. 3

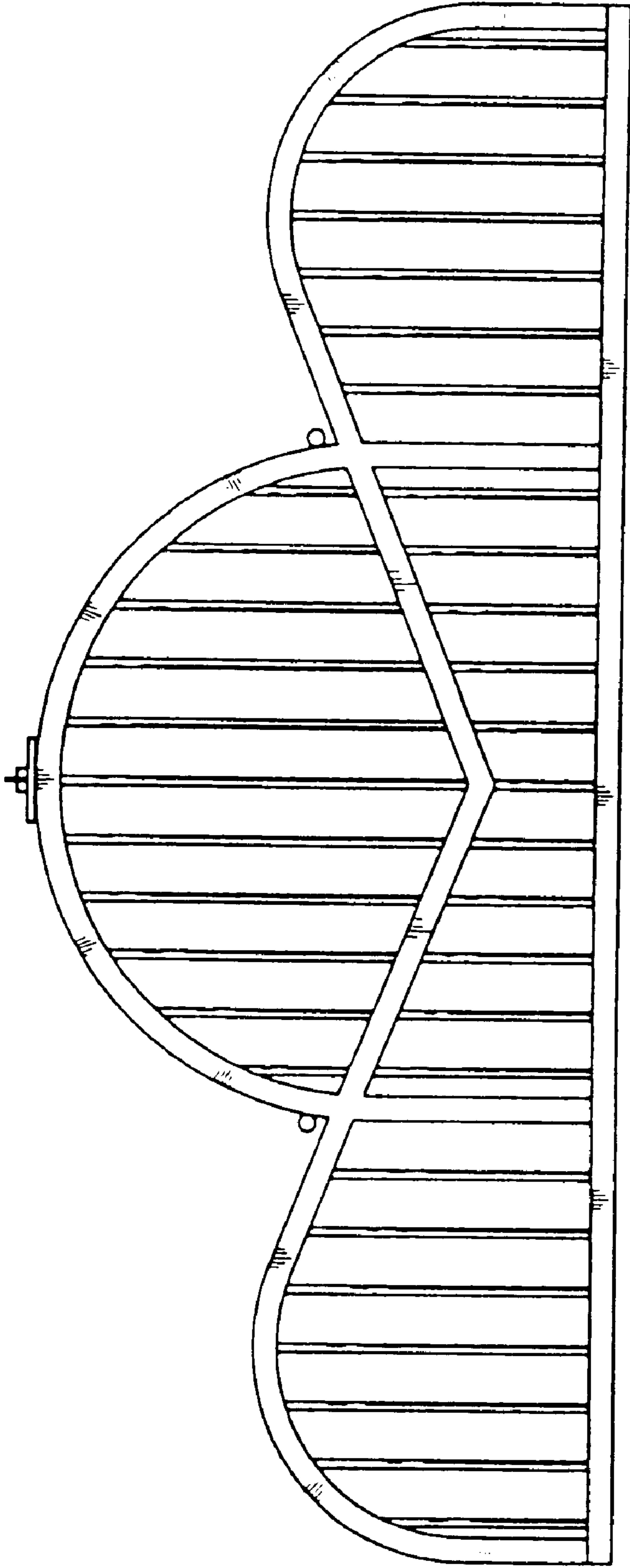


Fig. 4

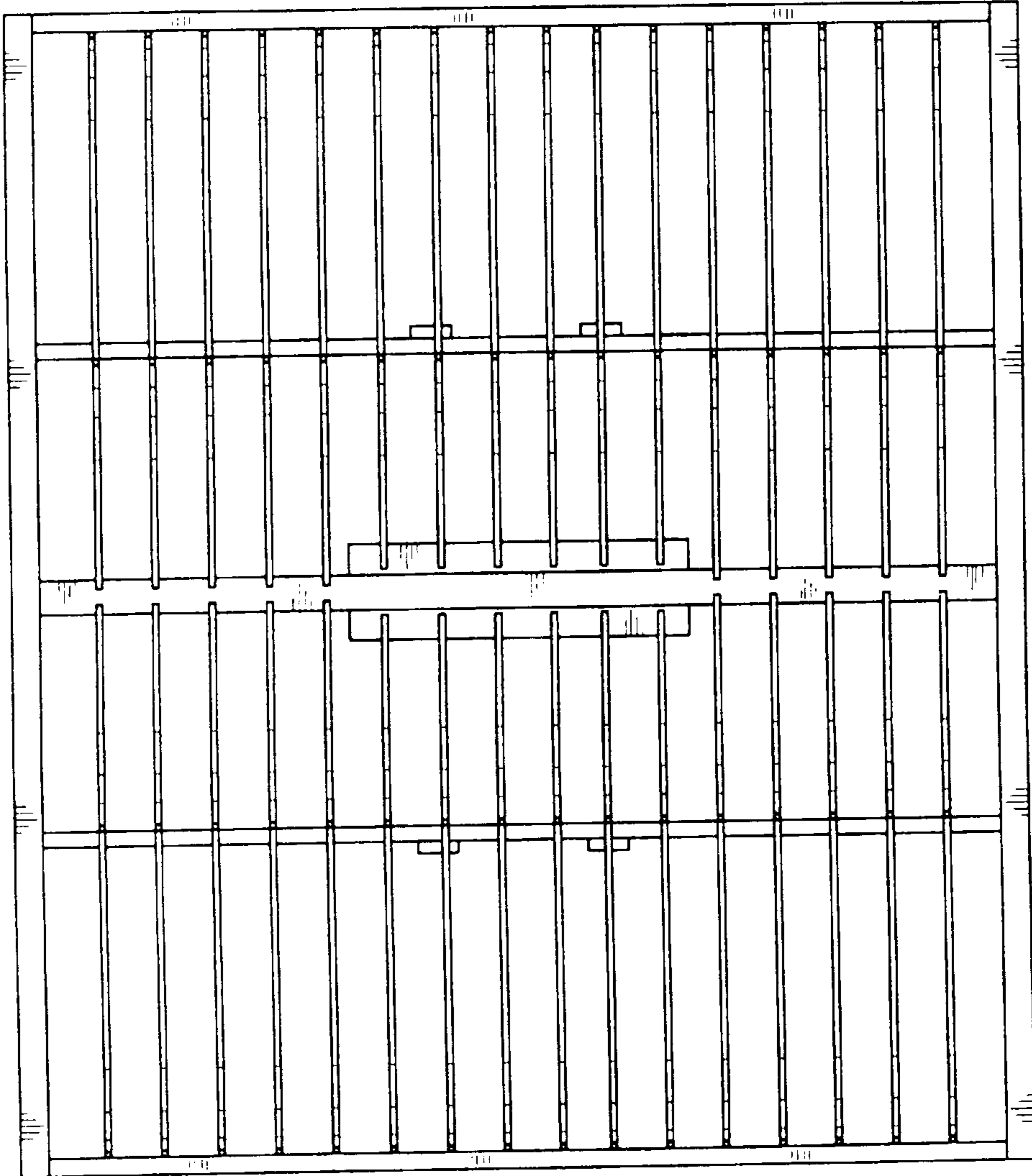
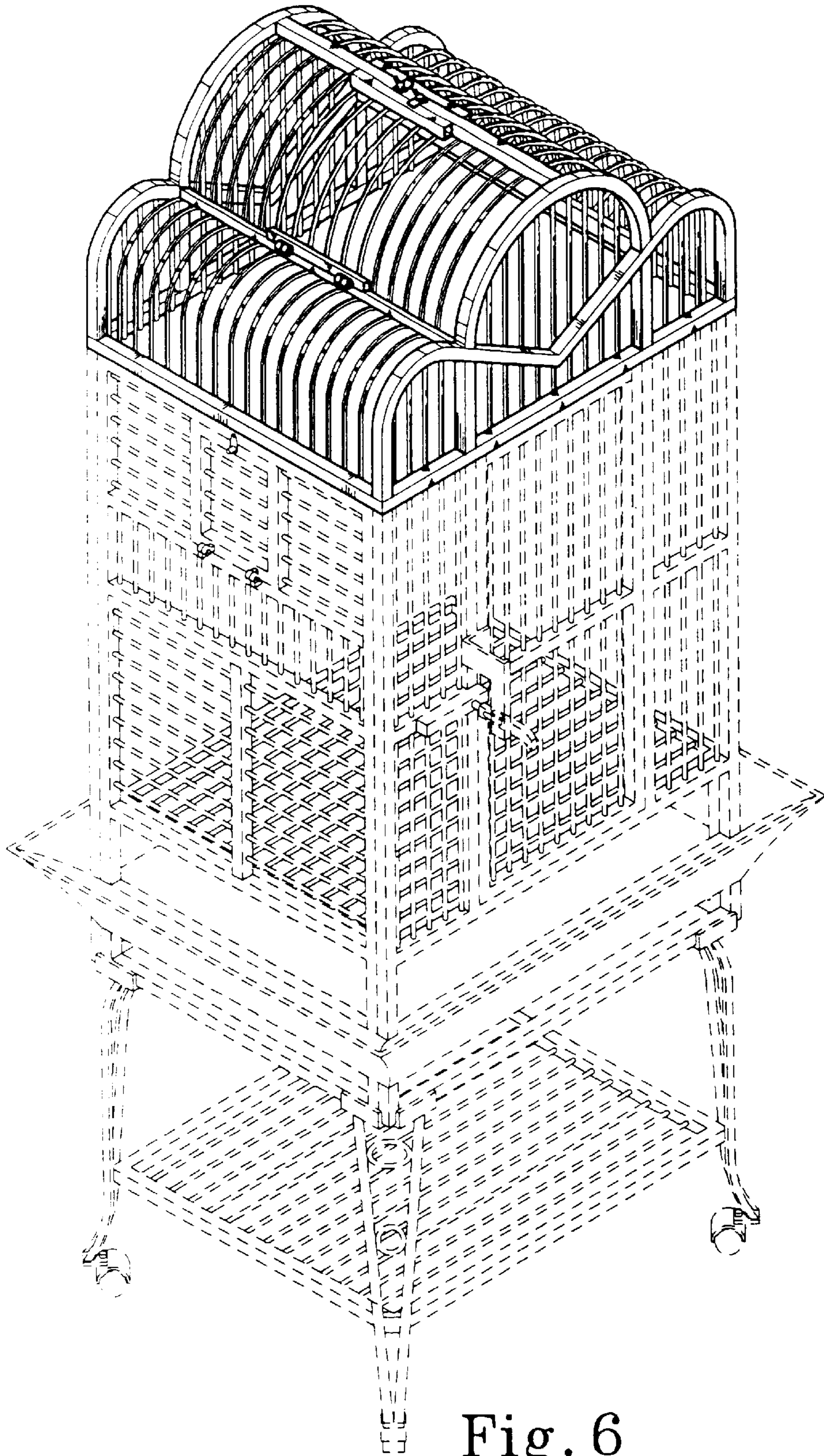


Fig. 5



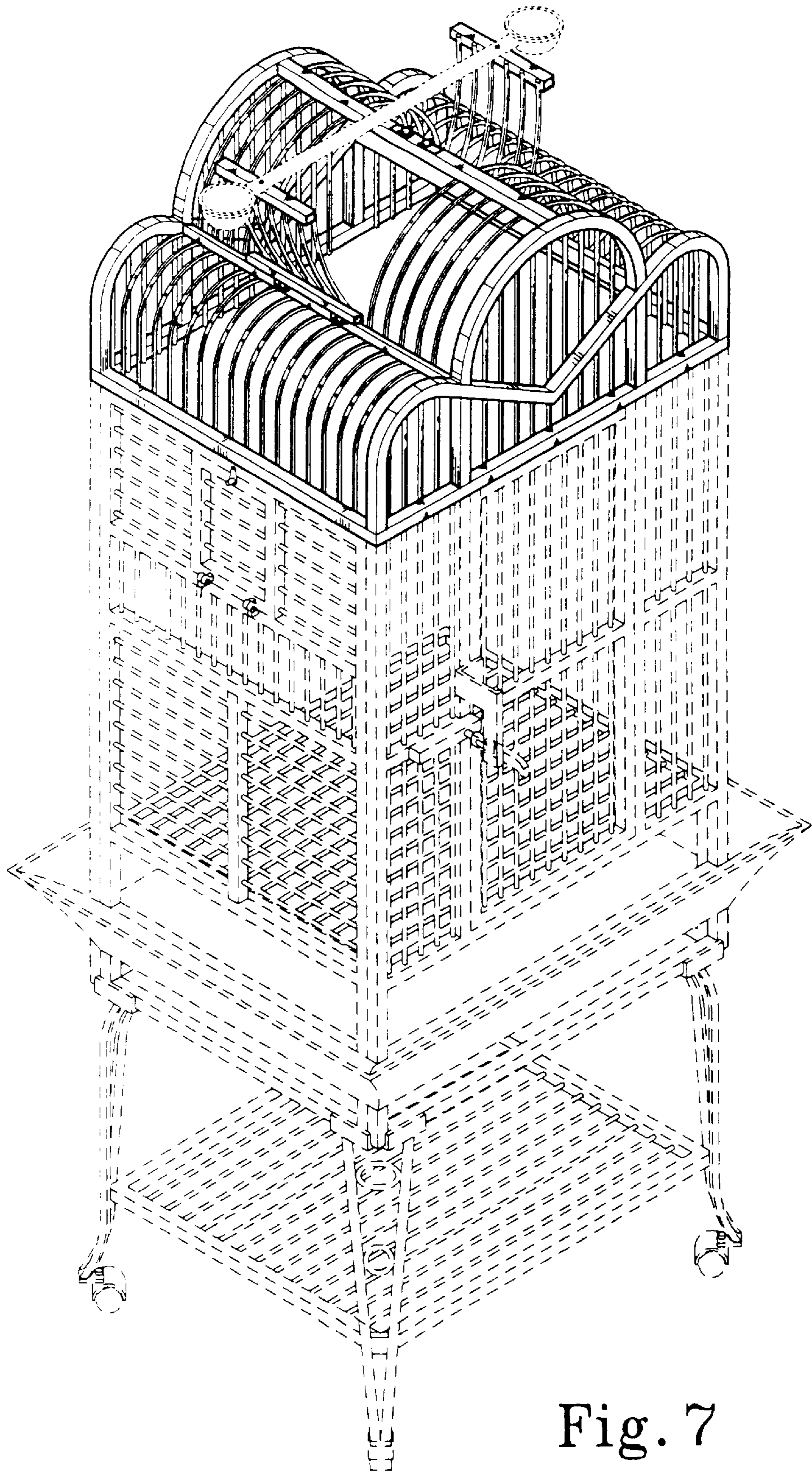


Fig. 7