



US00D426033S

# United States Patent [19] Rooks

[11] **Patent Number: Des. 426,033**

[45] **Date of Patent: \*\* May 30, 2000**

[54] **COMBINED AQUARIUM AND TABLE**

[76] Inventor: **Alicia Rooks**, P.O. Box 9792, Fort Lauderdale, Fla. 33310

[\*\*] Term: **14 Years**

[21] Appl. No.: **29/093,678**

[22] Filed: **Sep. 16, 1998**

[51] **LOC (7) Cl.** ..... **30-02**

[52] **U.S. Cl.** ..... **D30/104**; D6/382; D6/477; D6/397; D6/480

[58] **Field of Search** ..... D30/101-107; 119/245-258; D6/505, 382-384, 480, 477, 393, 396, 397, 470; 428/7; 210/416.2; 362/101, 97, 130

[56] **References Cited**

**U.S. PATENT DOCUMENTS**

D. 209,897	1/1968	Ikeda	.....	D6/393
D. 223,583	5/1972	Weick	.....	D6/477
D. 244,621	6/1977	Braid	.....	D30/101
D. 264,289	5/1982	Klein	.....	D6/477
D. 295,903	5/1988	Johnson	.....	D30/105
D. 379,556	5/1997	Stern	.....	D30/101
D. 398,422	9/1998	Rooks	.....	D30/104
5,546,289	8/1996	Gordon	.....	362/101

**OTHER PUBLICATIONS**

SuperPet Reptile Habitats brochure.  
Midwest Tropical Enterprises, Inc. brochure; 1983; The Nautical Mist coffee table aquarium or terrarium.

Great Western Trading Co., Inc. catalog; Cover photo of Neon Aquarium #13040.

All-Glass Aquarium catalog; p. 5; Flatback 26 gallon aquarium #17126.

All-Glass Aquarium catalog; p. 6; 10 gallon size Personal Size Designer Aquarium.

*Primary Examiner*—Cathy Anne MacCormac  
*Attorney, Agent, or Firm*—Herbert L. Lerner; Laurence A. Greenberg; Werner H. Stemer

[57] **CLAIM**

The ornamental design for the combined aquarium and table, as shown and described.

**DESCRIPTION**

FIG. 1 is a front and top perspective view of a combined aquarium and table showing my new design;

FIG. 2 is a front elevational view thereof, the rear view is identical;

FIG. 3 is a right side elevational view thereof, the left side being a mirror image;

FIG. 4 is a top plan view thereof;

FIG. 5 is a bottom pan view thereof;

FIG. 6 is a front and top perspective view of a second embodiment of FIG. 1;

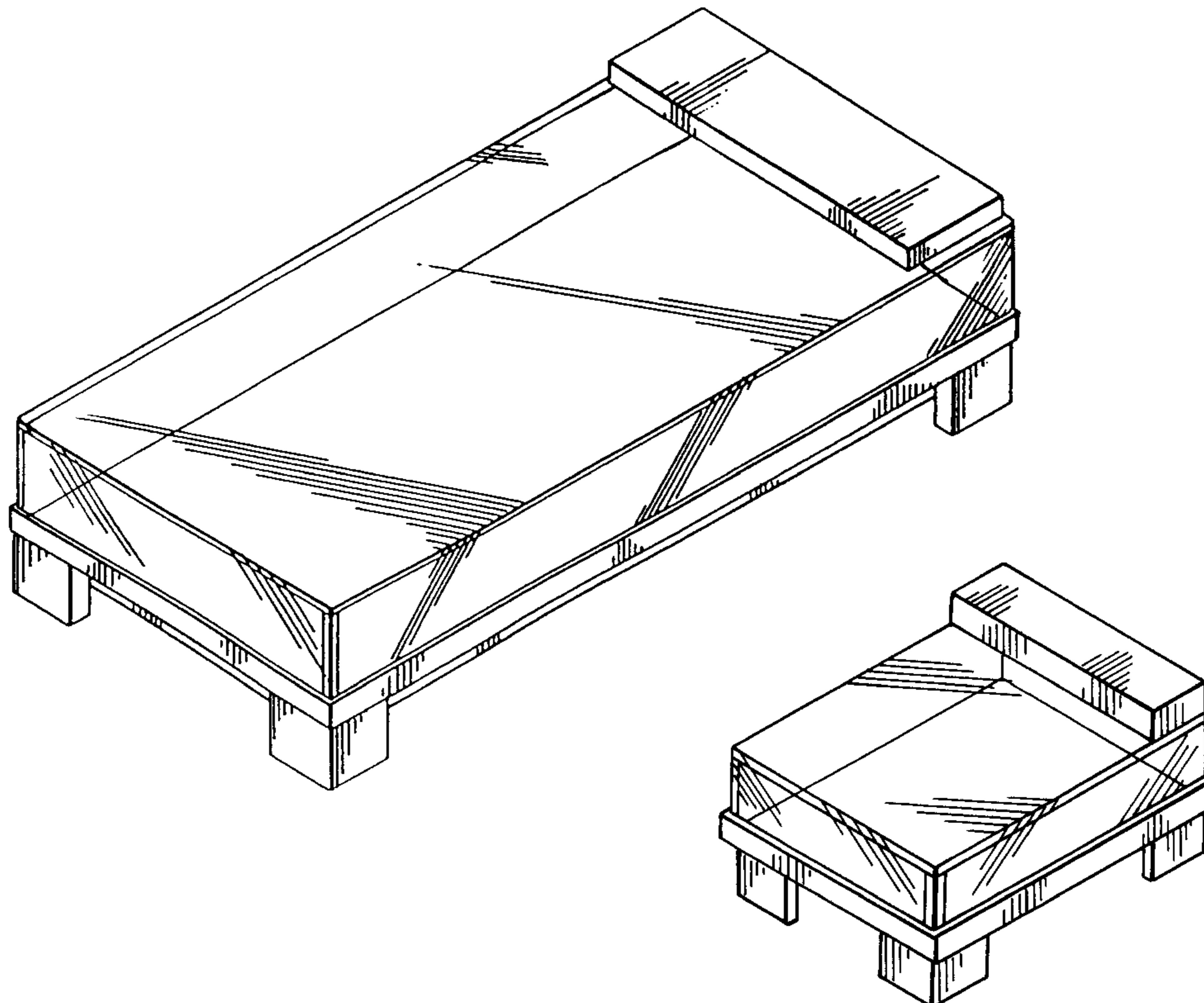
FIG. 7 is a top plan view of FIG. 6;

FIG. 8 is a bottom plan view of FIG. 6;

FIG. 9 is a left side elevational view of FIG. 6, the right side being a mirror image; and,

FIG. 10 is a front elevational view of FIG. 6, the rear view is identical.

**1 Claim, 4 Drawing Sheets**



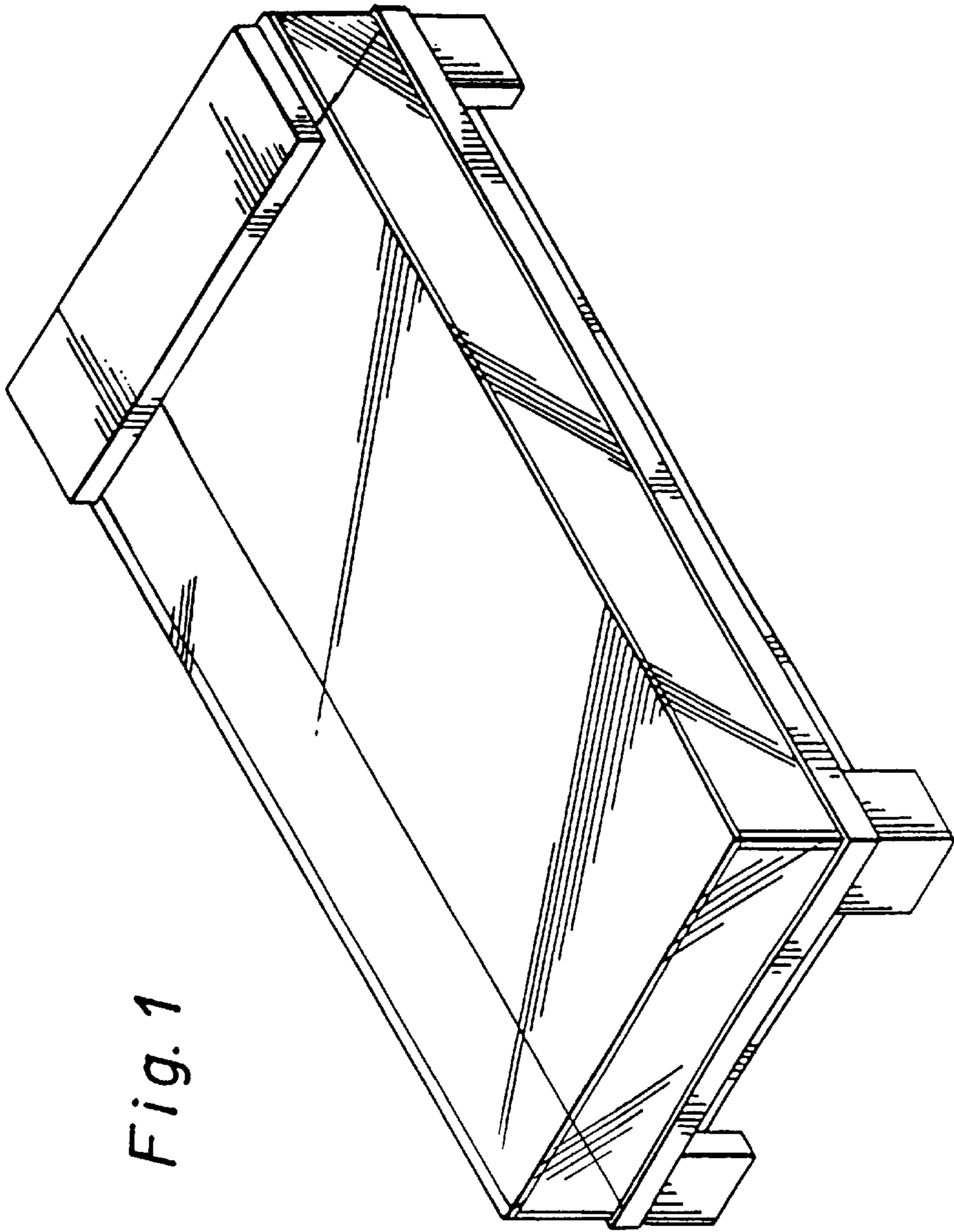


Fig. 1

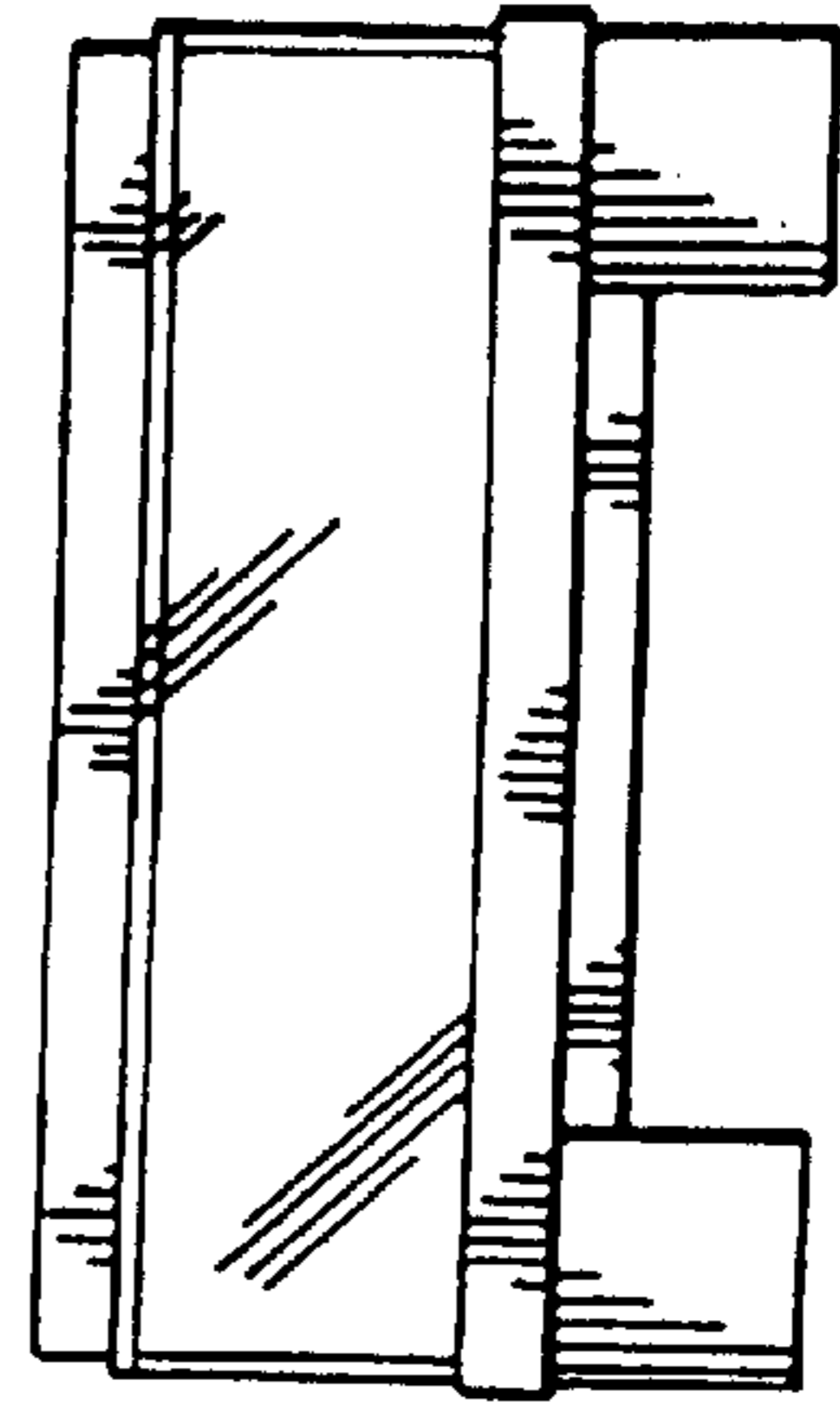
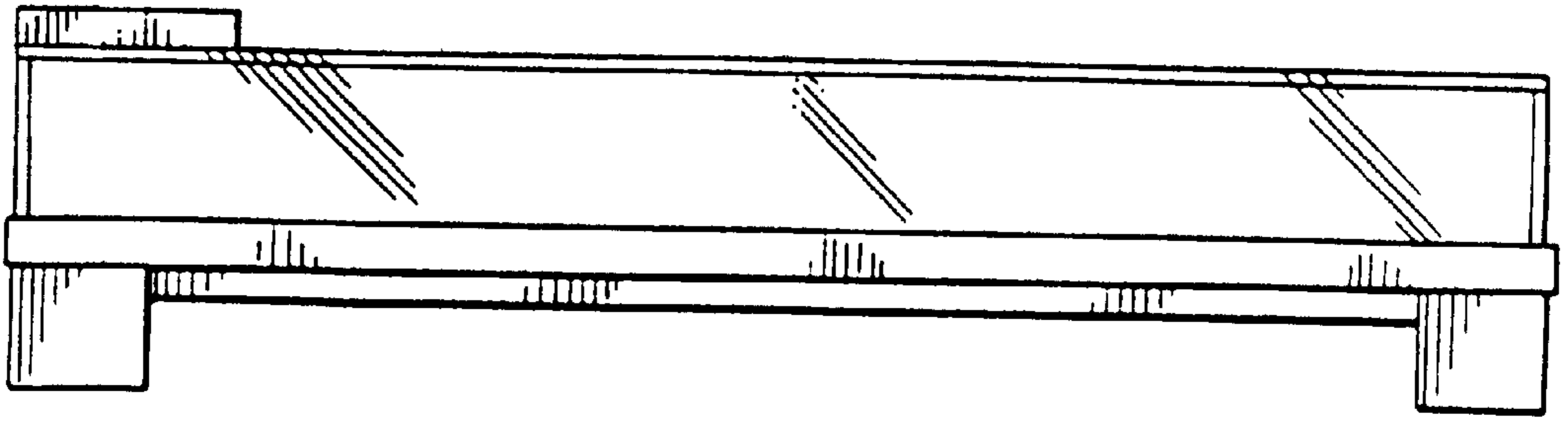
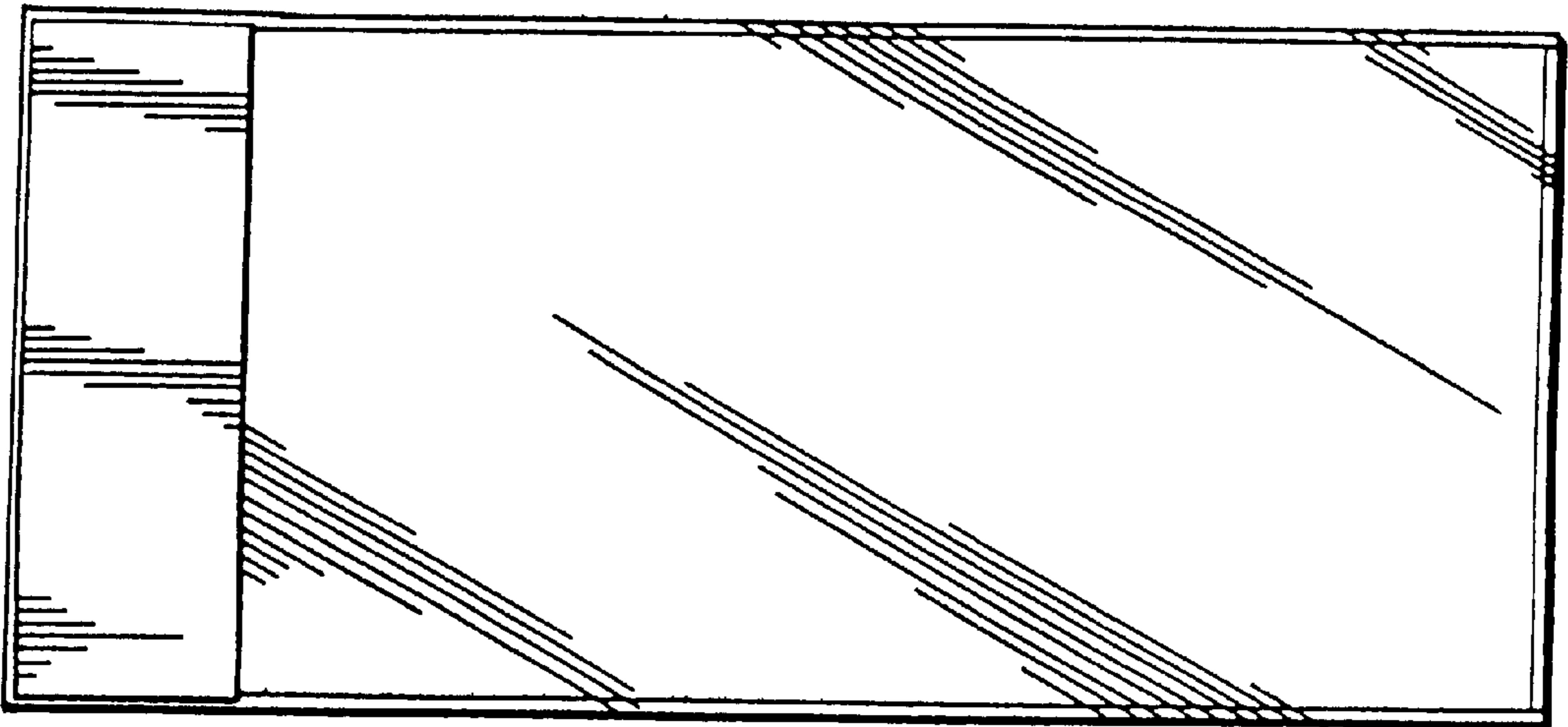


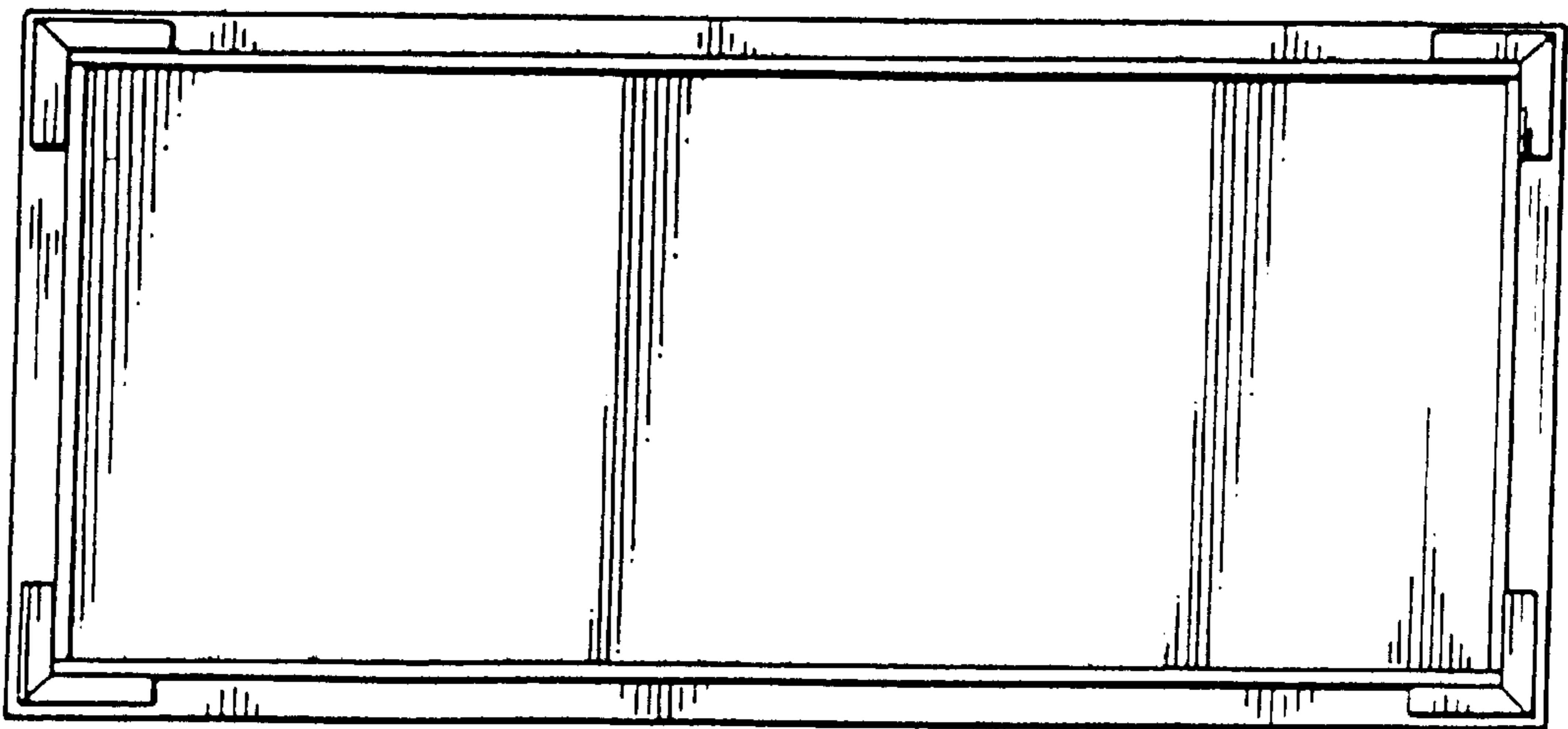
Fig. 2



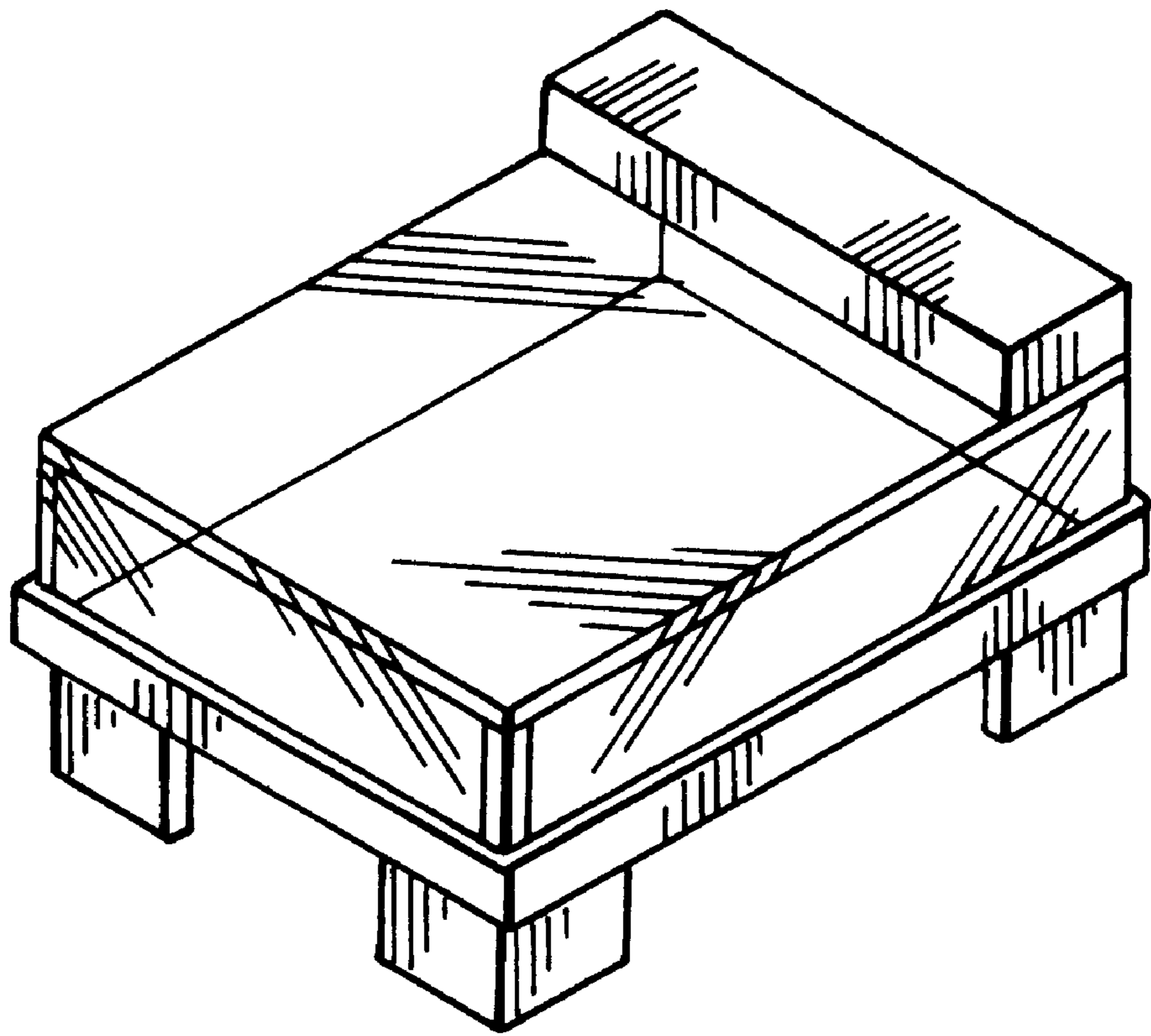
*Fig. 3*



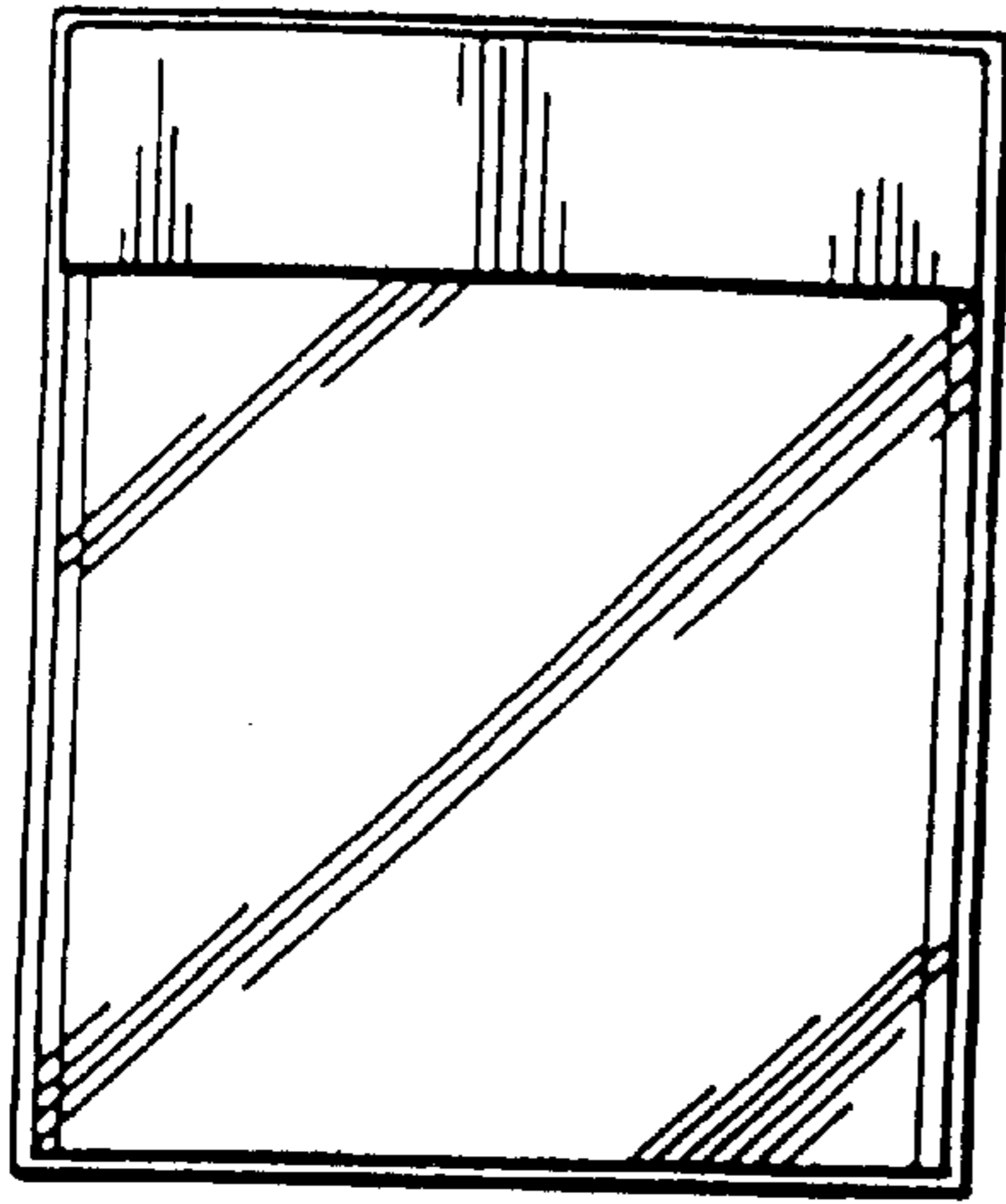
*Fig. 4*



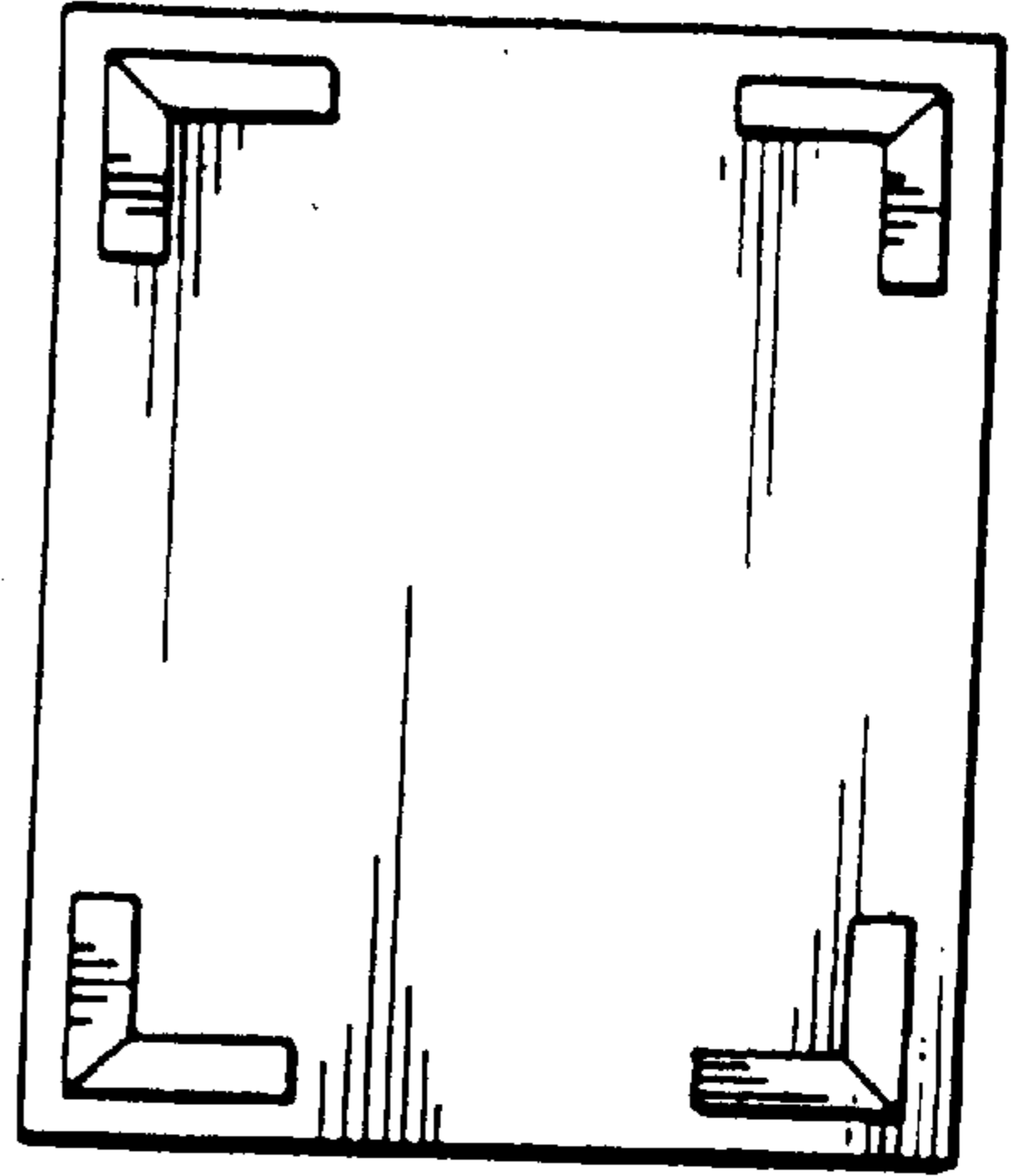
*Fig. 5*



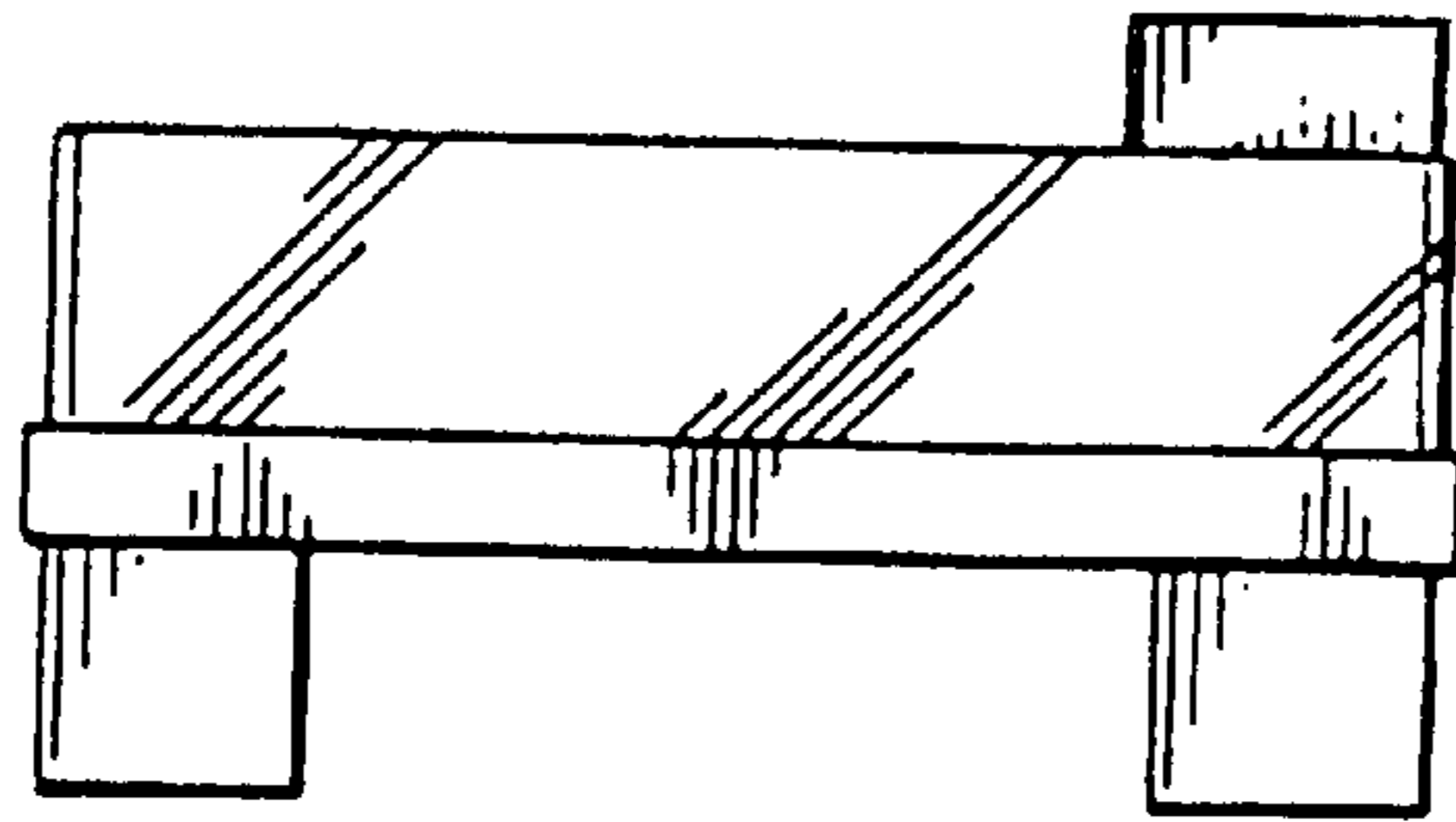
*Fig. 6*



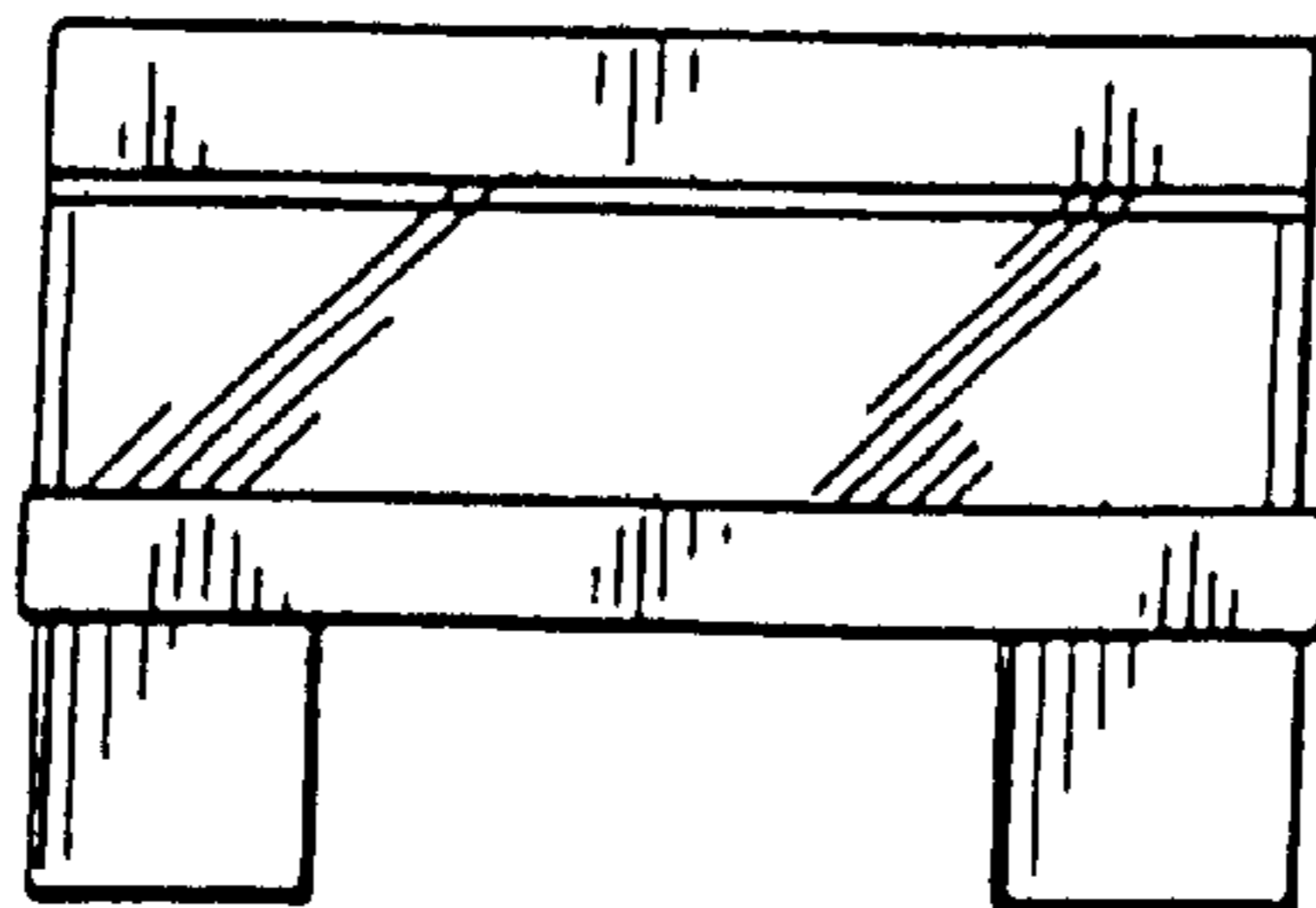
*Fig. 7*



*Fig. 8*



*Fig. 9*



*Fig. 10*