



US00D426029S

United States Patent [19] Lai

[11] Patent Number: **Des. 426,029**

[45] Date of Patent: **** May 30, 2000**

[54] **COSMETIC KIT**

[76] Inventor: **Chin Chun Lai**, No. 21 Pu Ting Road, Shinchu Shiang, Taiwan

[**] Term: **14 Years**

[21] Appl. No.: **29/095,651**

[22] Filed: **Oct. 27, 1998**

[51] **LOC (7) Cl.** **28-03**

[52] **U.S. Cl.** **D28/82**

[58] **Field of Search** D28/76-84, 91; D9/341, 347, 420, 423, 503, 504; D3/205, 273-275, 294, 295, 901; 132/286, 293-307, 314-316; 206/581, 823, 235, 1.7, 1.8, 81; 220/23.83, 23.88, 23.89

[56] **References Cited**

U.S. PATENT DOCUMENTS

| | | | | |
|------------|---------|---------------|-------|---------|
| D. 52,793 | 12/1918 | Hoffman | | D9/503 |
| D. 64,456 | 4/1924 | Karpeles | | D9/503 |
| D. 158,174 | 4/1950 | Busiel | | D28/76 |
| D. 215,766 | 10/1969 | Dusek | | D19/35 |
| D. 228,157 | 8/1973 | Sussman | | D28/82 |
| D. 313,288 | 12/1990 | Bakic | | D28/77 |
| D. 332,328 | 1/1993 | Lombardi, Jr. | | D28/83 |
| D. 339,883 | 9/1993 | Madar | | D28/83 |
| D. 344,817 | 3/1994 | Chen | | D28/82 |
| D. 353,688 | 12/1994 | Wacker | | D28/82 |
| D. 363,569 | 10/1995 | Lai | | D28/82 |
| 1,583,120 | 5/1926 | Brenner | | 132/296 |
| 1,650,712 | 11/1927 | Heiter | | 132/294 |

OTHER PUBLICATIONS

Beauty Fashion Jan. 1986, cosmetic containers shown on p. 22.

Elizabeth Arden "Color Stories '91" advertisement, opened compact, Jan. 1991.

Hong Kong Trader Apr. 1991, p. 4: compact shown by arrow.

Hong Kong Enterprise Oct. 1995, p. 790, clockwise from upper left: item Nos. 9001, 9004, 9040, 9302.

Primary Examiner—Ted Shooman
Assistant Examiner—C Tuttle
Attorney, Agent, or Firm—Raymond Y. Chan; David & Raymond

[57] **CLAIM**

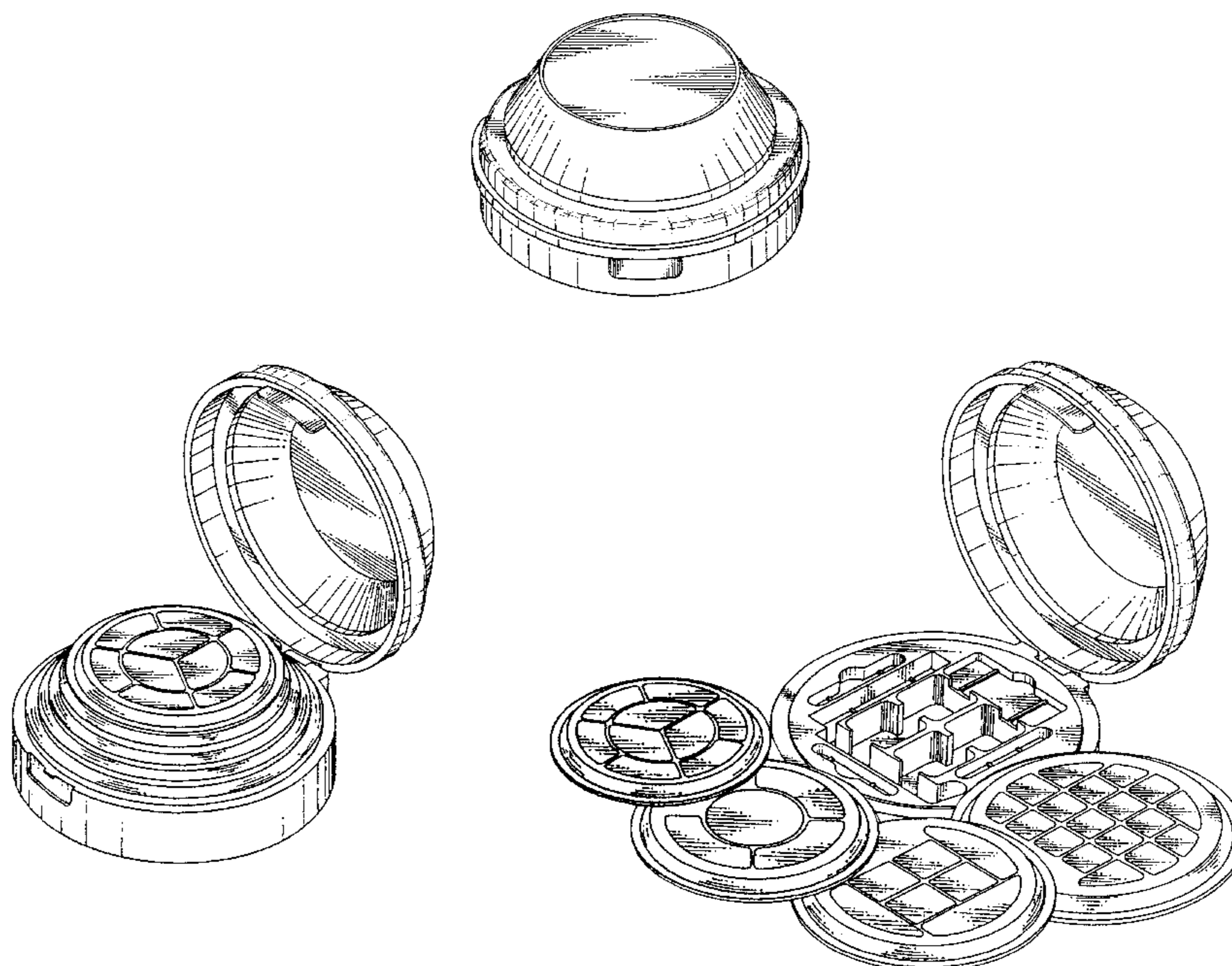
The ornamental design for a cosmetic kit, as shown and described.

DESCRIPTION

FIG. 1 is a front view of the present invention;
FIG. 2 is a rear view of the present invention;
FIG. 3 is a right side view of the present invention, the left side view being a mirror image thereof;
FIG. 4 is a top view of the present invention;
FIG. 5 is a bottom view of the present invention;
FIG. 6 is a perspective view showing my new design;
FIG. 7 is an opened perspective view of the present invention; and,
FIG. 8 is an opened perspective view of the present invention, showing the trays separated and removed from the base in order to show the various compartments.

The surface(s) or portion(s) of the article not shown in the drawing or described in the specification form(s) no part of the claimed design.

1 Claim, 5 Drawing Sheets



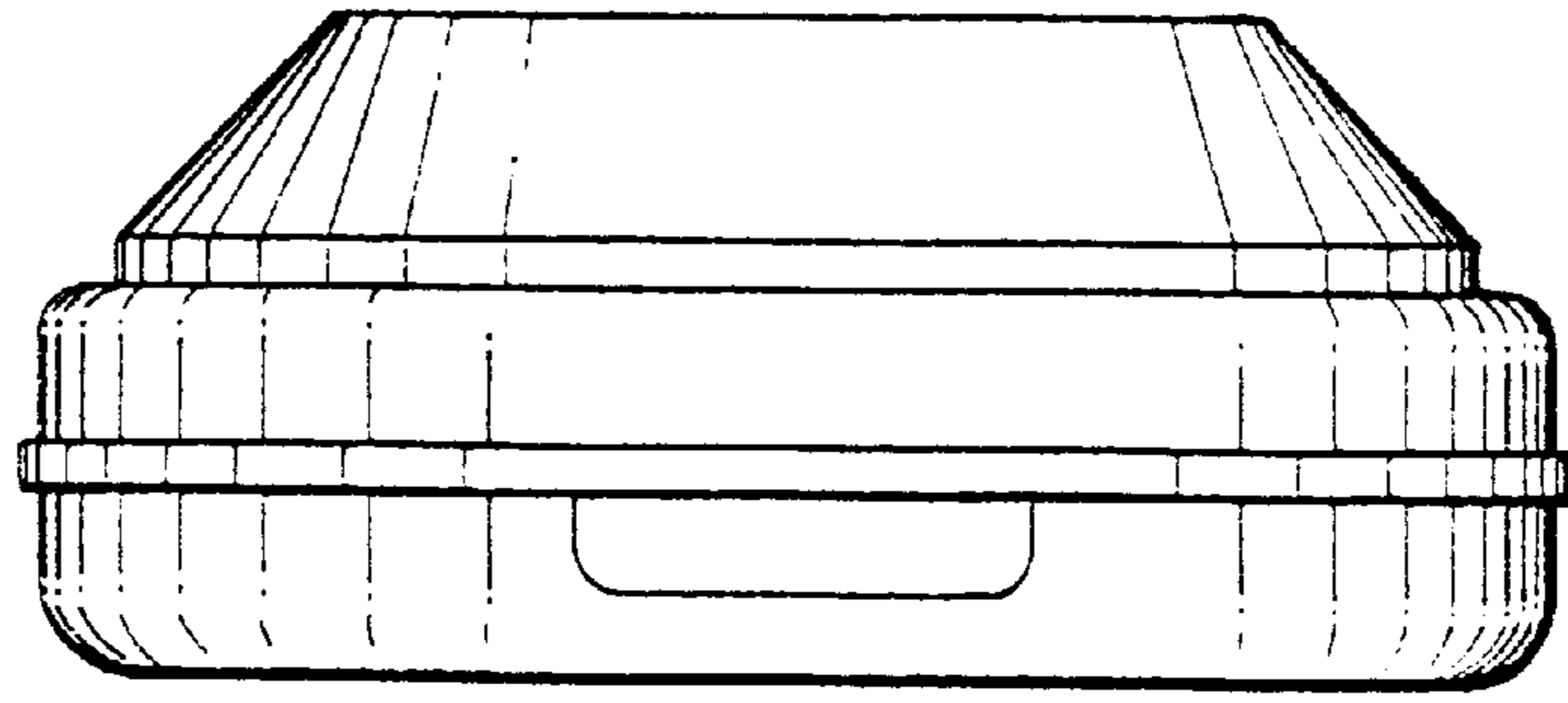


Fig. 1

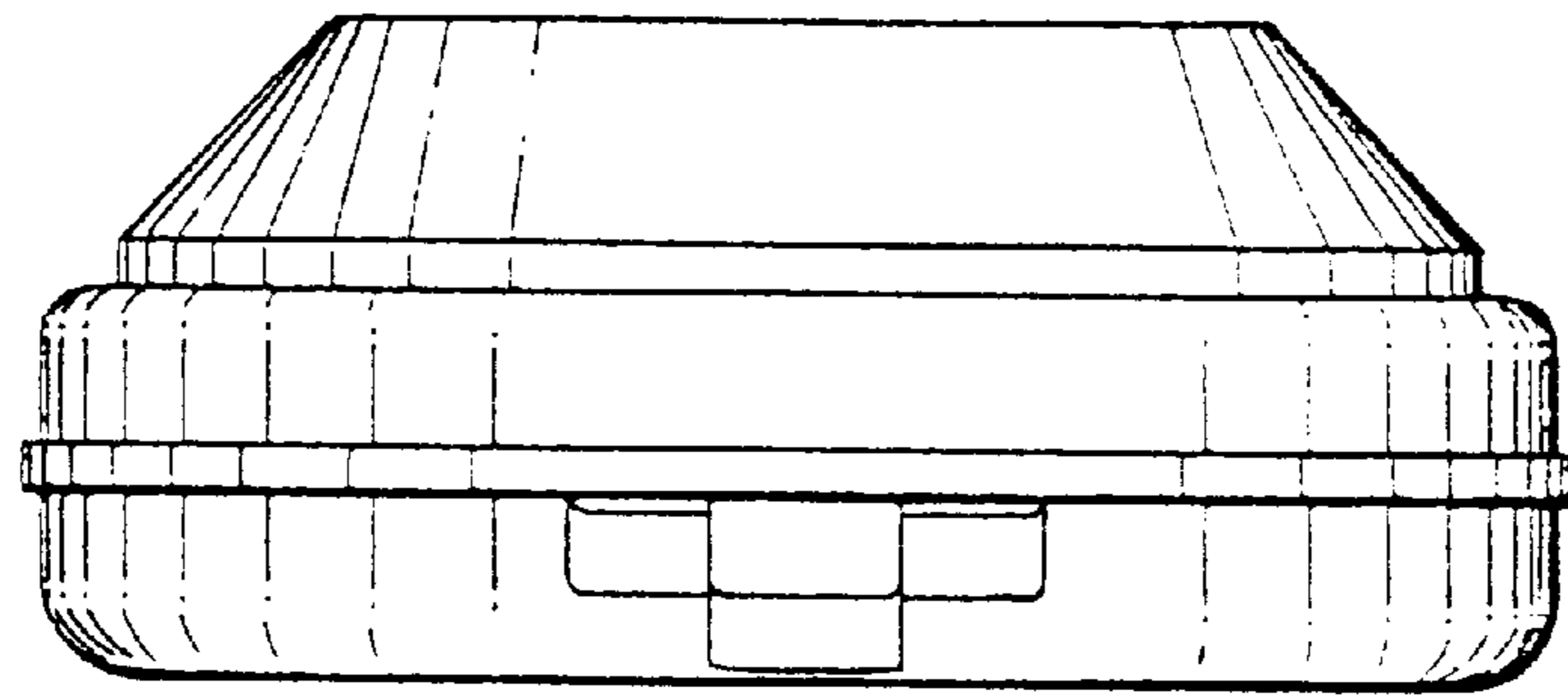


Fig. 2

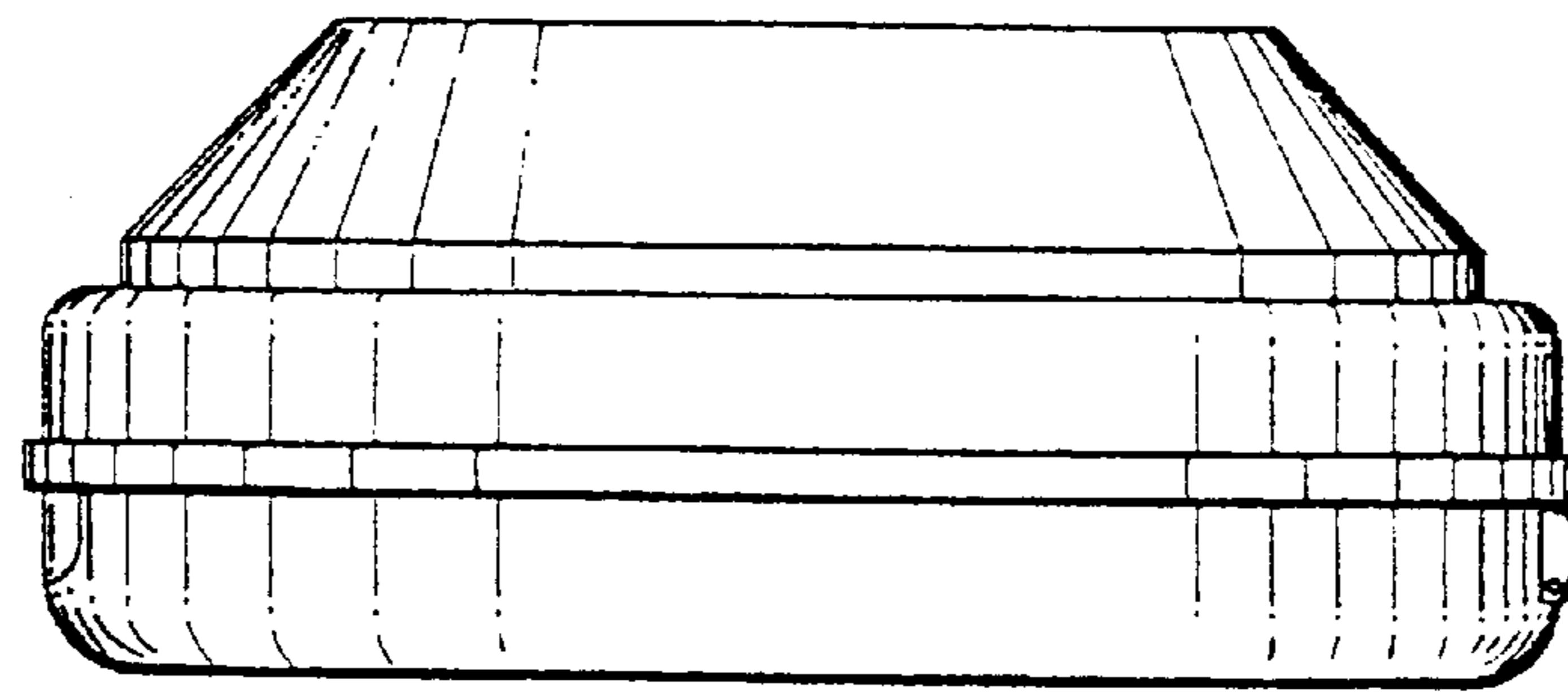


Fig. 3

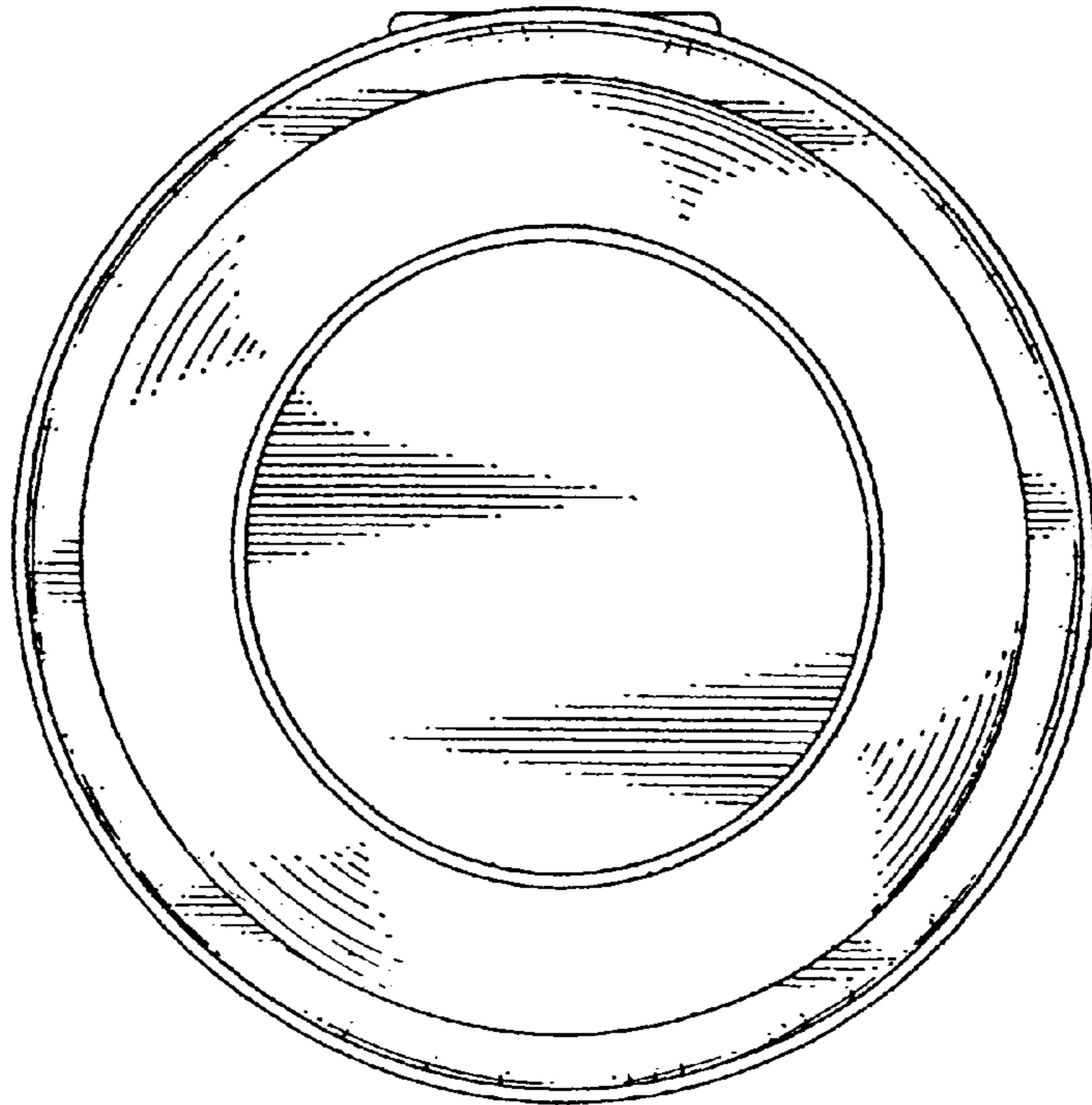


Fig.4

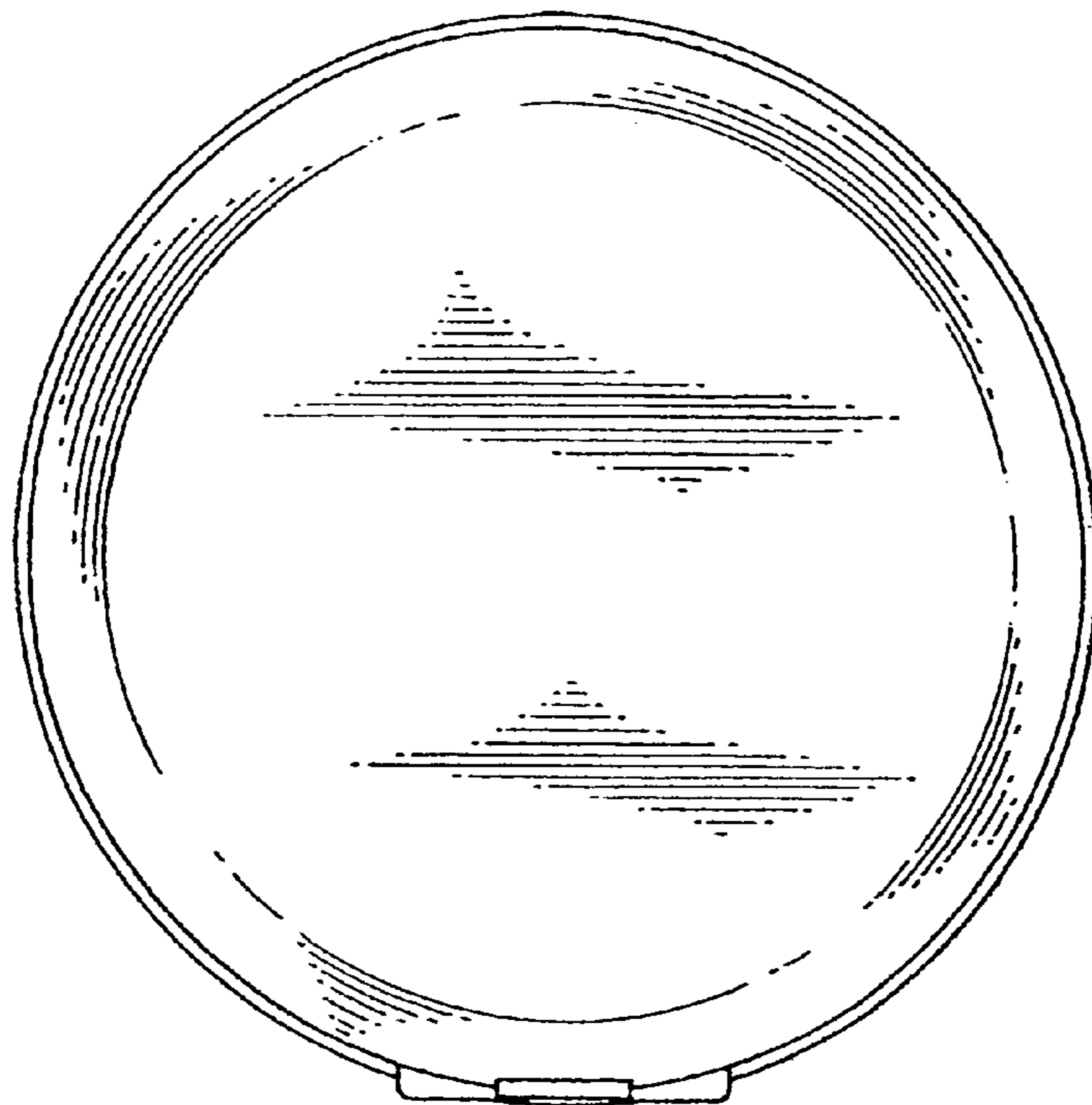


Fig.5

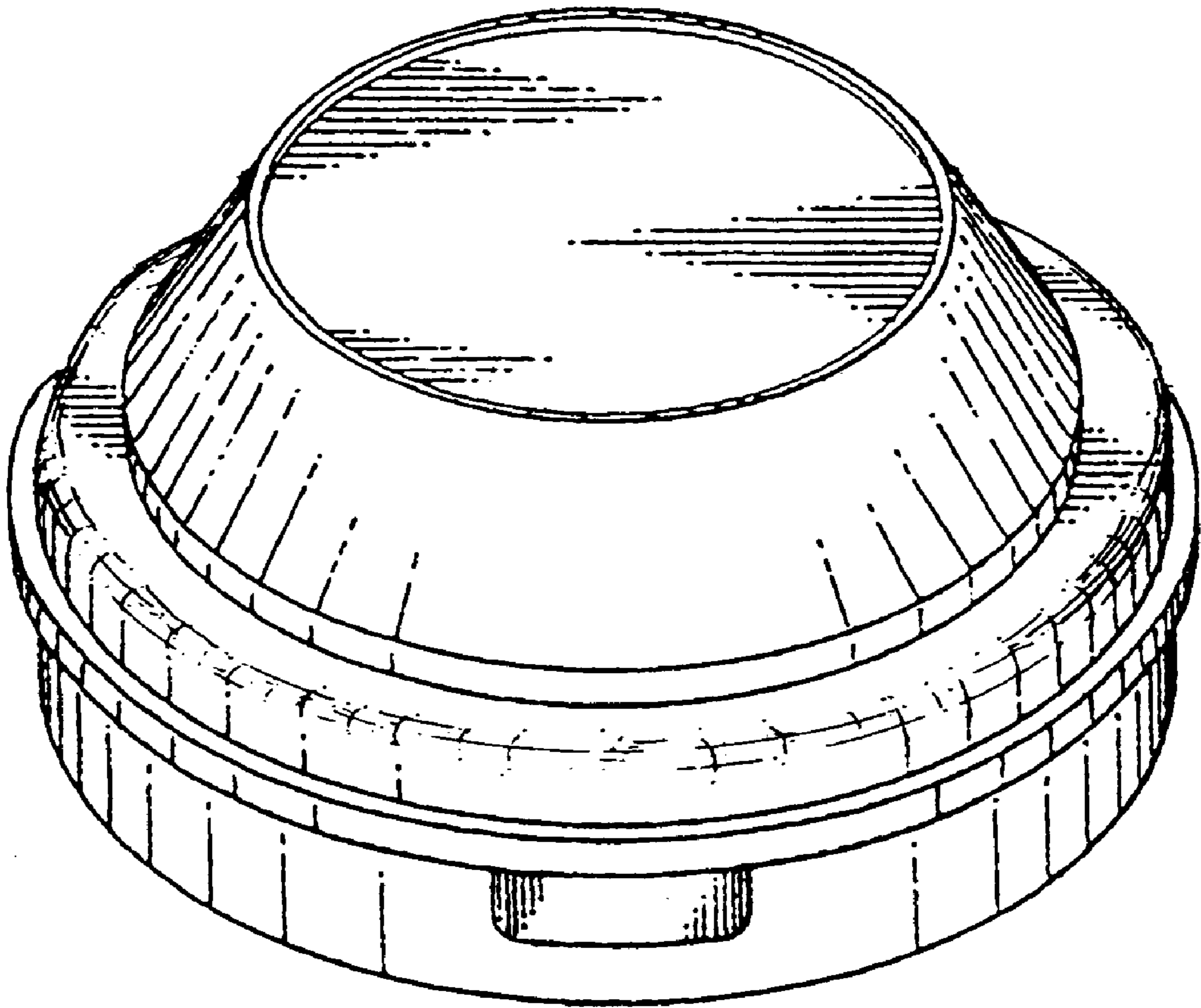


Fig.6

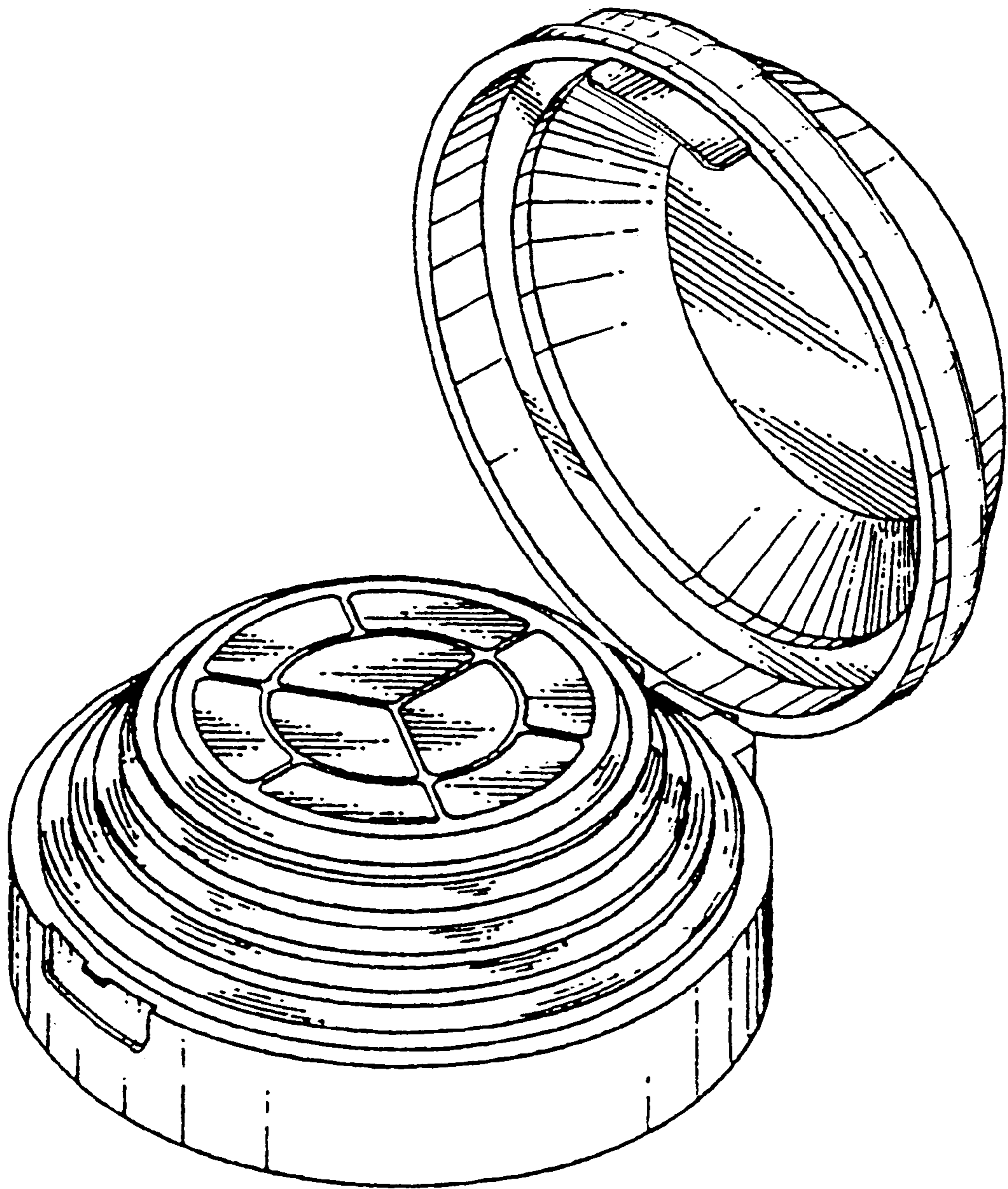


Fig. 7

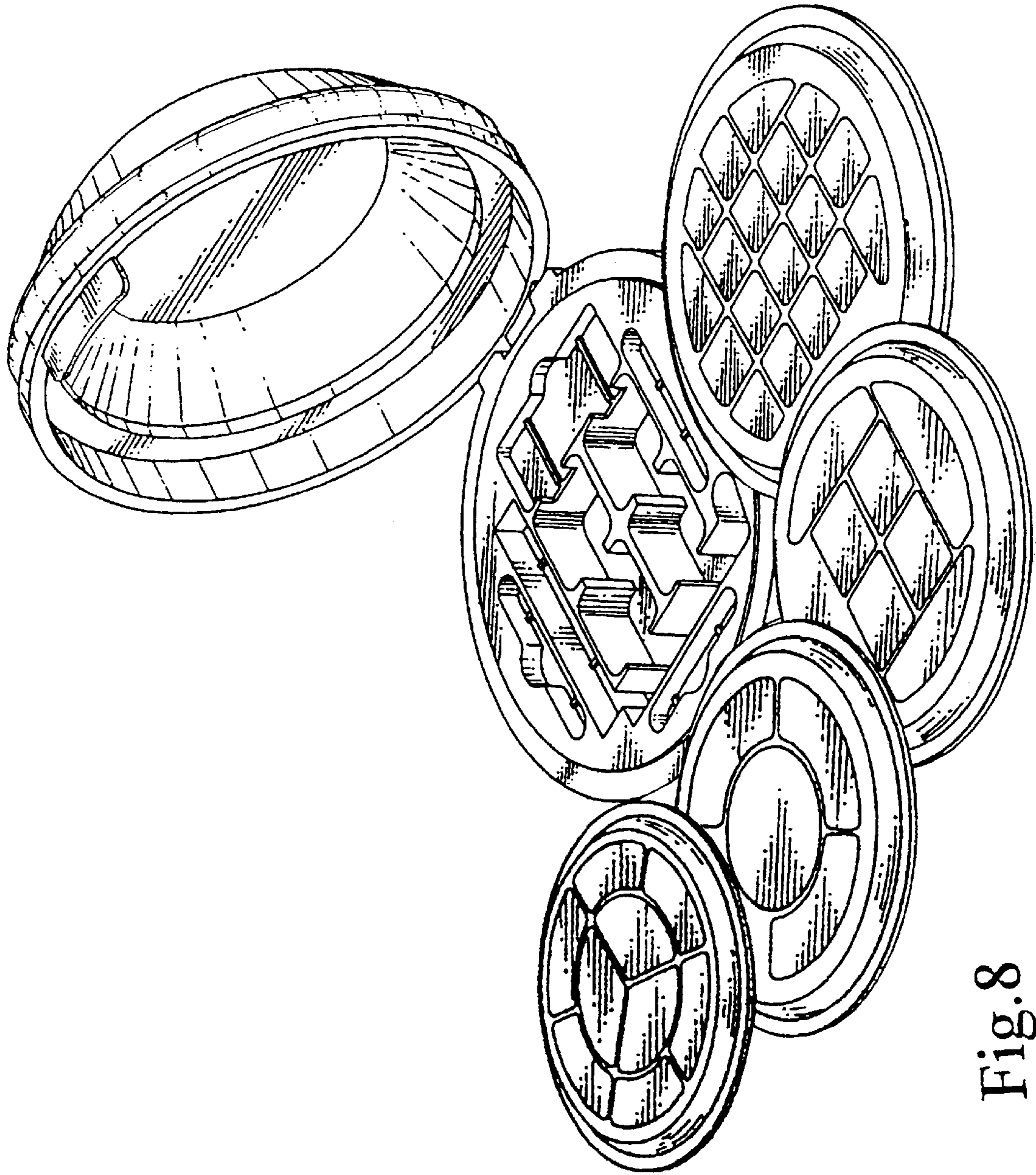


Fig. 8